

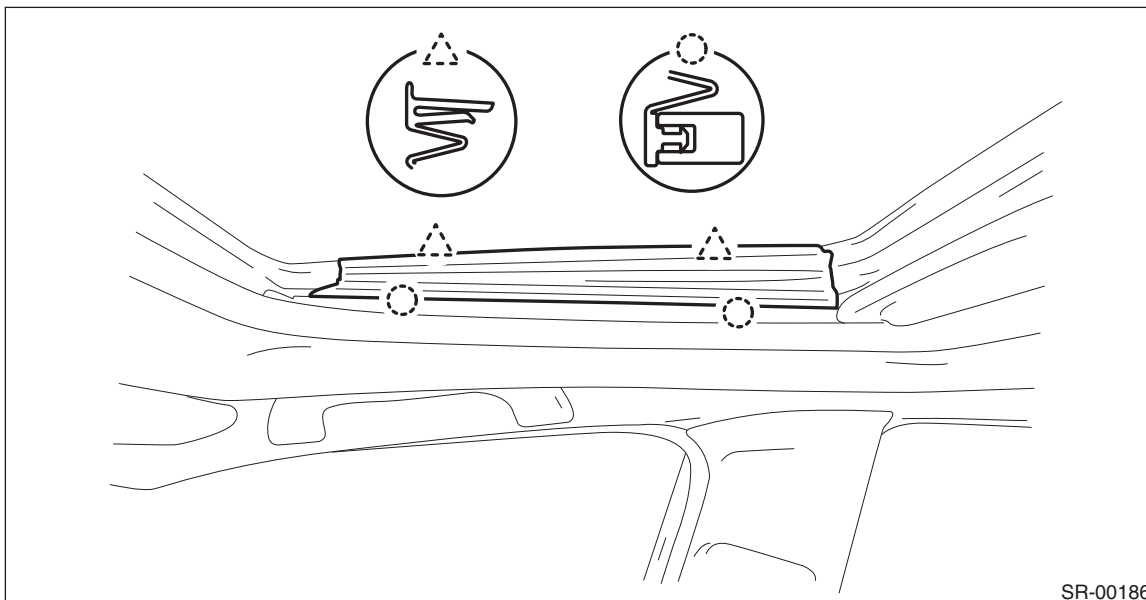
## 5. Sunroof Assembly

### A: REMOVAL

#### CAUTION:

When removing the clip, use great care not to damage the roof trim.

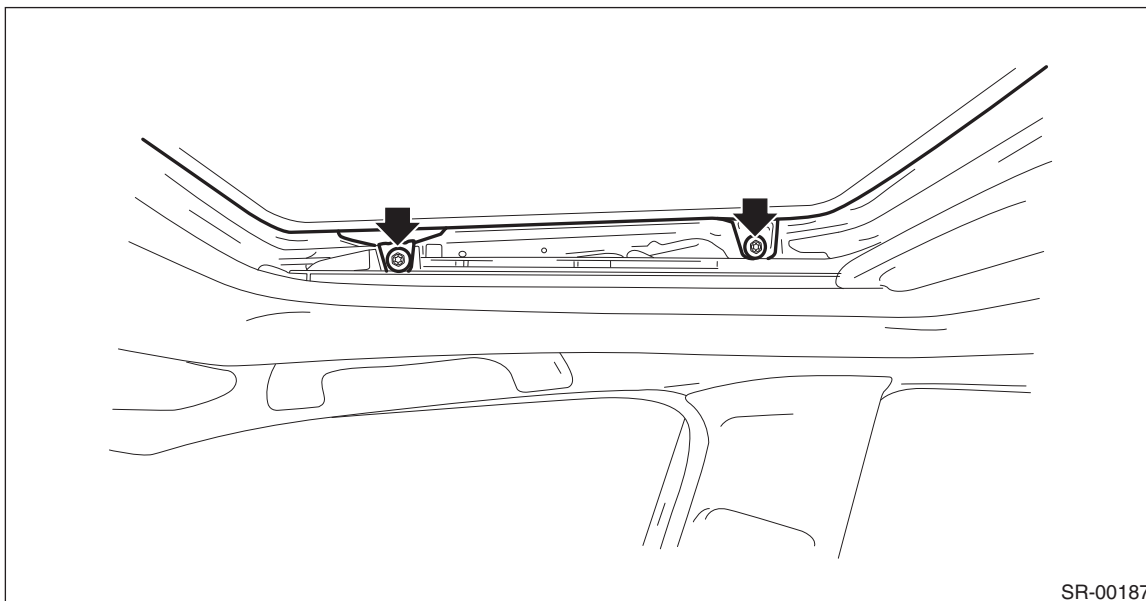
- 1) Remove the glass lid.
  - (1) Completely close the glass lid, and then open the sunshade.
  - (2) Disconnect the claws and then remove the lid cover.



- (3) Remove the bolts, then remove the glass lid.

#### CAUTION:

Be careful not to damage the glass lid.

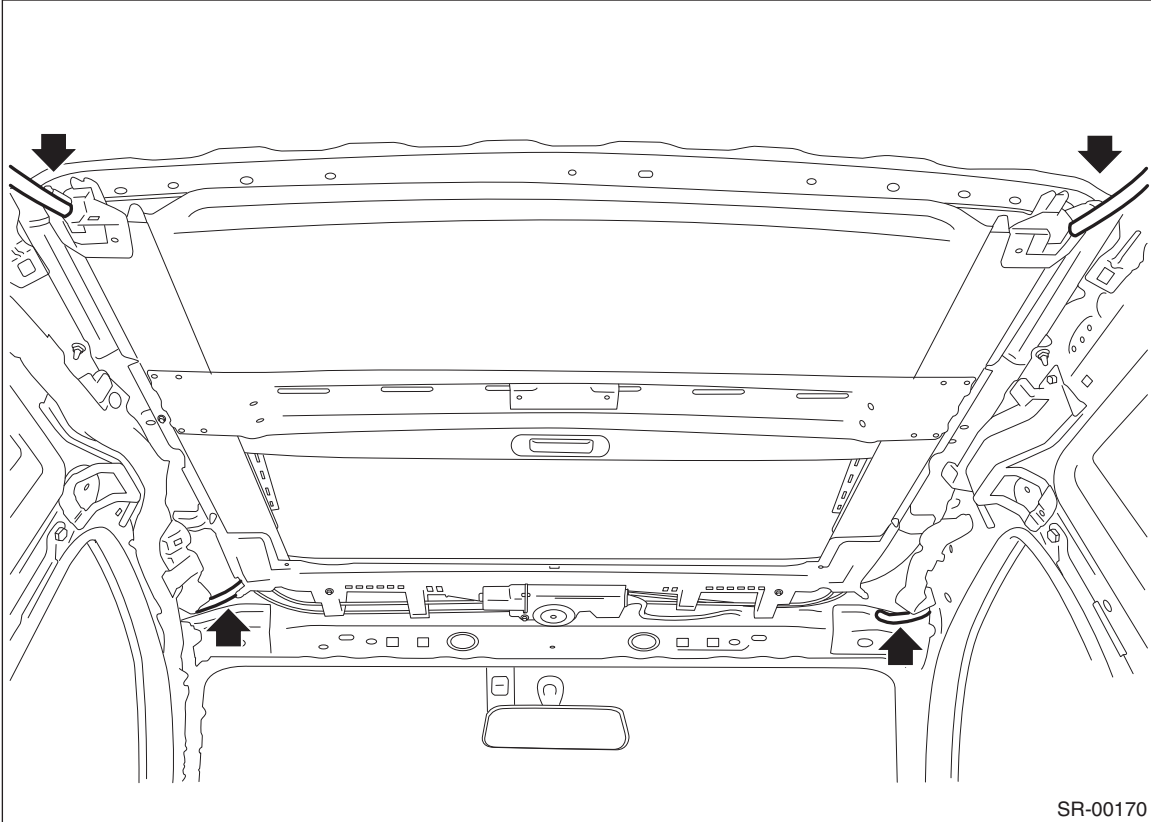


- 2) Remove the roof trim. <Ref. to EI-131, REMOVAL, Roof Trim.>
- 3) Disconnect the sunroof motor connector.
- 4) Remove the frame assembly.

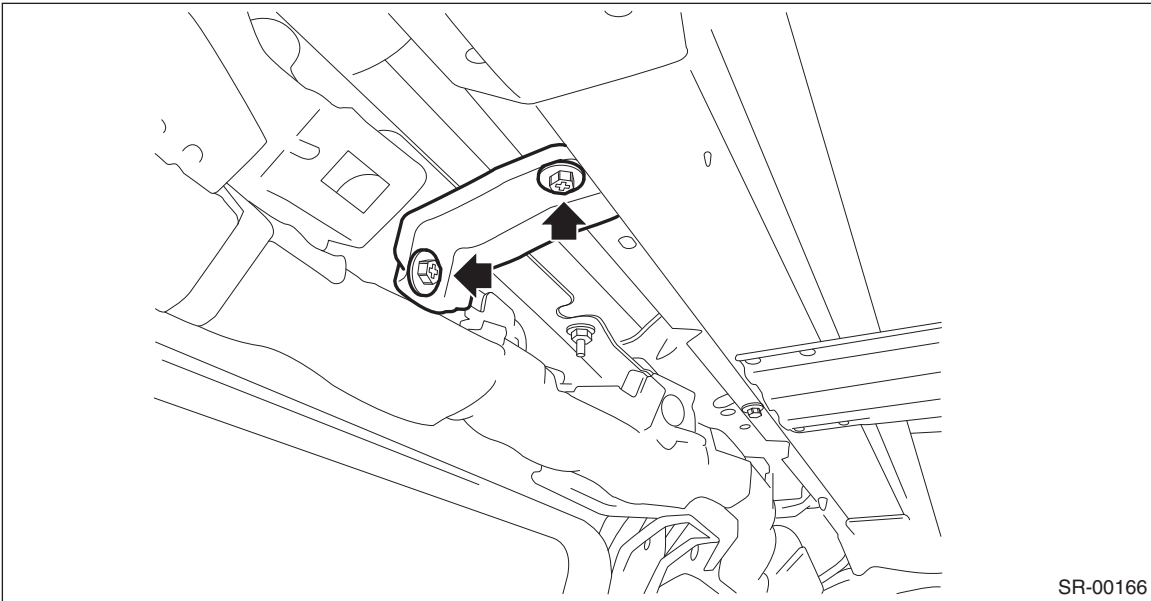
# Sunroof Assembly

## SUNROOF/T-TOP/CONVERTIBLE TOP (SUNROOF)

(1) Remove the drain tube.



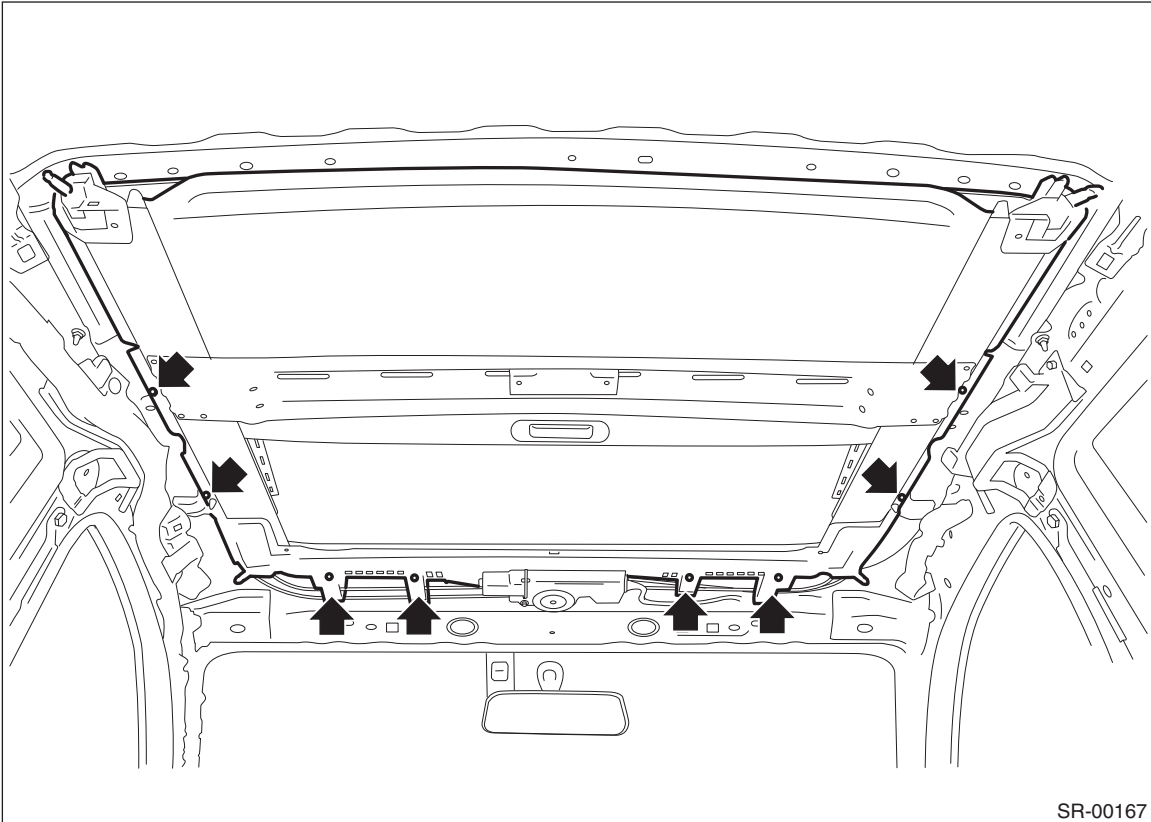
(2) Remove the bolts and then remove the sunroof bracket.



# Sunroof Assembly

SUNROOF/T-TOP/CONVERTIBLE TOP (SUNROOF)

(3) Remove the bolts, then remove the frame assembly.



## B: INSTALLATION

### CAUTION:

**Be careful not to snag the harness.**

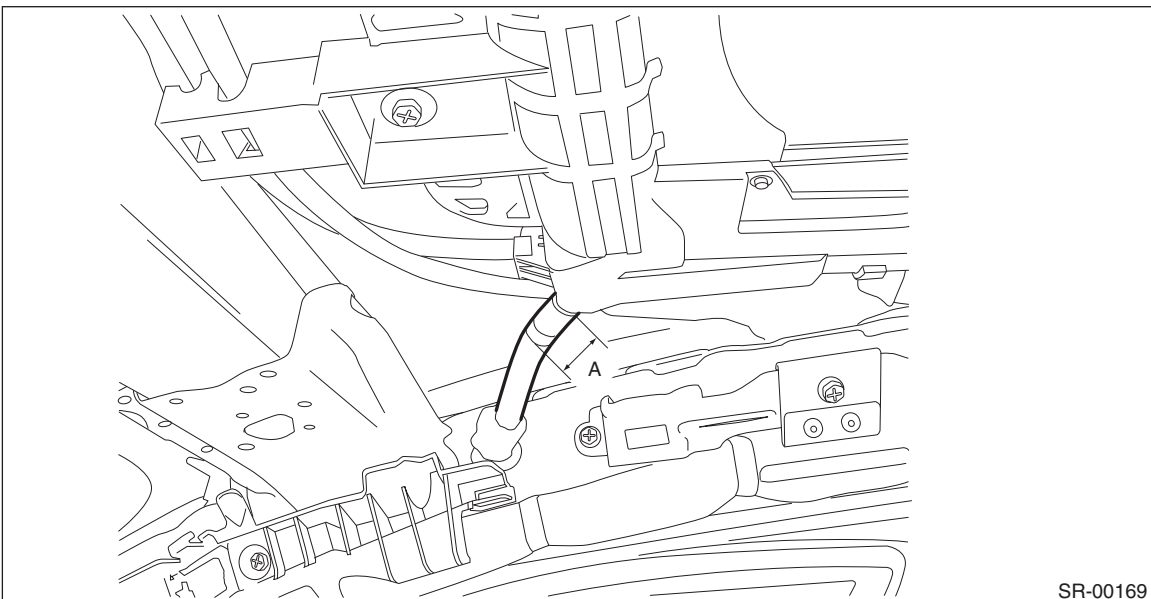
Install each part in the reverse order of removal.

### NOTE:

- Be sure to connect the harness connector.
- When installing the drain tube, insert it securely into drain pipe.

### Length A:

*15 mm (0.59 in) or more*

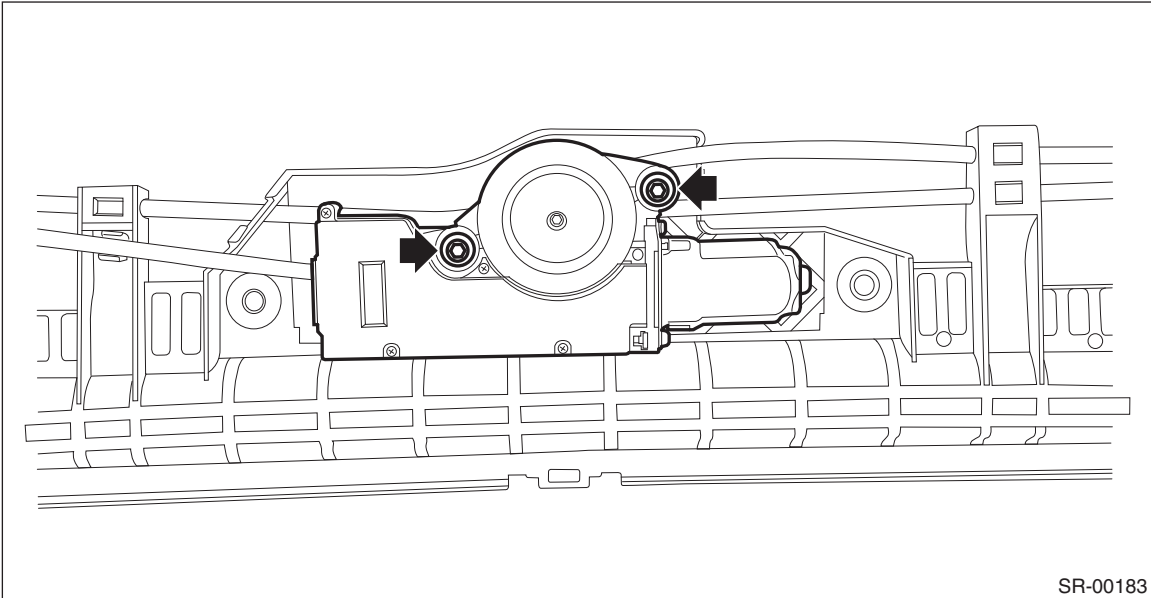


# Sunroof Assembly

SUNROOF/T-TOP/CONVERTIBLE TOP (SUNROOF)

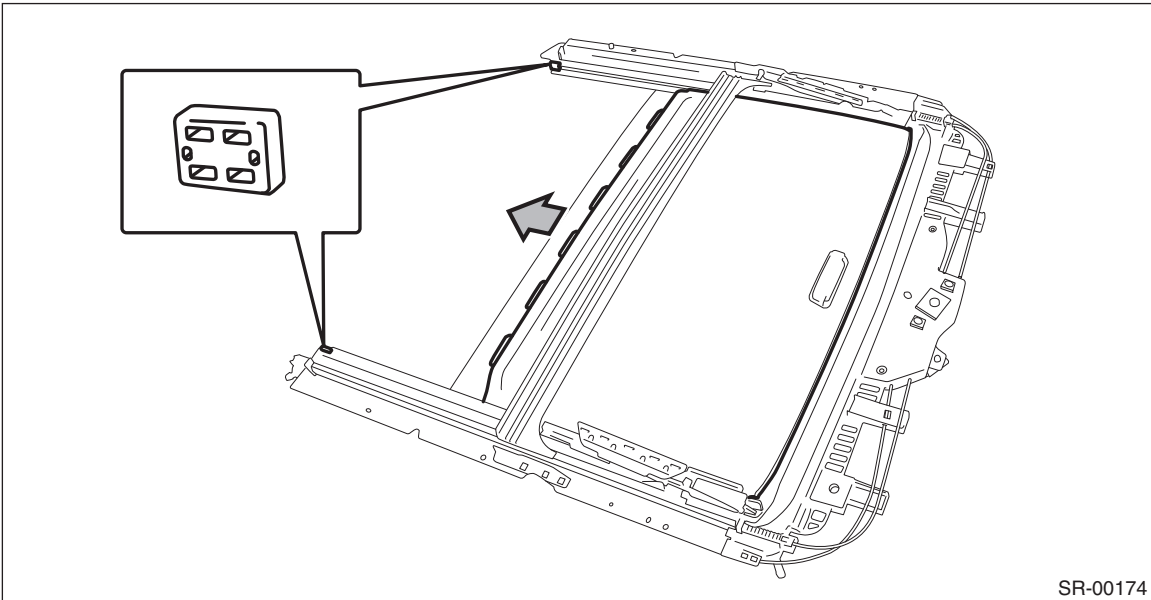
## C: DISASSEMBLY

1) Remove the bolts and then remove the sunroof motor.



SR-00183

2) Remove the stopper rubber and pull out the sunshade from sunroof frame.



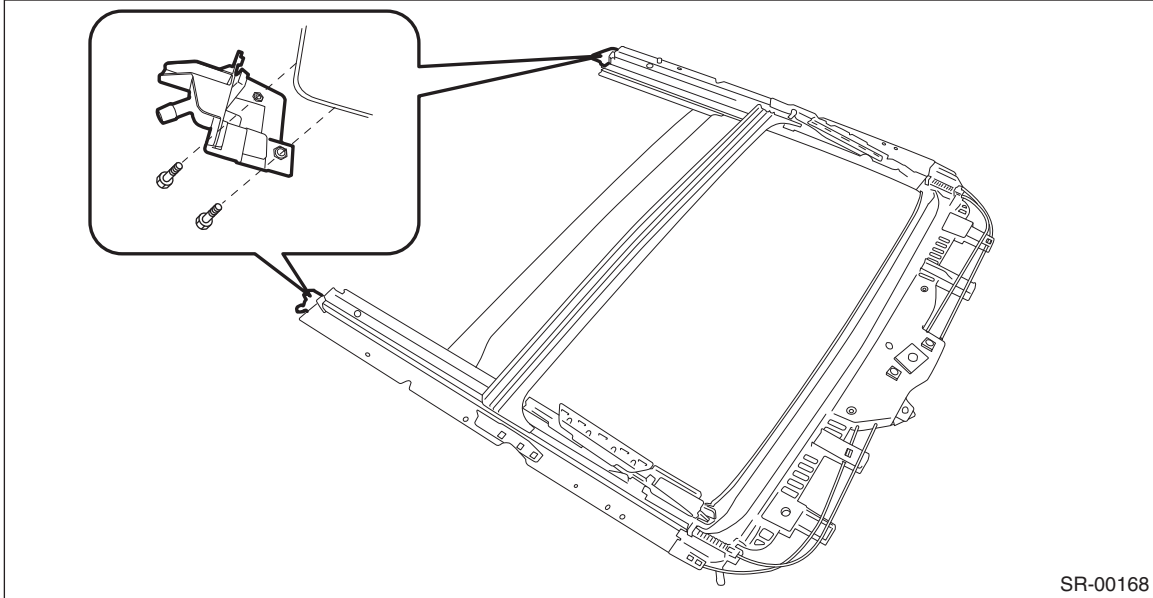
SR-00174

3) Remove the sunroof cable assembly.

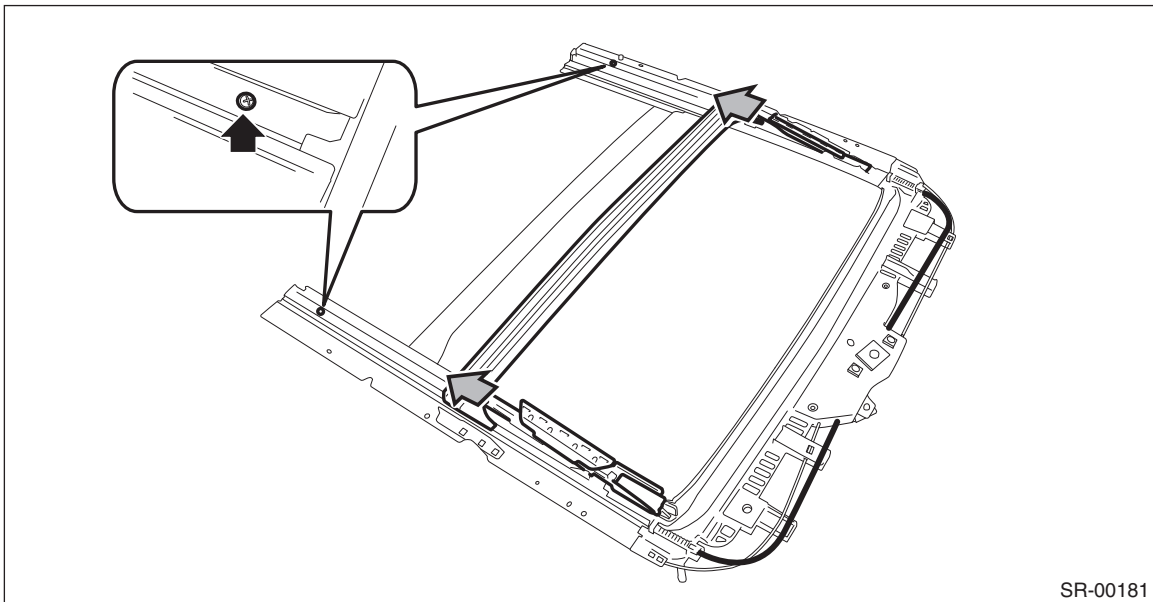
# Sunroof Assembly

SUNROOF/T-TOP/CONVERTIBLE TOP (SUNROOF)

- (1) Remove the screw and remove the drain holder.



- (2) Remove the screw and pull out the sunroof cable assembly from the frame roof assembly.



## D: ASSEMBLY

Install each part in the reverse order of removal.