

Sunshade

SUNROOF/T-TOP/CONVERTIBLE TOP (SUNROOF)

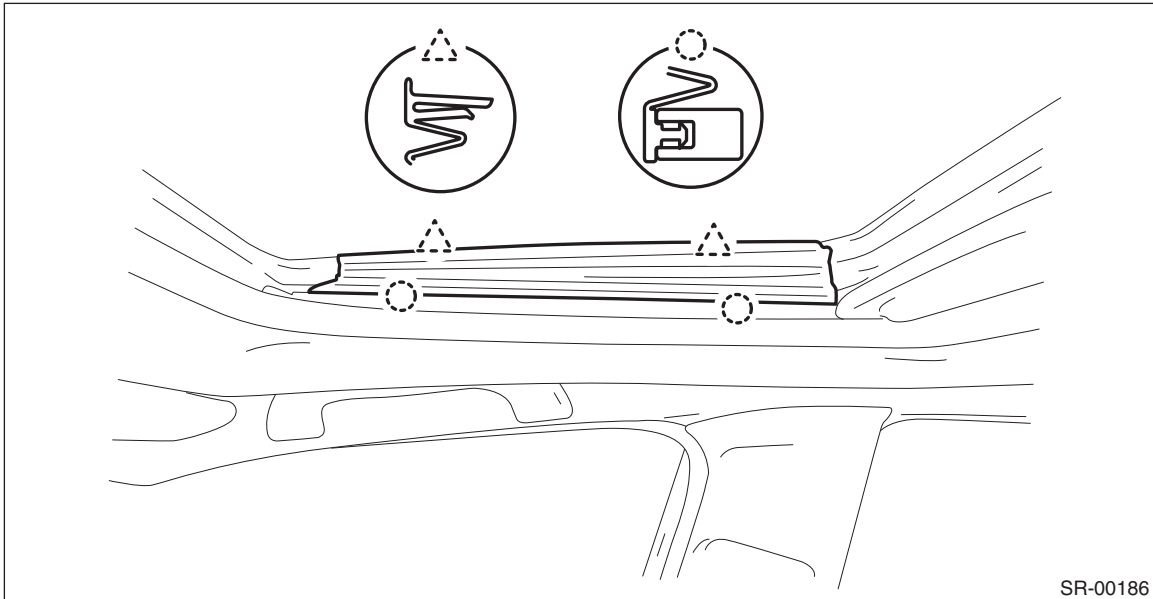
8. Sunshade

A: REMOVAL

CAUTION:

When removing the clip, use great care not to damage the roof trim.

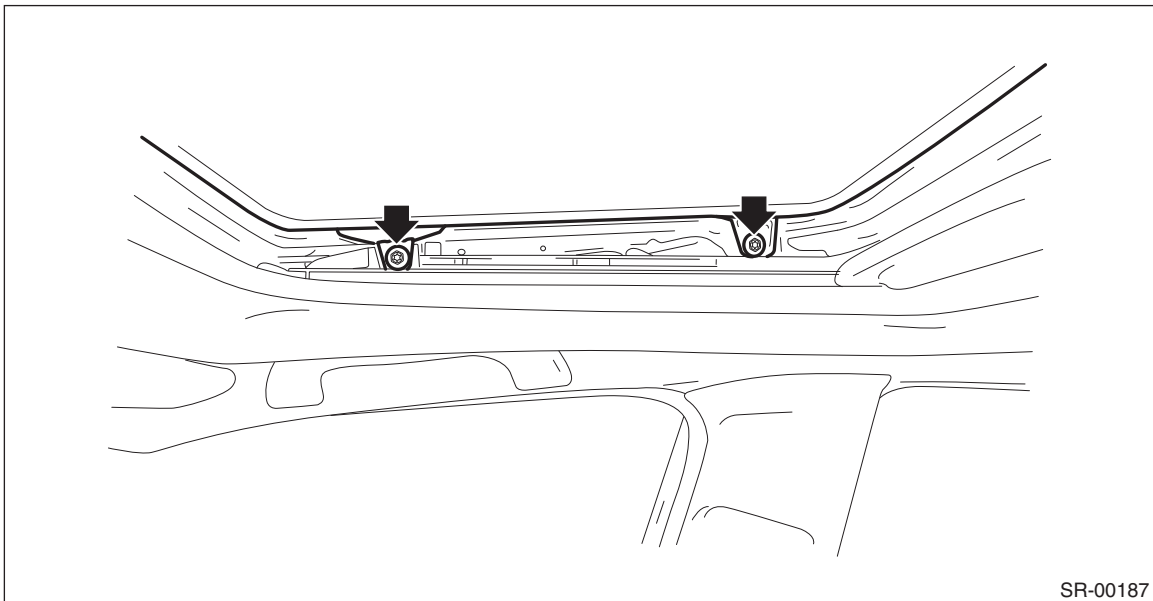
- 1) Remove the glass lid.
 - (1) Completely close the glass lid, and then open the sunshade.
 - (2) Disconnect the claws and then remove the lid cover.



- (3) Remove the bolts, then remove the glass lid.

CAUTION:

Be careful not to damage the glass lid.

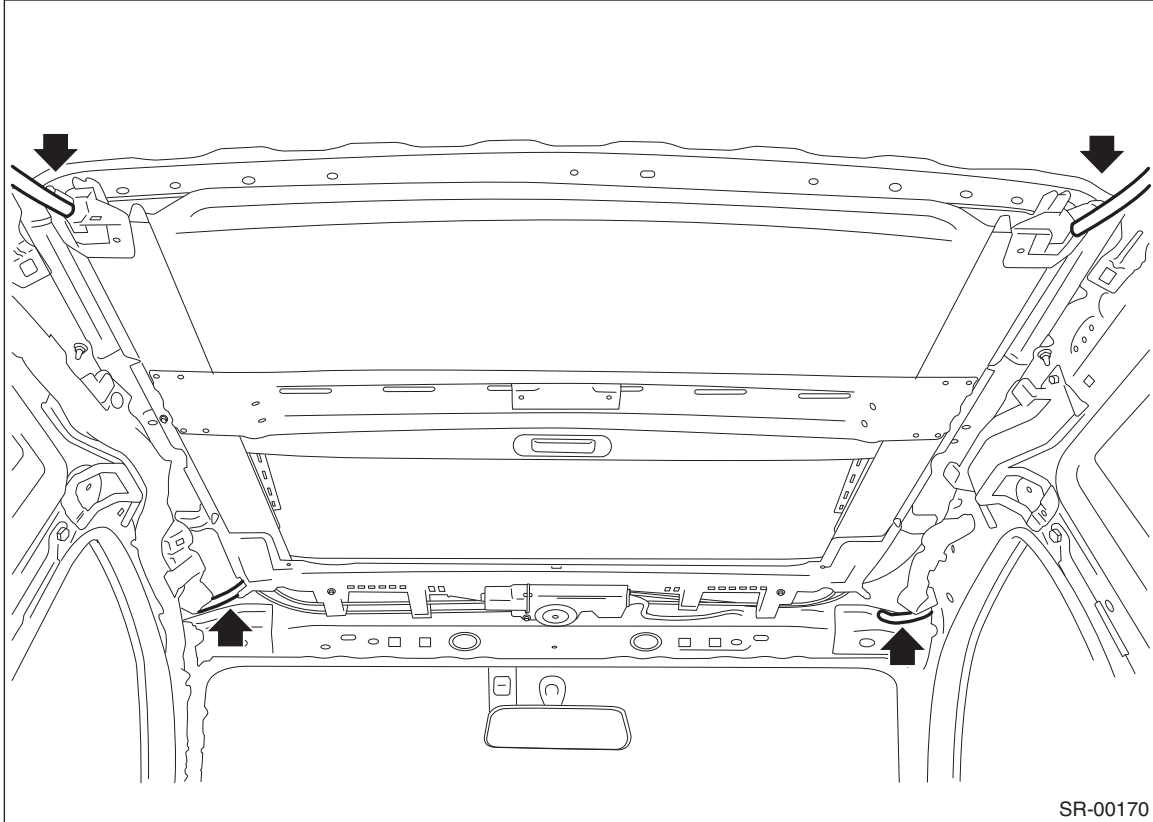


- 2) Remove the roof trim. <Ref. to EI-131, REMOVAL, Roof Trim.>
- 3) Disconnect the sunroof motor connector.
- 4) Remove the frame assembly.

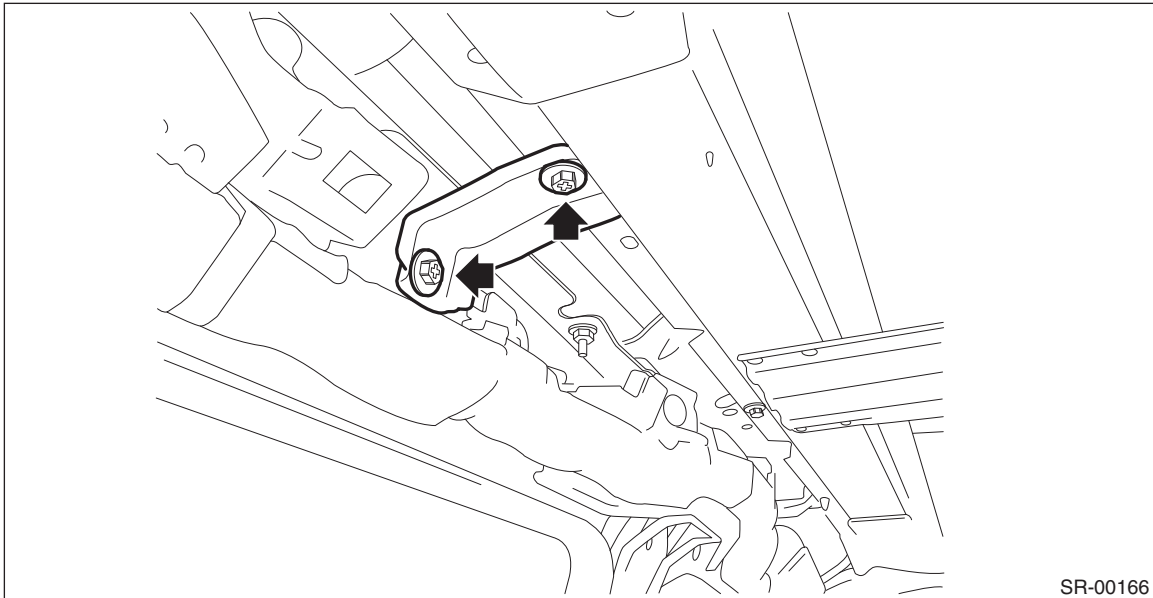
Sunshade

SUNROOF/T-TOP/CONVERTIBLE TOP (SUNROOF)

(1) Remove the drain tube.



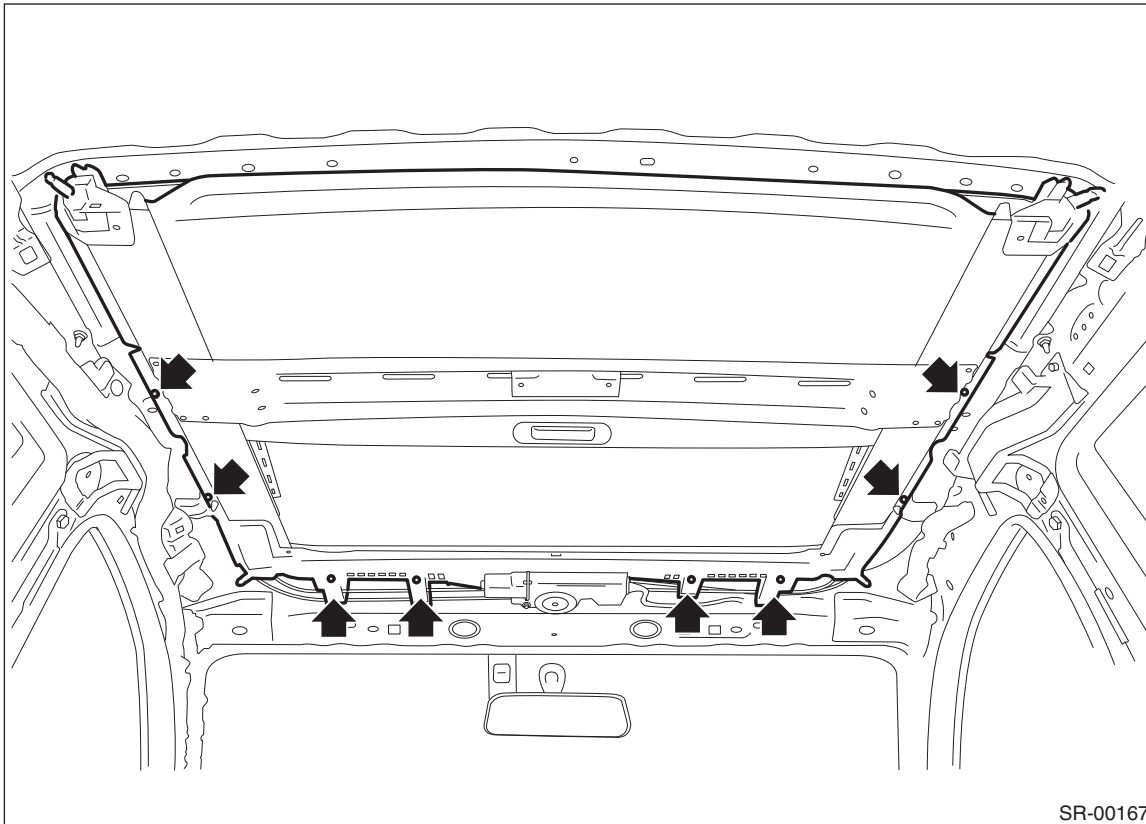
(2) Remove the bolts and then remove the sunroof bracket.



Sunshade

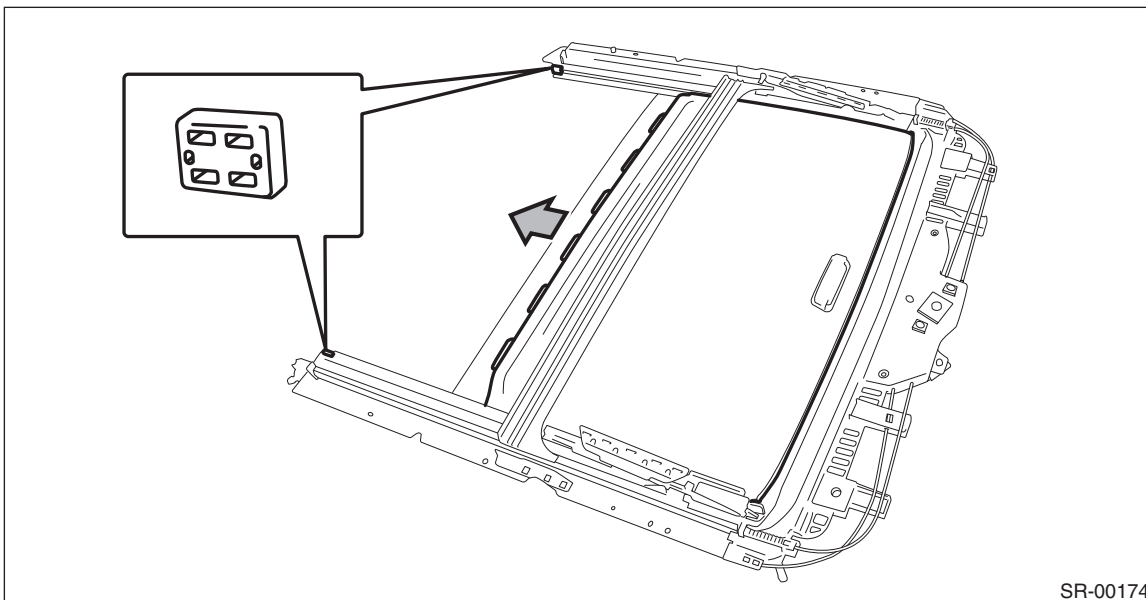
SUNROOF/T-TOP/CONVERTIBLE TOP (SUNROOF)

(3) Remove the bolts, then remove the frame assembly.



SR-00167

5) Remove the stopper rubber and pull out the sunshade from sunroof frame.



SR-00174

B: INSTALLATION

Install each part in the reverse order of removal.

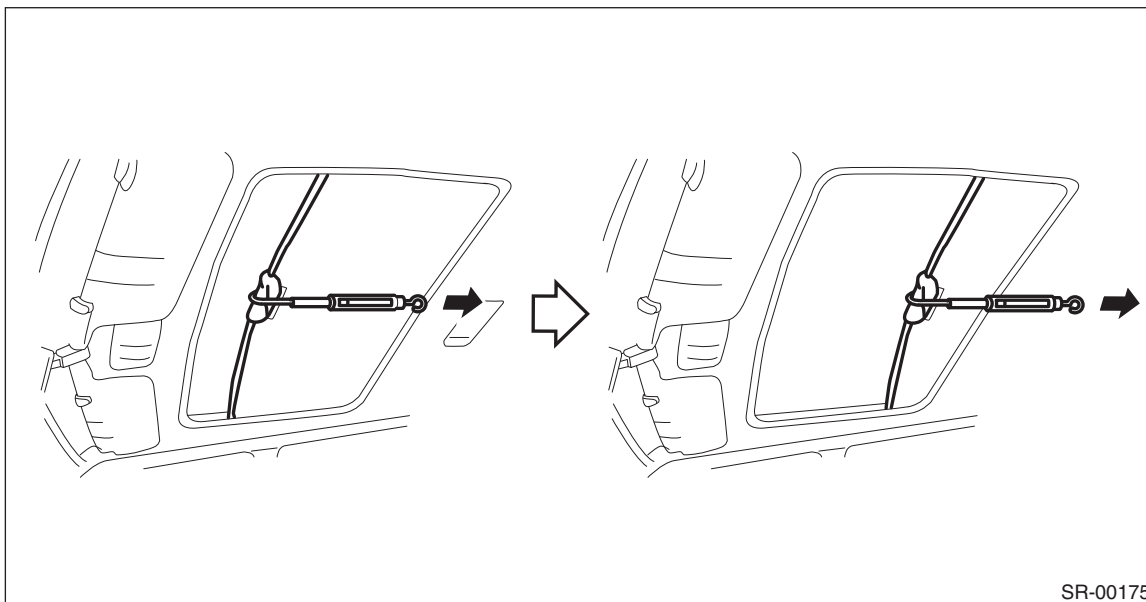
C: INSPECTION

1. CHECK FOR MOVING LOAD OF SUNSHADE

- 1) Attach a spring scale to sunshade edge using a cloth.
- 2) Pull the spring scale to measure moving load of the sunshade.

Moving load of sunshade:

14±6 N (1.43 kgf, 3.1 lbf±0.61 kgf, 1.3 lbf)



SR-00175

NOTE:

Moving load is larger at the beginning of pulling a spring scale, so take a spring scale reading while sunshade sliding smoothly.

- 3) If the inspection result exceeds the standard value, check if the installation to sunshade and frame assembly are sufficient, and replace if necessary.

Sunshade

SUNROOF/T-TOP/CONVERTIBLE TOP (SUNROOF)
