

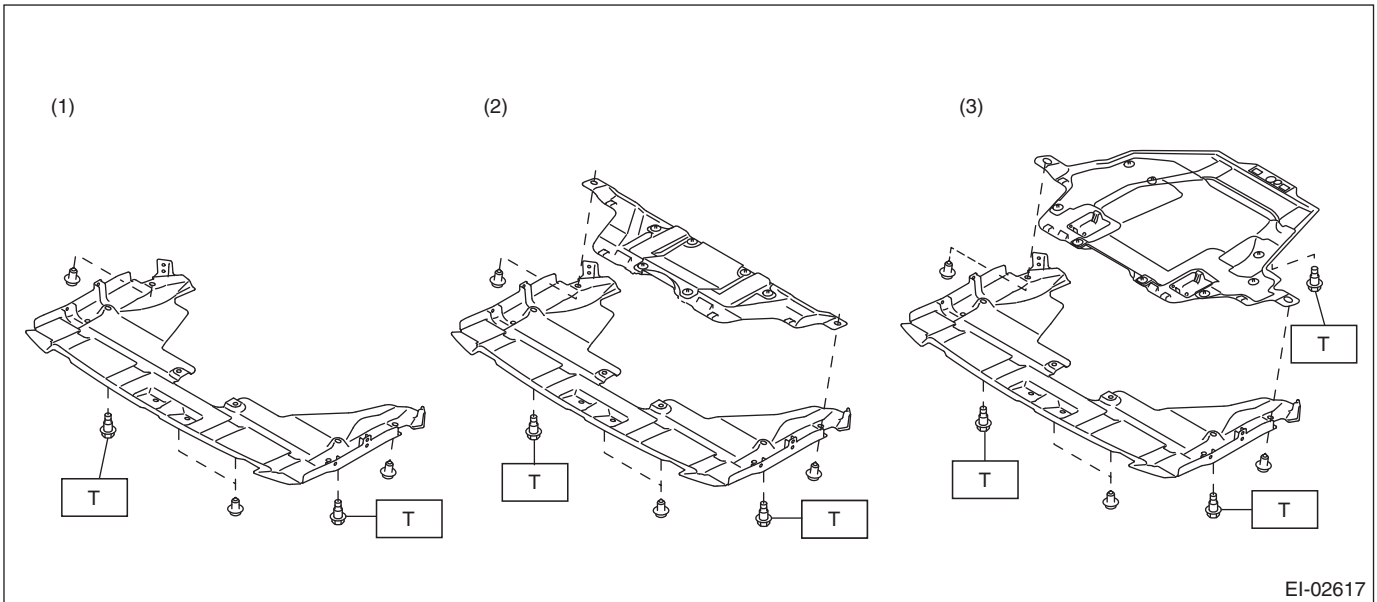
# General Description

EXTERIOR/INTERIOR TRIM

## 1. General Description

### A: COMPONENT

#### 1. FRONT UNDER COVER



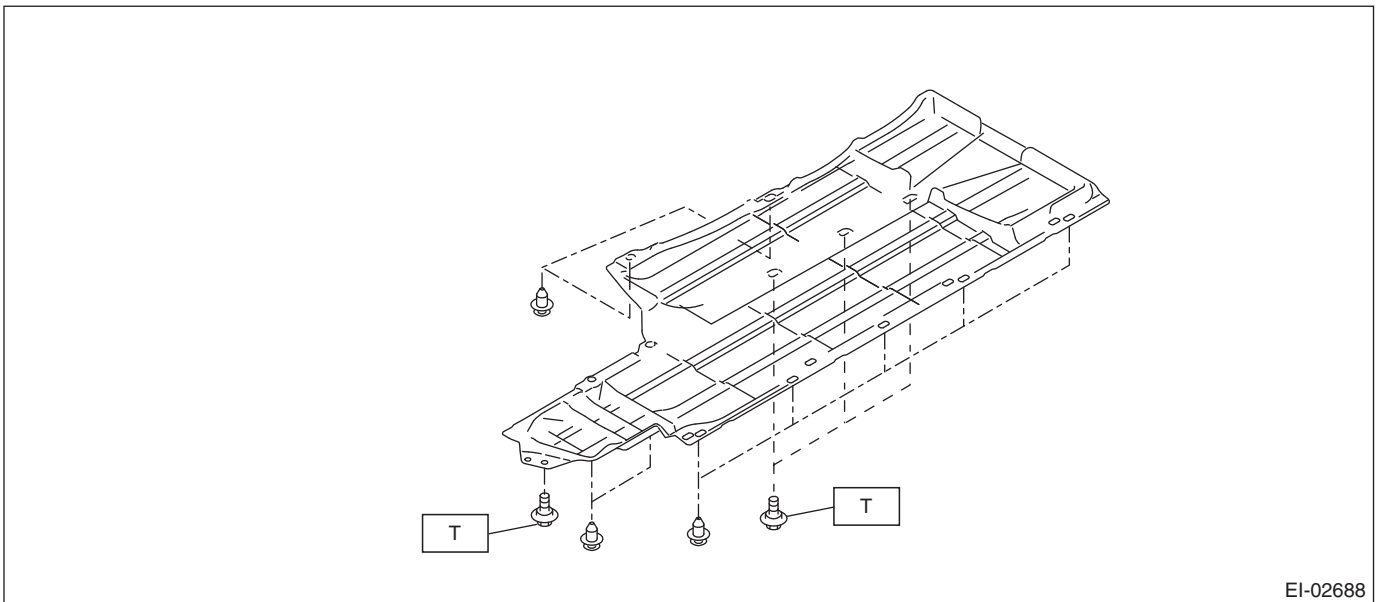
- (1) Small type
- (2) Medium type

- (3) Large type

**Tightening torque: N·m (kgf·m, ft·lb)**

**T: 17.5 (1.78, 12.9)**

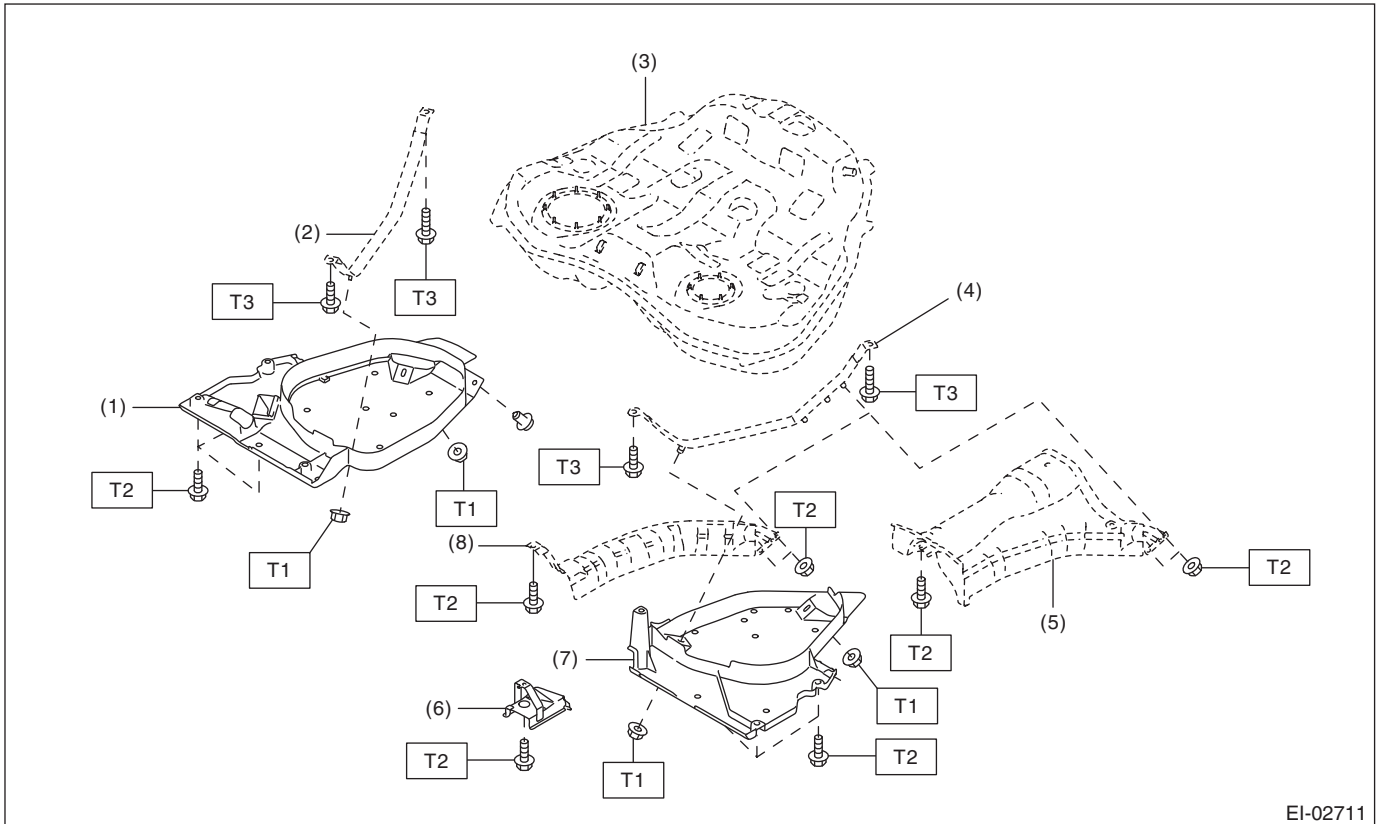
#### 2. FLOOR UNDER PROTECTOR



**Tightening torque: N·m (kgf·m, ft·lb)**

**T: 7.5 (0.76, 5.5)**

## 3. FUEL TANK PROTECTOR



- |                            |  |
|----------------------------|--|
| (1) Fuel tank protector RH | (5) Center heat shield cover (turbo model)     |
| (2) Fuel tank band ASSY RH | (6) Fuel tank bracket                          |
| (3) Fuel tank ASSY         | (7) Fuel tank protector LH                     |
| (4) Fuel tank band ASSY LH | (8) Center heat shield cover (non-turbo model) |

**Tightening torque: N·m (kgf·m, ft·lb)**

**T1: 9 (0.92, 6.6)**

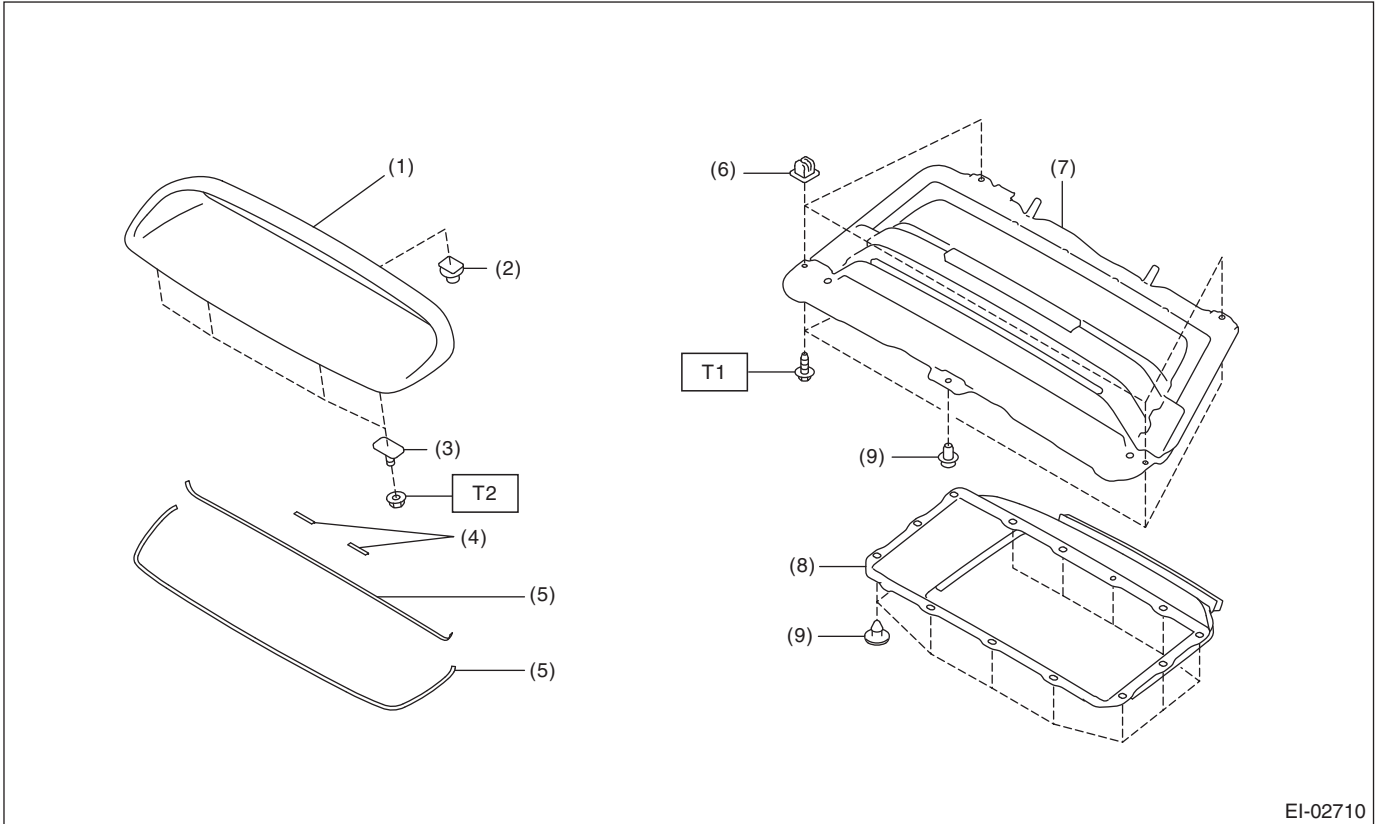
**T2: 18 (1.84, 13.3)**

**T3: 33 (3.36, 24.3)**

# General Description

EXTERIOR/INTERIOR TRIM

## 4. FRONT HOOD GRILLE



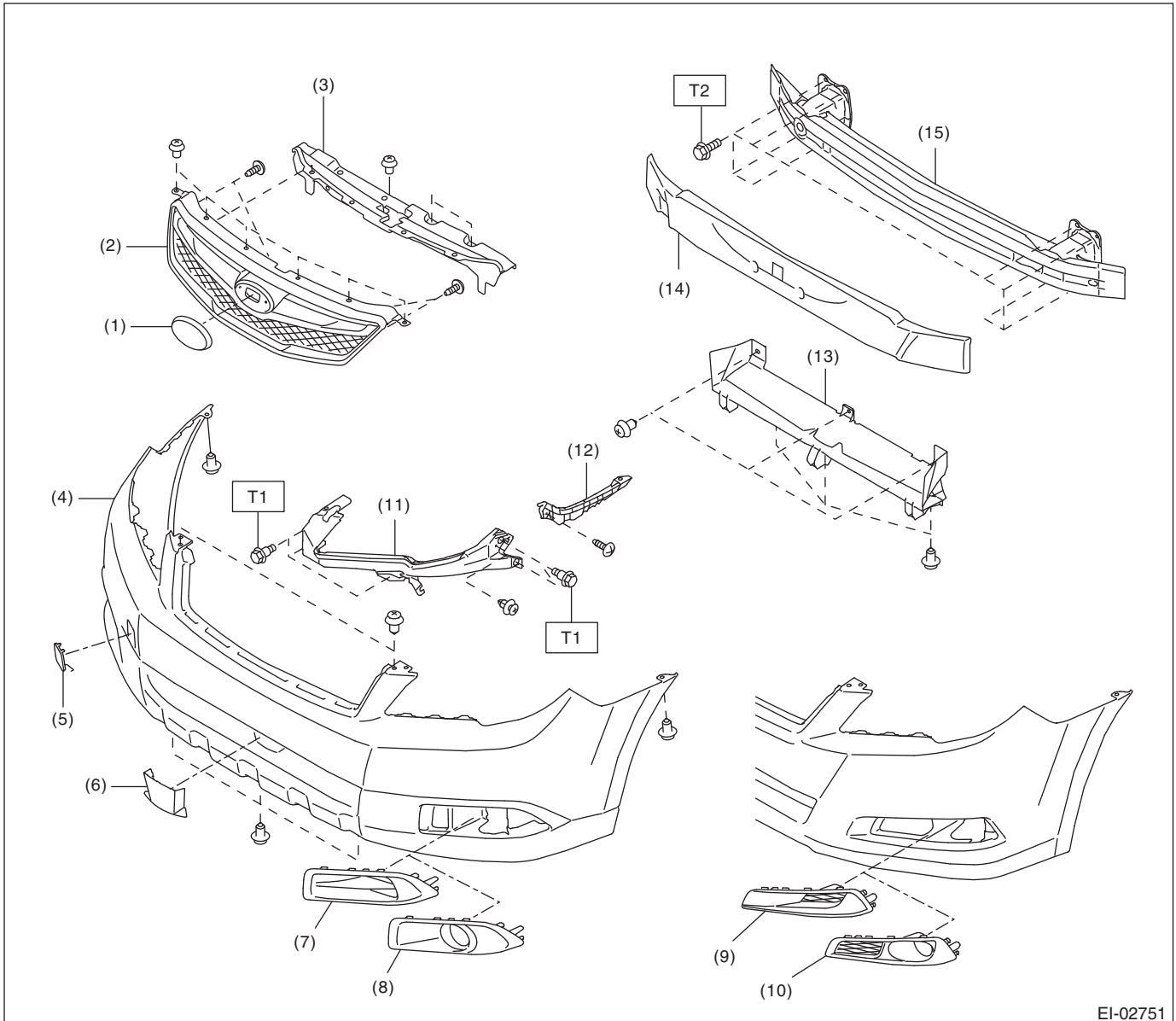
- |                       |                     |
|-----------------------|---------------------|
| (1) Front hood grille | (6) Grommet         |
| (2) Clip anchor       | (7) Hood duct       |
| (3) Bolt              | (8) Hood duct inner |
| (4) Protector         | (9) Clip            |
| (5) Gasket            |                     |

**Tightening torque: N·m (kgf·m, ft·lb)**

**T1: 1.0 (0.1, 0.7)**

**T2: 4.5 (0.46, 3.3)**

## 5. FRONT BUMPER



EI-02751

- |                                  |                                     |                       |
|----------------------------------|-------------------------------------|-----------------------|
| (1) Floor ornament               | (8) Fog light cover (OUTBACK model) | (15) Beam COMPL front |
| (2) Front grille ASSY            | (9) Bumper cover (Sedan model)      |                       |
| (3) Grille bracket               | (10) Fog light cover (Sedan model)  |                       |
| (4) FRONT BUMPER FACE            | (11) Bracket corner front           |                       |
| (5) Front hook cover             | (12) Bracket side front UPR         |                       |
| (6) Bumper cover CTR             | (13) Bracket center LWR front       |                       |
| (7) Bumper cover (OUTBACK model) | (14) E/A foam front                 |                       |

**Tightening torque: N·m (kgf-m, ft-lb)**

**T1: 7.5 (0.76, 5.5)**

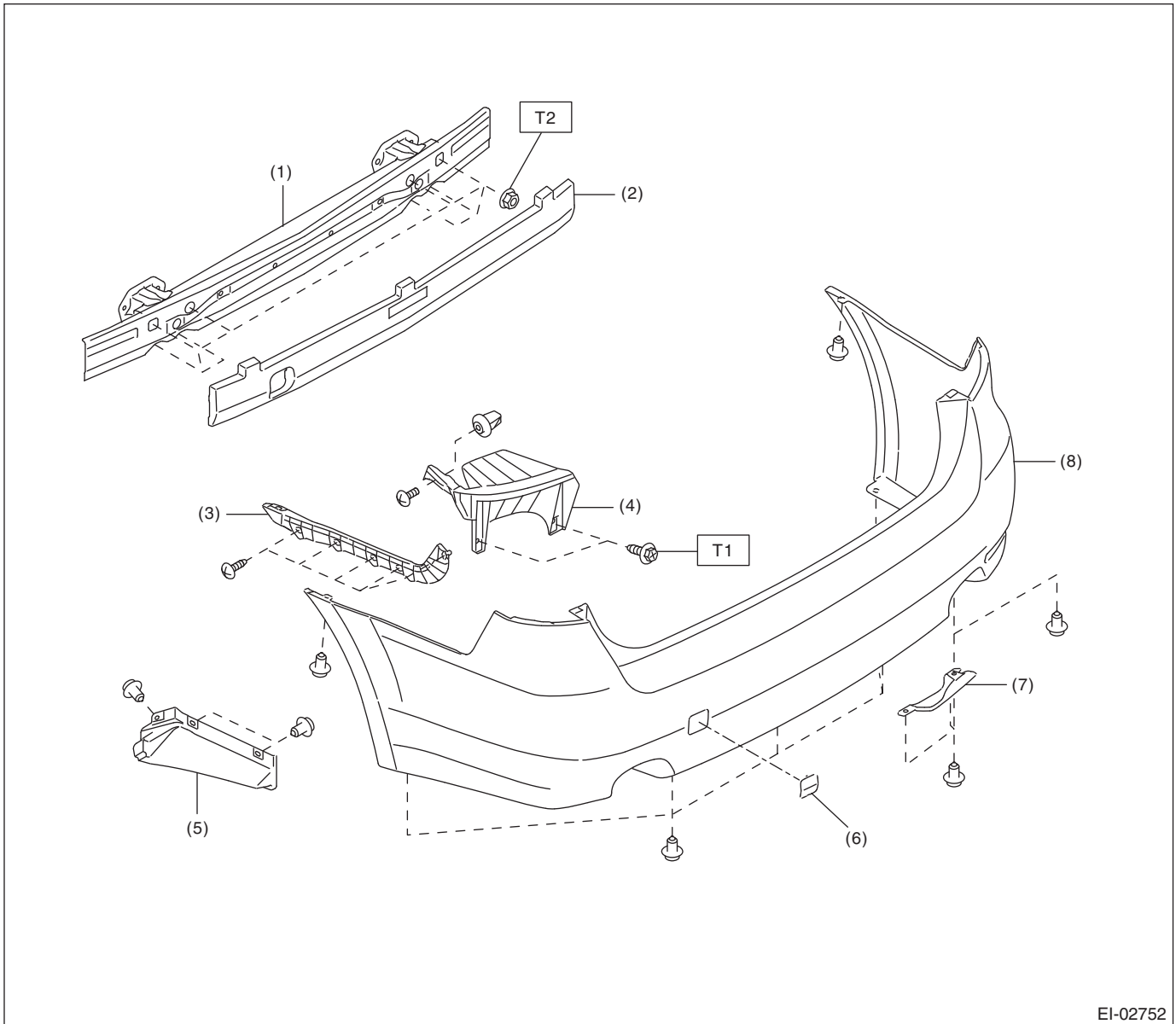
**T2: 32 (3.26, 23.6)**

# General Description

## EXTERIOR/INTERIOR TRIM

### 6. REAR BUMPER

- Sedan model



- |                           |                           |
|---------------------------|---------------------------|
| (1) Beam COMPL rear       | (5) Bracket side rear LWR |
| (2) E/A foam rear         | (6) Rear hook cover       |
| (3) Bracket side rear UPR | (7) Bumper cover rear     |
| (4) Bracket corner rear   | (8) REAR BUMPER FACE      |

**Tightening torque: N·m (kgf·m, ft·lb)**

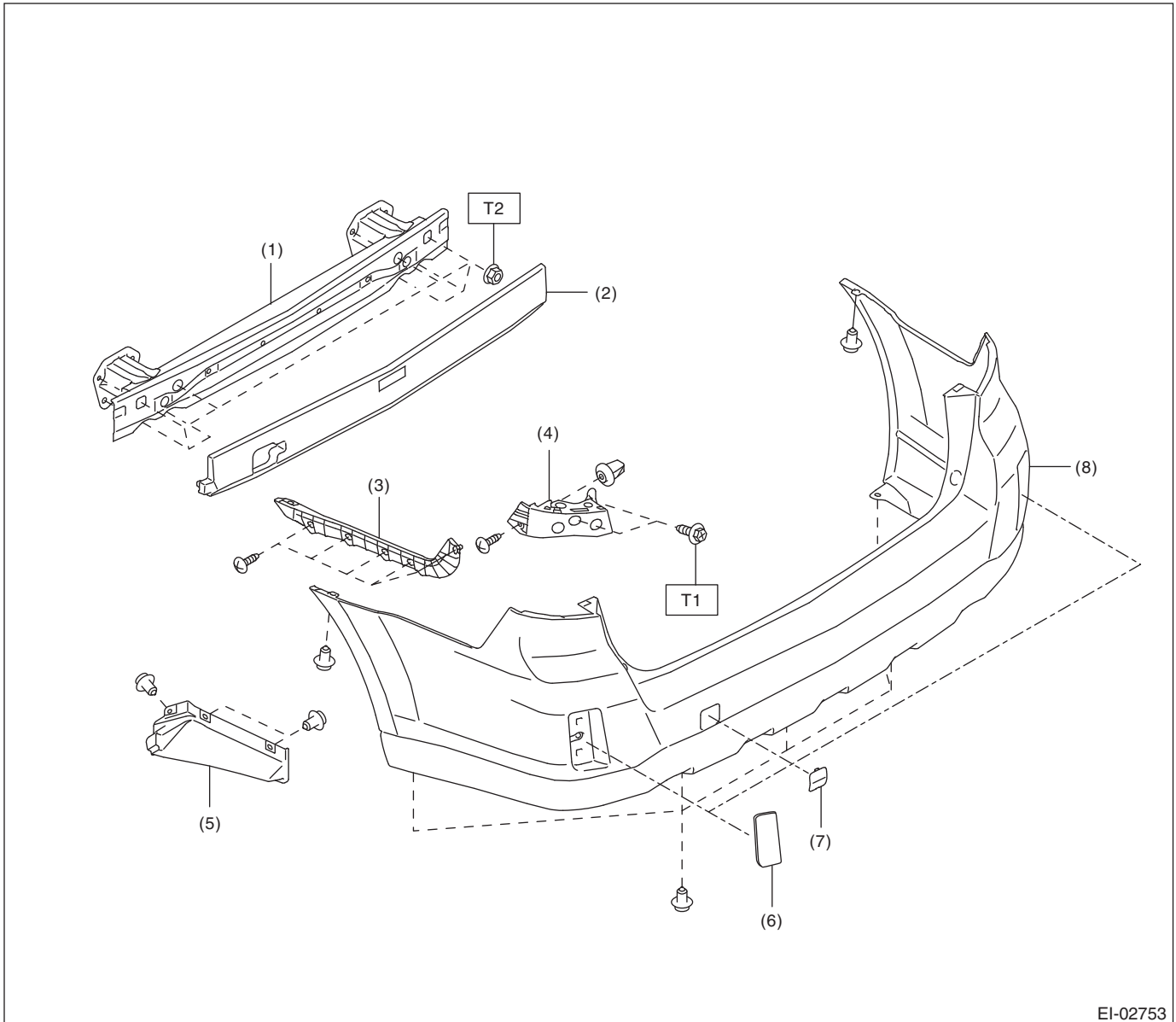
**T1: 7.5 (0.76, 5.5)**

**T2: 45 (4.6, 33.2)**

# General Description

EXTERIOR/INTERIOR TRIM

- OUTBACK model



- |                           |                           |
|---------------------------|---------------------------|
| (1) Beam COMPL rear       | (5) Bracket side rear LWR |
| (2) E/A foam rear         | (6) Rear hook cover       |
| (3) Bracket side rear UPR | (7) Reflex reflector      |
| (4) Bracket corner rear   | (8) REAR BUMPER FACE      |

**Tightening torque: N·m (kgf·m, ft·lb)**

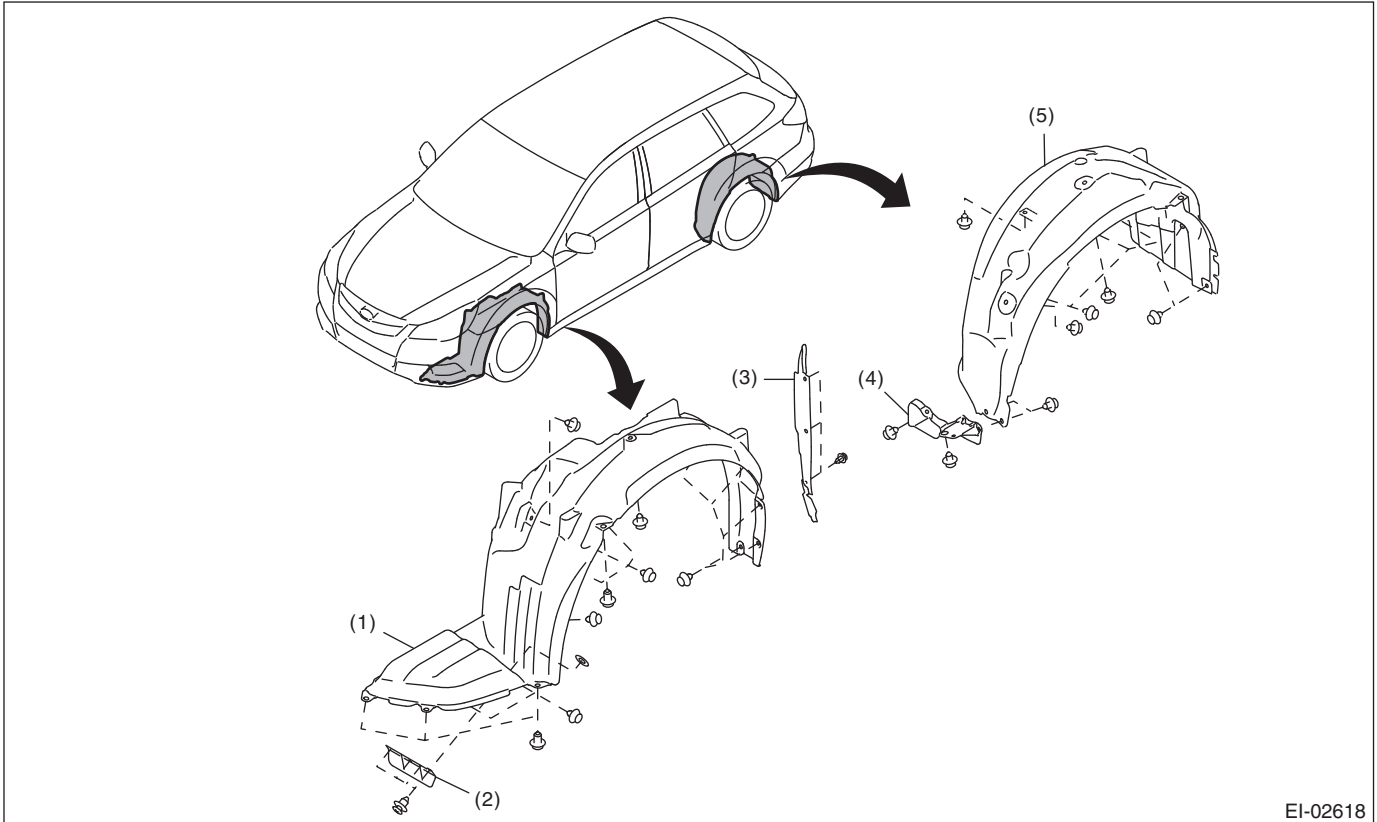
**T1: 7.5 (0.76, 5.5)**

**T2: 45 (4.6, 33.2)**

# General Description

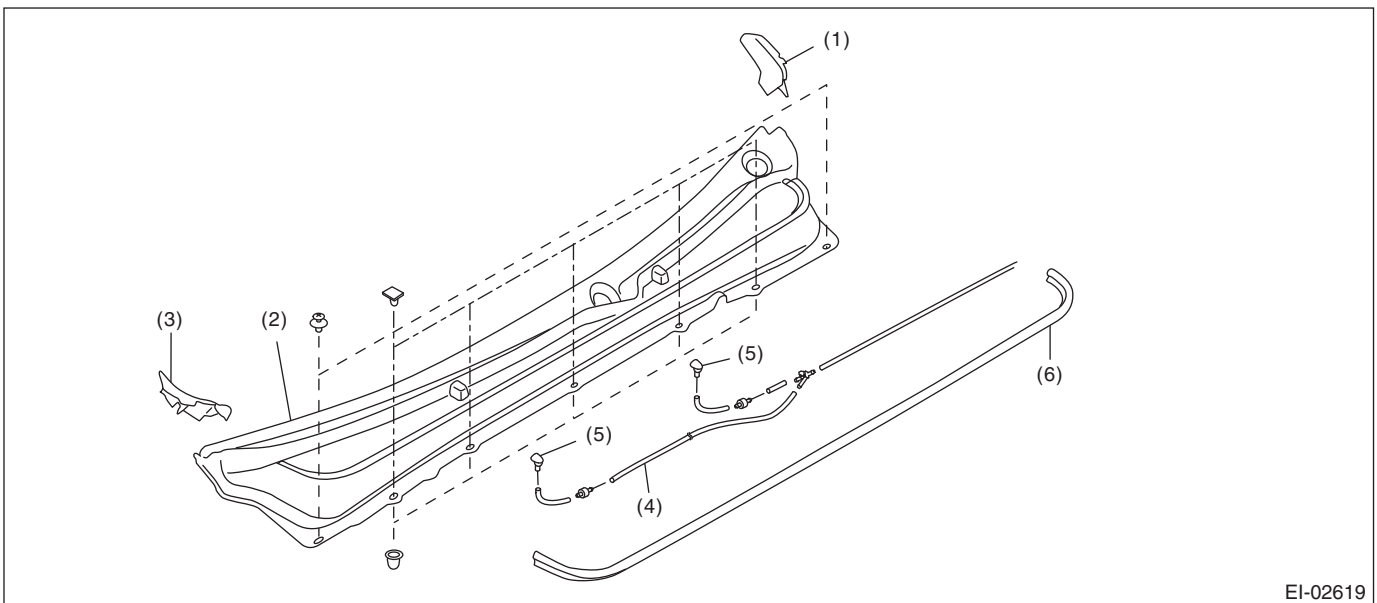
EXTERIOR/INTERIOR TRIM

## 7. MUD GUARD



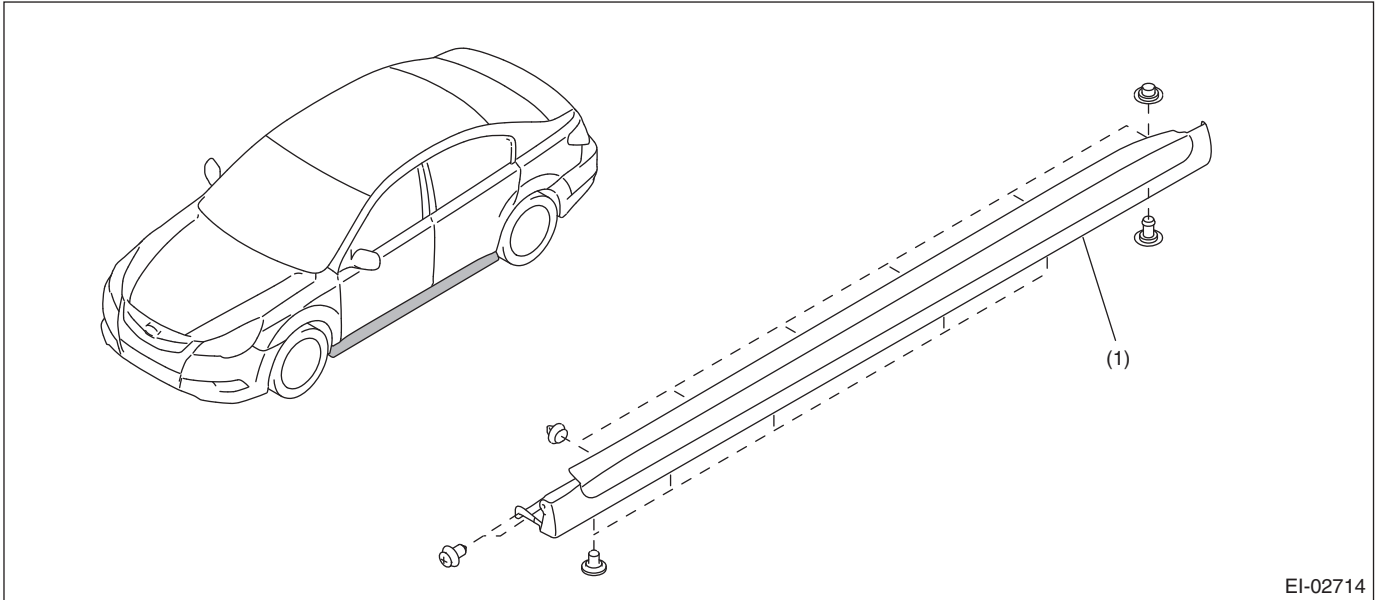
- |                          |                         |                    |
|--------------------------|-------------------------|--------------------|
| (1) Front mud guard      | (3) Fender cover lower  | (5) Rear mud guard |
| (2) Front air flap plate | (4) Rear air flap plate |                    |

## 8. COWL PANEL

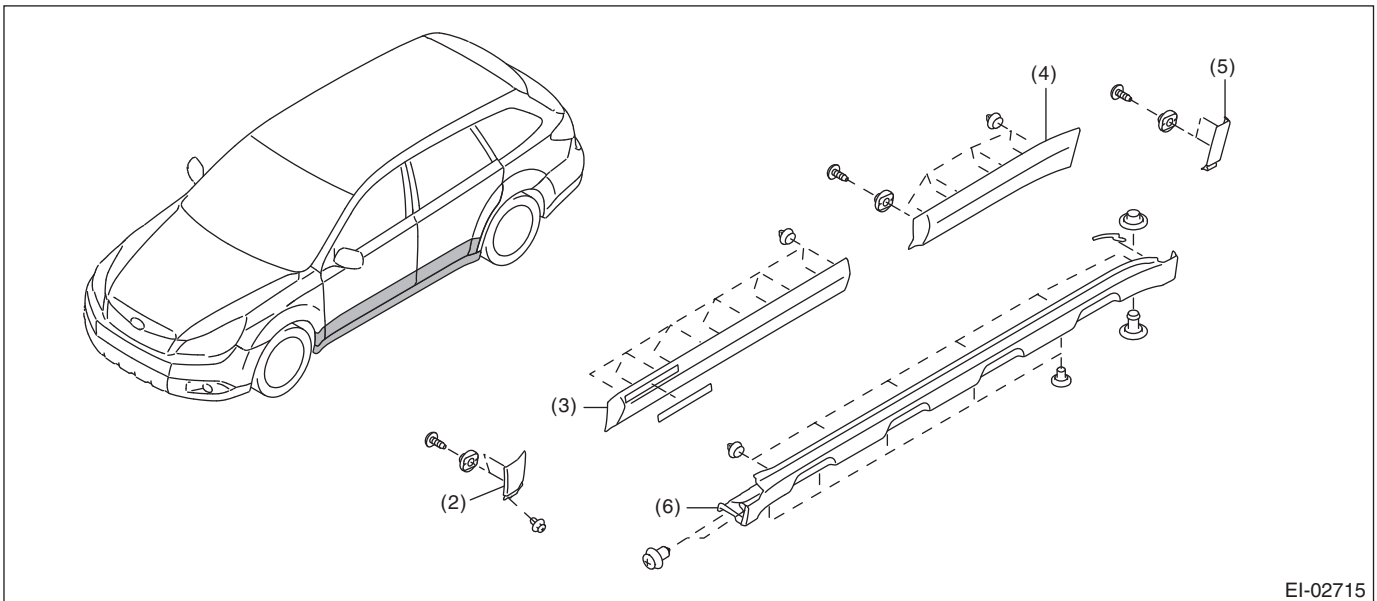


- |                        |                        |                     |
|------------------------|------------------------|---------------------|
| (1) Cowl panel side LH | (3) Cowl panel side RH | (5) Washer nozzle   |
| (2) Cowl panel         | (4) Washer hose        | (6) Cowl panel seal |

## 9. SIDE SILL SPOILER



EI-02714



EI-02715

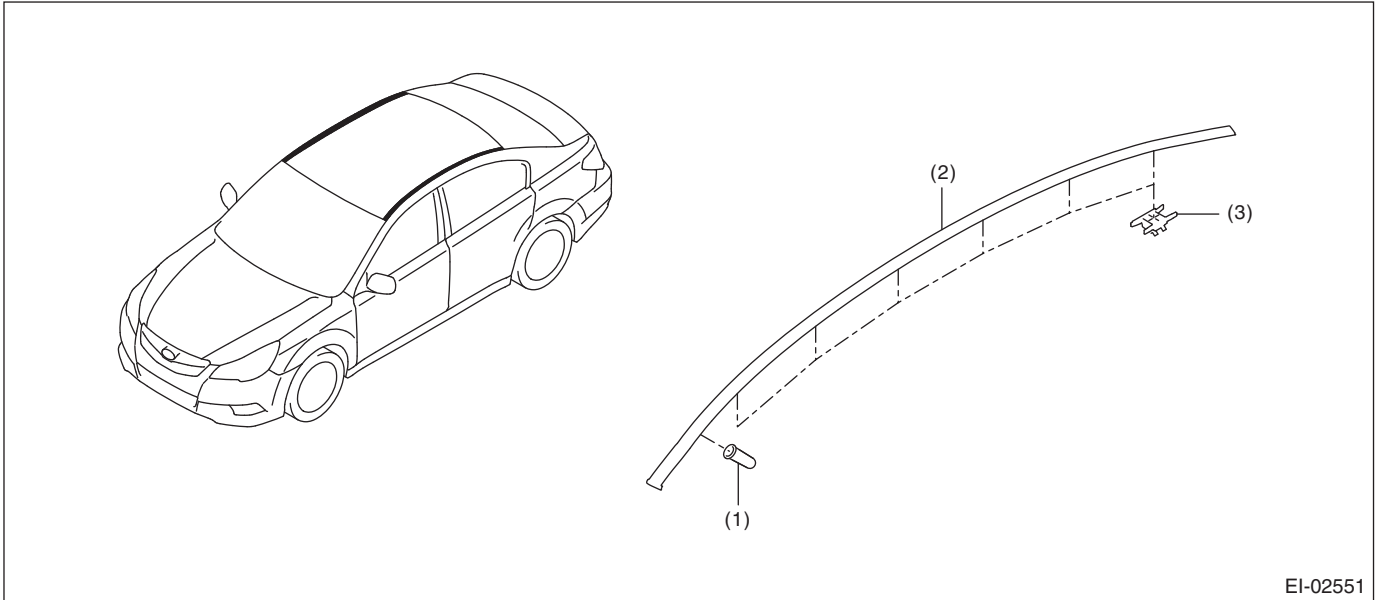
- |  |  |  |
|--|--|--|
| (1) Side sill garnish ASSY (Sedan model)       | (3) Garnish ASSY front door (OUT-BACK model) | (5) Garnish ASSY rear quarter (OUT-BACK model) |
| (2) Garnish ASSY front fender (OUT-BACK model) | (4) Garnish ASSY rear door (OUT-BACK model)  | (6) Side sill garnish ASSY (OUT-BACK model)    |



# General Description

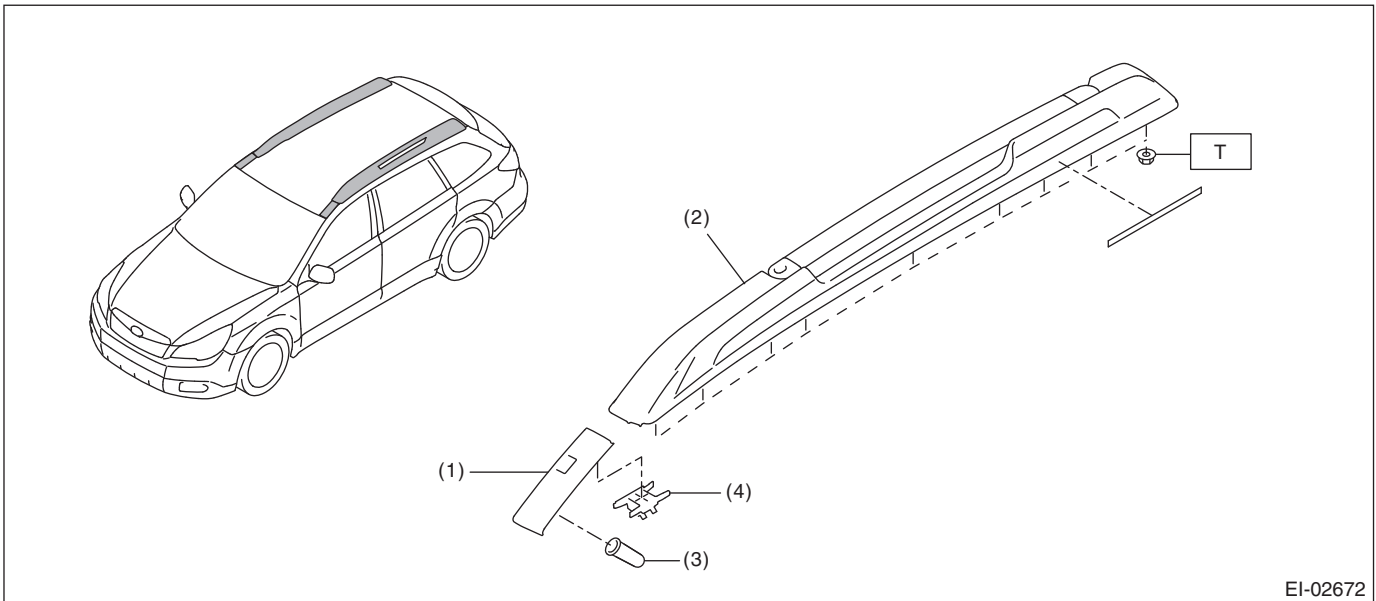
## EXTERIOR/INTERIOR TRIM

### 10. ROOF MOLDING



- (1) Rivet
- (2) Roof molding
- (3) Clip

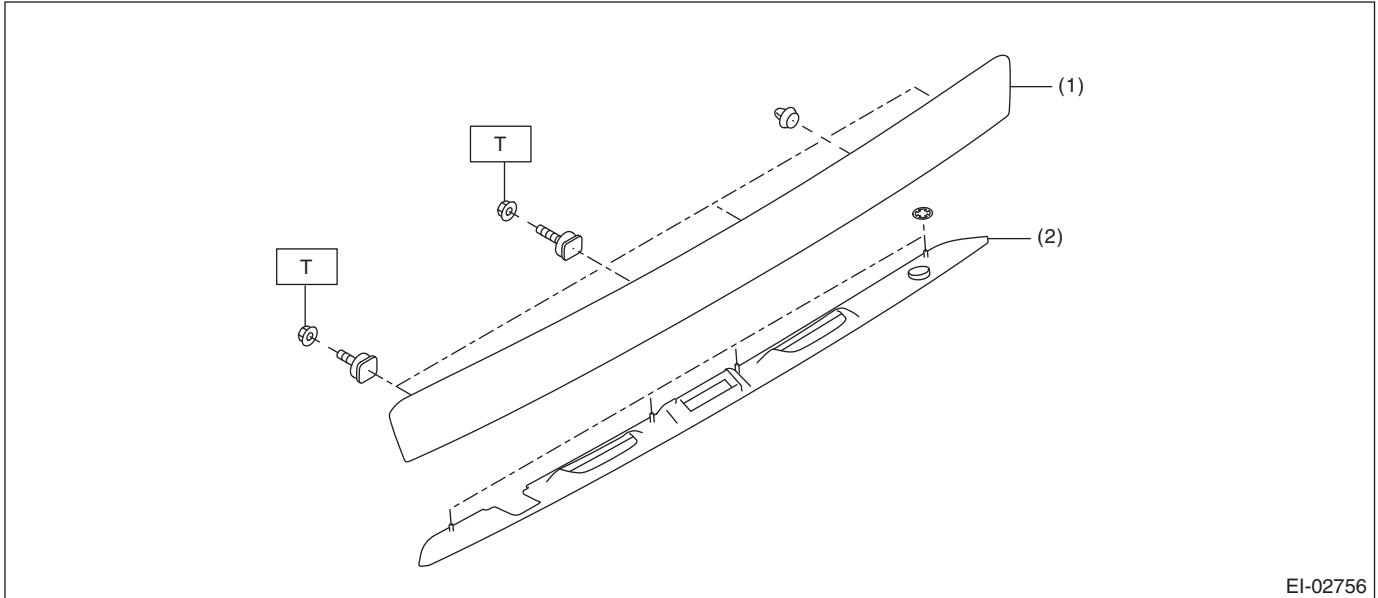
### 11. ROOF RAIL



- (1) Roof molding
- (2) Roof rail ASSY
- (3) Rivet
- (4) Clip

**Tightening torque: N·m (kgf·m, ft·lb)**  
**T: 7.5 (0.76, 5.5)**

## 12. TRUNK LID GARNISH



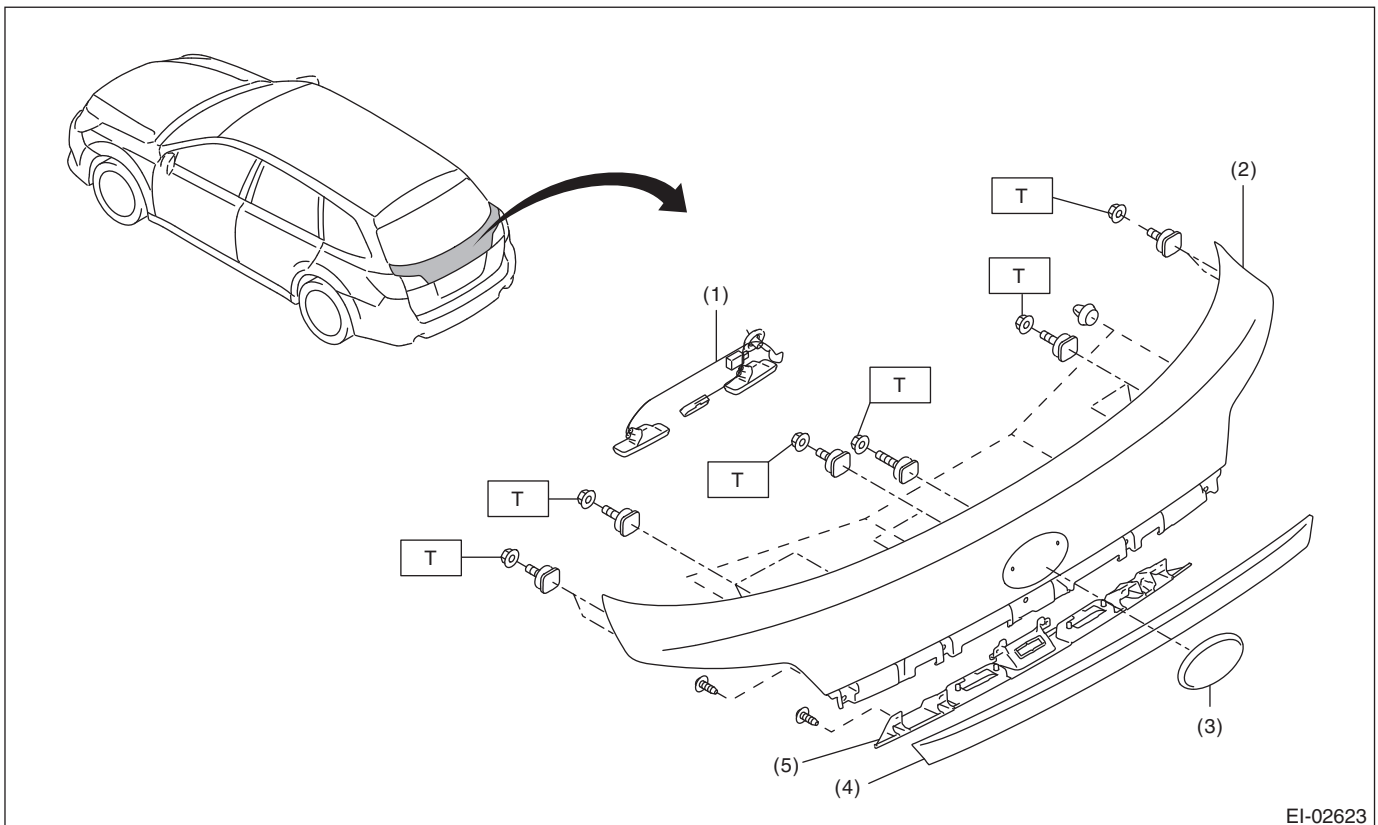
EI-02756

- (1) Trunk lid garnish
- (2) License plate light bracket

**Tightening torque:N-m (kgf-m, ft-lb)**

**T: 4.5 (0.46, 3.3)**

## 13. REAR GATE GARNISH



EI-02623

- (1) Rear gate opener ASSY harness
- (2) Rear gate garnish UPR
- (3) Ornament
- (4) Rear gate garnish LWR
- (5) License plate light bracket

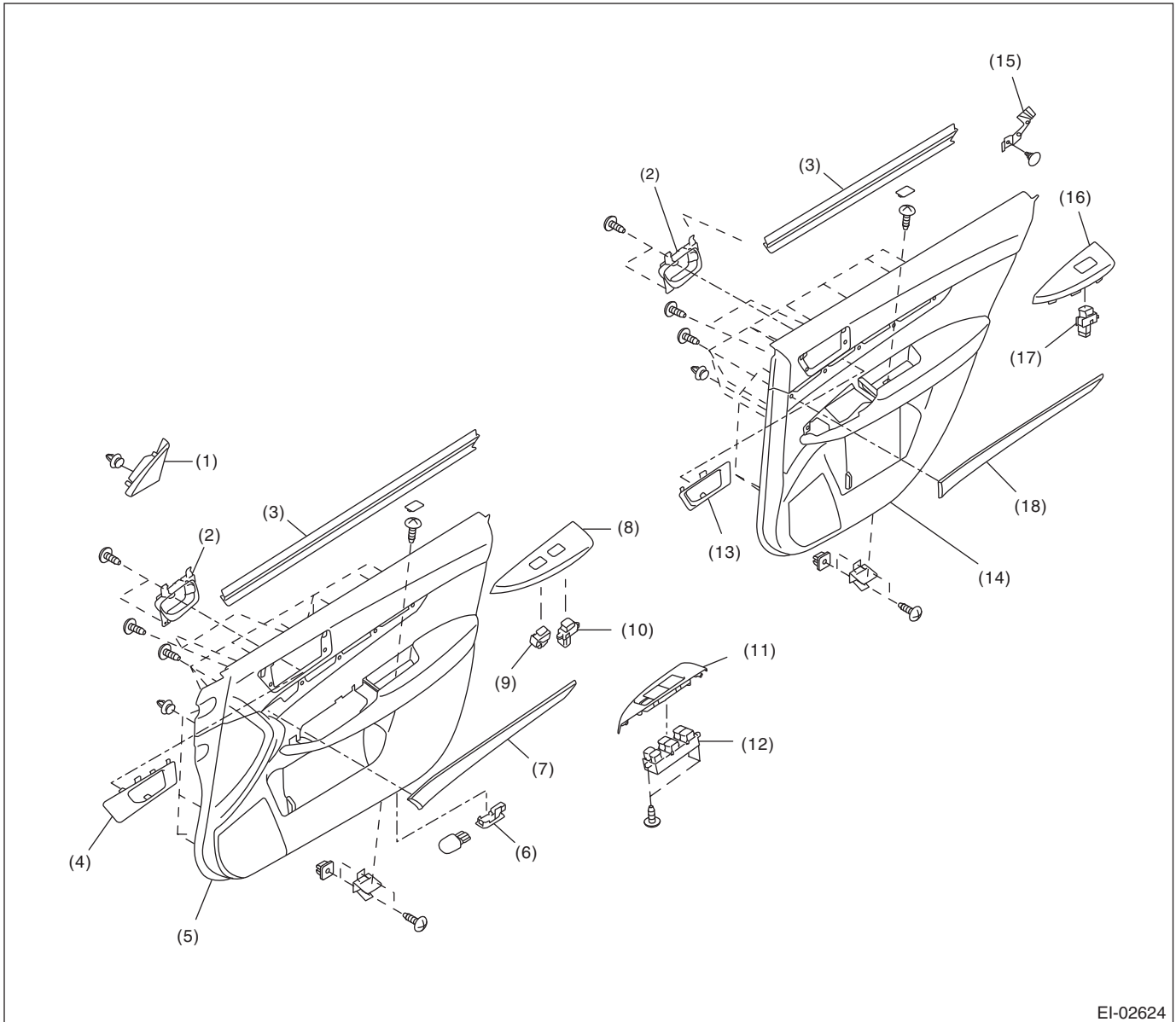
**Tightening torque:N-m (kgf-m, ft-lb)**

**T: 4.5 (0.46, 3.3)**

# General Description

## EXTERIOR/INTERIOR TRIM

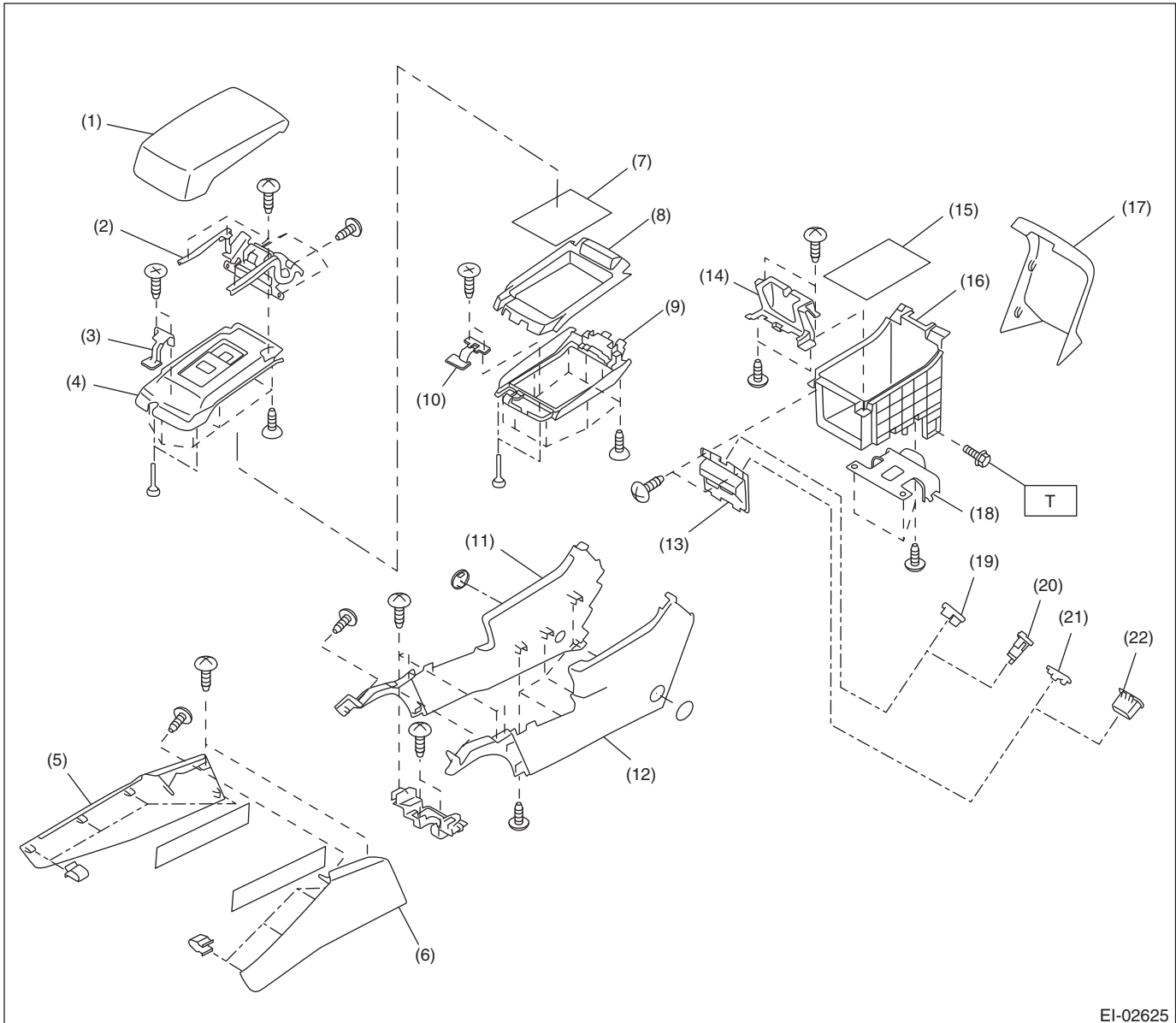
### 14.DOOR TRIM



EI-02624

- |                                   |   |  |
|-----------------------------------|---|--|
| (1) Gusset cover front            | (7) Front door ornament panel           | (13) Rear door inner remote cover      |
| (2) Inner remote ASSY             | (8) Power window switch panel front RH  | (14) Rear door trim                    |
| (3) Weather strip inner           | (9) Door lock switch ASSY               | (15) Rear door cover upper             |
| (4) Front door inner remote cover | (10) Power window sub-switch ASSY front | (16) Power window switch panel rear    |
| (5) Front door trim ASSY          | (11) Power window switch panel front LH | (17) Power window sub-switch ASSY rear |
| (6) Door step light               | (12) Power window main switch ASSY      | (18) Rear door ornament panel          |

## 15. CONSOLE BOX



EI-02625

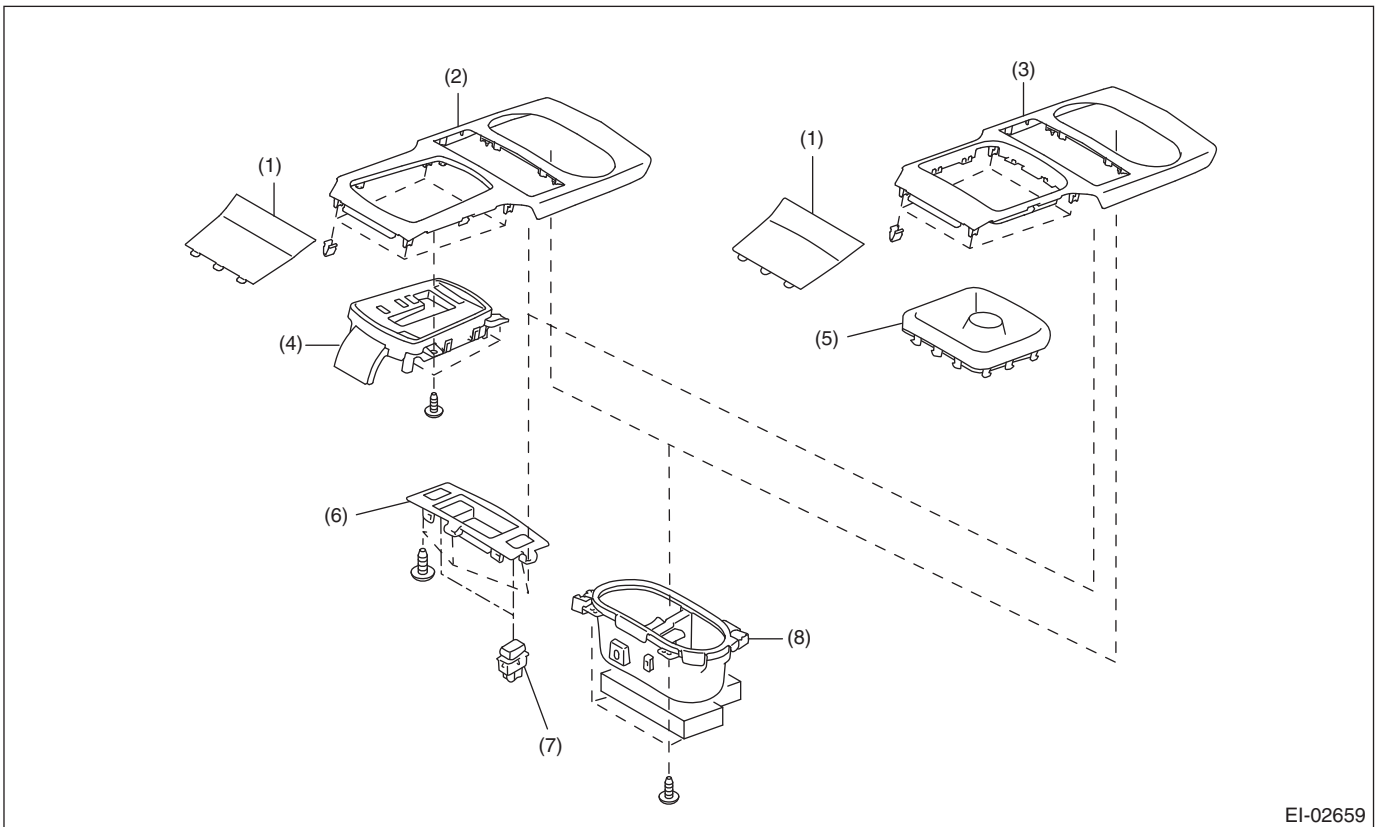
- |                                      |                         |                       |
|--------------------------------------|-------------------------|-----------------------|
| (1) Console lid COMPL                | (10) Lid lock LWR       | (19) Cover A          |
| (2) Console lid hinge COMPL          | (11) Console box LWR RH | (20) Accessory socket |
| (3) Lid lock UPR                     | (12) Console box LWR LH | (21) Cover B          |
| (4) Lid inner UPR                    | (13) Pocket case        | (22) AUX unit         |
| (5) Console front side cover ASSY RH | (14) Cover center       |                       |
| (6) Console front side cover ASSY LH | (15) Mat (pocket)       |                       |
| (7) Mat (lid LWR)                    | (16) Console pocket     |                       |
| (8) Lid inner LWR                    | (17) Console rear cover |                       |
| (9) Lid outer LWR                    | (18) Console bracket    |                       |

**Tightening torque: N·m (kgf·m, ft·lb)**

**T: 6.5 (0.66, 4.8)**

# General Description

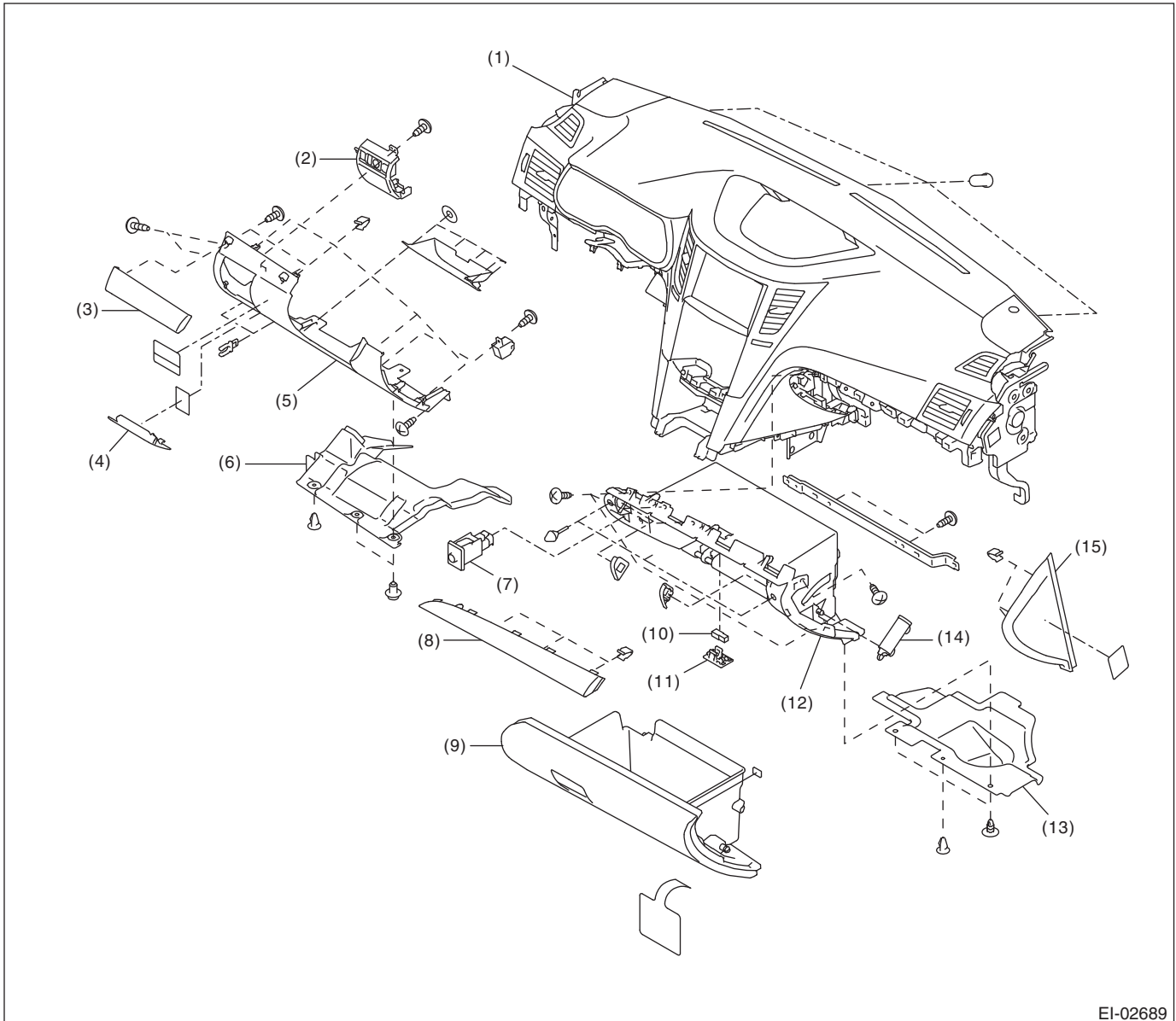
## EXTERIOR/INTERIOR TRIM



EI-02659

- |                       |                           |                        |
|-----------------------|---------------------------|------------------------|
| (1) Center pocket mat | (4) Indicator ASSY AT     | (7) Seat heater switch |
| (2) Front cover AT    | (5) Shift boot (MT model) | (8) Cup holder ASSY    |
| (3) Front cover MT    | (6) Switch case           |                        |

## 16. INSTRUMENT PANEL

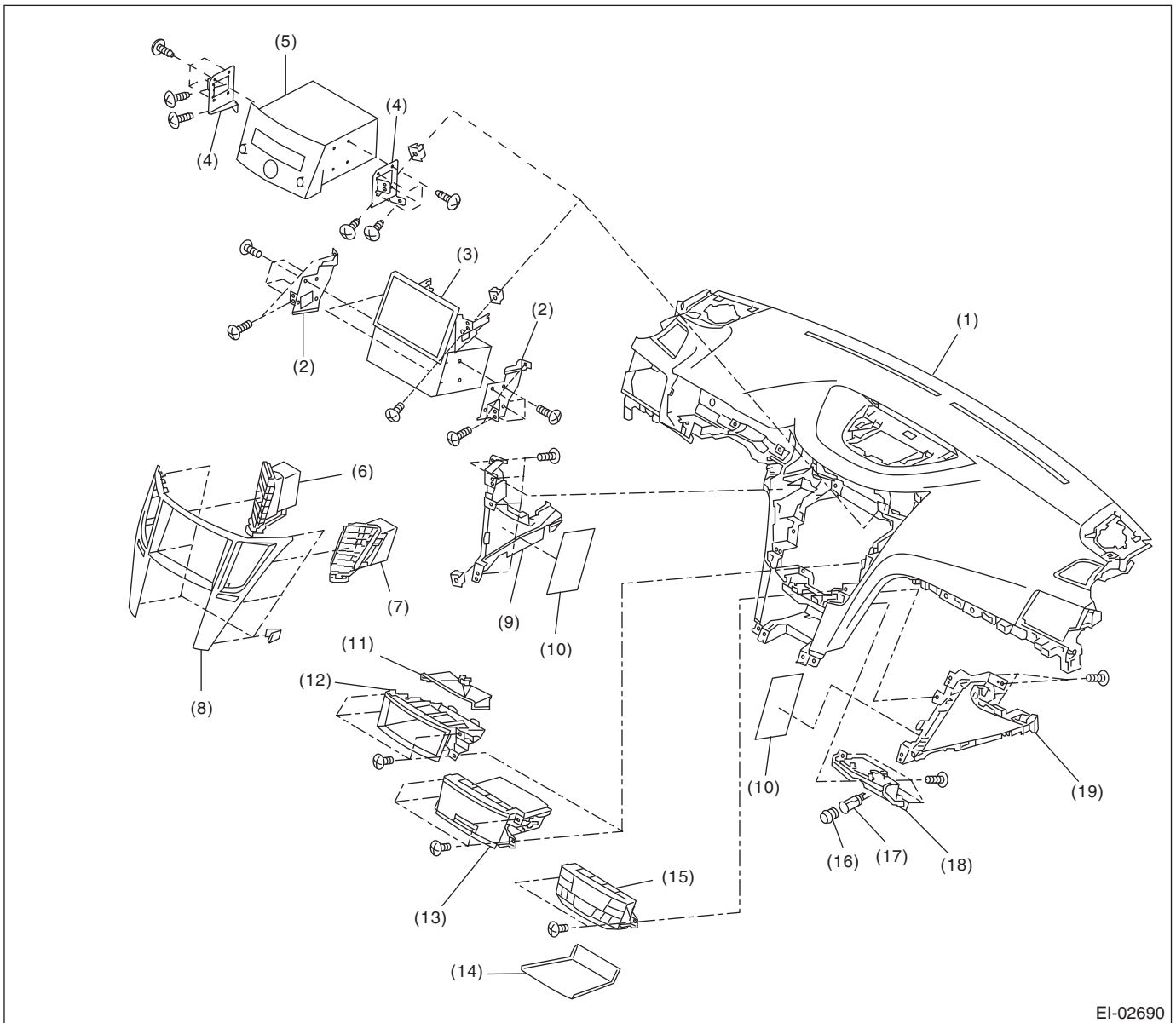


EI-02689

- |                                  |  |                                  |
|----------------------------------|--|----------------------------------|
| (1) Instrument panel ASSY        | (6) Instrument panel lower cover under | (11) Illumination bracket        |
| (2) Switch panel ASSY            | (7) Trunk opener cancel button         | (12) Glove box back panel        |
| (3) Ornament panel ASSY D OUT    | (8) Ornament panel ASSY P              | (13) Glove box under cover       |
| (4) Fuse lid                     | (9) Glove box lid ASSY                 | (14) Glove box damper            |
| (5) Instrument panel lower cover | (10) Illumination LED ASSY             | (15) Instrument panel side cover |

# General Description

## EXTERIOR/INTERIOR TRIM

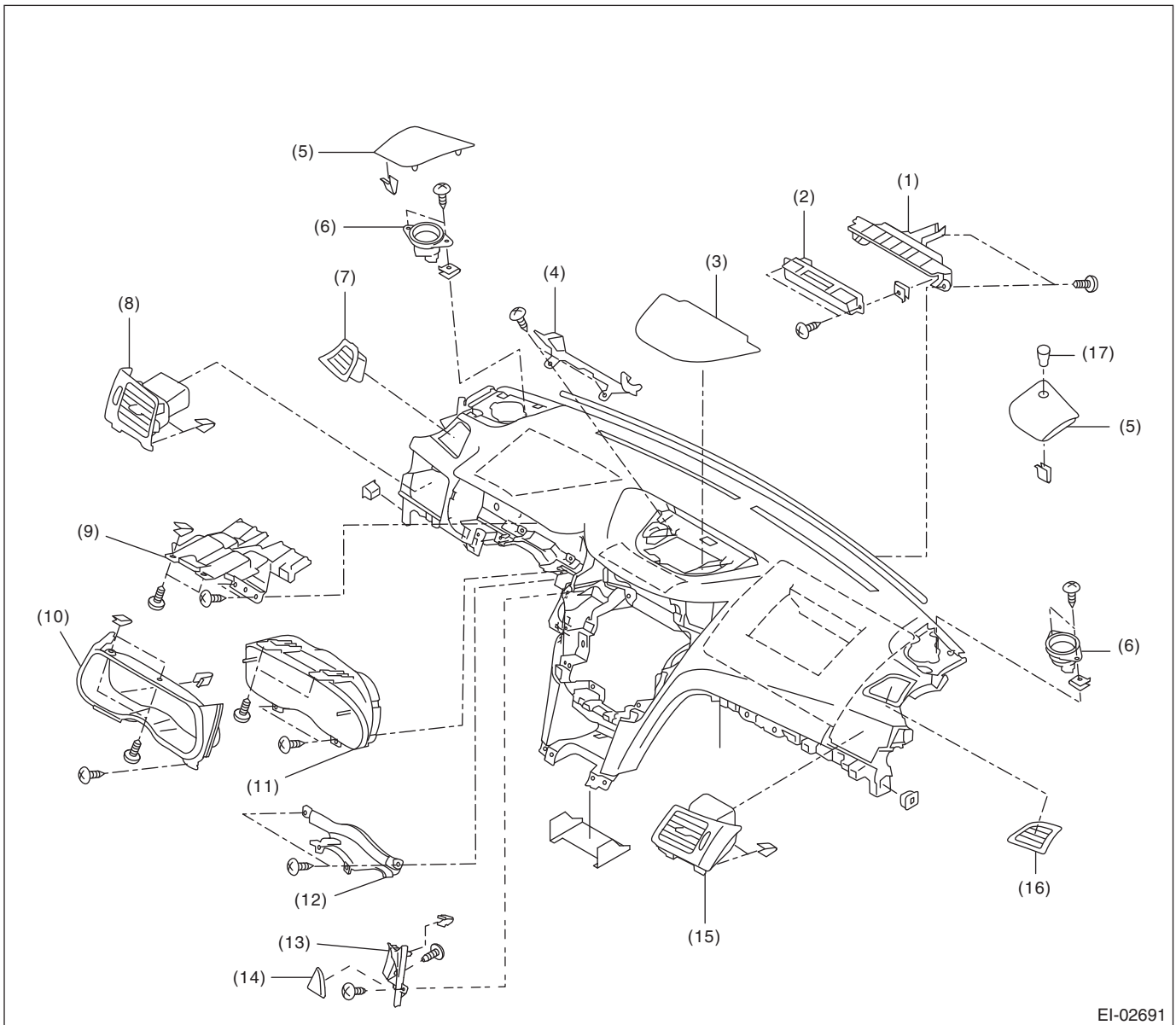


EI-02690

- |   |                                |                               |
|---|--------------------------------|-------------------------------|
| (1) Instrument panel pad and frame ASSY | (8) Center panel ASSY          | (15) Control panel ASSY       |
| (2) Navigation bracket                  | (9) Center cover side RH       | (16) Plug                     |
| (3) Navigation ASSY                     | (10) Insulator                 | (17) Accessory socket ASSY    |
| (4) Audio bracket                       | (11) Pocket center light       | (18) Center pocket back panel |
| (5) Audio ASSY                          | (12) Pocket ASSY (without lid) | (19) Center cover side LH     |
| (6) Center grille ASSY LH               | (13) Pocket ASSY (with lid)    |                               |
| (7) Center grille ASSY RH               | (14) Center pocket mat         |                               |

# General Description

EXTERIOR/INTERIOR TRIM



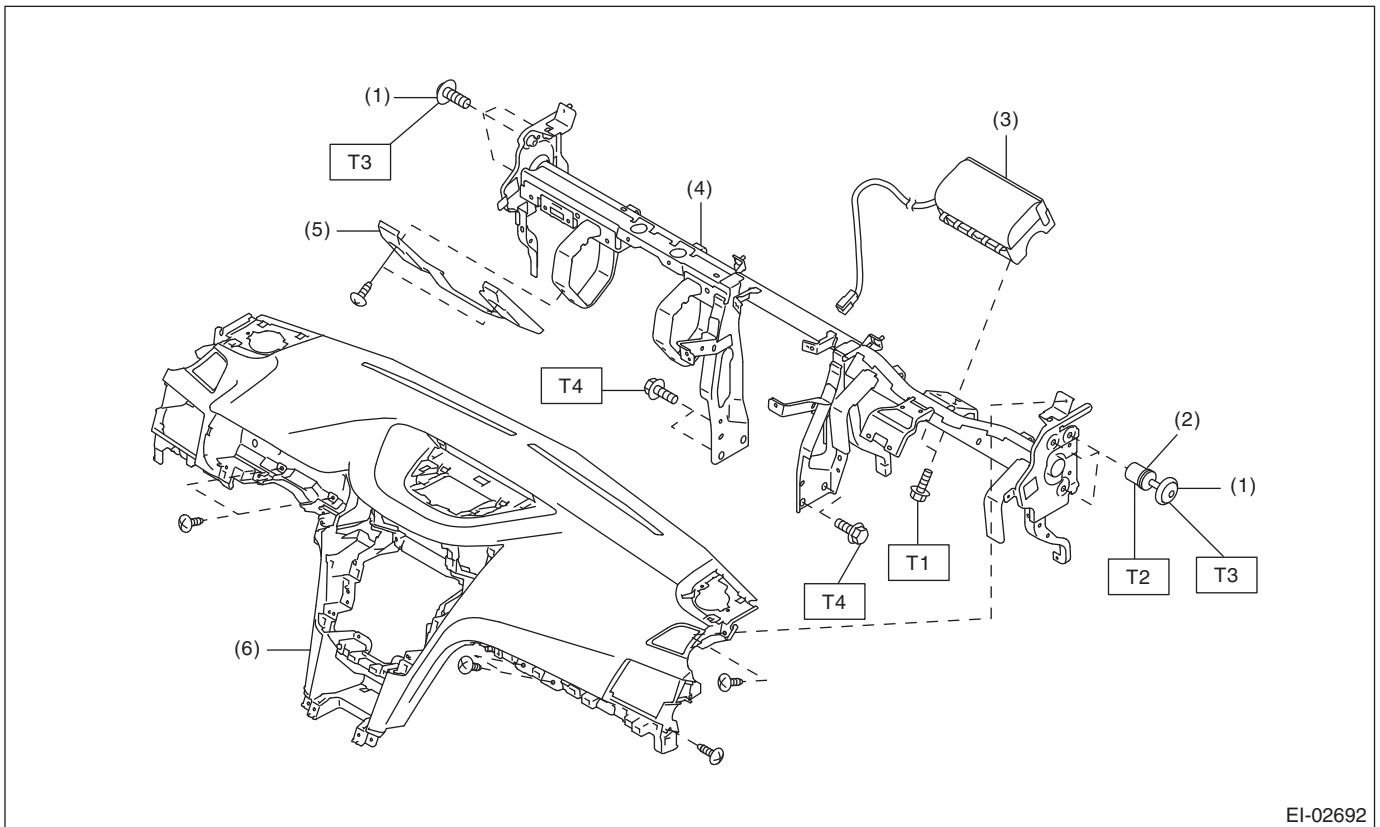
EI-02691

- |                             |                               |                                |
|-----------------------------|-------------------------------|--------------------------------|
| (1) Multi display panel UPR | (7) Defroster side grille RH  | (13) Starter switch cover      |
| (2) Multi display ASSY      | (8) Side vent grille ASSY RH  | (14) Ornament panel ASSY D INN |
| (3) Center speaker cover    | (9) Meter reinforcement panel | (15) Side vent grille ASSY LH  |
| (4) Multi display panel LWR | (10) Meter visor ASSY         | (16) Defroster side grille LH  |
| (5) Side speaker cover      | (11) Combination meter ASSY   | (17) Sunload sensor            |
| (6) Front side speaker ASSY | (12) Steering upper cover     |                                |



# General Description

## EXTERIOR/INTERIOR TRIM



EI-02692

- |                                    |   |
|------------------------------------|---|
| (1) TORX® bolt                     | (4) Steering support beam ASSY          |
| (2) Adjuster bolt                  | (5) Knee guard panel COMPL              |
| (3) Passenger's airbag module ASSY | (6) Instrument panel pad and frame ASSY |

**Tightening torque: N·m (kgf·m, ft·lb)**

**T1: 7.5 (0.76, 5.5)**

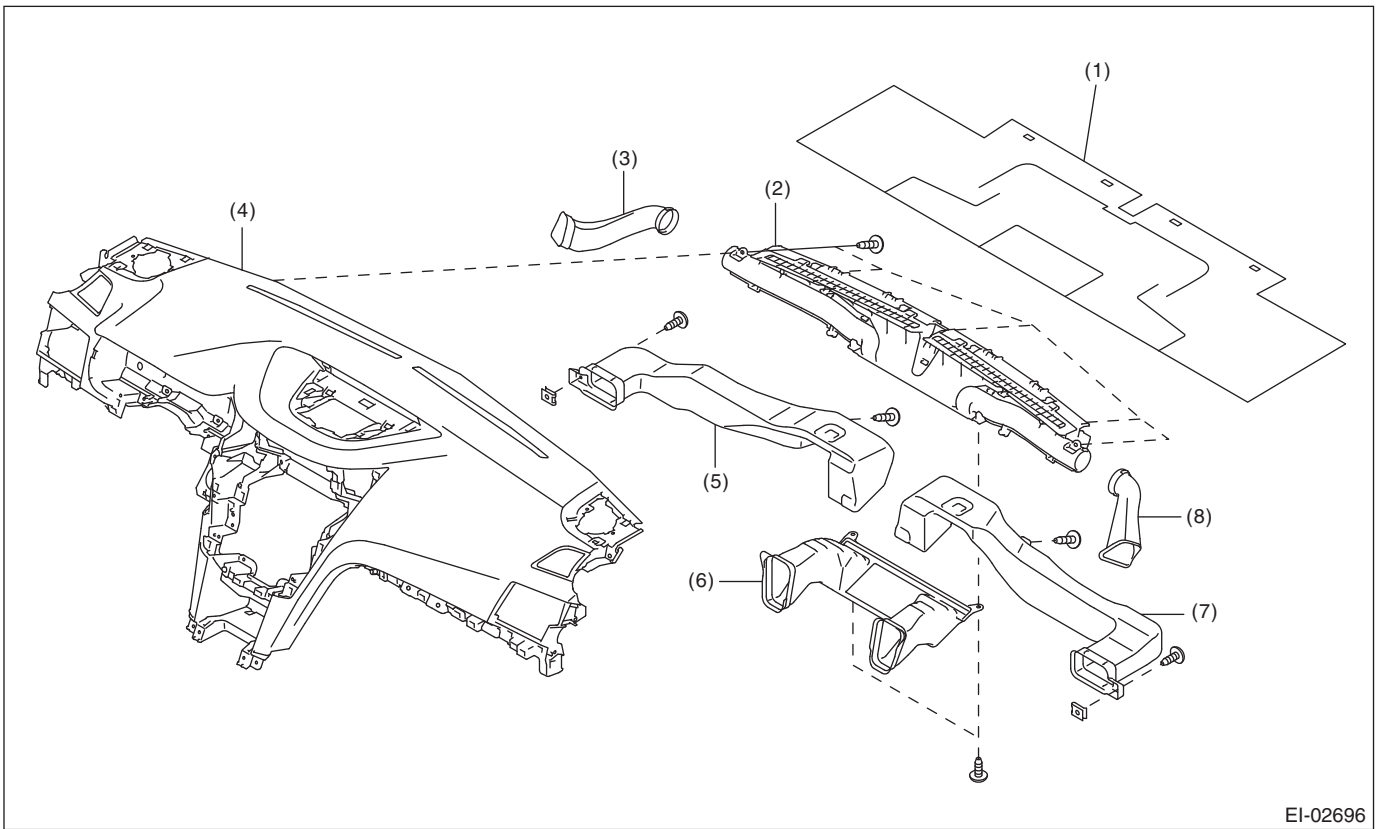
**T2: 3 (0.31, 2.2)**

**T3: 18 (1.84, 13.3)**

**T4: 25 (2.55, 18.4)**

# General Description

EXTERIOR/INTERIOR TRIM



EI-02696

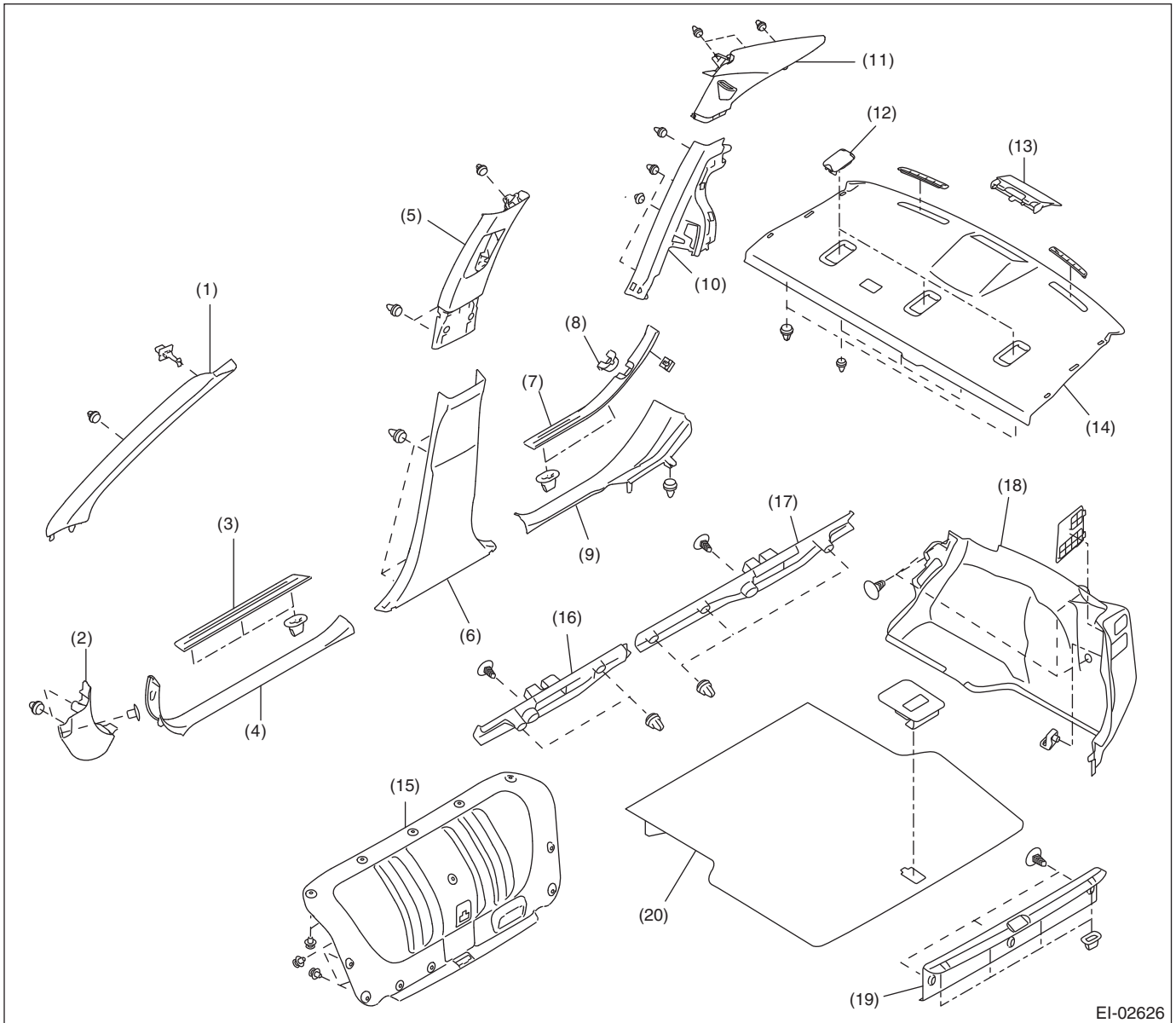
- |                                 |   |                            |
|---------------------------------|---|----------------------------|
| (1) Insulator                   | (4) Instrument panel pad and frame ASSY | (7) Side vent duct RH      |
| (2) Front defroster nozzle ASSY | (5) Side vent duct LH                   | (8) Side defroster duct LH |
| (3) Side defroster duct RH      | (6) Center vent duct                    |                            |

# General Description

## EXTERIOR/INTERIOR TRIM

### 17.INNER TRIM

- Sedan model



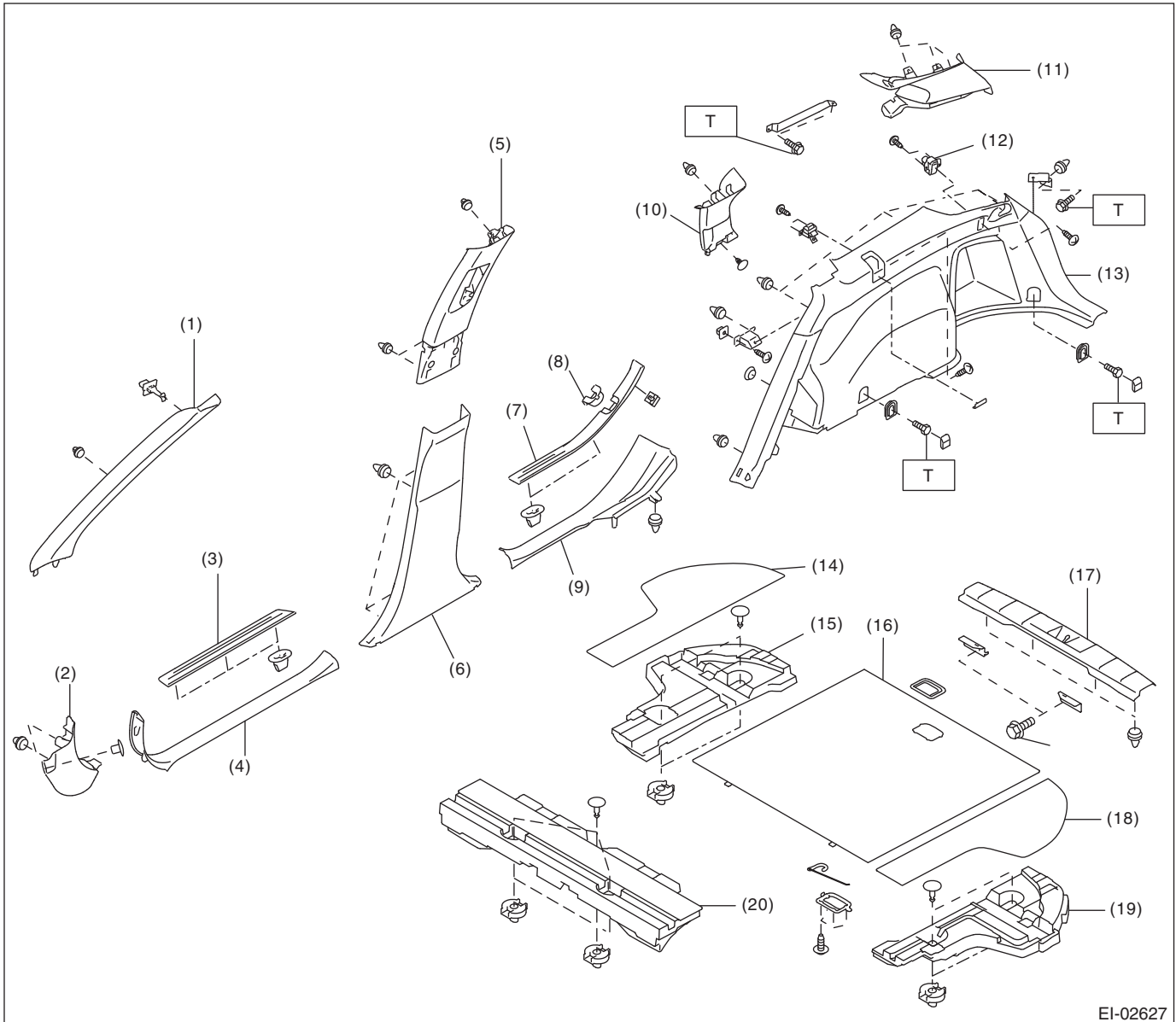
EI-02626

- |                               |                                   |                                     |
|-------------------------------|-----------------------------------|-------------------------------------|
| (1) Front pillar trim         | (8) Catcher cover                 | (15) Trunk lid trim                 |
| (2) Side sill cover front     | (9) Side sill cover-rear INN      | (16) Trunk trim panel ASSY-front LH |
| (3) Side sill cover-front OUT | (10) Rear quarter trim LWR        | (17) Trunk trim panel ASSY-front RH |
| (4) Side sill cover-front INN | (11) Rear quarter trim UPR        | (18) Trunk trim panel ASSY-side     |
| (5) Center pillar trim UPR    | (12) Child anchor cap             | (19) Trunk trim panel ASSY-rear     |
| (6) Center pillar trim LWR    | (13) High-mounted stop light ASSY | (20) Trunk mat                      |
| (7) Side sill cover-rear OUT  | (14) Rear shelf panel             |                                     |

# General Description

EXTERIOR/INTERIOR TRIM

- OUTBACK model



EI-02627

- |                               |                                  |                                  |
|-------------------------------|----------------------------------|----------------------------------|
| (1) Front pillar trim         | (10) Rear quarter trim UPR-front | (19) Rear floor spacer LH        |
| (2) Side sill cover front     | (11) Rear quarter trim UPR-rear  | (20) Rear floor spacer CTR-front |
| (3) Side sill cover-front OUT | (12) Hook                        |                                  |
| (4) Side sill cover-front INN | (13) Rear quarter trim LWR       |                                  |
| (5) Center pillar trim UPR    | (14) Rear floor mat RH           |                                  |
| (6) Center pillar trim LWR    | (15) Rear floor spacer RH        |                                  |
| (7) Side sill cover-rear OUT  | (16) Rear floor mat CTR          |                                  |
| (8) Catcher cover             | (17) Rear floor edge cover       |                                  |
| (9) Side sill cover-rear INN  | (18) Rear floor mat LH           |                                  |

---

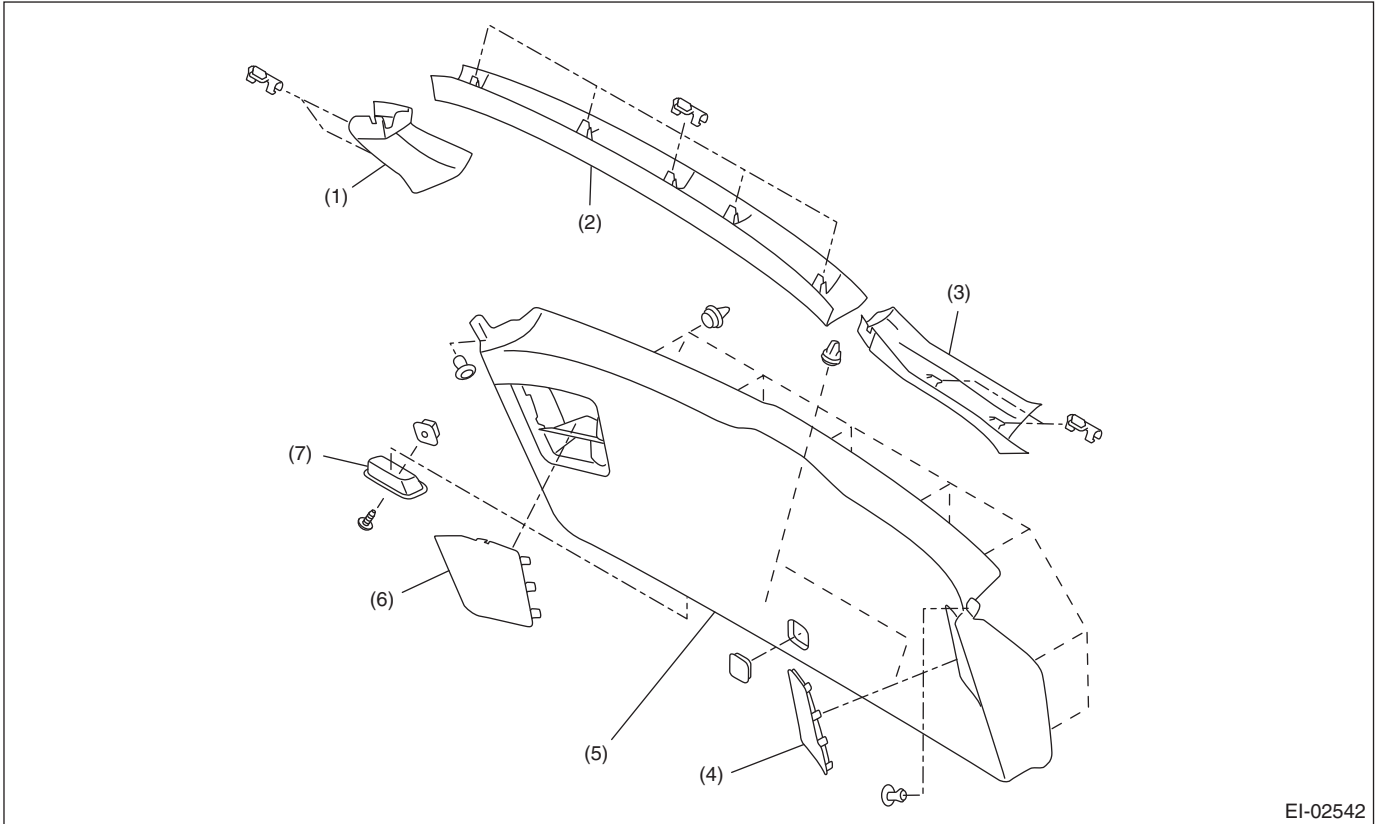
**Tightening torque: N·m (kgf·m, ft·lb)**  
**T: 7.5 (0.76, 5.5)**

---

# General Description

EXTERIOR/INTERIOR TRIM

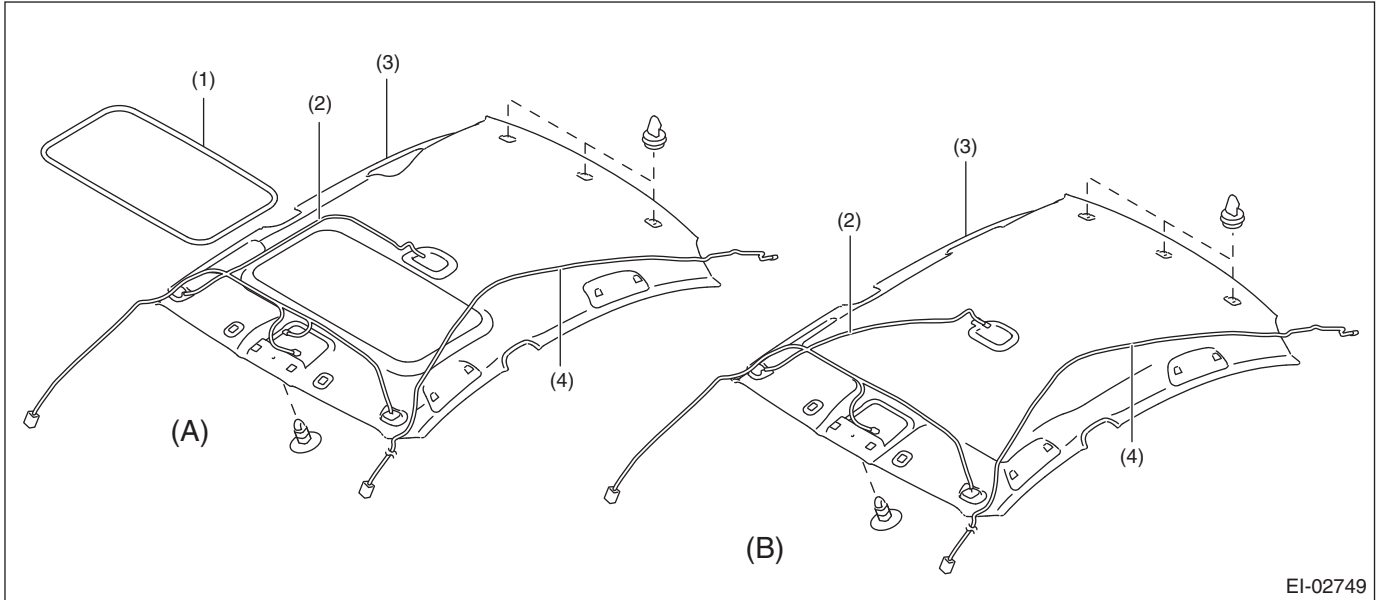
## 18. REAR GATE TRIM



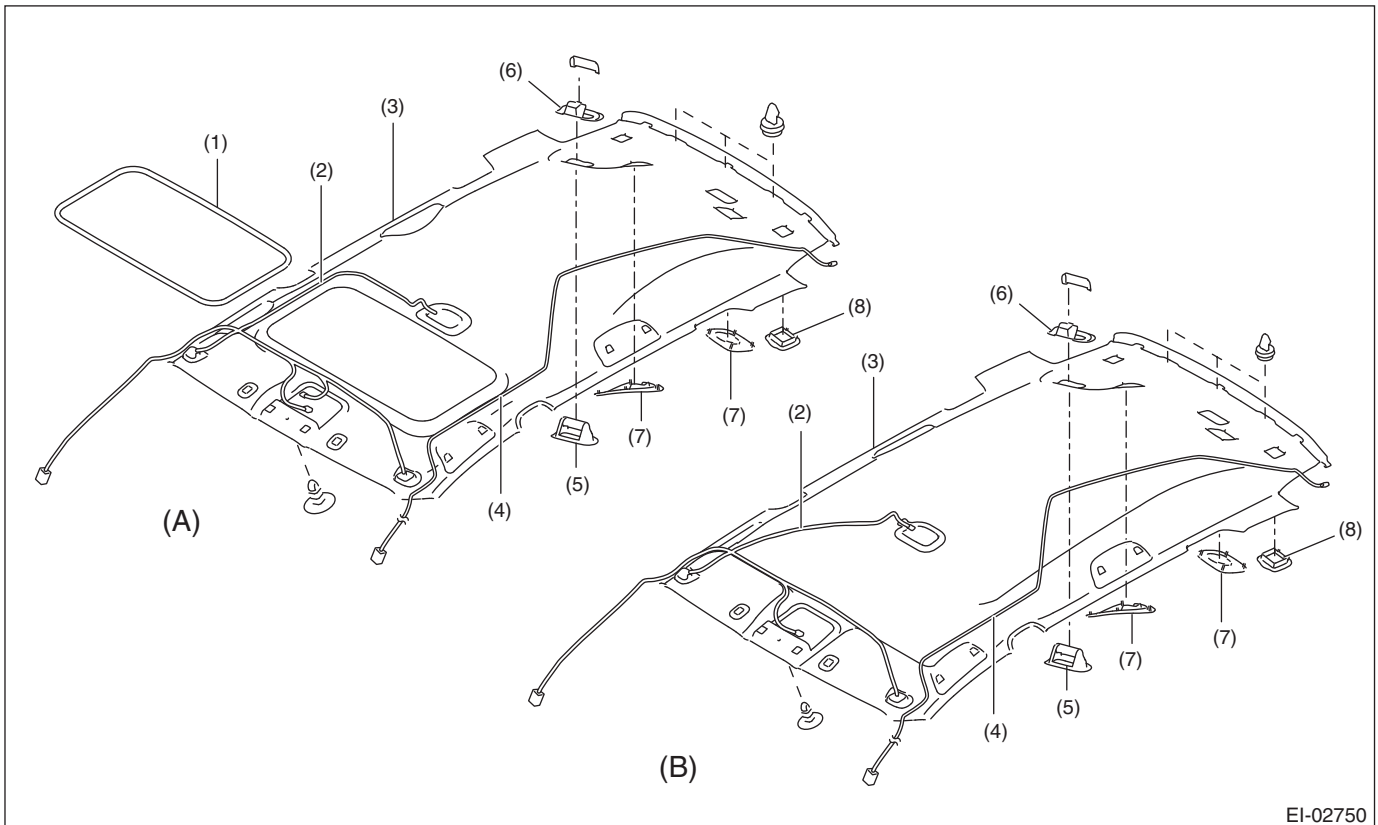
EI-02542

- |                              |                            |                      |
|------------------------------|----------------------------|----------------------|
| (1) Rear gate pillar trim RH | (4) Rear gate lower cap LH | (7) Rear gate handle |
| (2) Rear gate upper trim     | (5) Rear gate lower trim   |                      |
| (3) Rear gate pillar trim LH | (6) Rear gate lower cap RH |                      |

## 19. ROOF TRIM



EI-02749



EI-02750

(A) Model with sunroof

(B) Normal roof model

- (1) Sun roof garnish
- (2) Roof cord ASSY
- (3) Roof trim

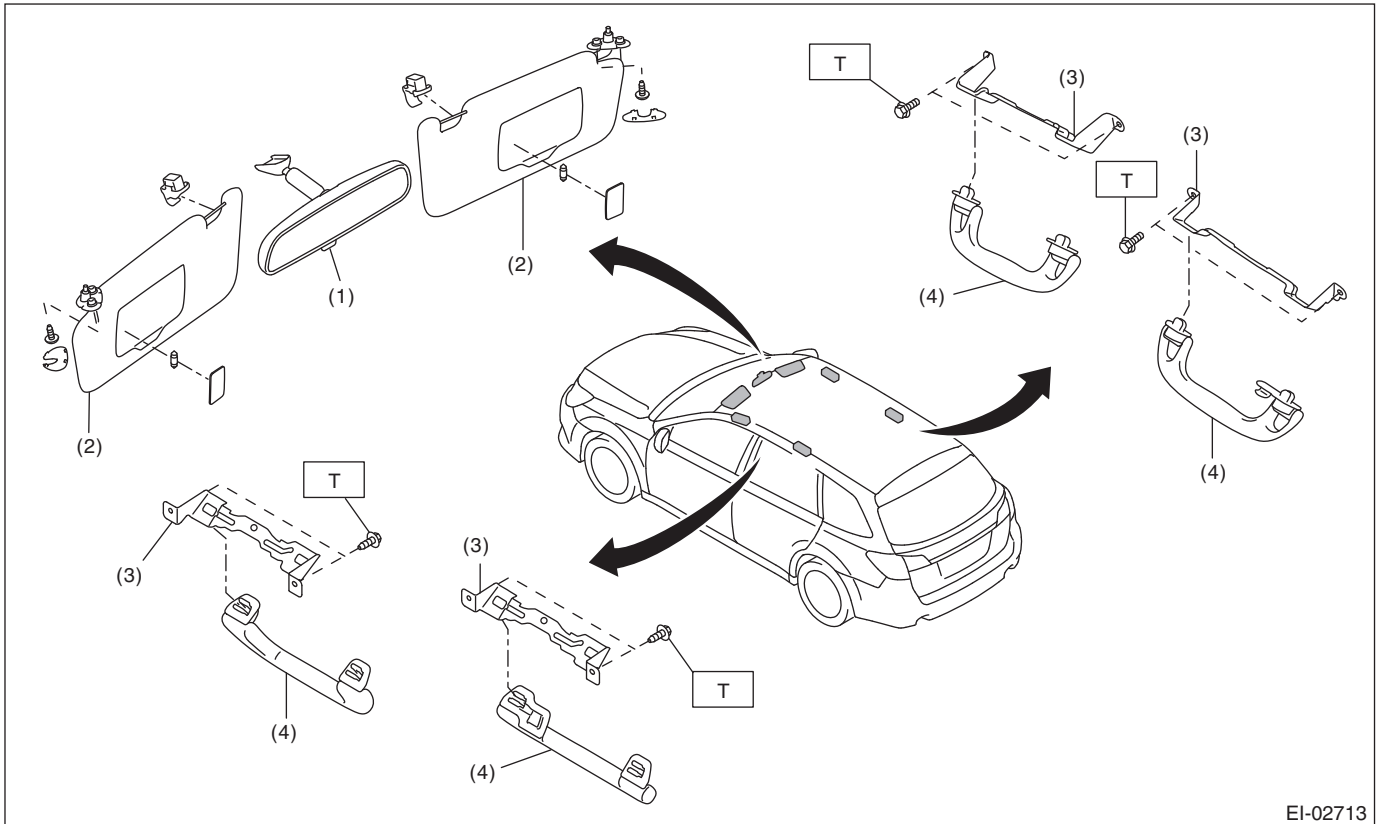
- (4) Feeder cord ASSY
- (5) Seat belt holder cover
- (6) Seat belt holder base

- (7) Speaker cover
- (8) Child anchor cover

# General Description

EXTERIOR/INTERIOR TRIM

## 20.ROOM INNER PARTS

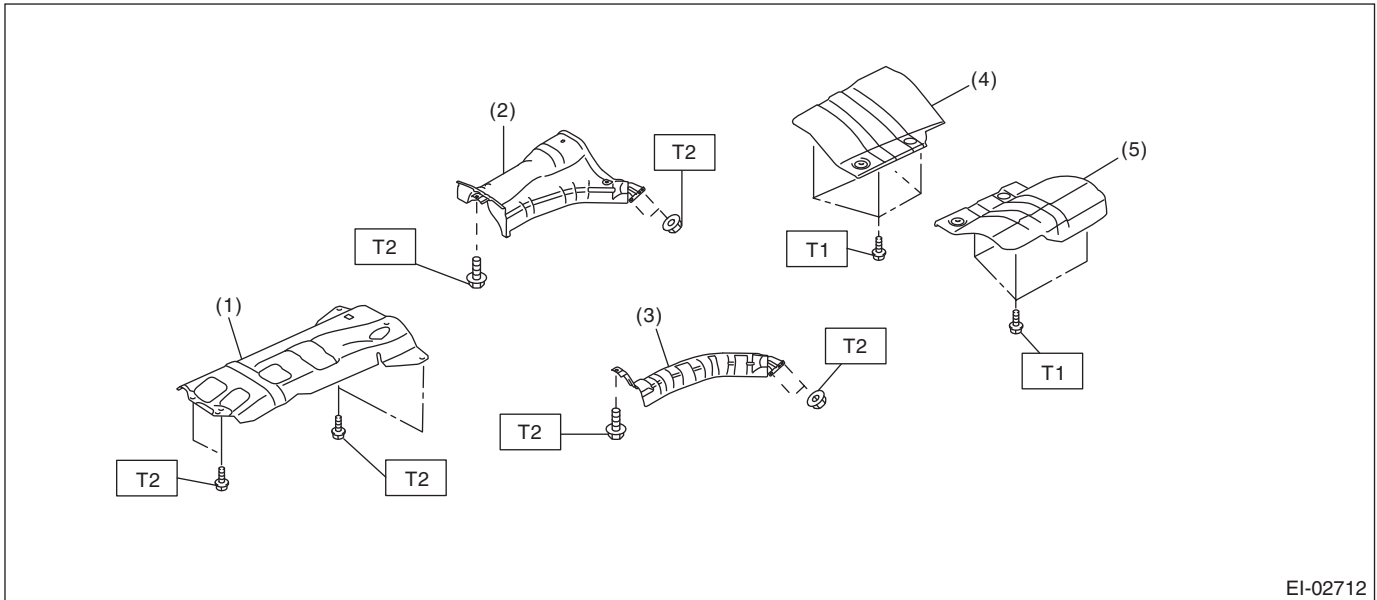


- (1) Room mirror
- (2) Sun visor

- (3) Assist grip bracket
- (4) Assist grip

**Tightening torque: N·m (kgf·m, ft·lb)**  
**T: 7.5 (0.76, 5.5)**

## 21.HEAT SHIELD COVER



EI-02712

- |  |   |
|--|---|
| (1) Front heat shield cover                    | (3) Rear heat shield cover RH (only DOHC model) |
| (2) Center heat shield cover (turbo model)     | (5) Rear heat shield cover LH                   |
| (3) Center heat shield cover (non-turbo model) |   |

**Tightening torque:N-m (kgf-m, ft-lb)**

**T1: 10 (1.02, 7.4)**

**T2: 18 (1.84, 13.3)**

## B: PREPARATION TOOL

TOOL NAME	REMARKS
Clip remover	Used for removing trim. <ul style="list-style-type: none"> <li>• KTC AP201-10A</li> <li>• KTC AP201-N</li> <li>• KTC AP203-10A</li> <li>• KTC AP20L-10B</li> </ul> or equivalent
Clip clamp pliers	Used for removal of various clips and clamps. <ul style="list-style-type: none"> <li>• KTC CCP-190</li> </ul> or equivalent