

Rear Bumper

EXTERIOR/INTERIOR TRIM

10.Rear Bumper

A: REMOVAL

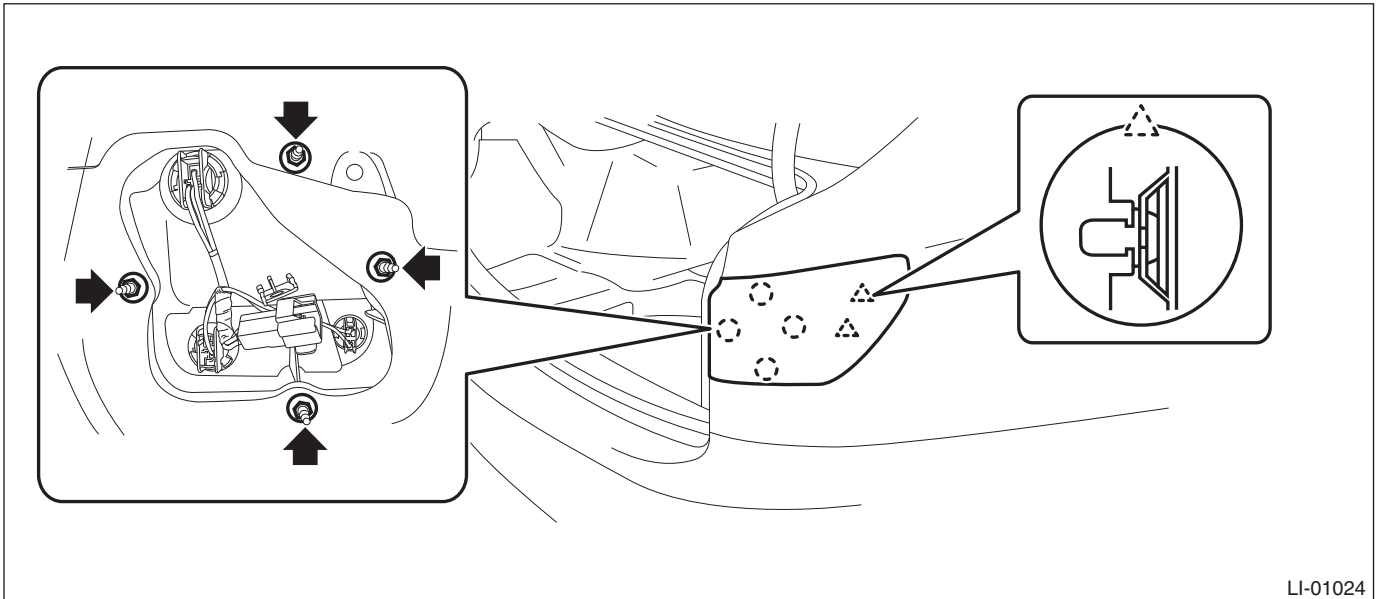
1) Remove the rear combination light assembly.

- Sedan model

1. Remove the trunk room trim. <Ref. to EI-127, REMOVAL, Trunk Room Trim.>
2. Disconnect the connector.
3. Release the nuts and clips, then remove the rear combination light assembly.

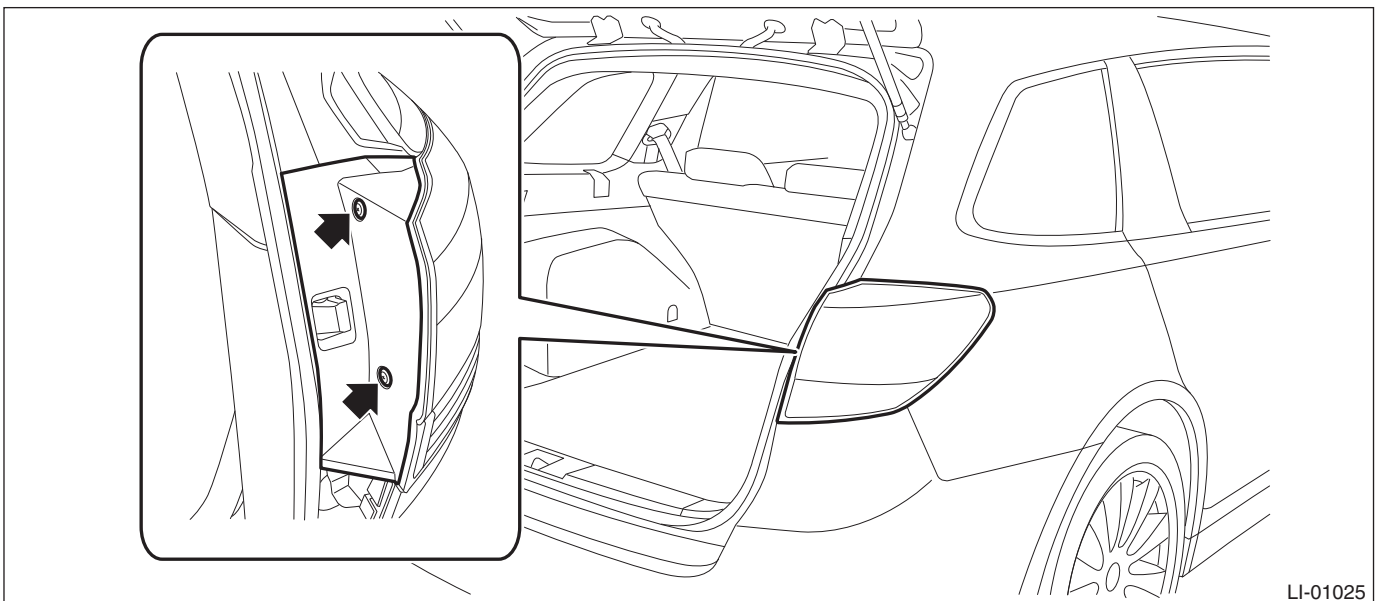
CAUTION:

Be careful not to damage the clips.



- OUTBACK model

1. Remove the clips and detach the rear combination light covers.

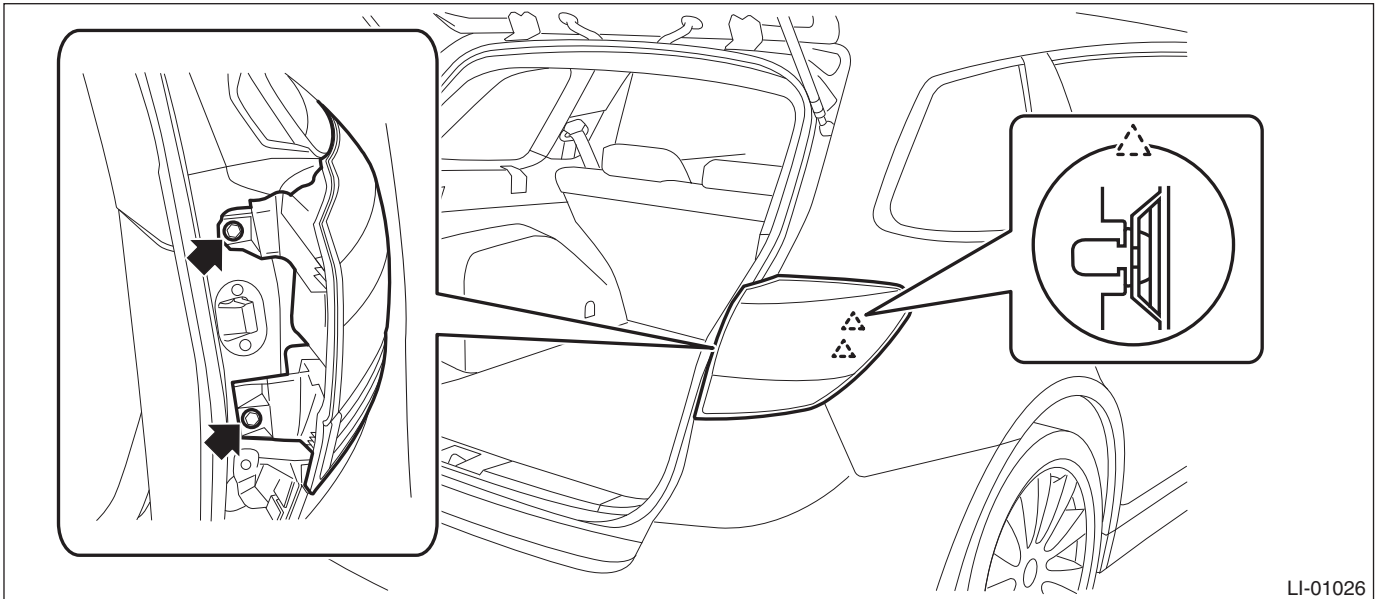


2. Release the bolts and clips, then pull out the rear combination light assembly to the vehicle rear.

3. Disconnect the connector and remove the rear combination light assembly.

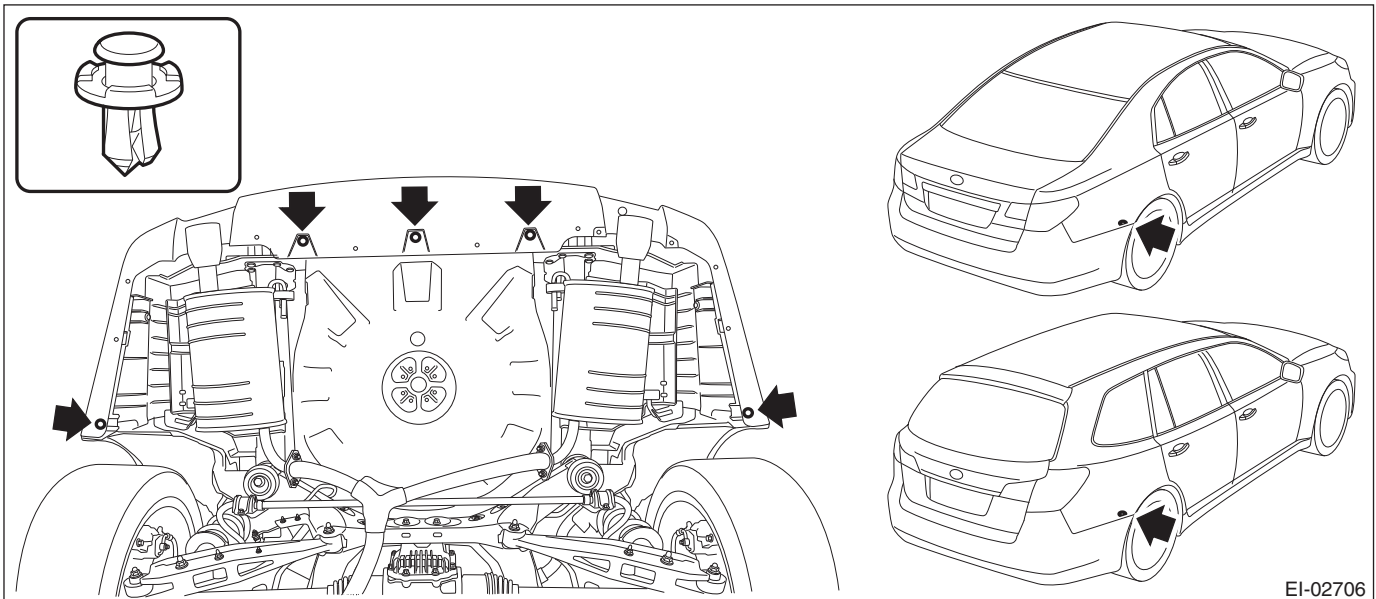
CAUTION:

Be careful not to damage the clips.



LI-01026

- 2) Remove the rear bumper face assembly.
 - (1) Remove the clip inside the wheel house.
 - (2) Remove the clips at the lower side of rear bumper.



EI-02706

- (3) Detach the (b) and (c) while pulling up (a) of the bumper.
- (4) Detach (e) while pulling up the bumper (d).
- (5) Detach the opposite side in the same manner.

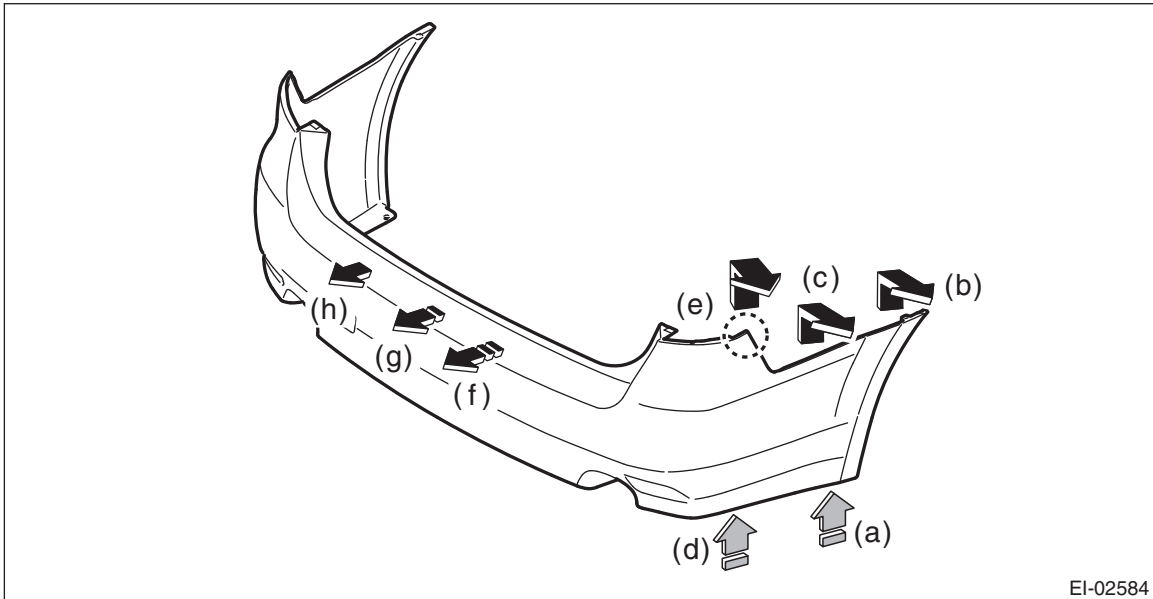
Rear Bumper

EXTERIOR/INTERIOR TRIM

(6) Detach in order from (f) to (h) while pulling up center part of the bumper face.

CAUTION:

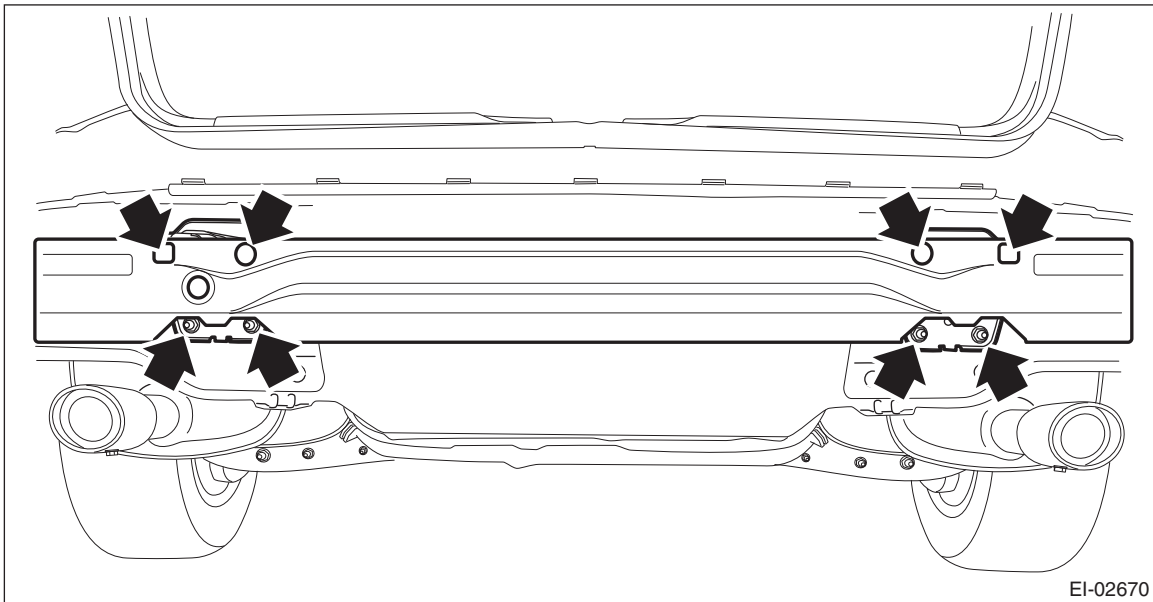
Do not pull with a excessive force. Otherwise the bracket installation area may be damaged.



3) Remove the rear bumper beam assembly.

(1) Remove the energy absorber foam.

(2) Remove the nuts, and remove the rear bumper beam assembly from vehicle body.

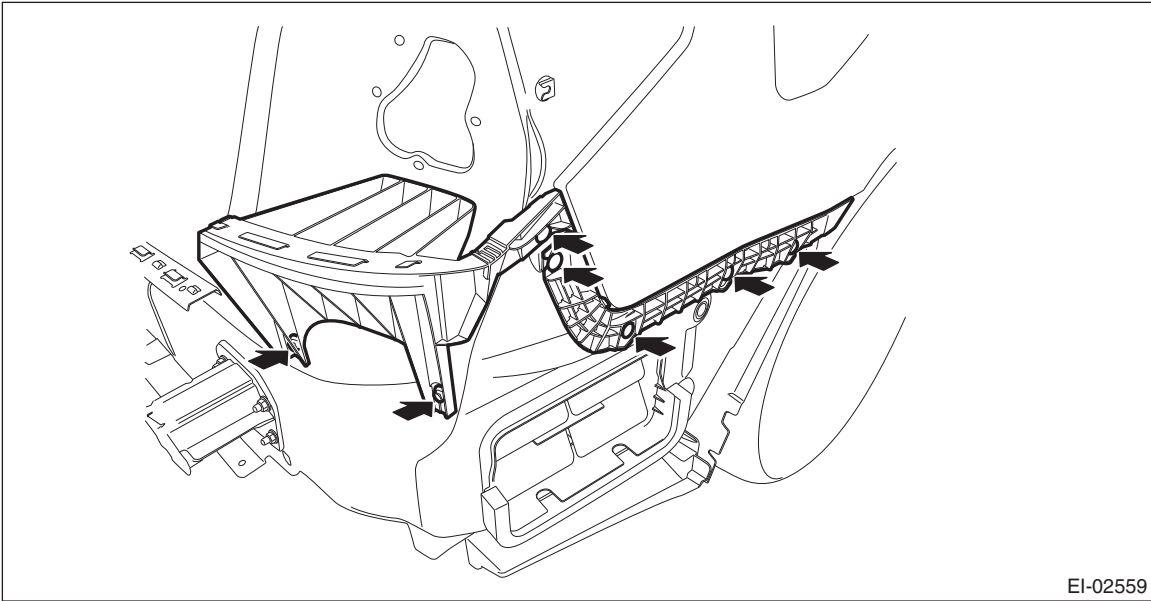


NOTE:

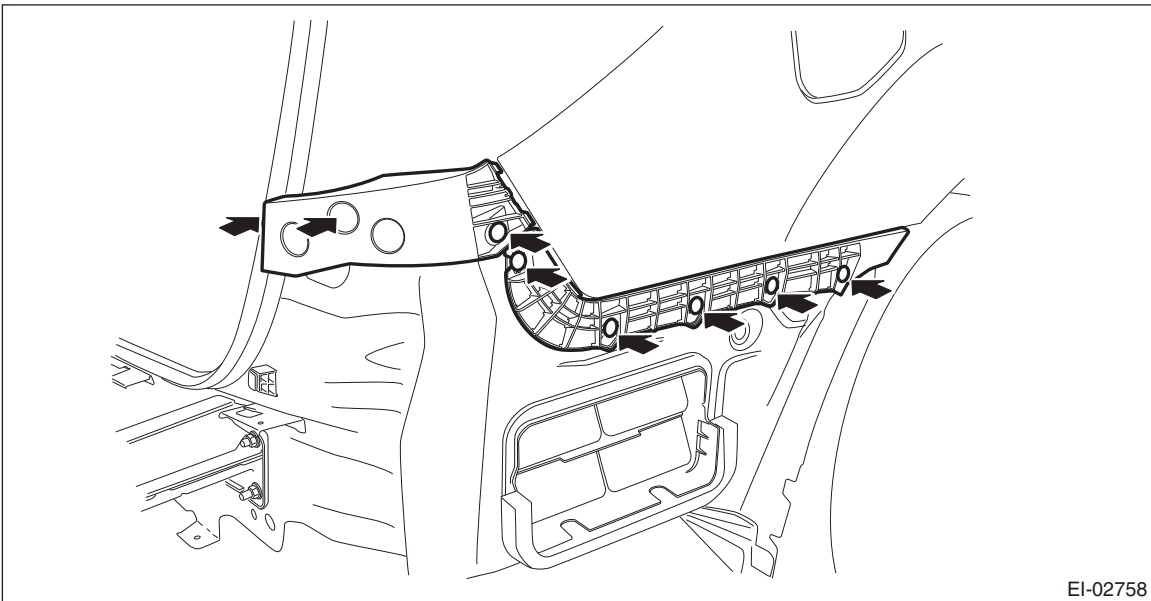
After all nuts are removed, raise the rear bumper beam assembly a little to remove it from vehicle body.

4) Remove bumper brackets.

- Sedan model



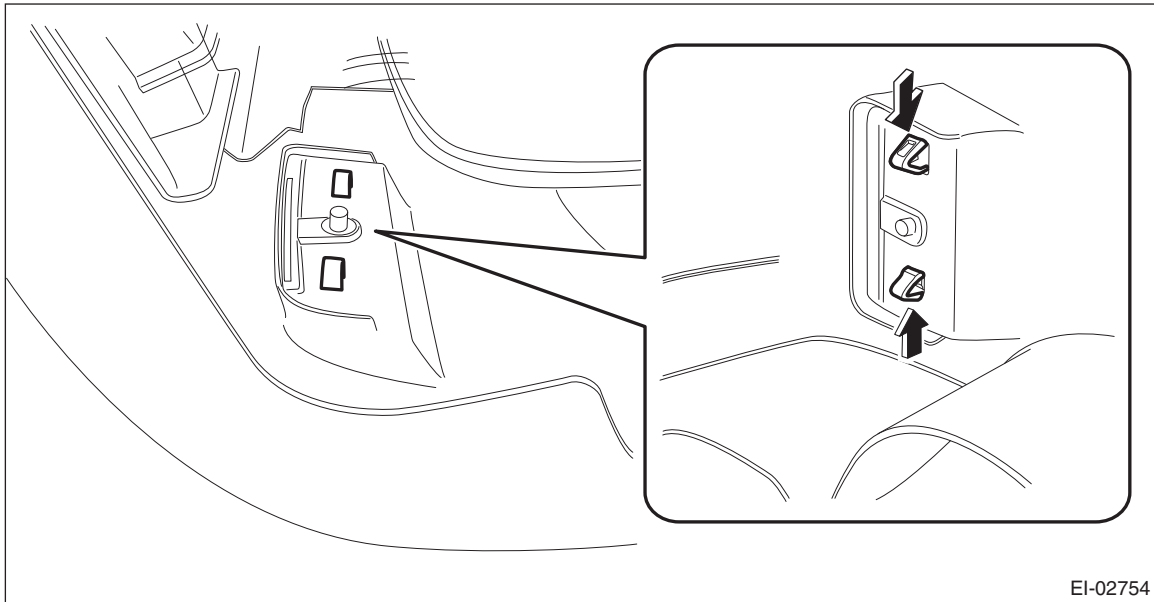
- OUTBACK model



Rear Bumper

EXTERIOR/INTERIOR TRIM

5) Remove the reflex reflector. (OUTBACK model)



- (1) Press the claws of reflex reflector from the back of the bumper face.
- (2) Remove the reflex reflector.

B: INSTALLATION

Install each part in the reverse order of removal.

NOTE:

If the bumper face comes off too easily, adjust the hook of the bracket side.

Tightening torque:

Refer to "COMPONENT" of "General Description". <Ref. to EI-6, REAR BUMPER, COMPONENT, General Description.>

C: REPAIR

Refer to the front bumper repair. <Ref. to EI-45, REPAIR, Front Bumper.>