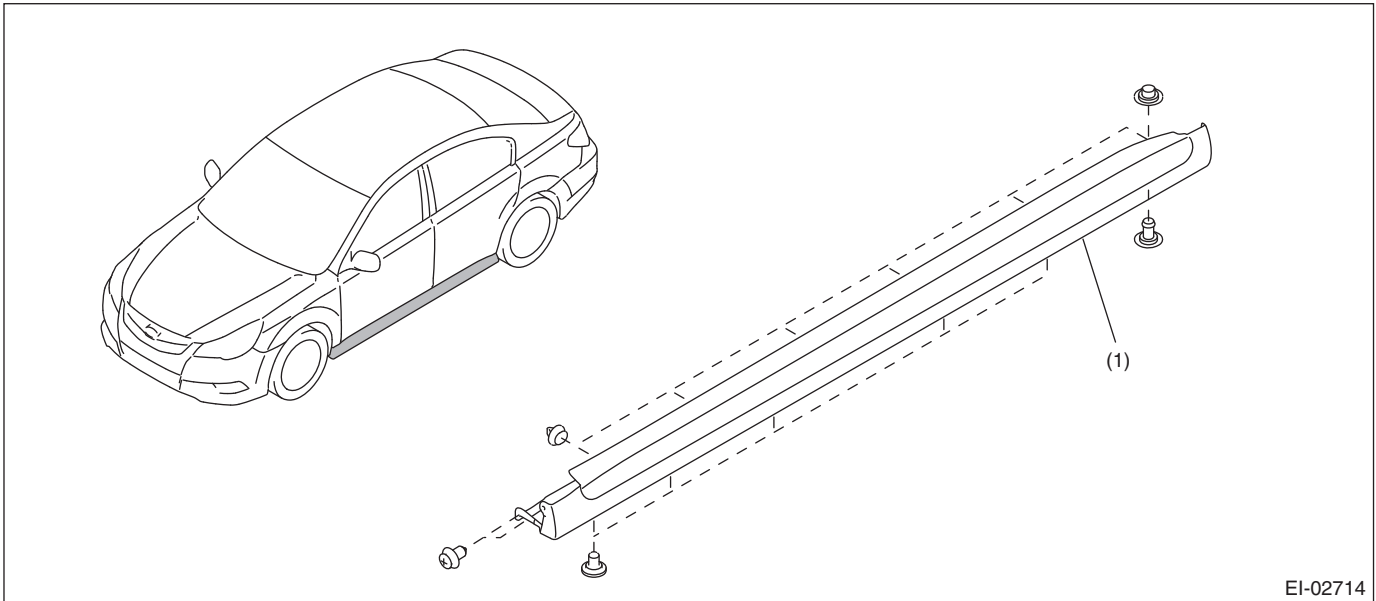


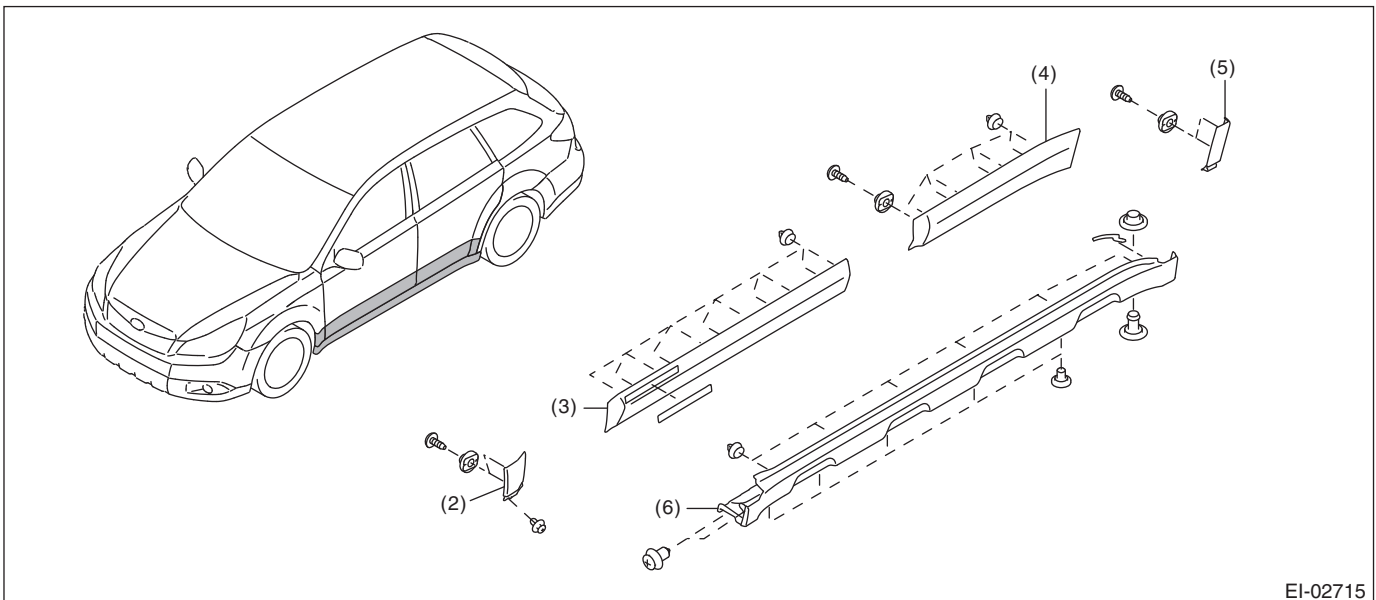
11.Side Sill Spoiler

A: REMOVAL

Remove the clips and detach the side spoiler.



EI-02714



EI-02715

- | | | |
|--|--|--|
| (1) Side sill garnish ASSY (Sedan model) | (3) Garnish ASSY front door (OUT-BACK model) | (5) Garnish ASSY rear quarter (OUT-BACK model) |
| (2) Garnish ASSY front fender (OUT-BACK model) | (4) Garnish ASSY rear door (OUT-BACK model) | (6) Side sill garnish ASSY (OUT-BACK model) |

B: INSTALLATION

Install each part in the reverse order of removal.