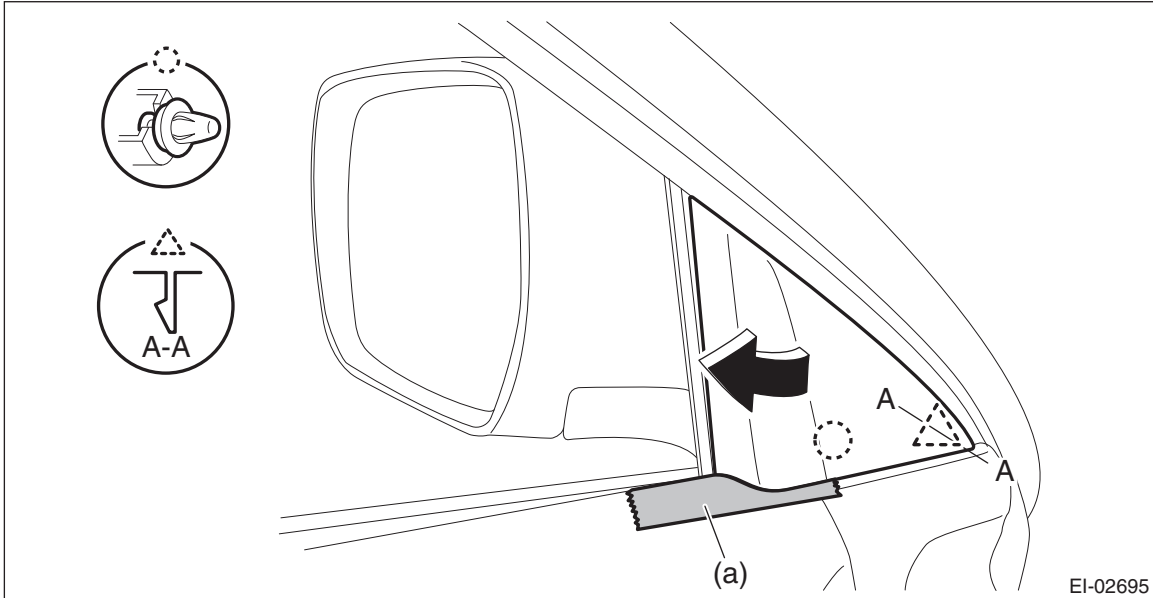


14. Door Trim

A: REMOVAL

1. FRONT DOOR

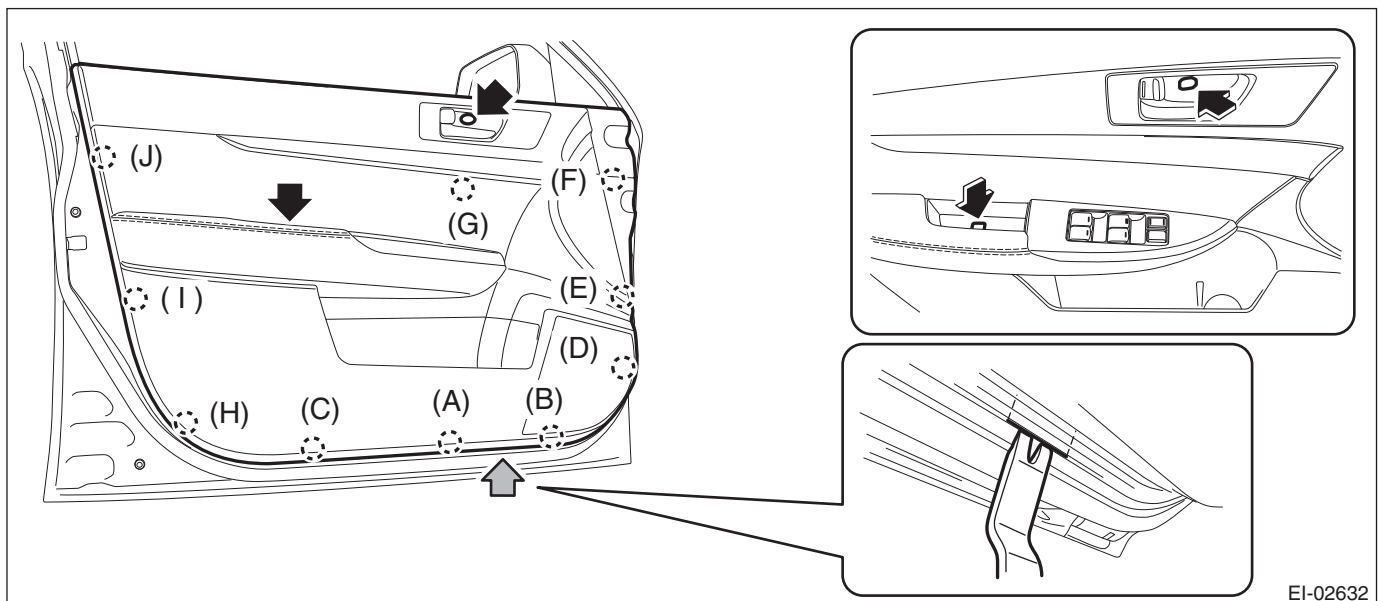
- 1) Disconnect the ground cable from battery.
- 2) Remove the gusset cover.
 - (1) Attach the protective tape (a) to the door trim.
 - (2) Release the clips and claws, then detach the gusset cover.



- 3) Remove the front door trim assembly.
 - (1) Open the cover and remove the screw.
 - (2) Remove the clips in the order of (A) to (J) and remove the front door trim assembly from the door panel.

CAUTION:

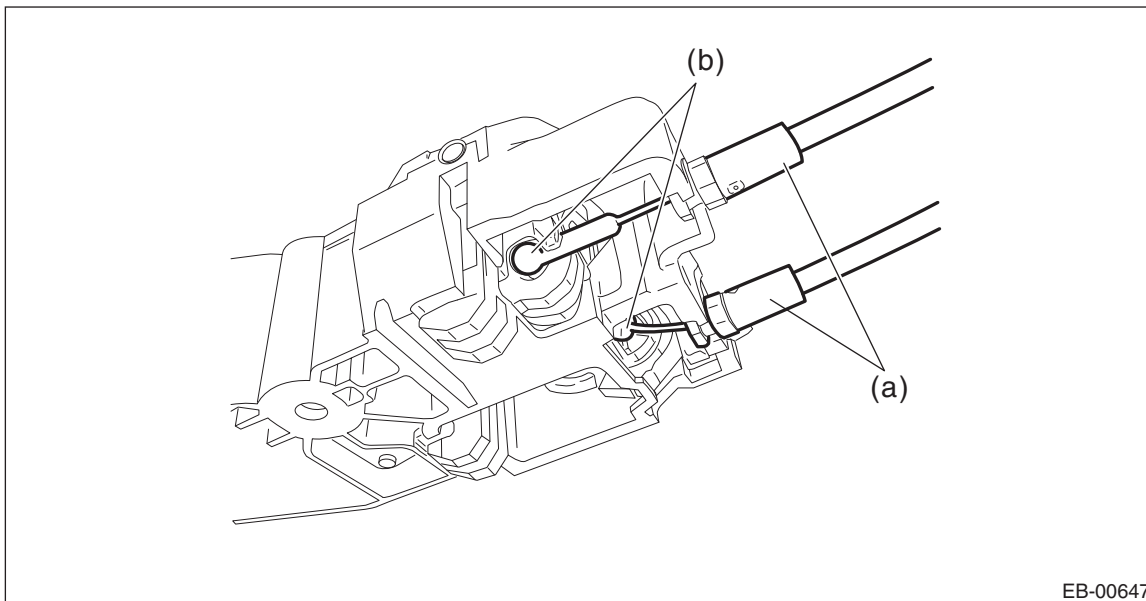
When removing the door trim, be sure to remove the clips in the correct order. Forcibly removing clips may damage the door panel assembly.



NOTE:

Insert a plastic clip remover into the slit at the bottom edge of the door trim and lift the door trim.

(3) Remove the cables (a) and (b) from the cable holder of inner remote.



EB-00647

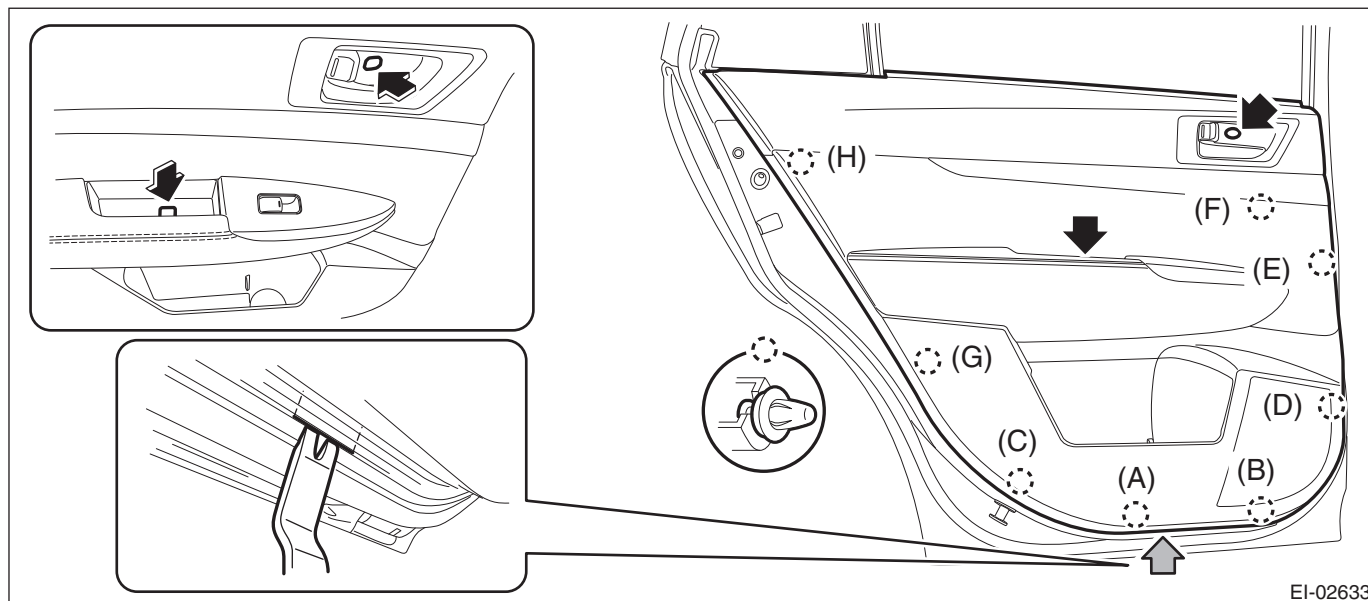
(4) Disconnect the harness connector and remove the door trim assembly.

2. REAR DOOR

- 1) Disconnect the ground cable from battery.
- 2) Remove the rear door trim assembly.
 - (1) Open the cover and remove the screw.
 - (2) Remove the clips in the order of (A) to (H) and remove the rear door trim assembly from the door panel.

CAUTION:

When removing the door trim, be sure to remove the clips in the correct order. Forcibly removing clips may damage the door panel assembly.



EI-02633

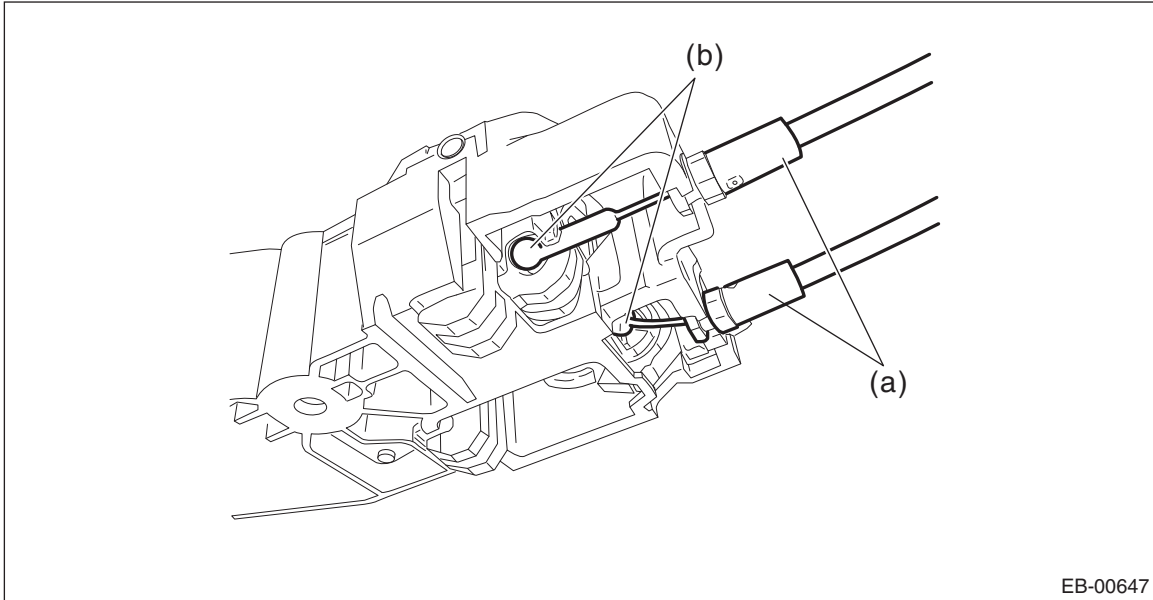
NOTE:

Insert a plastic clip remover into the slit at the bottom edge of the door trim and lift the door trim.

Door Trim

EXTERIOR/INTERIOR TRIM

- (3) Remove the cables (a) and (b) from the cable holder of inner remote.



- (4) Disconnect the harness connector and remove the door trim.

B: INSTALLATION

Install each part in the reverse order of removal.