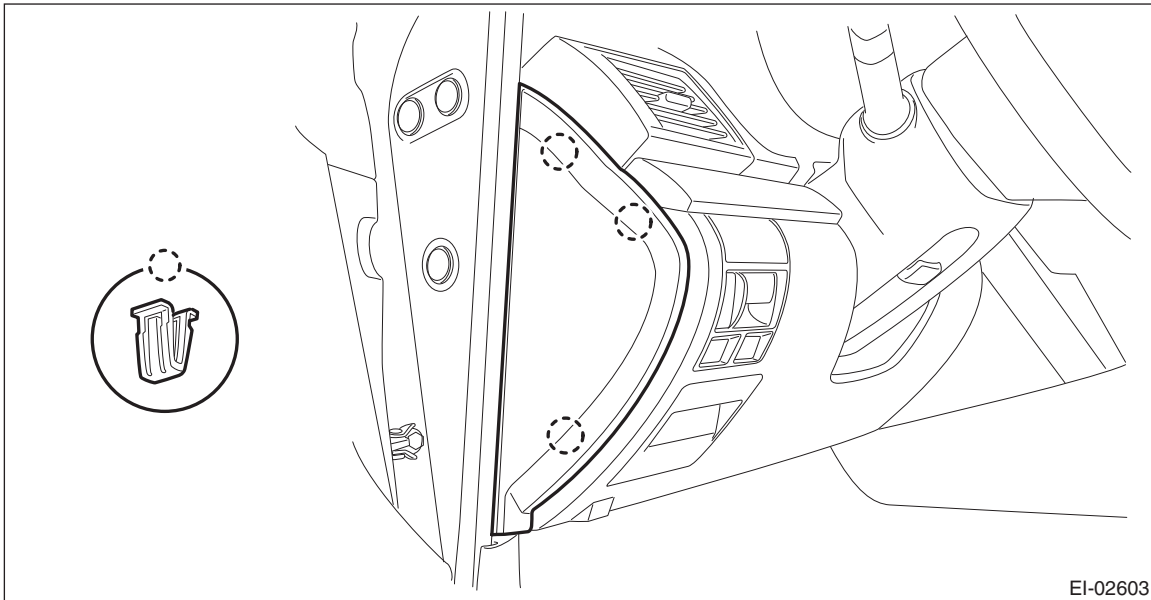


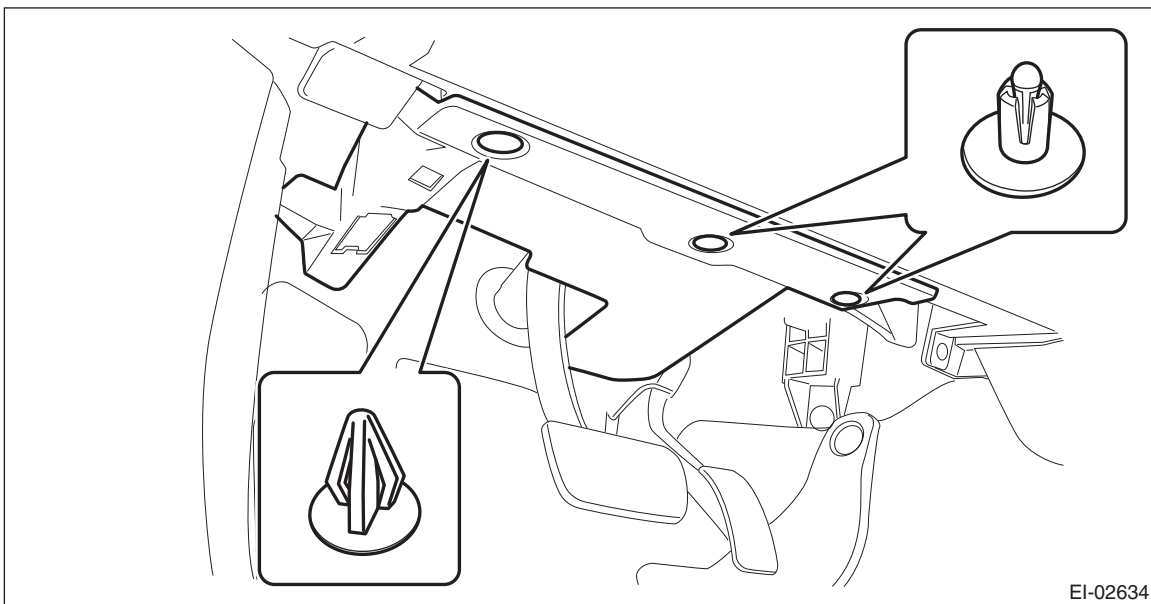
## 15. Instrument Panel Lower Cover

### A: REMOVAL

- 1) Disconnect the ground cable from battery.
- 2) Remove the clips, and remove the instrument panel side cover LH.



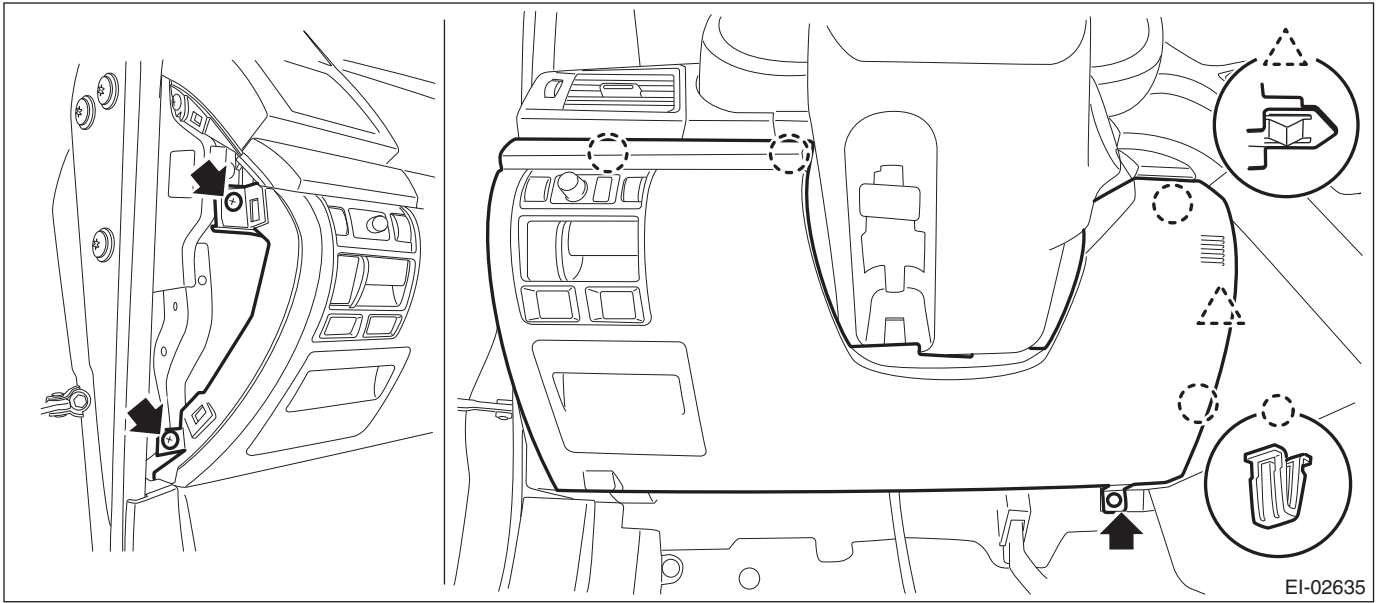
- 3) Remove the instrument panel lower cover.
  - (1) Remove the clips and data link connector, and remove the instrument panel lower cover under.



## Instrument Panel Lower Cover

### EXTERIOR/INTERIOR TRIM

(2) Remove the screws and clips and release the claws, and remove the instrument panel lower cover while disconnecting the harness connectors.



### **B: INSTALLATION**

Install each part in the reverse order of removal.