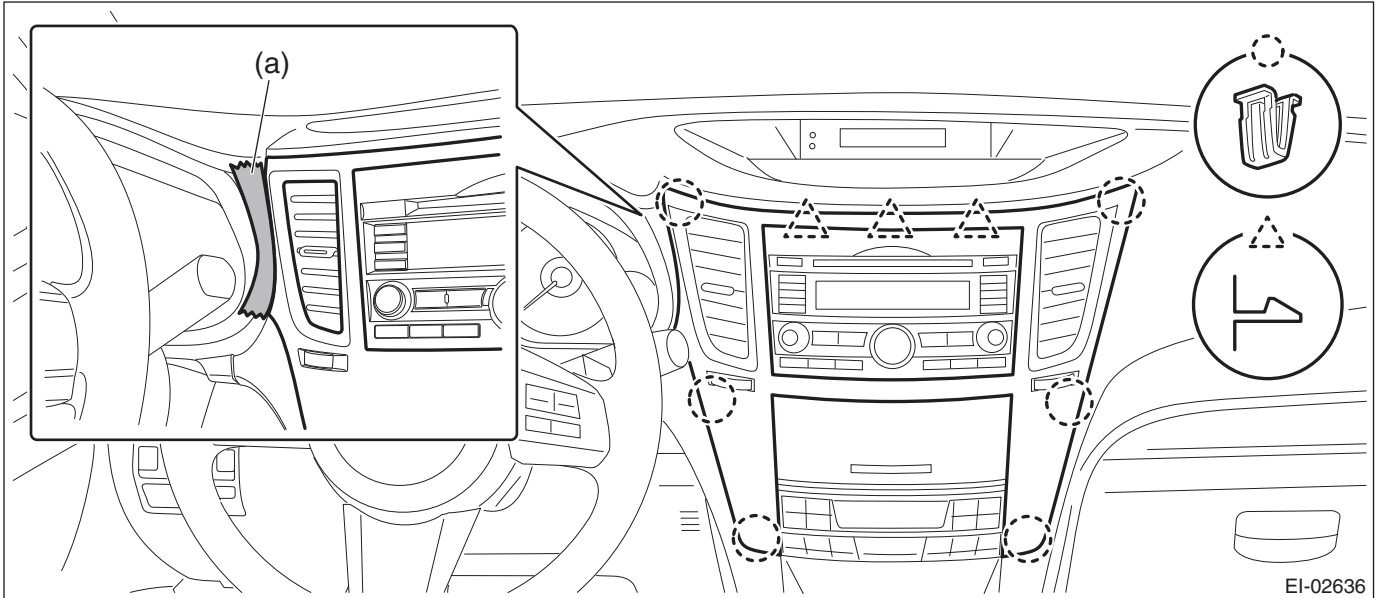


17.Center Console

A: REMOVAL

1. CENTER PANEL ASSY

- 1) Attach the protective tape (a) to the meter visor.
- 2) Remove the center panel assembly.



- (1) Insert a finger into the air vent grille and release the left and right clips at the top of the center panel.
(A), (B)

CAUTION:

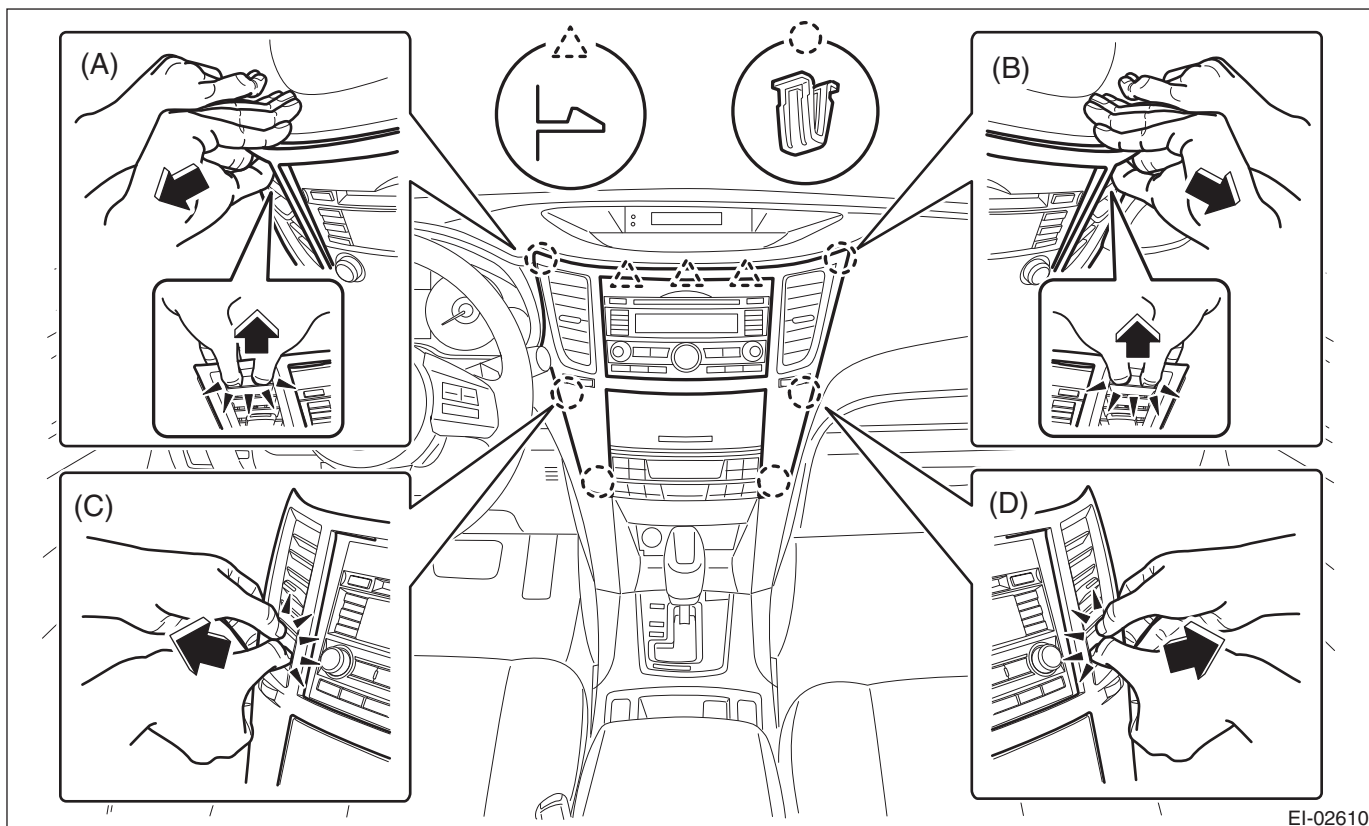
Do not put your finger on the fin of the air vent grille. Doing so may damage the fin.

- (2) Insert a finger into the air vent grille and release the left and right clips at the center of the center panel.
(C), (D)

CAUTION:

Do not put your finger on the fin of the air vent grille. Doing so may damage the fin.

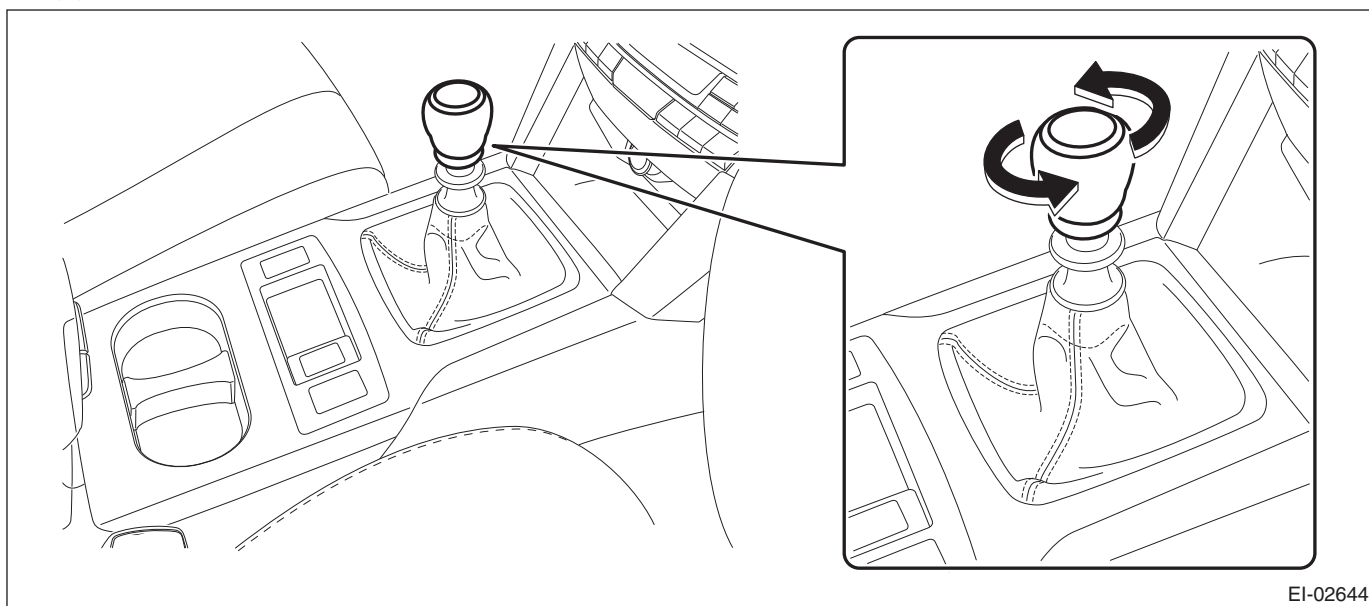
(3) Release the clips at the bottom of the center panel and remove the center panel assembly.



2. CONSOLE FRONT COVER

MT model

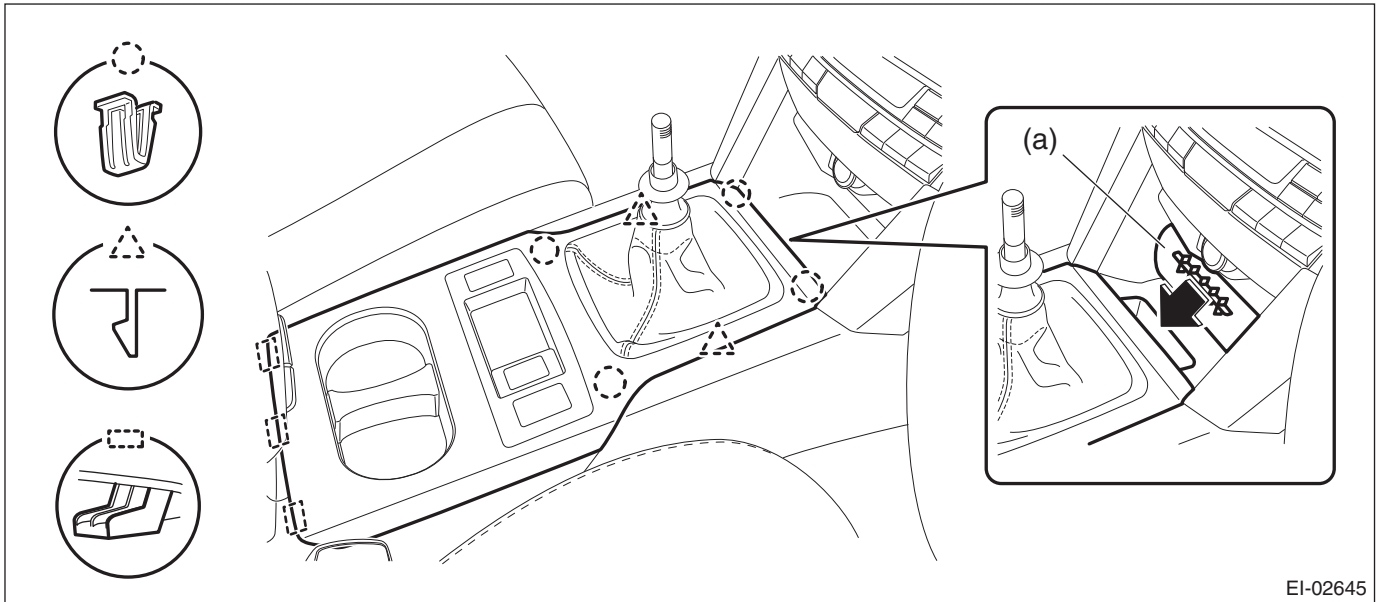
- 1) Remove the console front cover assembly.
 - (1) Remove the shift knob.



Center Console

EXTERIOR/INTERIOR TRIM

- (2) Release the clips and claws, then pull up the console front cover assembly.



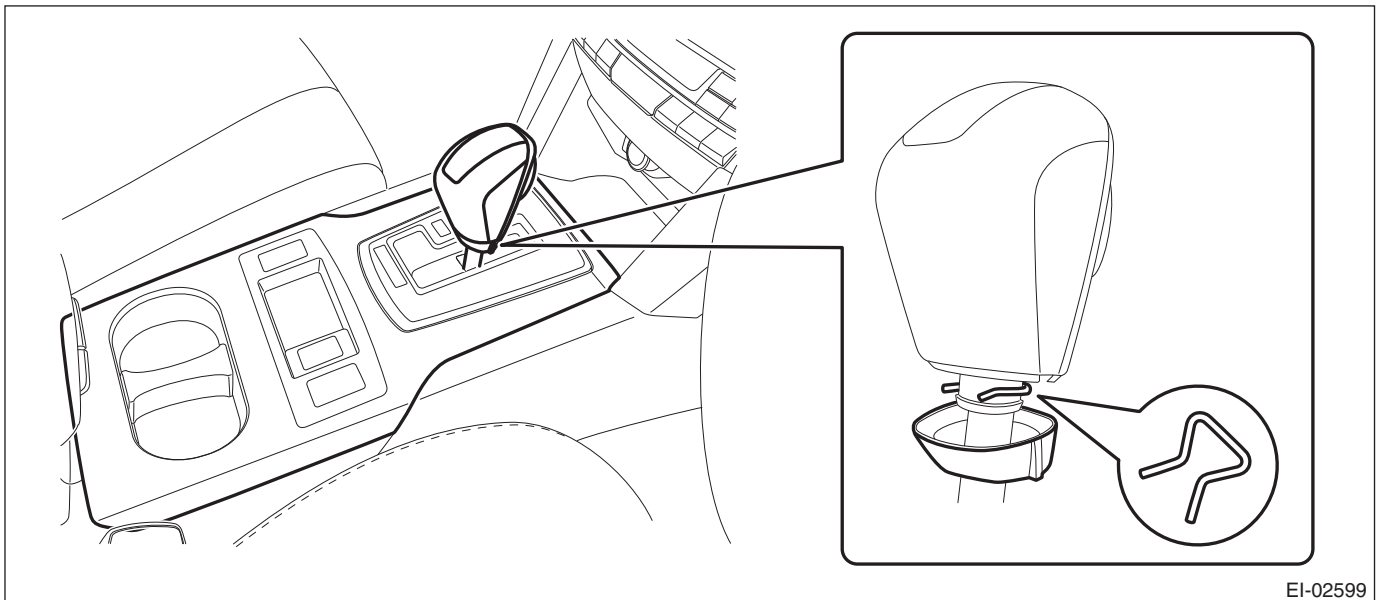
NOTE:

Turn over the front center pocket mat (a) and pull up the console front cover from the slit.

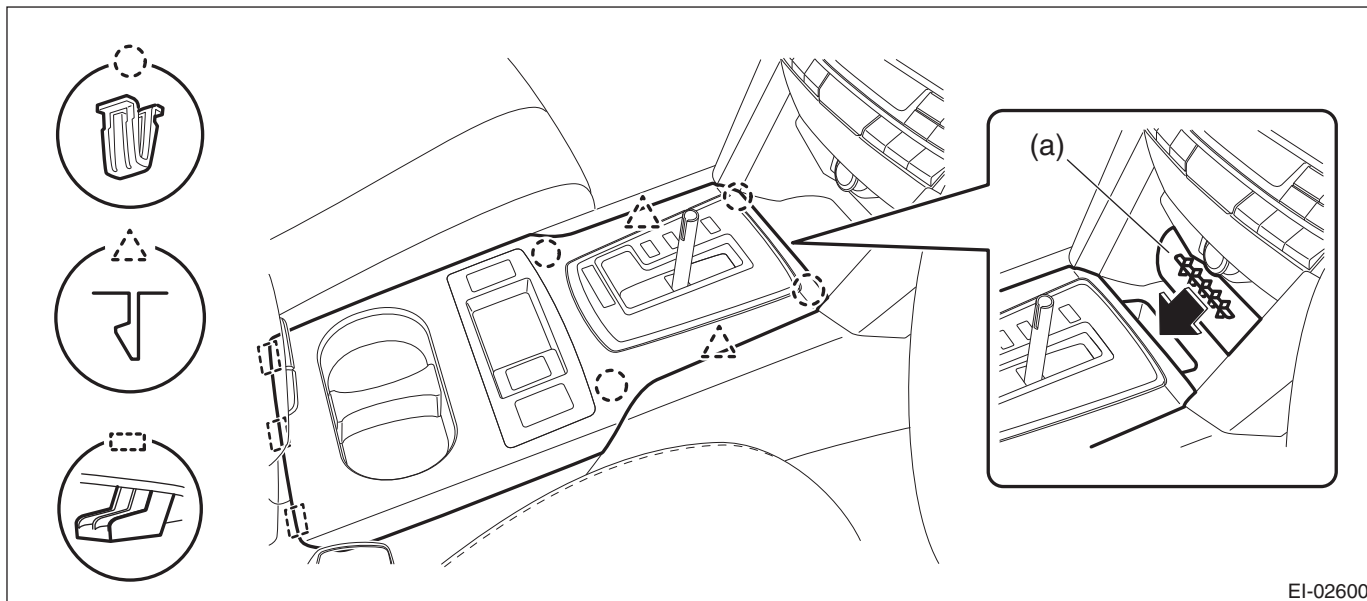
- (3) Disconnect the harness connector and remove the console front cover assembly.

AT model

- 1) Remove the console front cover assembly.
 - (1) Remove the select lever knob.
 - a) Lower the cover grip AT.
 - b) Remove the clamp grip pin, then remove the select lever knob.



(2) Release the clips and claws, then pull up the console front cover assembly.



NOTE:

Turn over the front center pocket mat (a) and pull up the console front cover from the slit.

(3) Disconnect the harness connector and remove the console front cover assembly.

B: INSTALLATION

Install each part in the reverse order of removal.