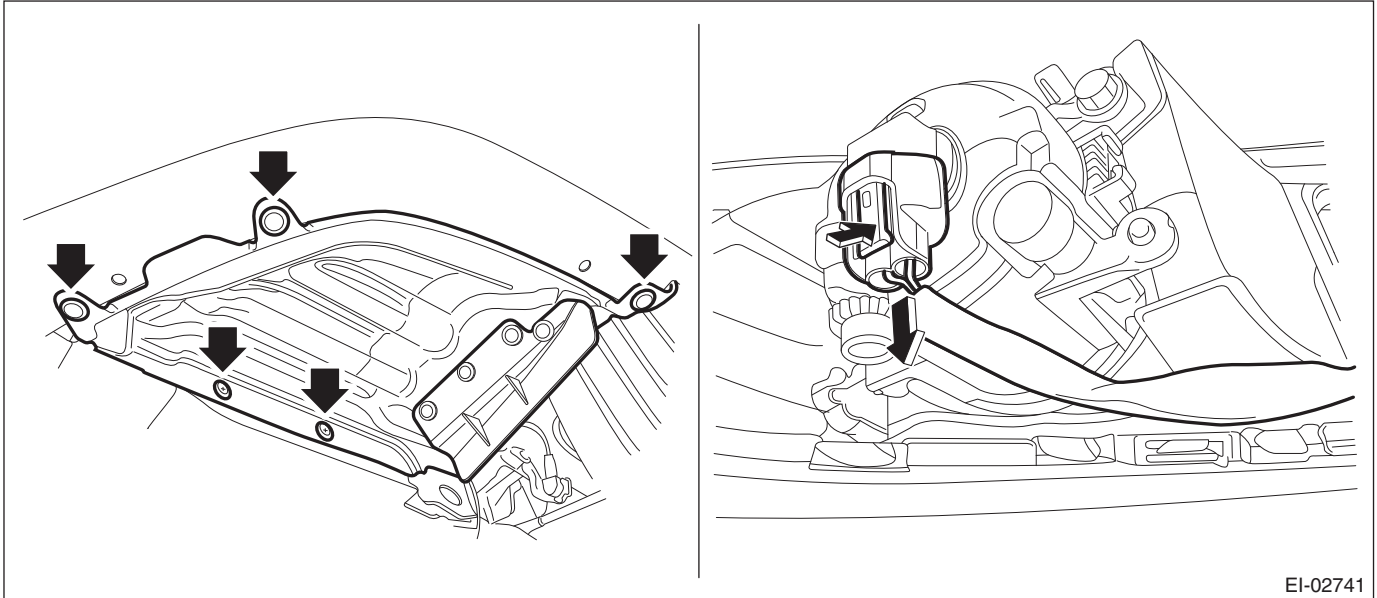


## 2. Front Grille

### A: REMOVAL

1) Remove the front bumper face assembly.

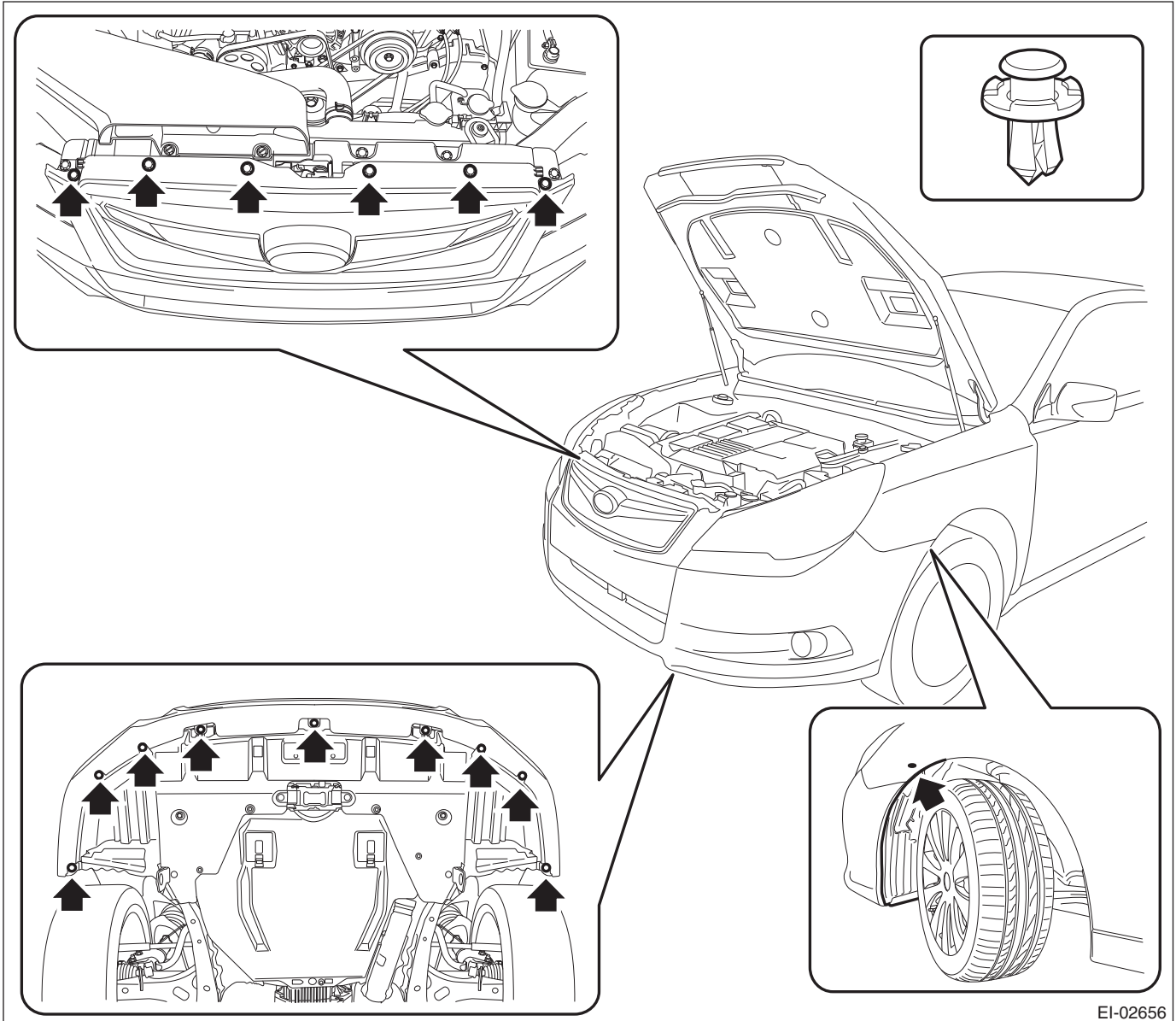
(1) Remove the clips, turn over the front mud guard, and disconnect the fog light connector. (Model with fog light)



(2) Remove the clips at the upper side of the bumper.

(3) Remove the clips from the fender.

(4) Remove the clips at the lower side of bumper.



EI-02656

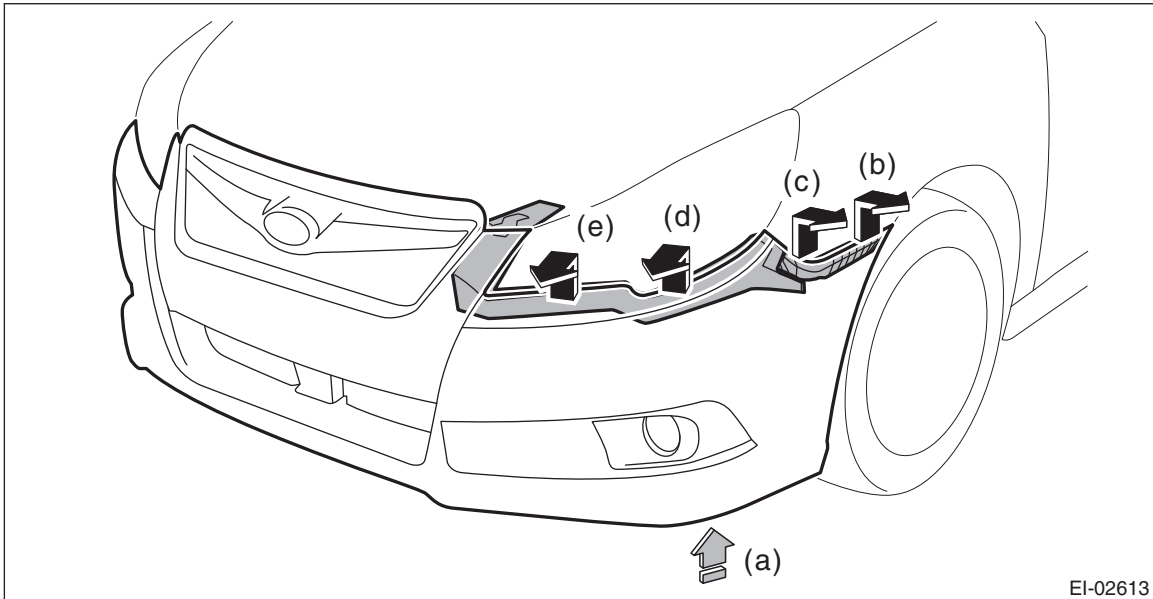
## Front Grille

### EXTERIOR/INTERIOR TRIM

(5) Detach the flange section on the bumper face side from the bracket side front UPR.

#### CAUTION:

Do not pull forcibly. Doing so may damage the flange sections on the bumper face side.



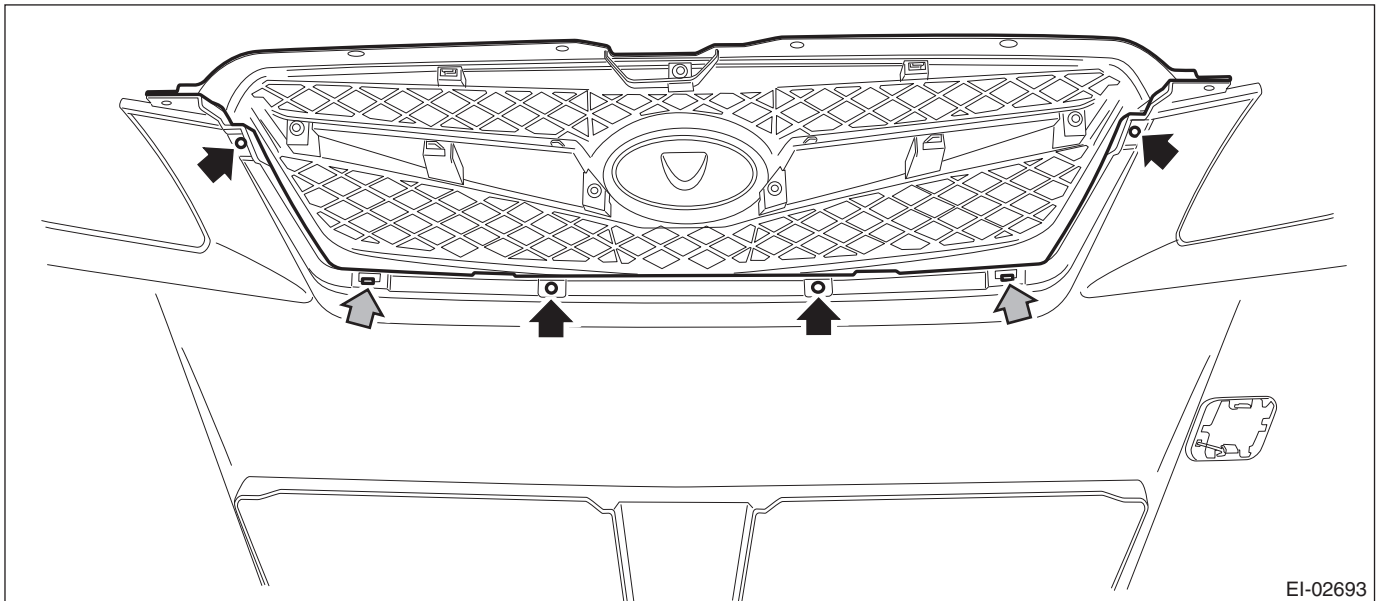
#### NOTE:

Detach the parts in order from (b) to (e) while pulling up the lower side of the fog light (a). Detach the opposite side in the same manner.

2) Remove the front grille assembly.

(1) Remove the screws from the back side of bumper face.

(2) Release the claws, and remove the front grille assembly.

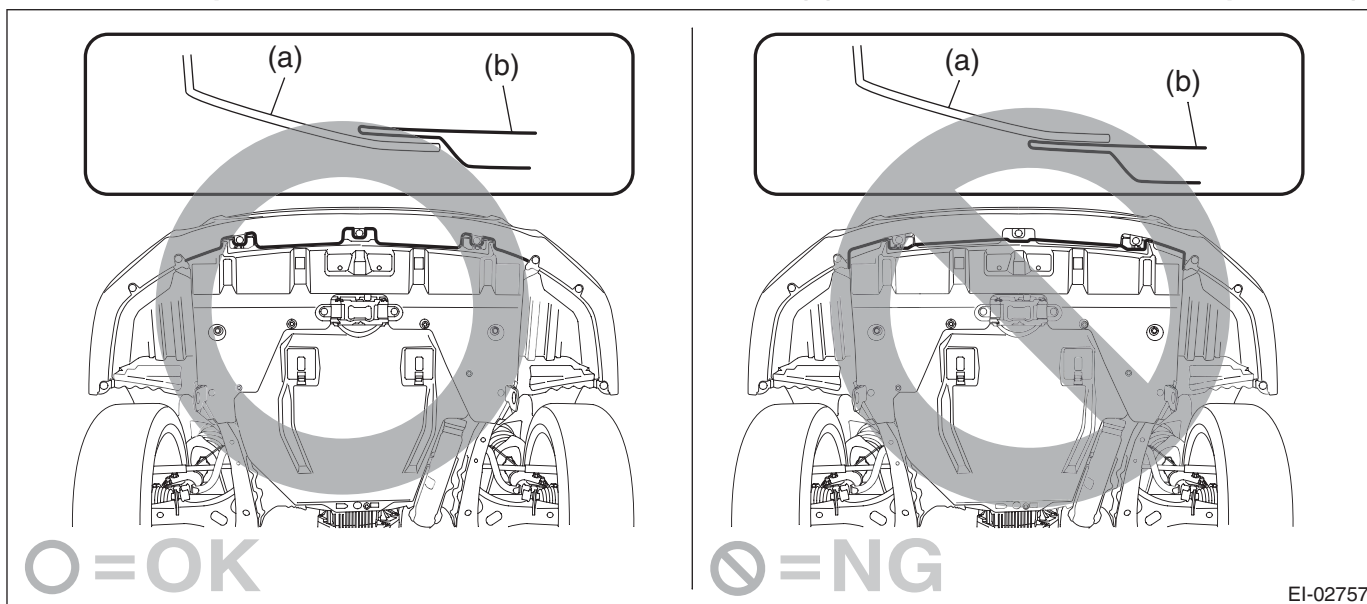


## B: INSTALLATION

Install each part in the reverse order of removal.

### CAUTION:

Install the bumper face so that the under cover front end (b) comes inside the front bumper face (a).



EI-02757