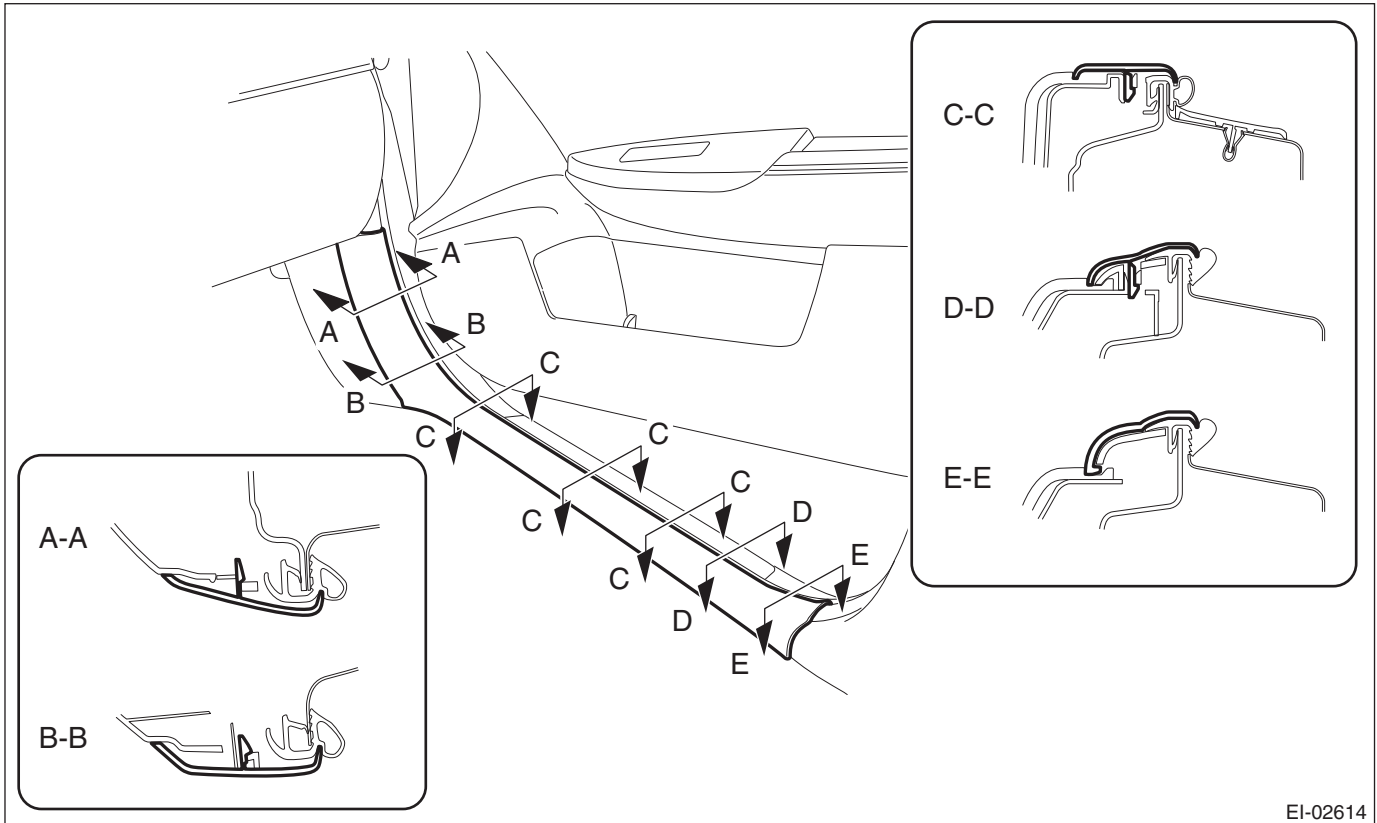


20.Lower Inner Trim

A: REMOVAL

1) Release the claws, and then remove the side sill cover-front INN.



EI-02614

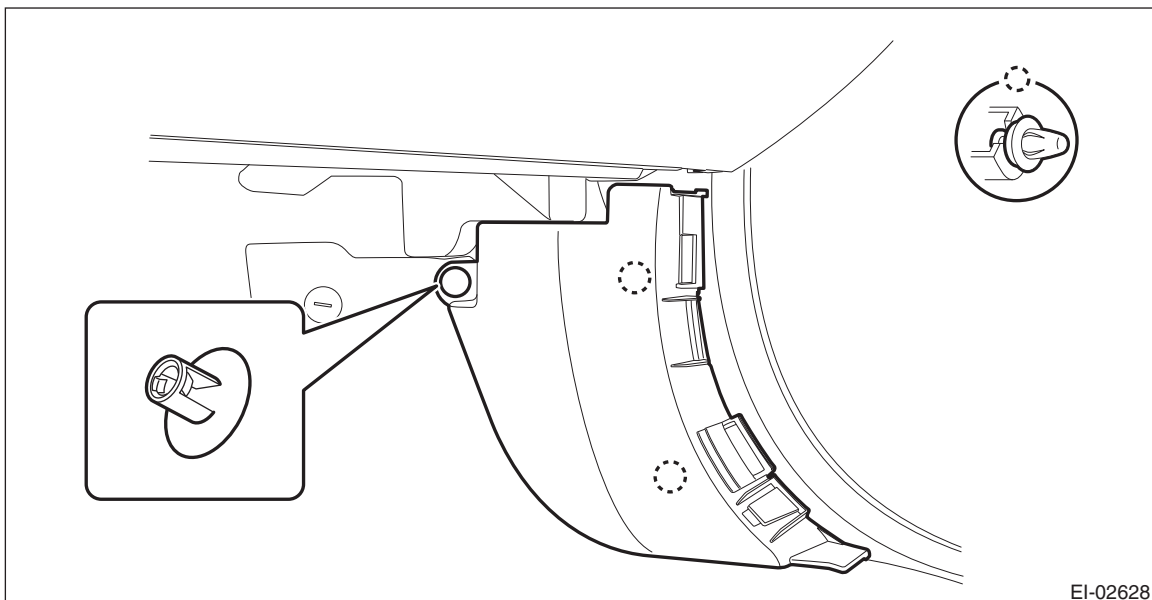
CAUTION:

Do not pull with excessive force. Doing so may damage the claws of the side sill cover INN.

NOTE:

To release the claws of the side sill cover INN, the following steps are recommended.

1. Take out the weather strip from under the side sill cover INN.
2. Turn over the floor mat and release the claw (C) by accessing from behind the side sill cover INN.
- 2) Remove the clip, and remove the side sill cover front.



EI-02628

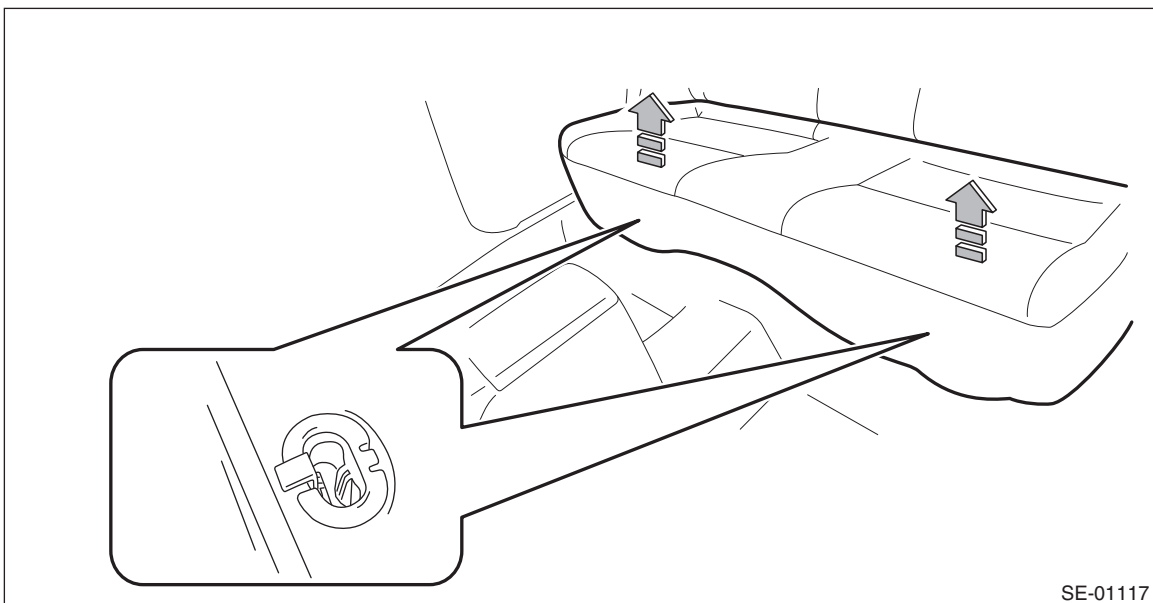
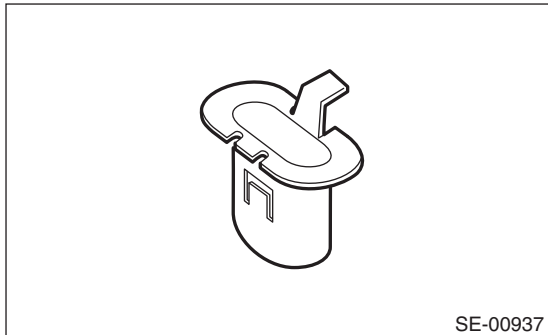
Lower Inner Trim

EXTERIOR/INTERIOR TRIM

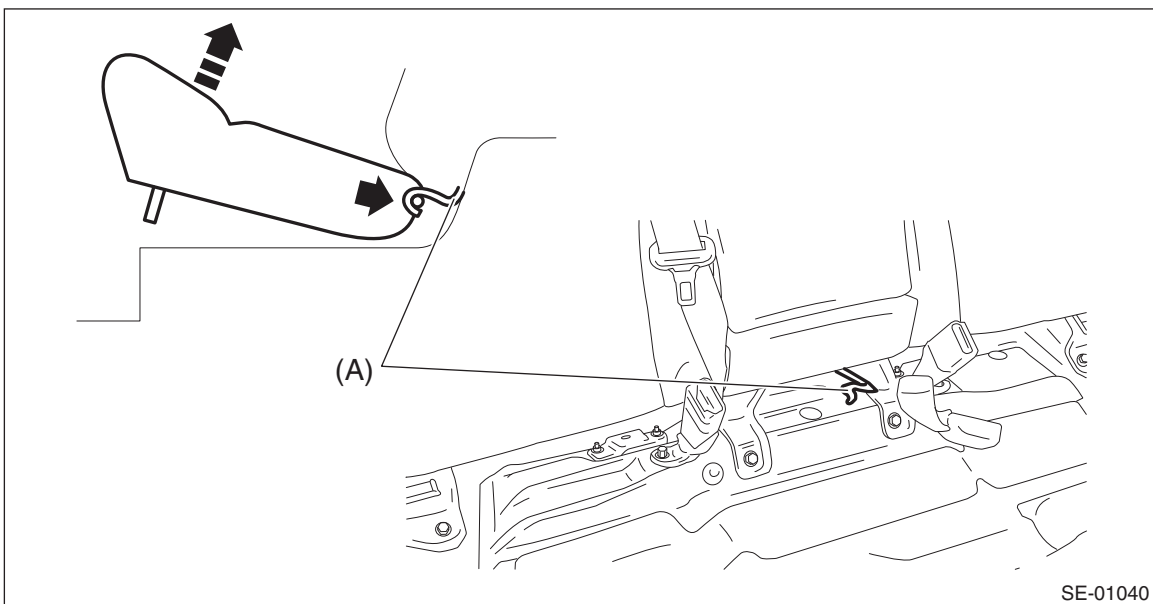
- 3) Remove the rear seat cushion assembly.
 - (1) Pull up the seat cushion and release the hook.

CAUTION:

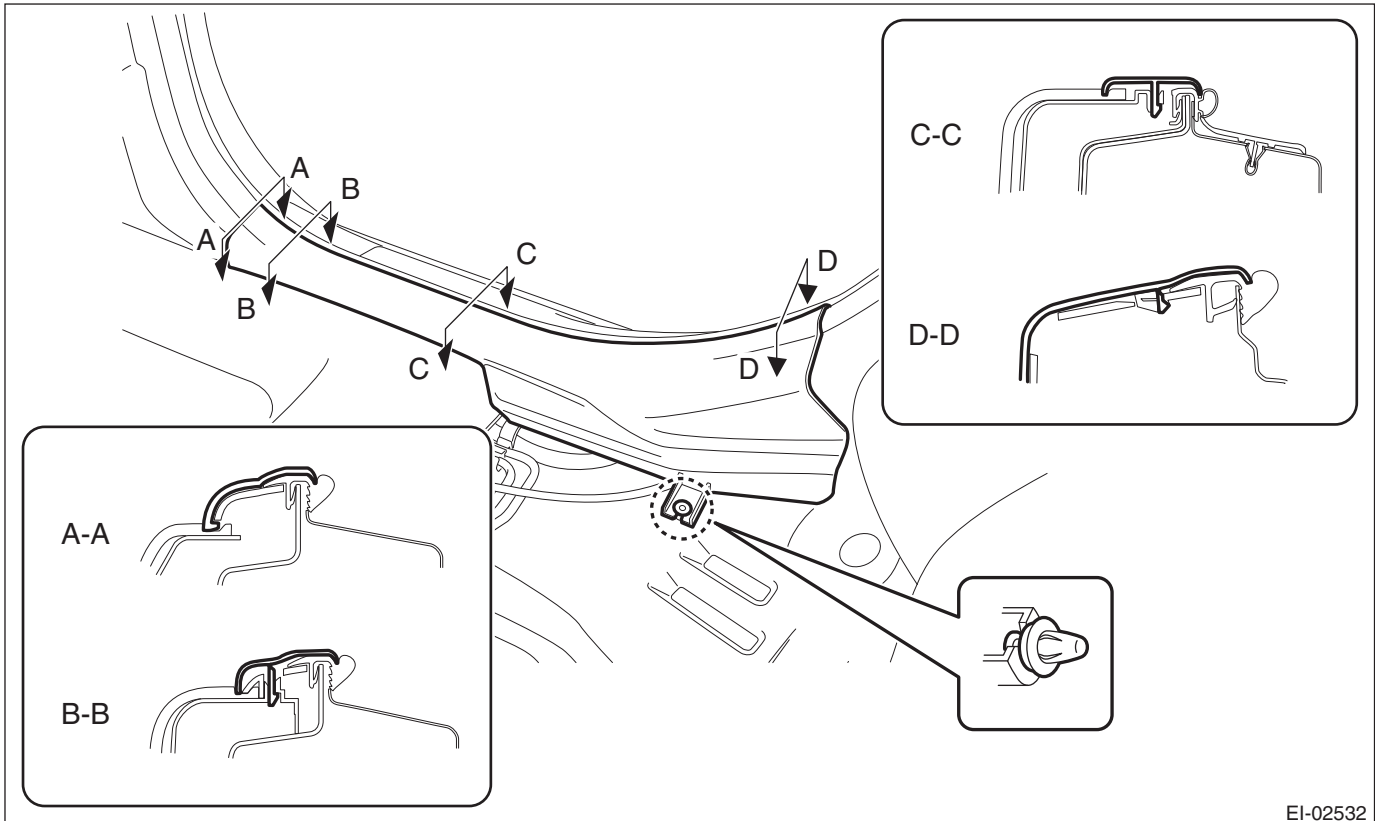
If the hook is removed from vehicle body, replace the hook with the new part to avoid the deterioration of seat securing.



- (2) Remove the hook (A) by pushing it back while lifting the front side of the seat cushion, and remove the seat cushion.



4) Release the clips and claws, and then remove the side sill cover - rear INN.



EI-02532

CAUTION:

Do not pull with excessive force. Doing so may damage the claws of the side sill cover INN.

NOTE:

To release the claws of the side sill cover INN, the following steps are recommended.

1. Take out the weather strip from under the side sill cover INN.
2. Turn over the floor mat and release the claws (C) and (D) by accessing from behind the side sill cover INN.

Lower Inner Trim

EXTERIOR/INTERIOR TRIM

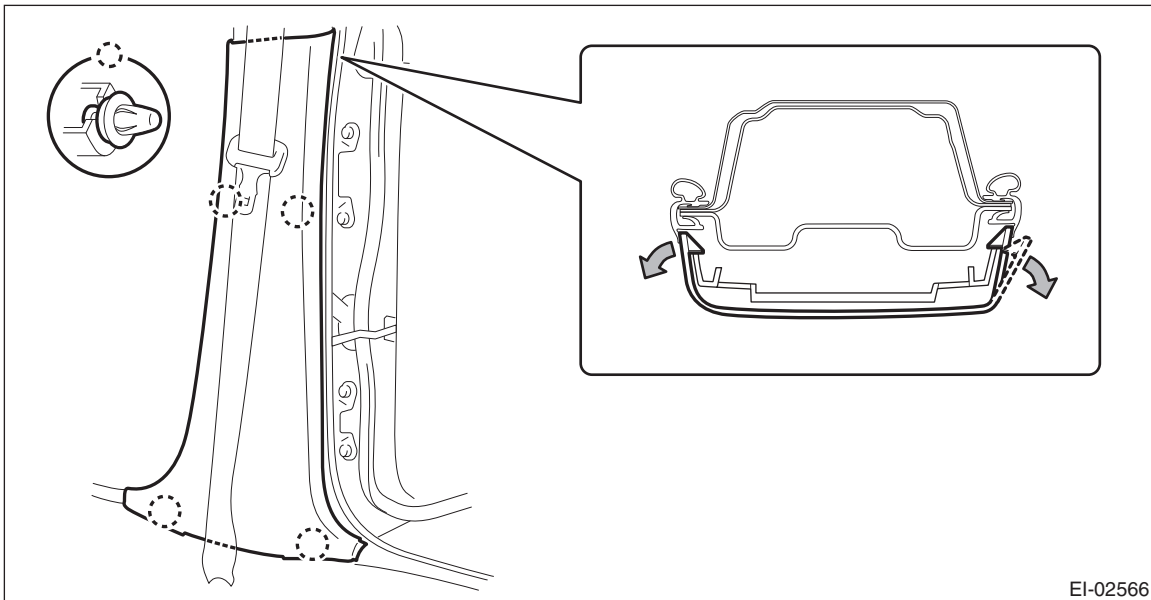
5) Remove the center pillar trim LWR.

(1) Release the clip by pulling the center pillar trim LWR toward you.

(2) Expand the claws of center pillar trim LWR outward and remove it from the center pillar trim UPR.

CAUTION:

Do not expand the center pillar trim LWR excessively. Doing so may damage the trim.

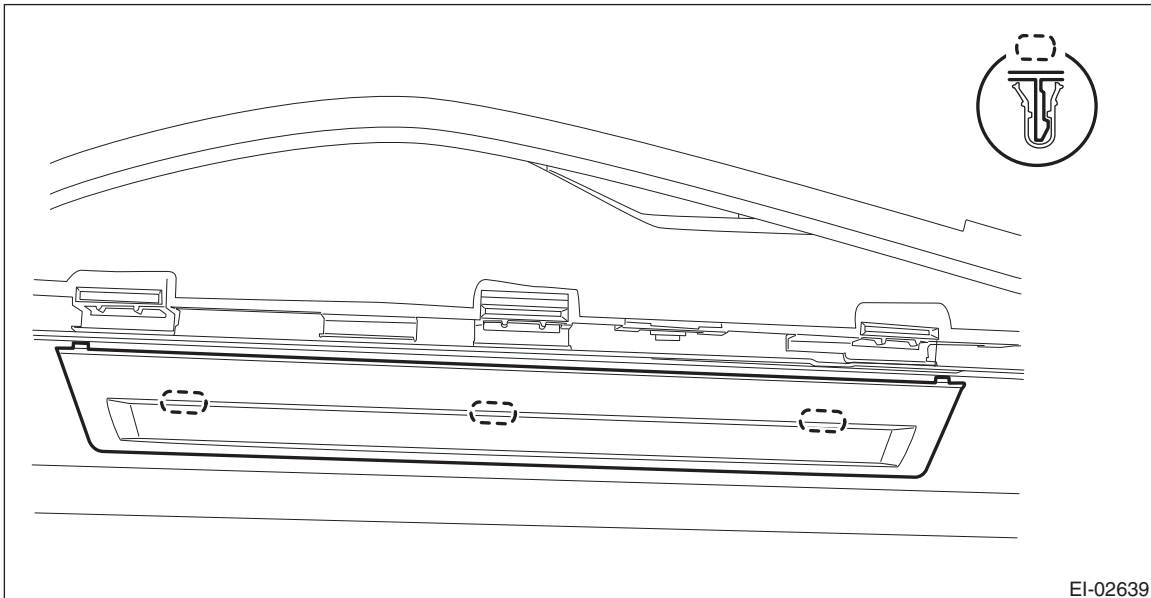


EI-02566

NOTE:

First release the claw located to the rear of the vehicle.

6) Release the claws, and then remove the side sill cover-front OUT.

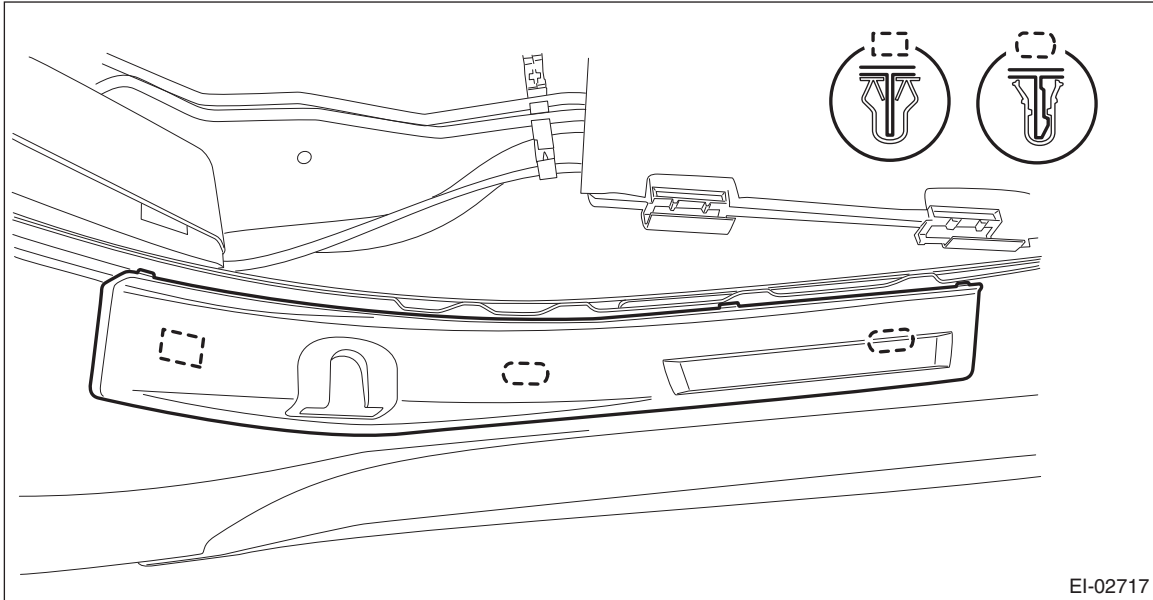


EI-02639

Lower Inner Trim

EXTERIOR/INTERIOR TRIM

7) Release the claws and metal clips, and then remove the side sill cover-rear OUT.



Lower Inner Trim

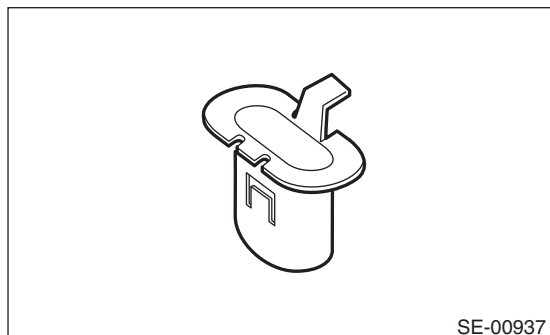
EXTERIOR/INTERIOR TRIM

B: INSTALLATION

Install each part in the reverse order of removal.

CAUTION:

If the hook is removed from vehicle body, replace the hook with the new part to avoid the deterioration of seat securing.



NOTE:

Assemble the center pillar trim LWR to the center pillar trim UPR securely.

