

## 23.Rear Shelf Trim

### A: REMOVAL

1) Disconnect the ground cable from battery and wait for at least 60 seconds before starting work.

#### CAUTION:

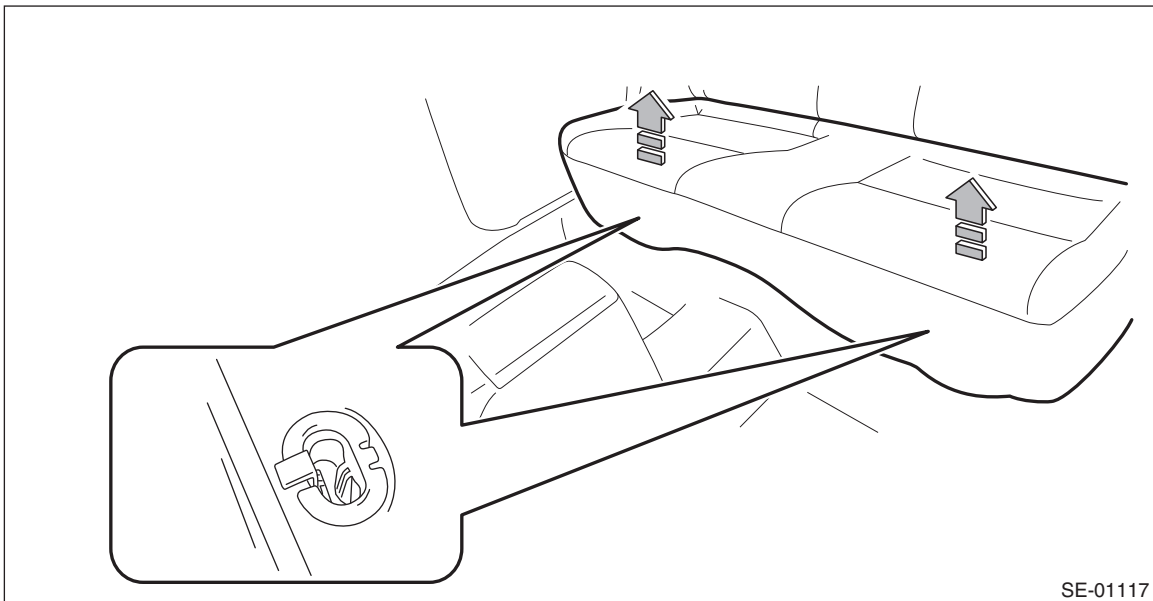
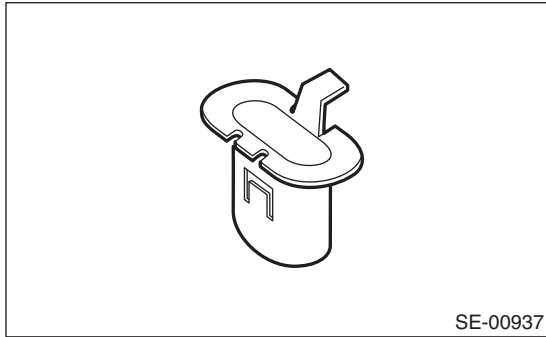
The airbag system is fitted with a backup power supply. After disconnecting the battery ground cable, the airbag may operate if you do not wait for 60 seconds before starting the service of airbag system.

2) Remove the rear seat cushion assembly.

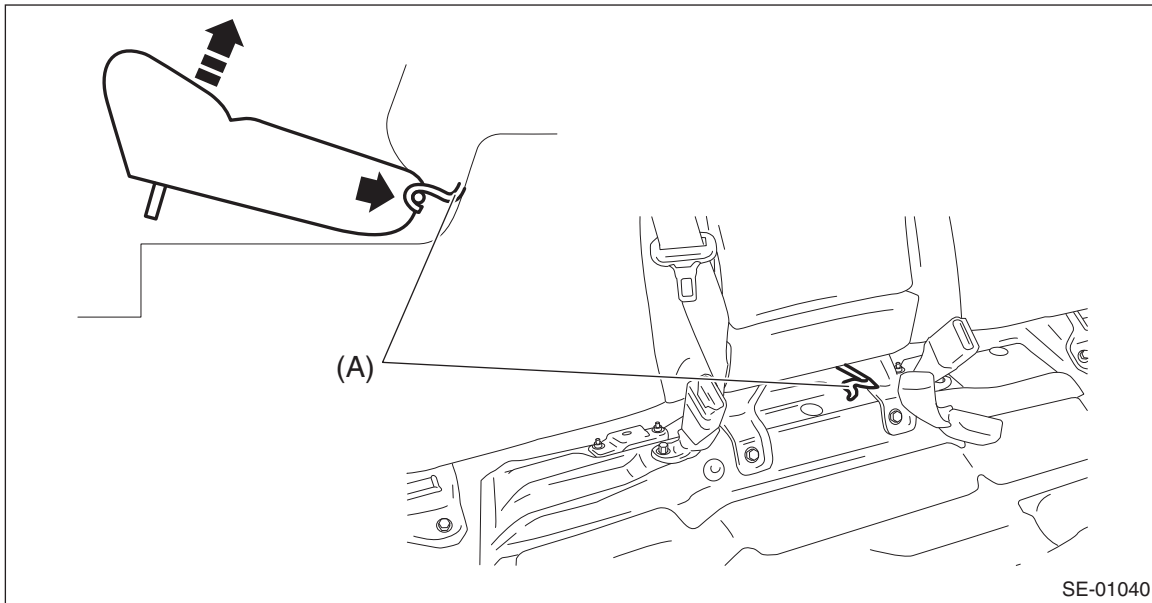
(1) Pull up the seat cushion and release the hook.

#### CAUTION:

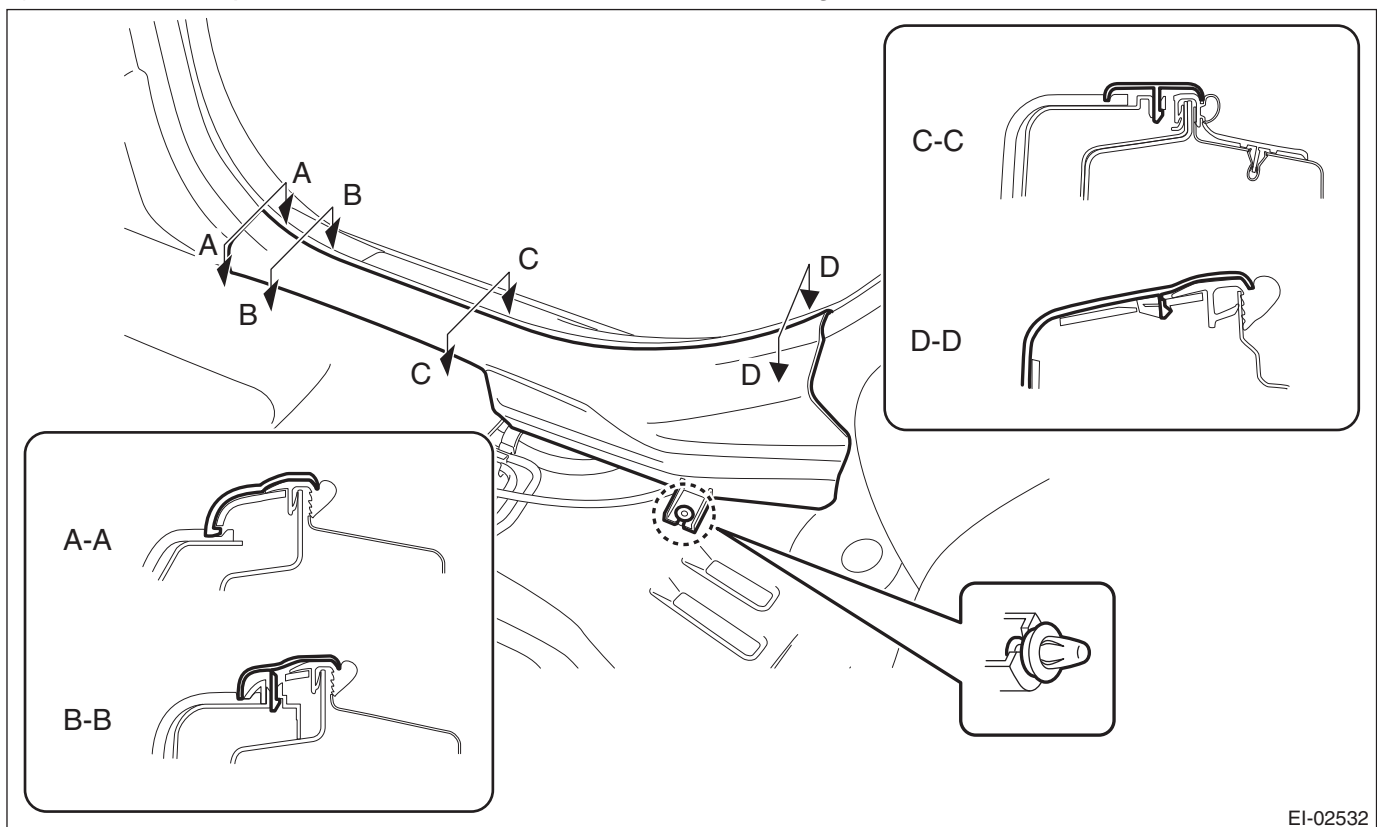
If the hook is removed from vehicle body, replace the hook with the new part to avoid the deterioration of seat securing.



(2) Remove the hook (A) by pushing it back while lifting the front side of the seat cushion, and remove the seat cushion.



3) Release the clips and claws, and then remove the left and right side sill covers-rear INN.



**CAUTION:**

**Do not pull with excessive force. Doing so may damage the claws of the side sill cover INN.**

**NOTE:**

To release the claws of the side sill cover INN, the following steps are recommended.

1. Take out the weather strip from under the side sill cover INN.
2. Turn over the floor mat and release the claws (C) and (D) by accessing from behind the side sill cover INN.

## Rear Shelf Trim

### EXTERIOR/INTERIOR TRIM

4) Remove the left and right rear quarter trim LWR.

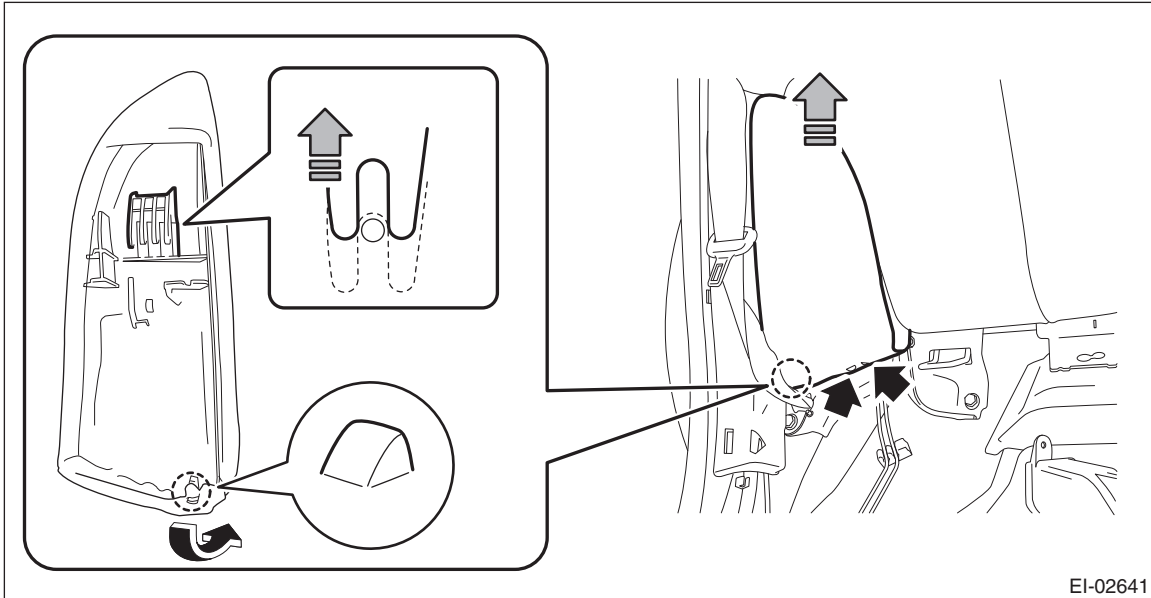
(1) Remove the backrest side pad.

a) Remove the screws.

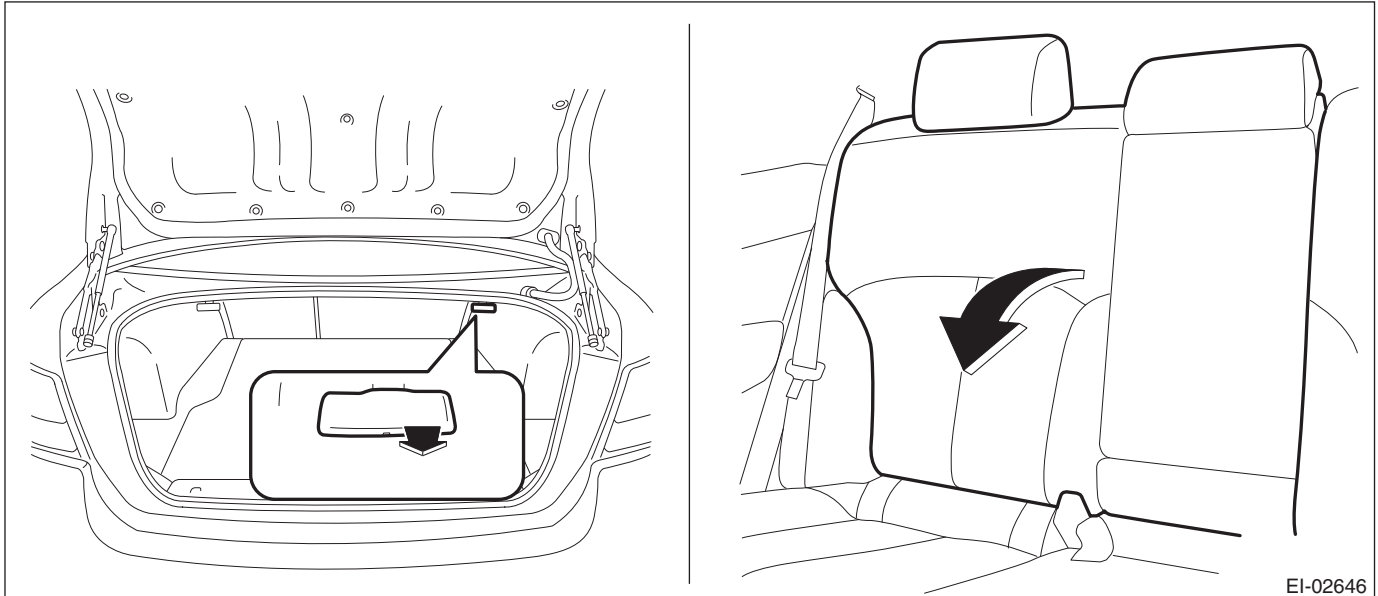
**Preparation tool: Stubby screwdriver**

b) Turn over the bottom end of the backrest side pad in the forward direction so that the claws are released.

c) Remove the backrest side pad by pulling it up.



(2) Pull the release lever in the trunk room, and then tilt the backrest forward.

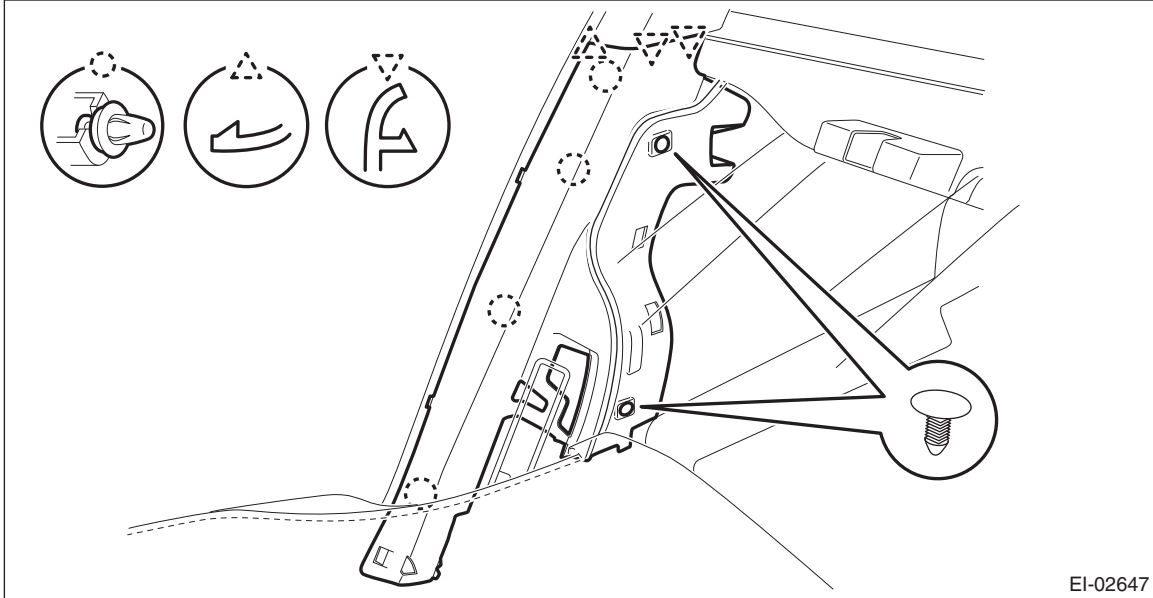


(3) Release the clips of the trunk trim panel assembly-side.

## Rear Shelf Trim

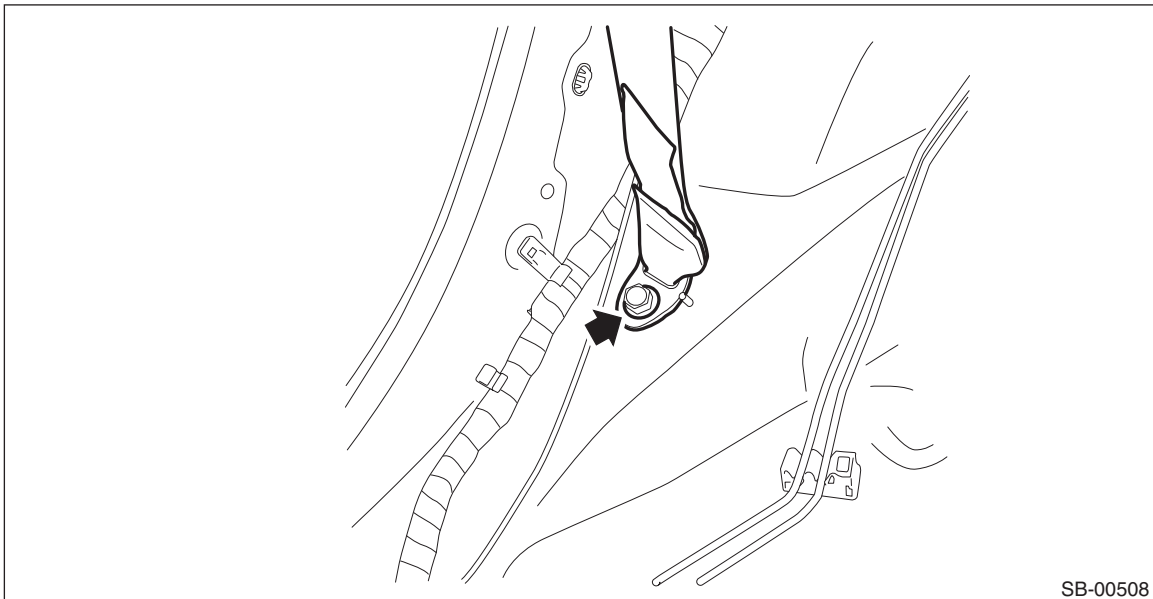
EXTERIOR/INTERIOR TRIM

- (4) Remove the clips, and remove the rear quarter trim LWR.



- 5) Remove the left and right rear quarter trim UPR.

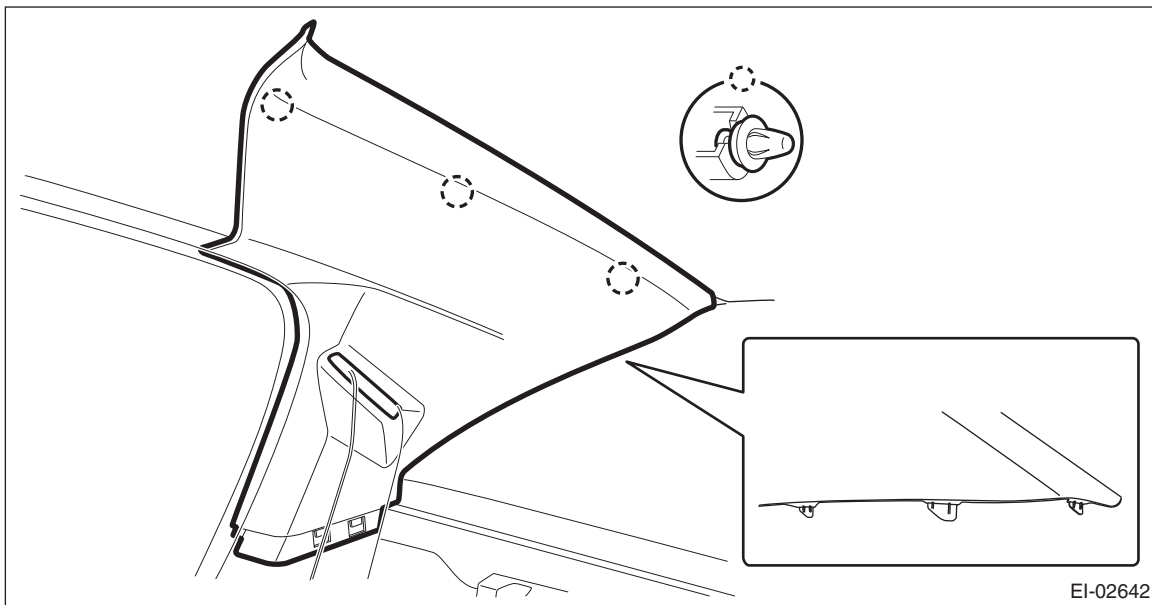
- (1) Remove the lower anchor bolt of the outer belt assembly.



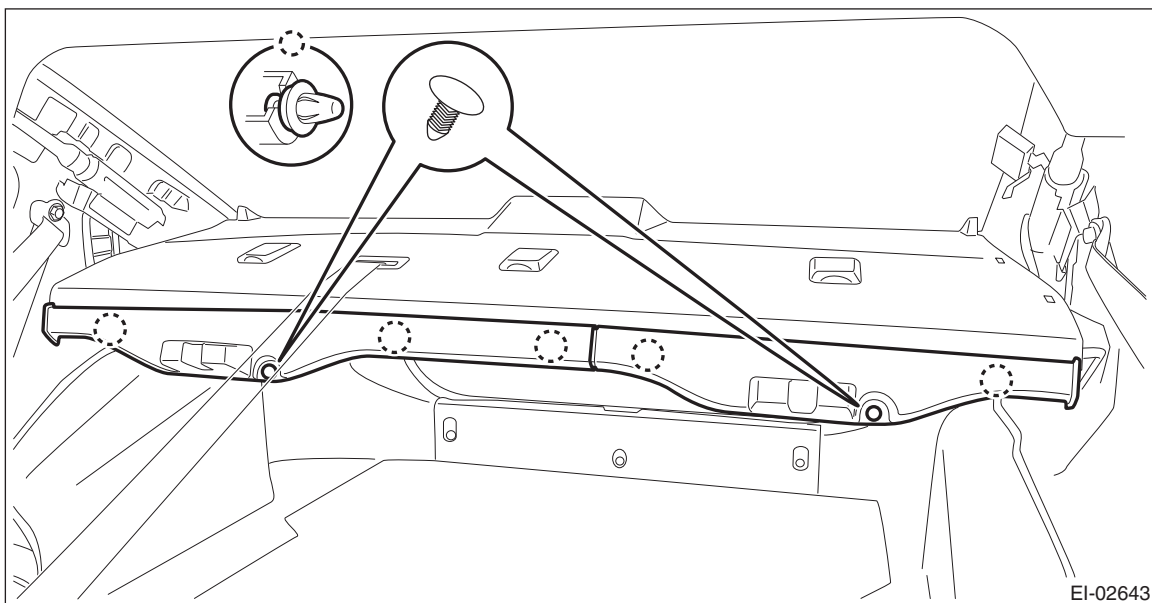
## Rear Shelf Trim

### EXTERIOR/INTERIOR TRIM

- (2) Release the clips, and remove the rear quarter trim UPR.

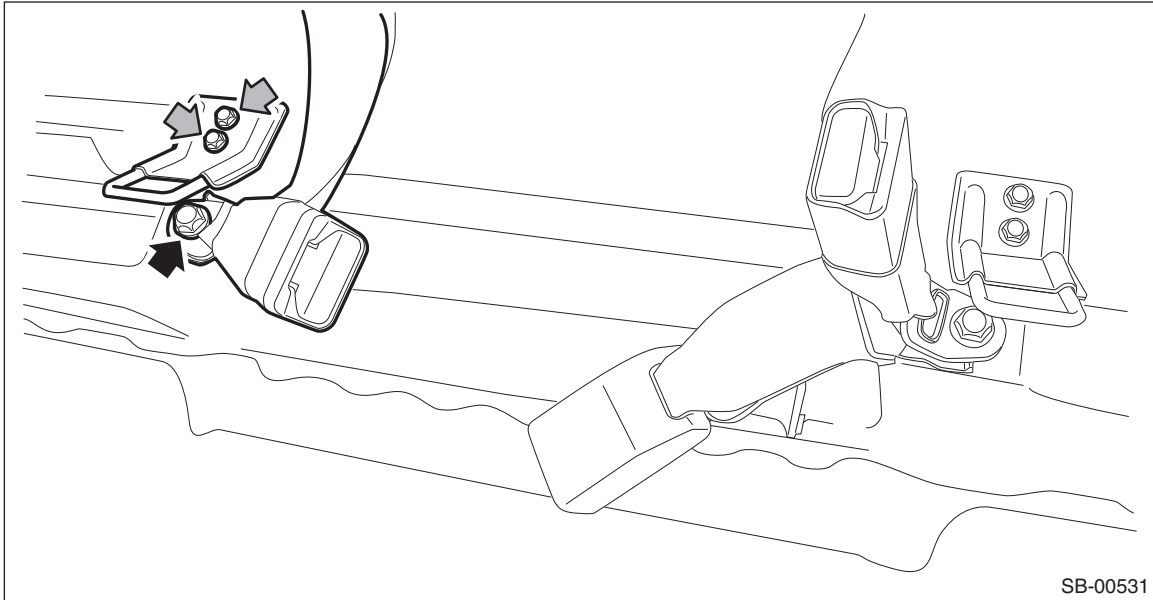


- (3) Pull out the seat belt and remove the rear quarter trim UPR.  
6) Release the clips and remove the left and right trunk trim panel assembly-front.



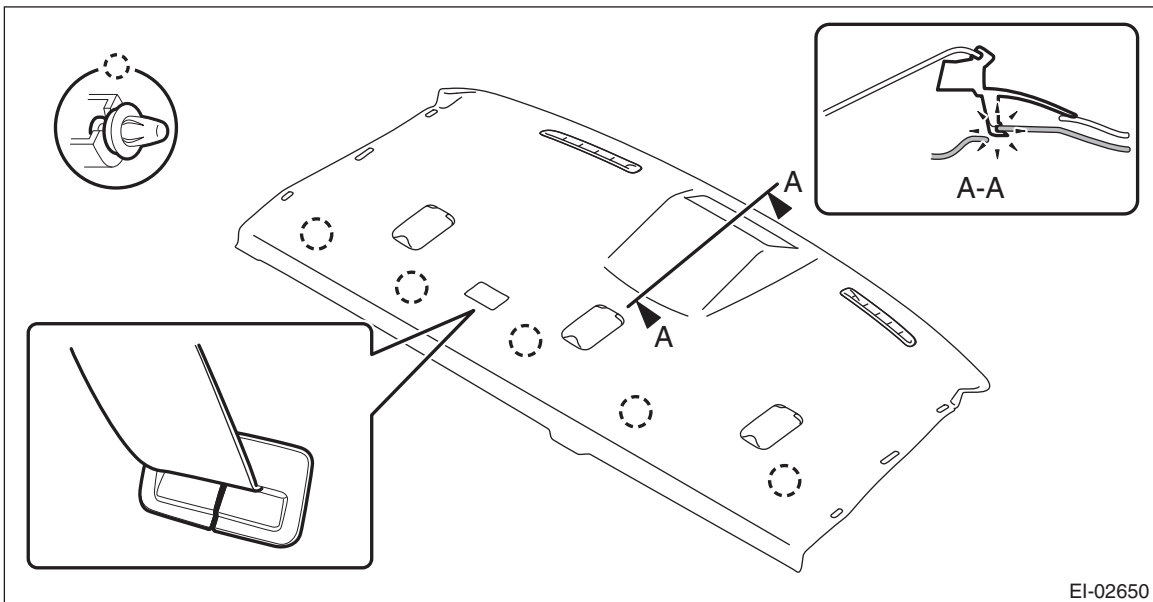
- 7) Remove the lower anchor of the shoulder belt assembly CTR.  
(1) Remove the nuts and remove the ISO-FIX anchor.

- (2) Remove the bolts, and remove the lower anchor of shoulder belt assembly CTR.



- 8) Remove the rear shelf panel assembly.

- (1) Release the clips to float the rear shelf panel assembly.
- (2) Release the belt guide and guide the anchor of rear center seat belt to behind the shelf panel.
- (3) Disconnect the connector of high-mounted stop light.
- (4) Remove the rear shelf panel assembly.



## Rear Shelf Trim

EXTERIOR/INTERIOR TRIM

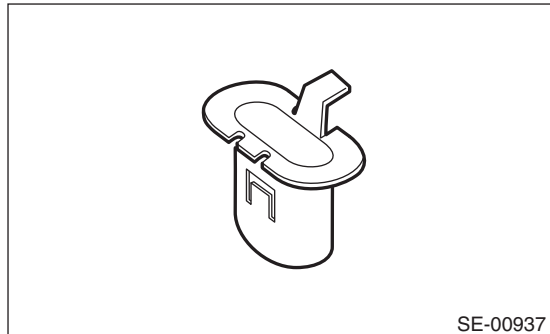
---

### B: INSTALLATION

Install each part in the reverse order of removal.

#### CAUTION:

- Make sure to insert the claws on the back of high-mounted stop light into the rear shelf panel.
- If the hook is removed from vehicle body, replace the hook with the new part to avoid the deterioration of seat securing.



- Make sure to insert the claws on the back of high-mounted stop light into the rear shelf panel.

#### Tightening torque:

*ISO-FIX anchor: 25 N·m (2.55 kgf·m, 18.4 ft·lb)*

*Rear seat belt: <Ref. to SB-3, REAR SEAT BELT (SEDAN MODEL), COMPONENT, General Description.>*