

27. Roof Trim

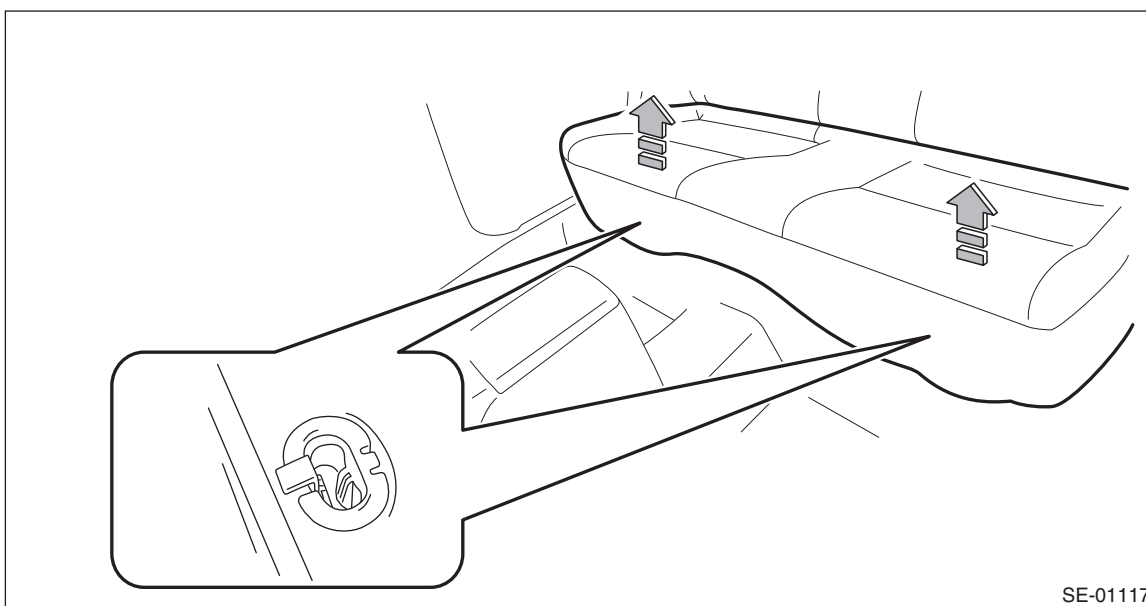
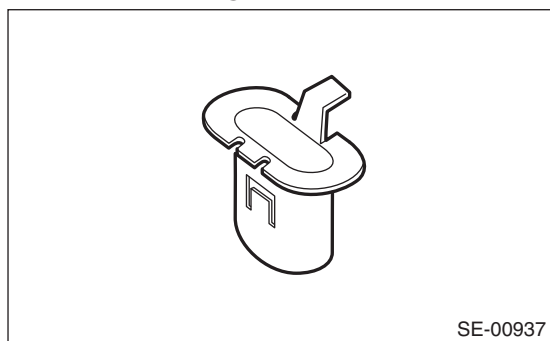
A: REMOVAL

1. SEDAN MODEL

- 1) Remove the rear seat cushion assembly.
 - (1) Pull up the seat cushion and release the hook.

CAUTION:

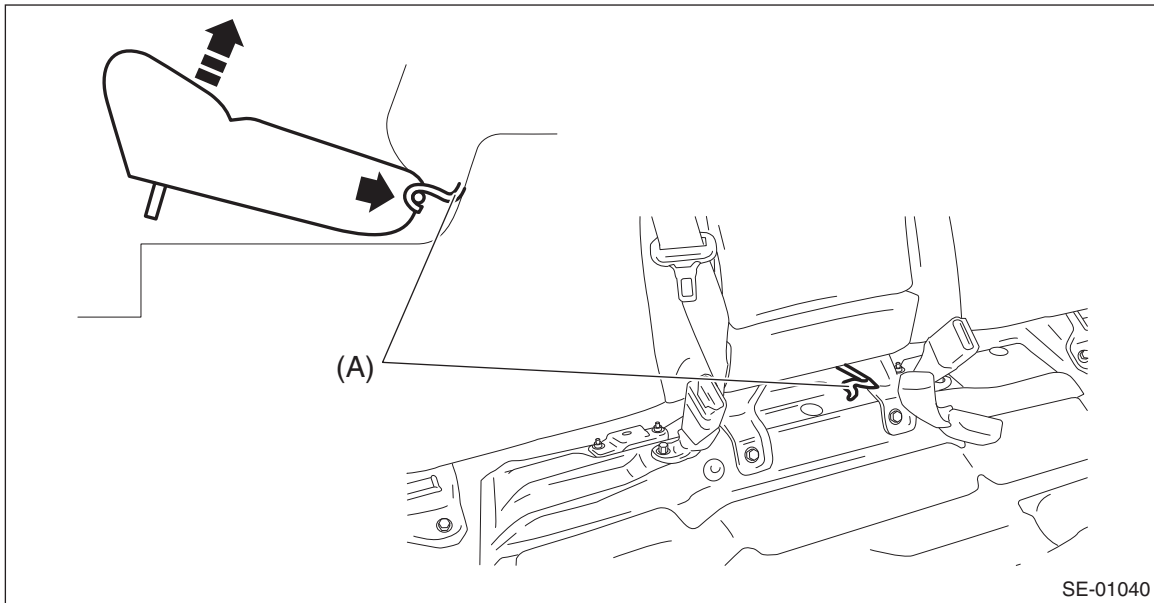
If the hook is removed from vehicle body, replace the hook with the new part to avoid the deterioration of seat securing.



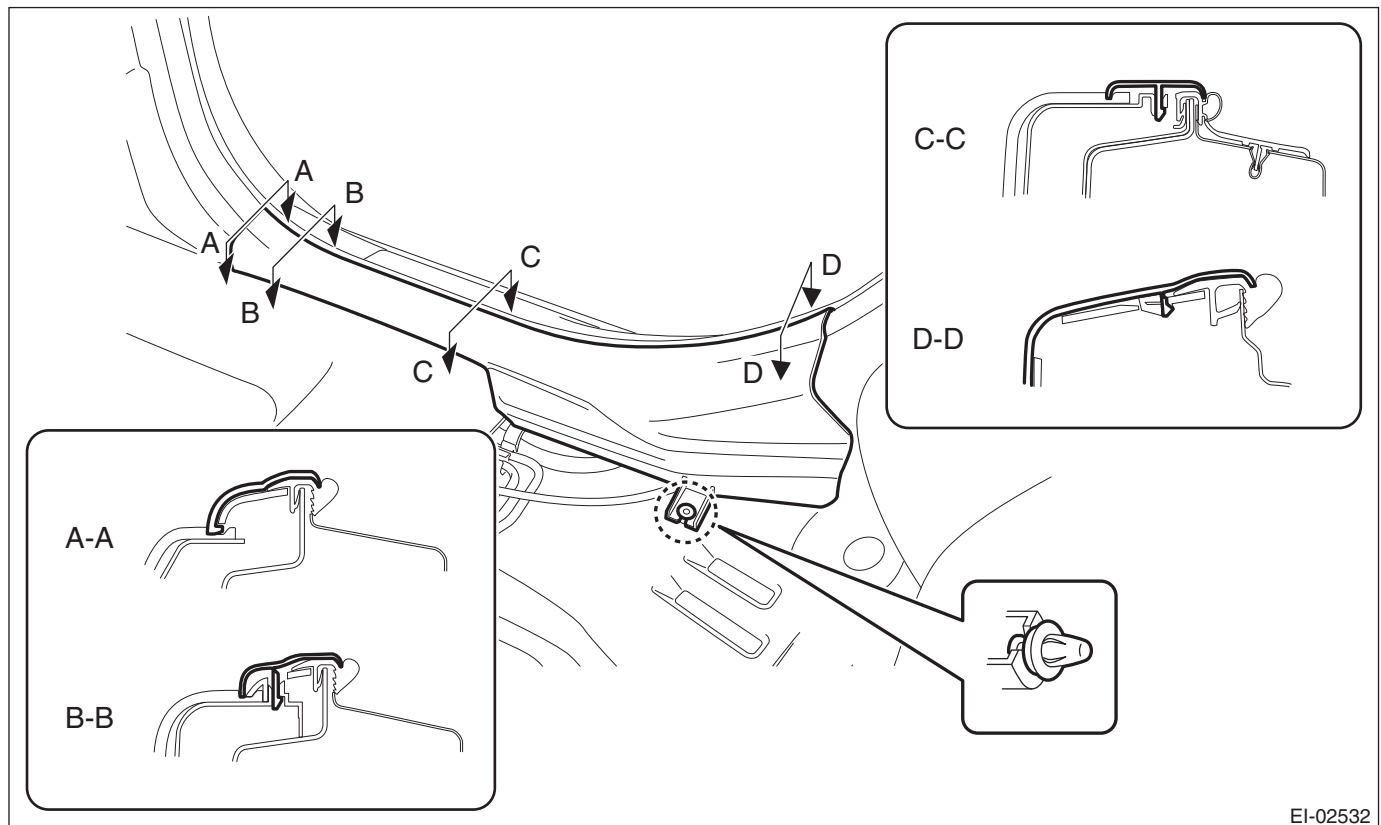
Roof Trim

EXTERIOR/INTERIOR TRIM

(2) Remove the hook (A) by pushing it back while lifting the front side of the seat cushion, and remove the seat cushion.



2) Release the clips and claws, and then remove the left and right side sill covers-rear INN.



CAUTION:

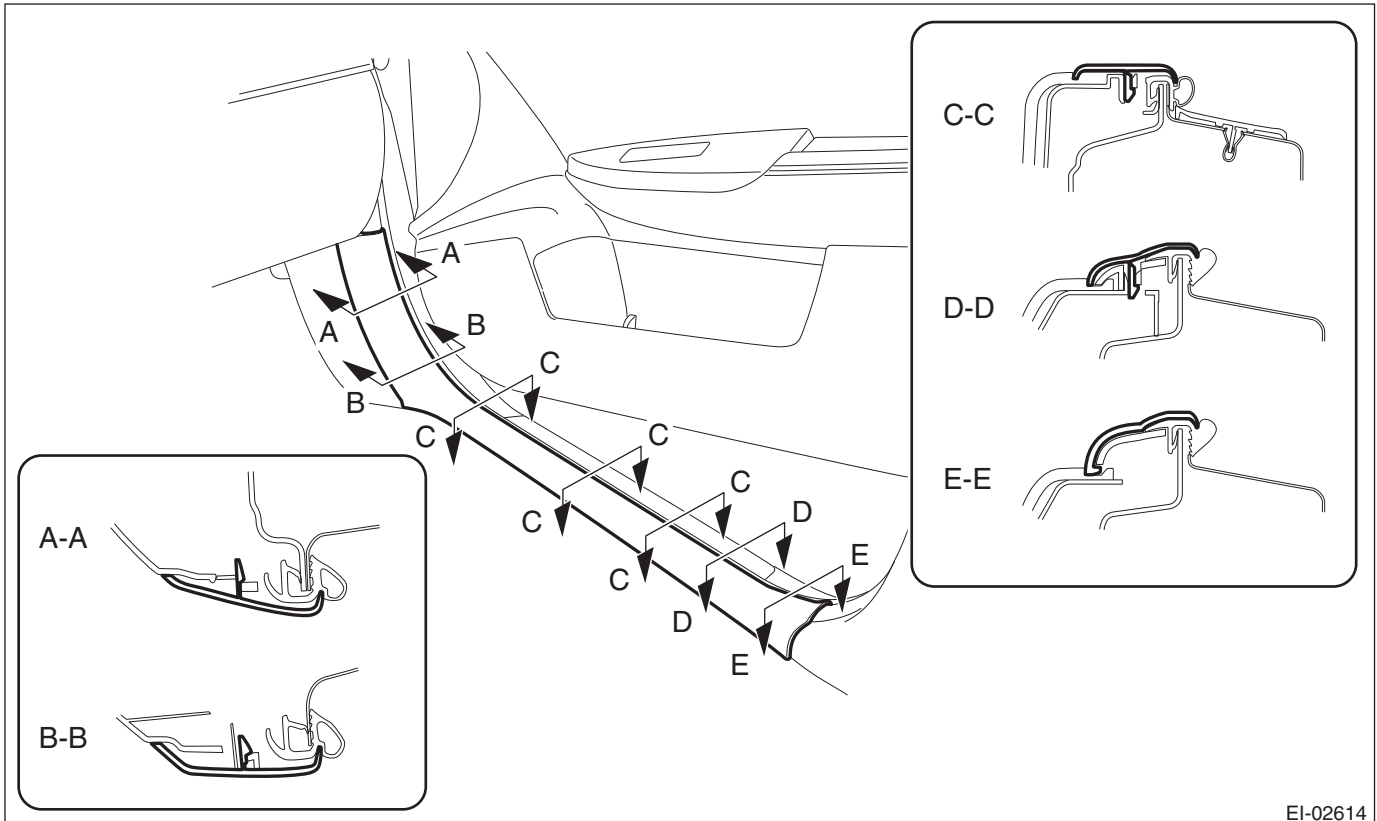
Do not pull with excessive force. Doing so may damage the claws of the side sill cover INN.

NOTE:

To release the claws of the side sill cover INN, the following steps are recommended.

1. Take out the weather strip from under the side sill cover INN.
2. Turn over the floor mat and release the claws (C) and (D) by accessing from behind the side sill cover INN.

3) Release the claws, and then remove the left and right side sill cover-front INN.



EI-02614

CAUTION:

Do not pull with excessive force. Doing so may damage the claws of the side sill cover INN.

NOTE:

To release the claws of the side sill cover INN, the following steps are recommended.

1. Take out the weather strip from under the side sill cover INN.
2. Turn over the floor mat and release the claw (C) by accessing from behind the side sill cover INN.

Roof Trim

EXTERIOR/INTERIOR TRIM

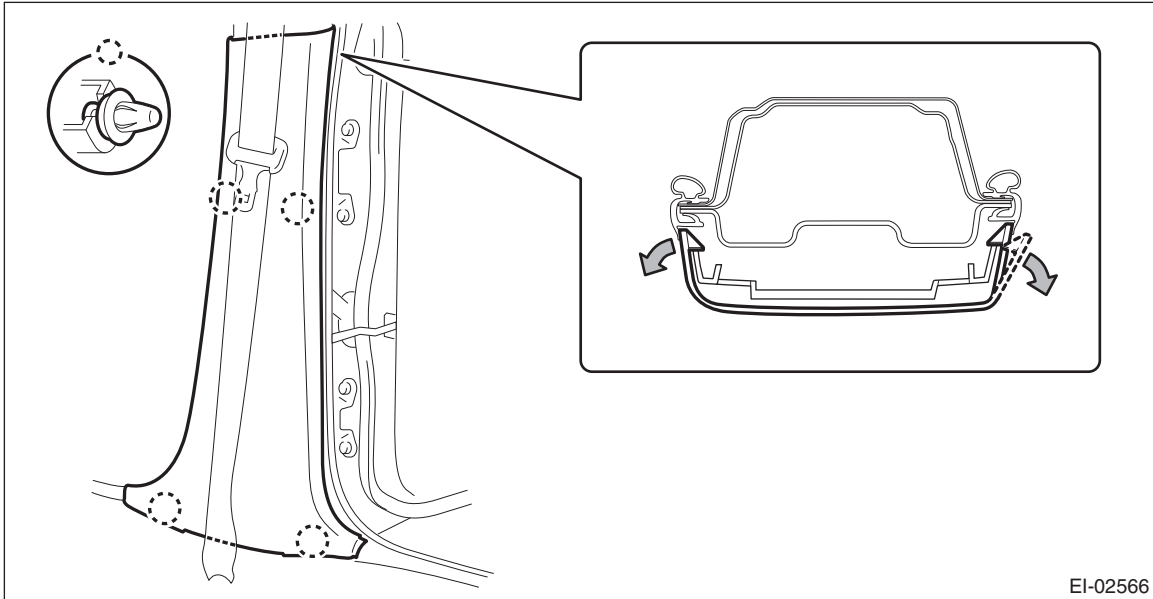
4) Remove the left and right center pillar trim LWR.

(1) Release the clip by pulling the center pillar trim LWR toward you.

(2) Expand the claws of center pillar trim LWR outward and remove it from the center pillar trim UPR.

CAUTION:

Do not expand the center pillar trim LWR excessively. Doing so may damage the trim.



EI-02566

NOTE:

First release the claw located to the rear of the vehicle.

5) Disconnect the ground cable from battery and wait for at least 60 seconds before starting work.

CAUTION:

The airbag system is fitted with a backup power supply. After disconnecting the battery ground cable, the airbag may operate if you do not wait for 60 seconds before starting the service of airbag system.

NOTE:

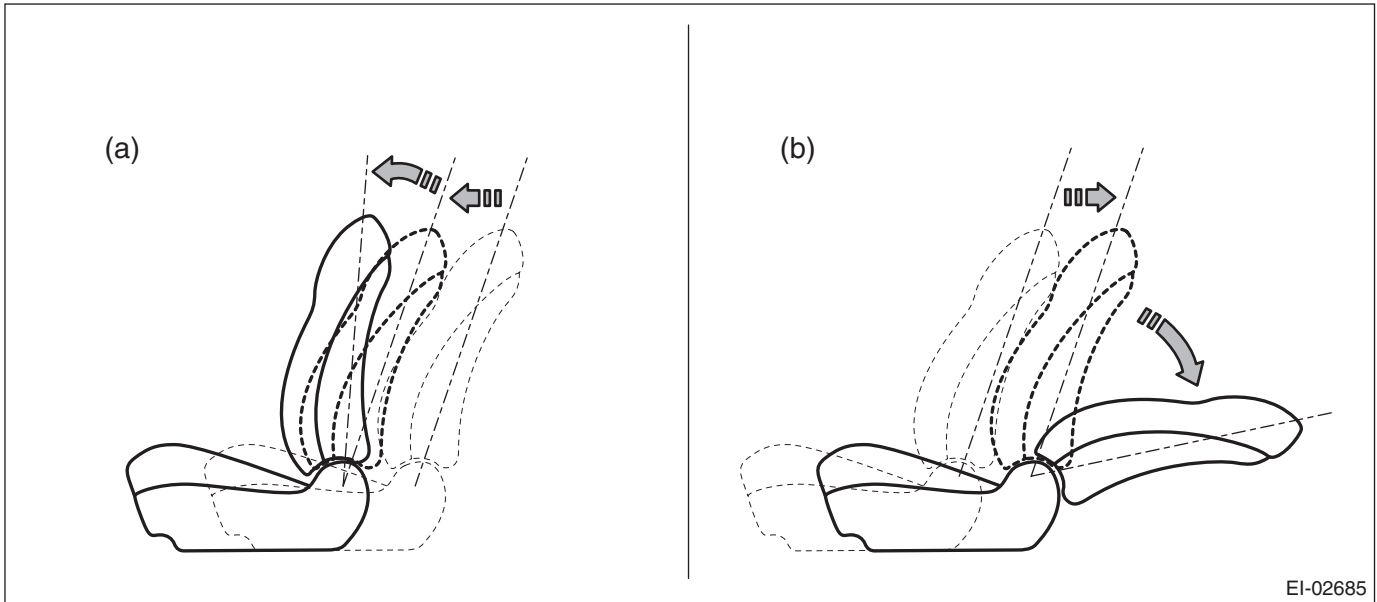
For the power seat, adjust the front seat position before removing the battery ground.

6) Adjust the front seat position.

(1) Remove the driver's seat and passenger's seat headrests.

(2) Tilt the driver's seat backrest forward and move the seat to the front most position. (a)

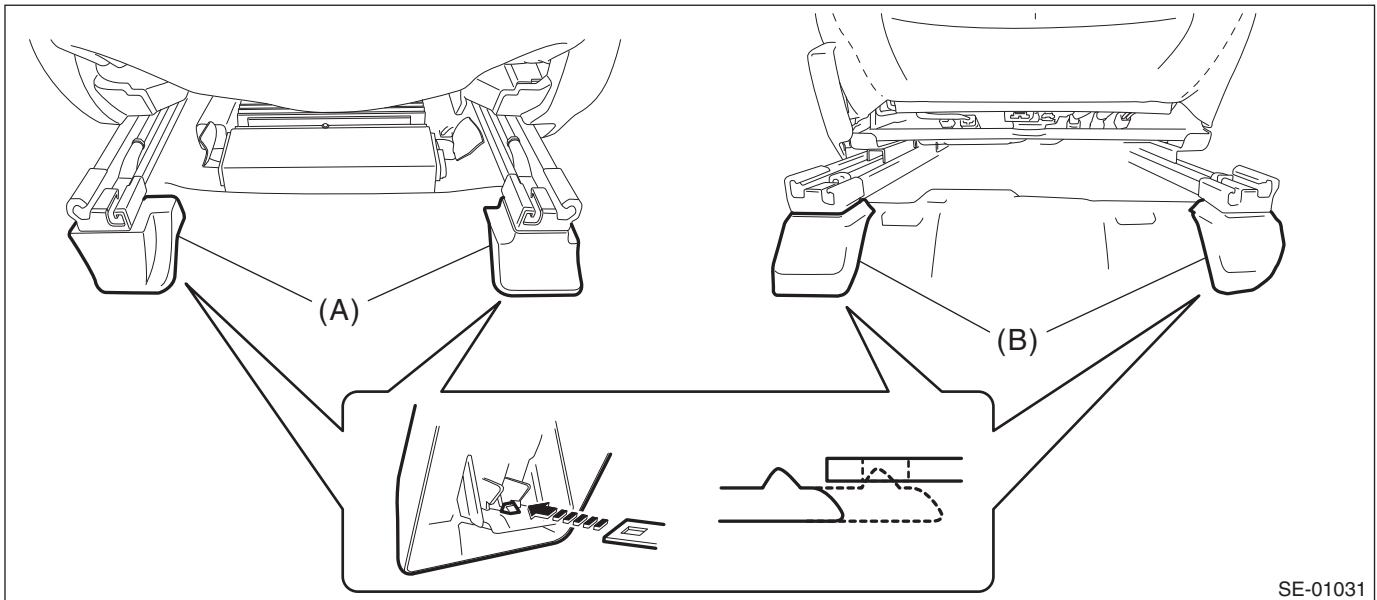
(3) Tilt the passenger's seat backrest rearward and move the seat to the rearmost position. (b)



7) Remove the front seats.

(1) Remove the bolts from the slide rail.

- a) Tilt the backrest forward and move the seat to the front most position.
- b) Remove the rear bolt cover (A) and remove the two bolts.
- c) Move the seat to the rearmost position.
- d) Remove the front bolt cover (B) and remove the two bolts.



(2) Disconnect the connector under the seat.

CAUTION:

Disconnect the ground cable from battery, and wait 60 seconds before disconnecting the connector.

- Seat belt warning light connector (driver's seat)
- Occupant detection system harness connector (passenger's seat)
- Side airbag connector
- Seat heater connector (model with seat heater)
- Power seat connector (model with power seats)

(3) Take out the front seat from the vehicle.

Roof Trim

EXTERIOR/INTERIOR TRIM

CAUTION:

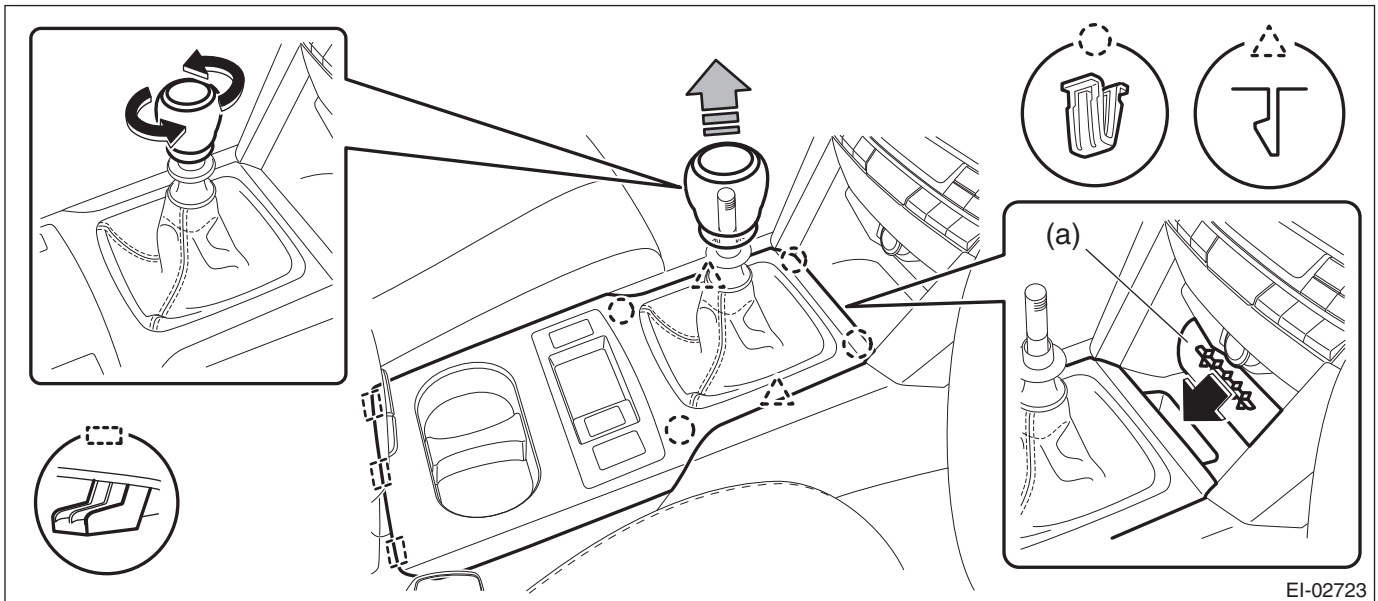
Be careful not to damage the body.

8) Cover the following areas to protect from damage.

- Steering wheel
- Instrument panel surface
- Glove box surface

9) Remove the console front cover assembly.

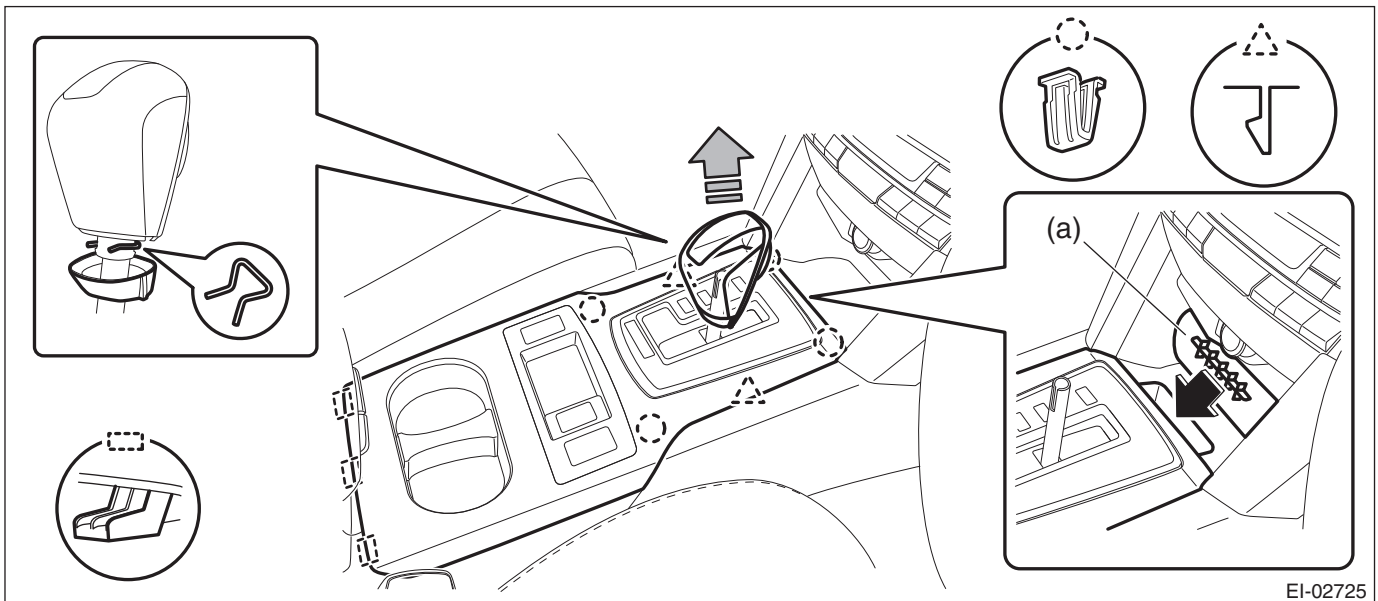
- MT model
 1. Remove the shift knob.
 2. Release the clips and claws, then pull up the console front cover assembly.



NOTE:

Turn over the front center pocket mat (a) and pull up the console front cover from the slit.

3. Disconnect the harness connector and remove the console front cover assembly.
- AT model
 1. Remove the select lever knob.
 - a. Lower the cover grip AT.
 - b. Remove the clamp grip pin, then remove the select lever knob.
 2. Release the clips and claws, then pull up the console front cover assembly.



NOTE:

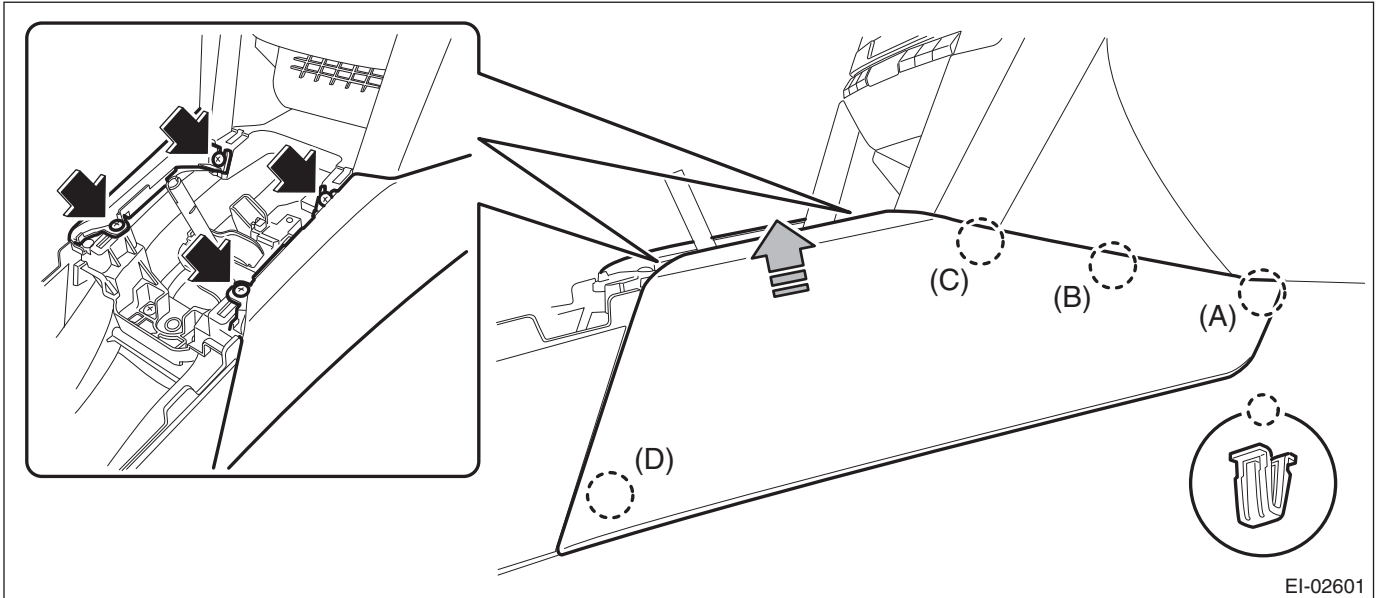
Turn over the front center pocket mat (a) and pull up the console front cover from the slit.

3. Disconnect the harness connector and remove the console front cover assembly.

10) Remove the left and right console front side cover assembly.

(1) Remove the screws and release the clips (A) to (D) in order.

(2) Remove the console front side cover assembly by pulling it up.



EI-02601

11) Remove the console box assembly.

(1) Move the seat, and remove the bolts after detaching the left and right caps.

NOTE:

For a model with power seat, connect the battery ground cable and move the seat. Then, disconnect the battery ground cable again and wait for 60 seconds at least before restarting the work.

(2) Remove the screws, disconnect the harness connector and remove the console box assembly.



EI-02602

Roof Trim

EXTERIOR/INTERIOR TRIM

12) Remove the left and right rear quarter trim LWR.

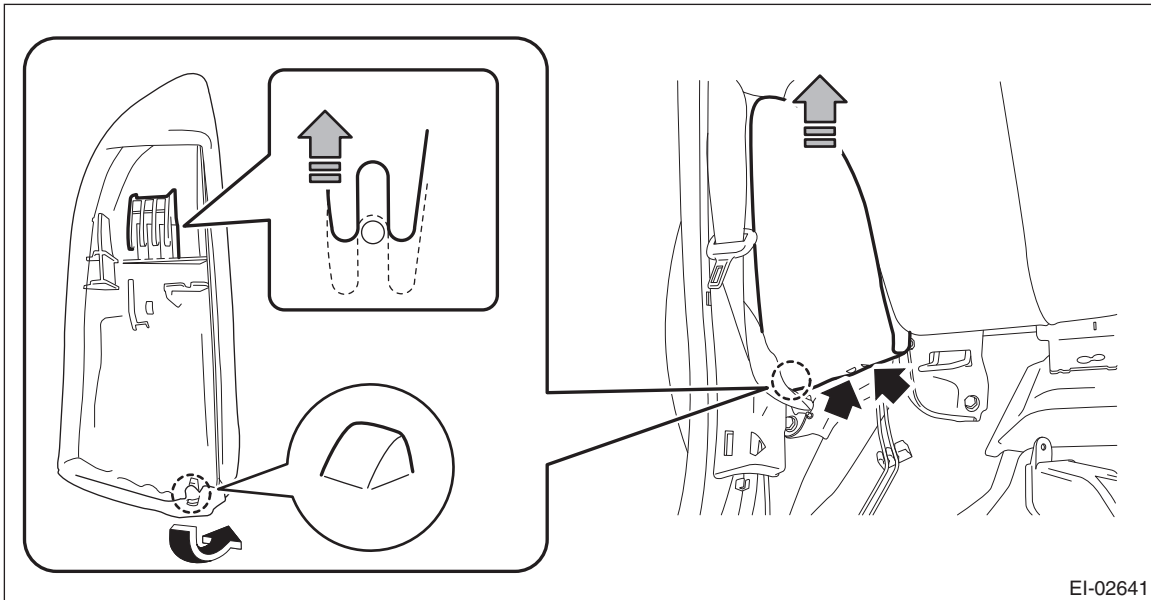
(1) Remove the backrest side pad.

a) Remove the screws.

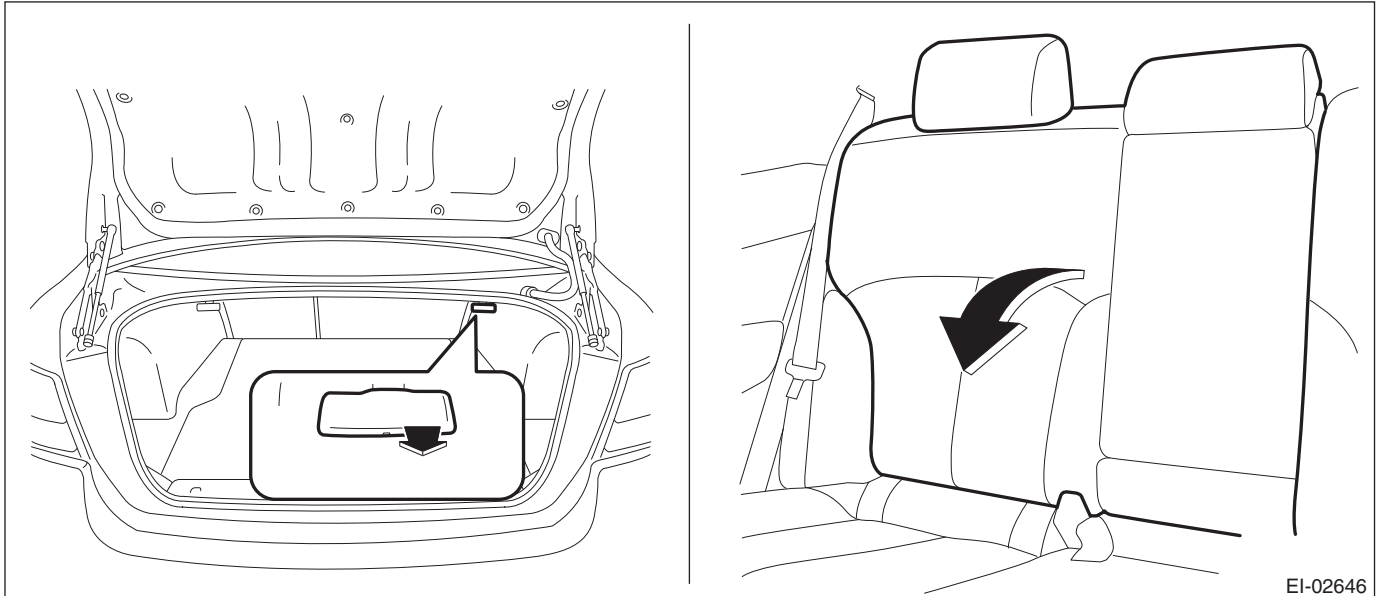
Preparation tool: Stubby screwdriver

b) Turn over the bottom end of the backrest side pad in the forward direction so that the claws are released.

c) Remove the backrest side pad by pulling it up.

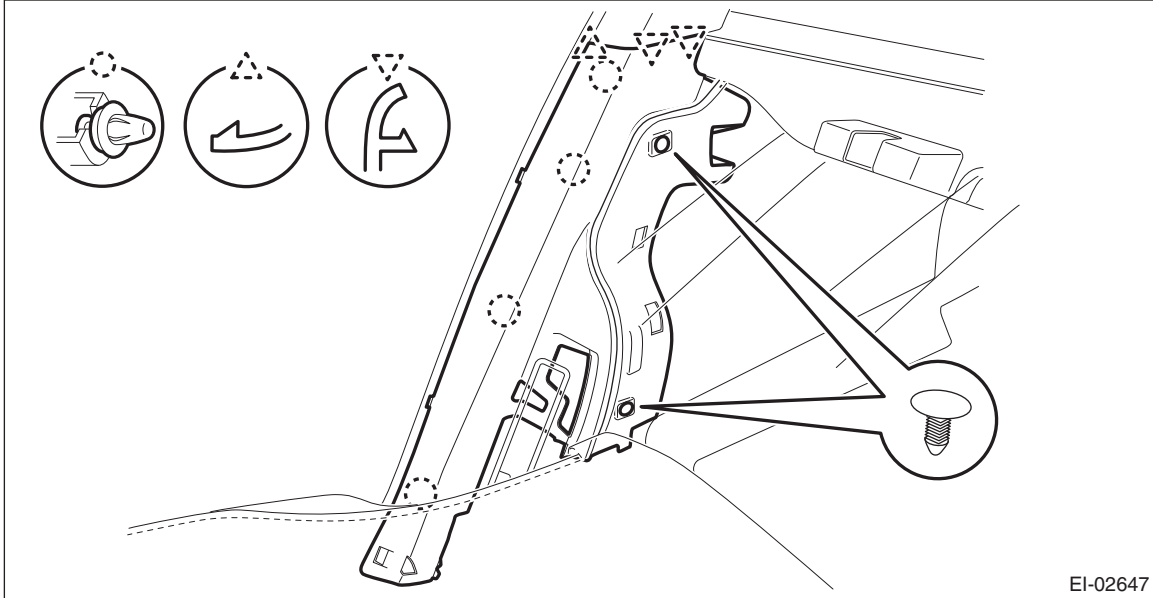


(2) Pull the release lever in the trunk room, and then tilt the backrest forward.



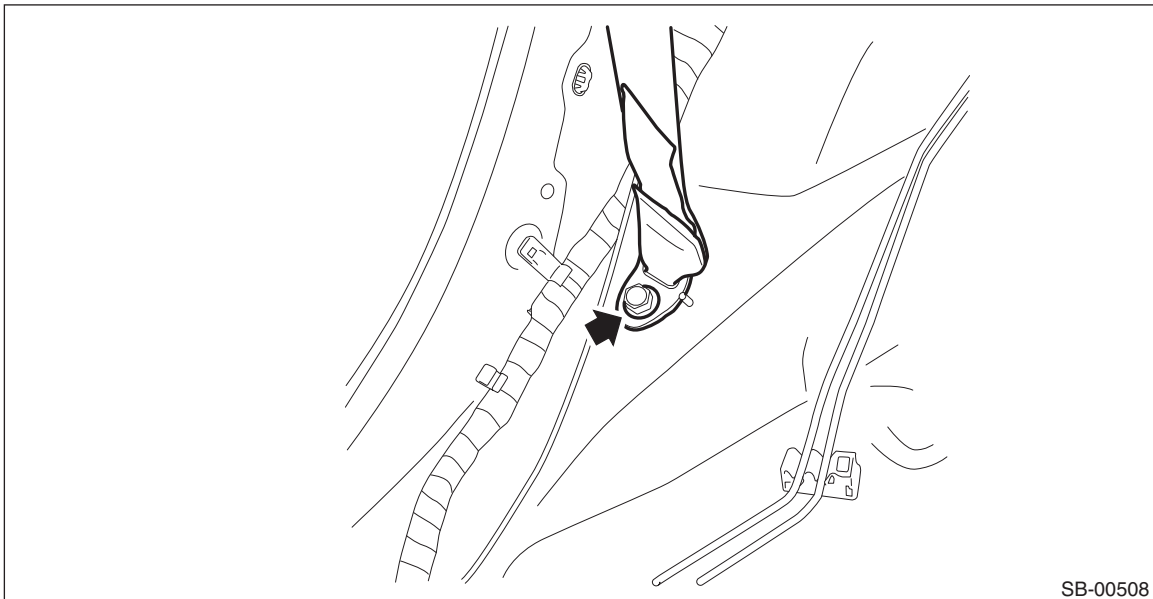
(3) Release the clips of the trunk trim panel assembly-side.

- (4) Remove the clips, and remove the rear quarter trim LWR.



- 13) Remove the left and right rear quarter trim UPR.

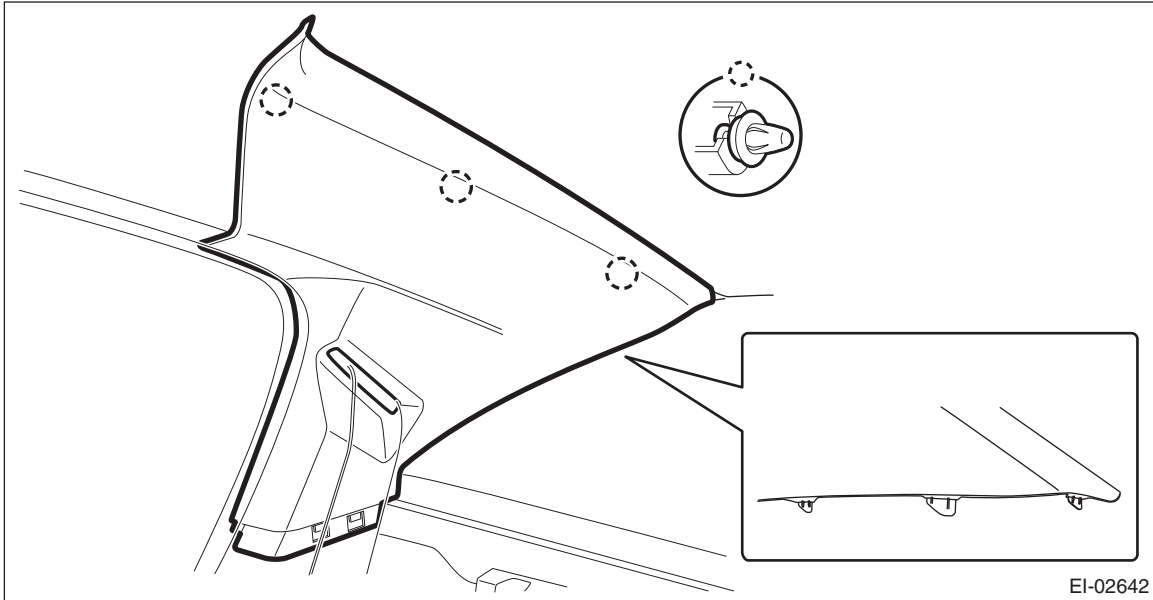
- (1) Remove the lower anchor bolt of the outer belt assembly.



Roof Trim

EXTERIOR/INTERIOR TRIM

- (2) Release the clips, and remove the rear quarter trim UPR.

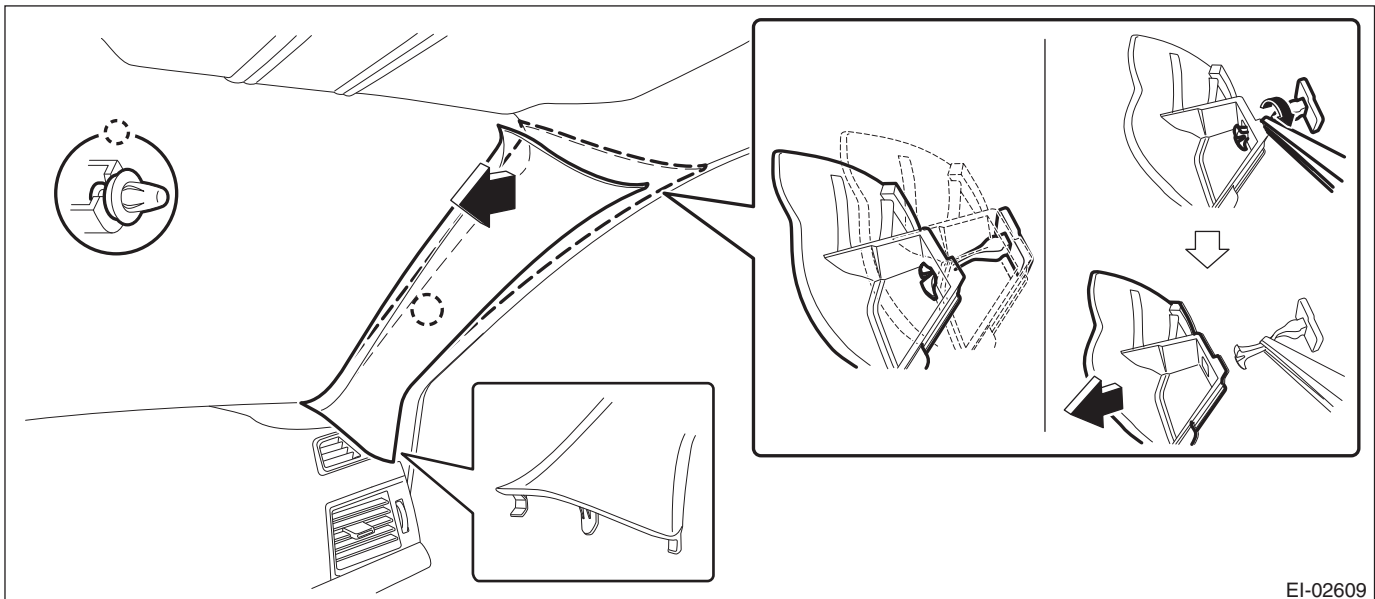


- (3) Pull out the seat belt and remove the rear quarter trim UPR.
- 14) Remove the left and right front pillar trims.
- (1) Pull the upper part of the front pillar trim towards the center of the vehicle.
- (2) Insert long-nose pliers into the top part of the trim, grip the clip with the pliers and twist 90° in that position.

CAUTION:

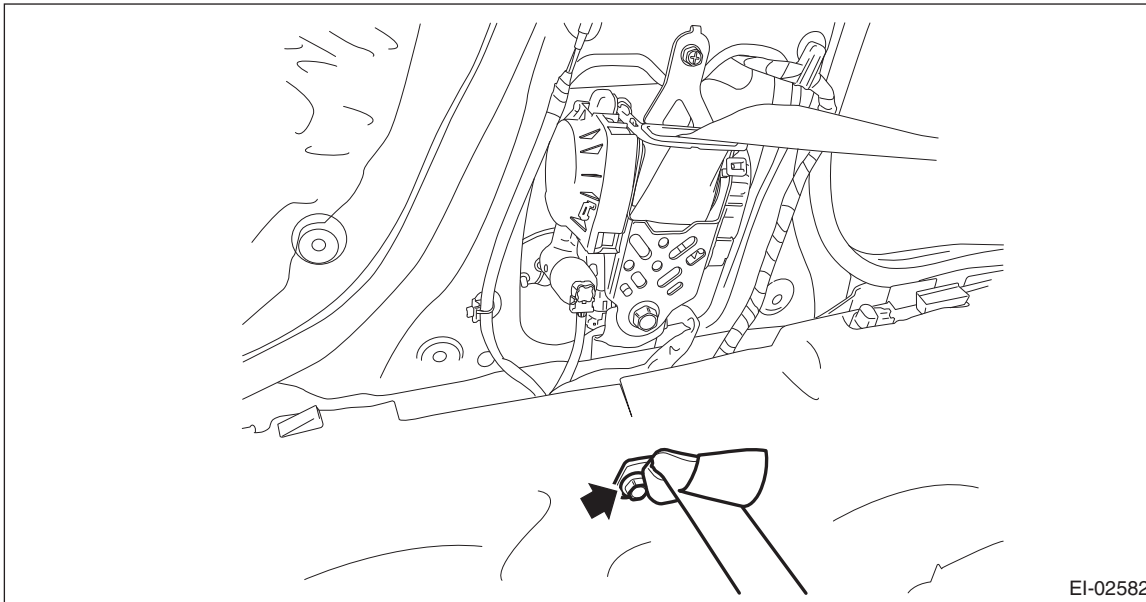
Be careful not to damage the pillar trim surface and curtain airbag module when inserting the pliers.

- (3) Holding the clip twisted as in the previous step, remove the front pillar trim from the clip.
- (4) Remove the clip and the front pillar trim.



- 15) Remove the center pillar trim UPR.

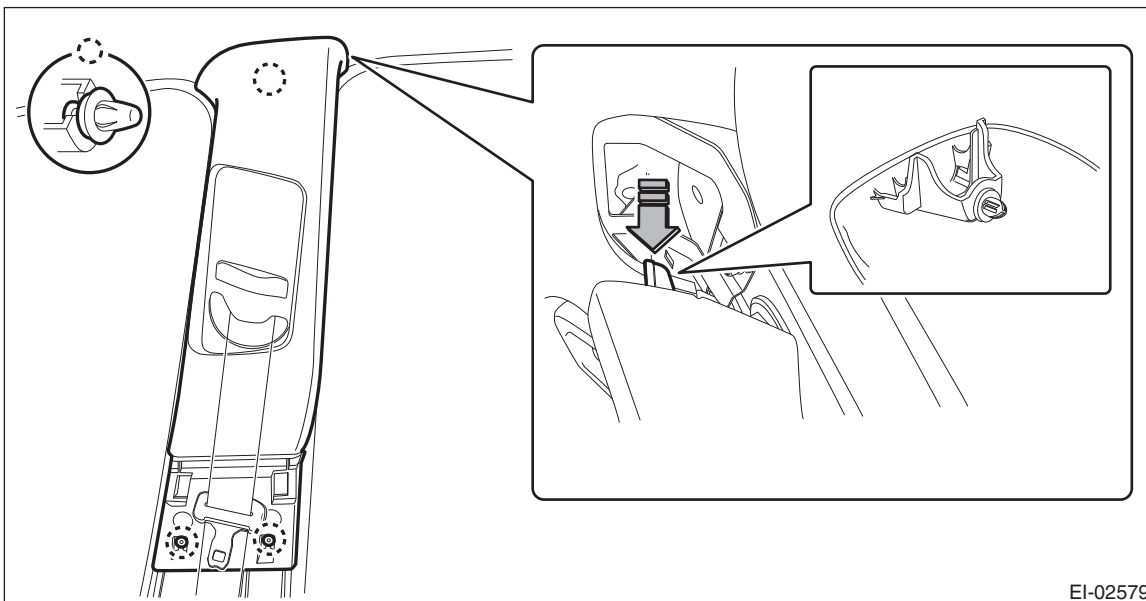
- (1) Remove the seat belt lower anchor bolt.



NOTE:

On passenger's side, disconnect the connector of the seat belt tension sensor.

- (2) Release the clip by pulling the center pillar trim UPR toward you.
- (3) Remove the center pillar trim UPR by lowering the entire trim.



- (4) Pull out the seat belt and remove the center pillar trim UPR.

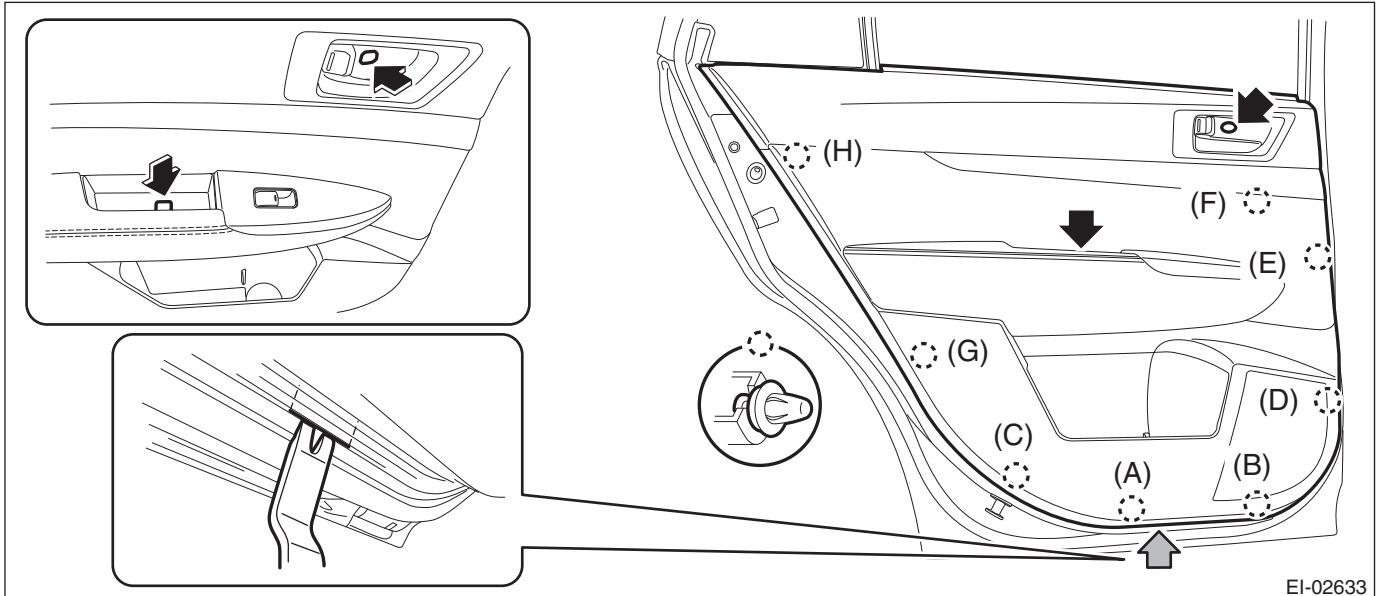
Roof Trim

EXTERIOR/INTERIOR TRIM

- 16) Remove the rear door trim assembly on driver's side.
 - (1) Open the cover and remove the screw.
 - (2) Remove the clips in the order of (A) to (H) and remove the door trim from the door panel.

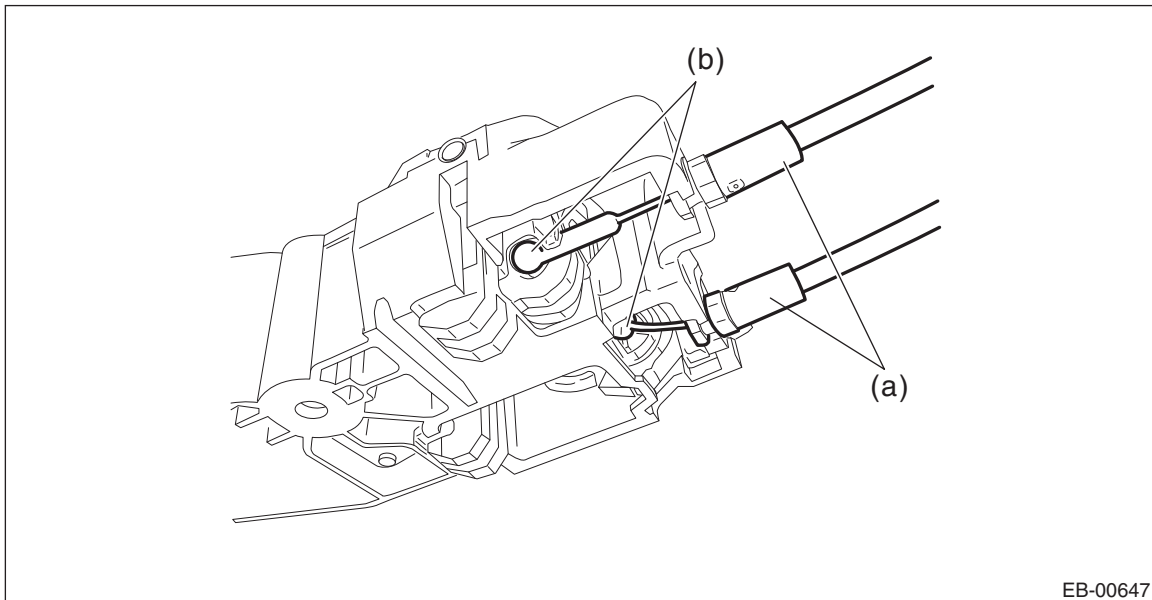
CAUTION:

When removing the door trim, be sure to remove the clips in the correct order. Forcibly removing clips may damage the door panel assembly.



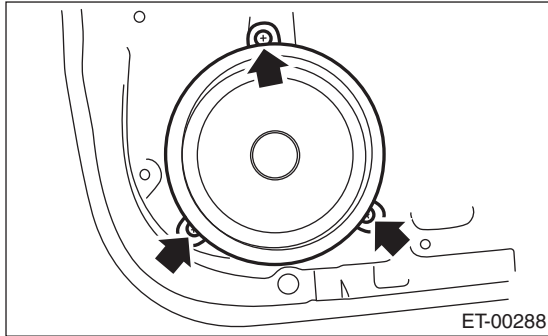
NOTE:

- Insert a plastic clip remover into the slit at the bottom edge of the door trim and lift the door trim.
- (3) Remove the cables (a) and (b) from the cable holder of inner remote.



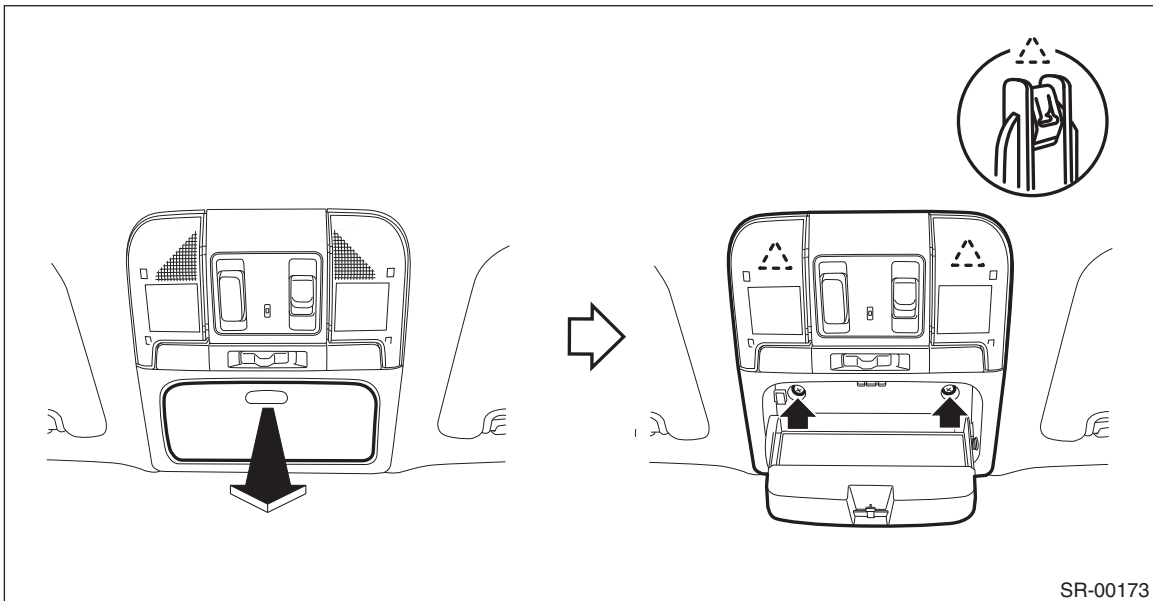
- (4) Disconnect the harness connector and remove the door trim.
- 17) Remove the rear speaker assembly on driver's side.
 - (1) Remove the screws.

- (2) Disconnect the harness connector and remove the rear door speaker.



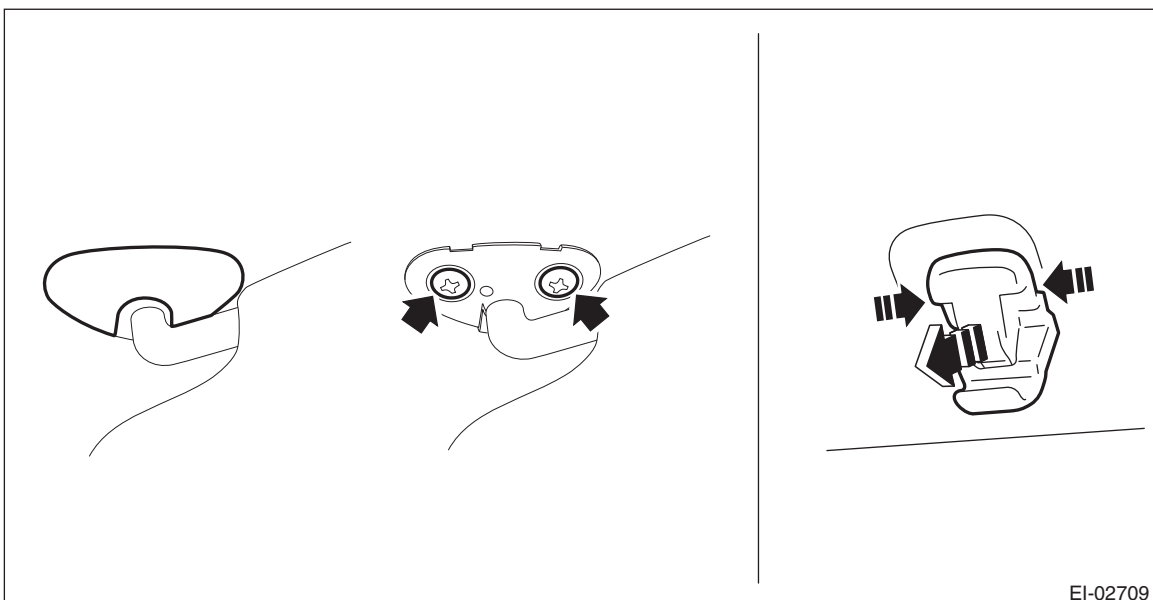
- 18) Remove the overhead console assembly.

- (1) Push and open the rear end of the overhead console lid, and remove the screws.
 (2) Disconnect the connector and remove the overhead console assembly.



- 19) Remove the left and right sun visor assembly.

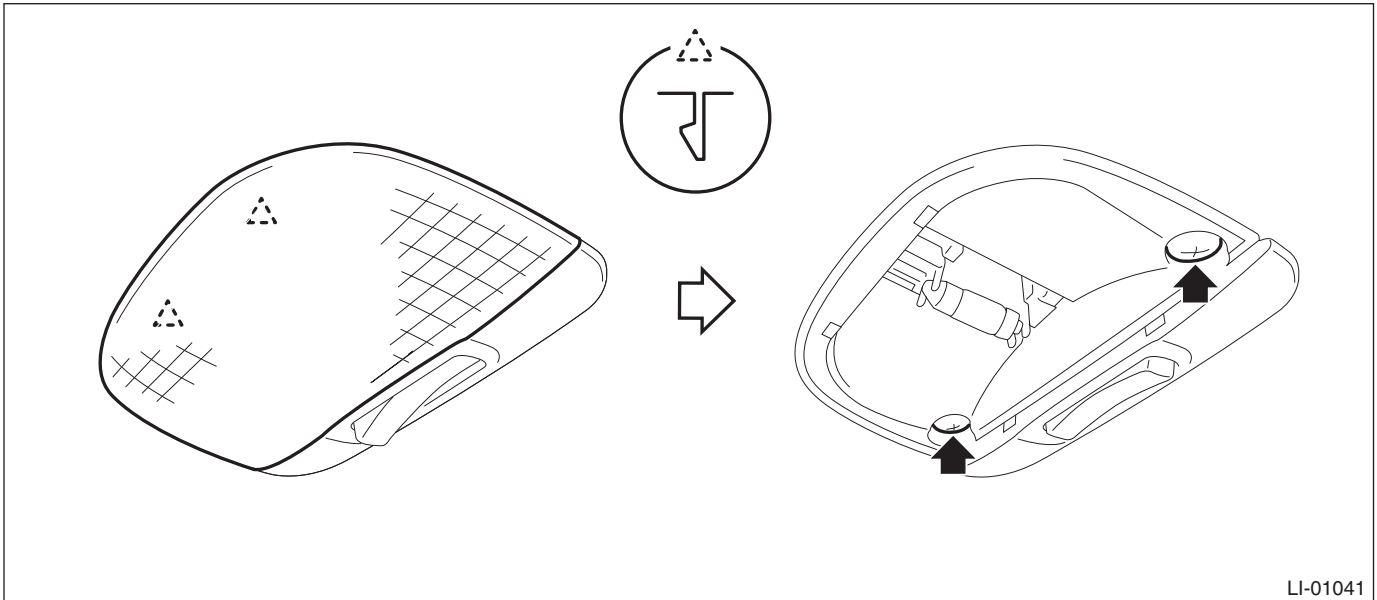
- (1) Remove the cover, loosen the screws, and remove the sun visor assembly.
 (2) Press the both sides of the sun visor hook using a flat tip screwdriver.
 (3) Remove the sun visor hook by pulling toward you.



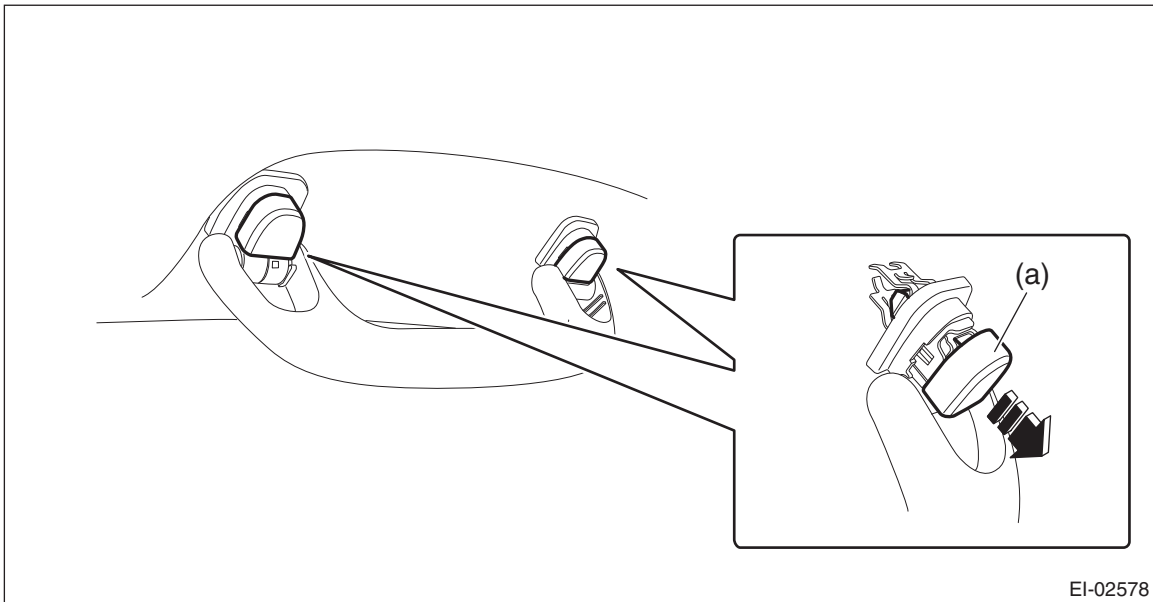
Roof Trim

EXTERIOR/INTERIOR TRIM

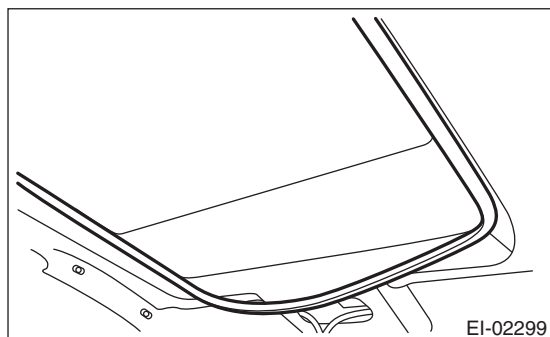
- 20) Remove the room light assembly.
(1) Release the claws and remove the cover.
(2) Remove the two screws.



- (3) Disconnect the connector and remove the room light assembly.
21) Remove all assist grip assembly.
(1) Remove the cap (a).
(2) Pull the assist grip toward you (to the vehicle center) and remove the metal clip from the bracket.

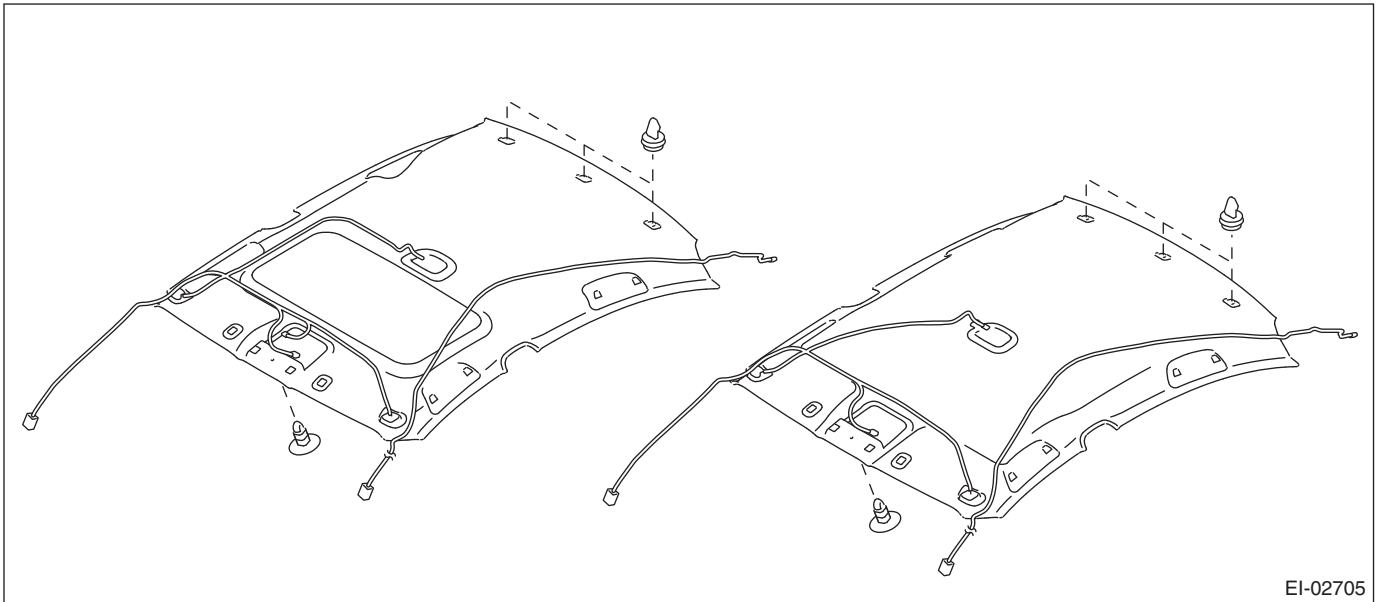


- 22) Remove the sun roof garnish. (Model with sunroof)



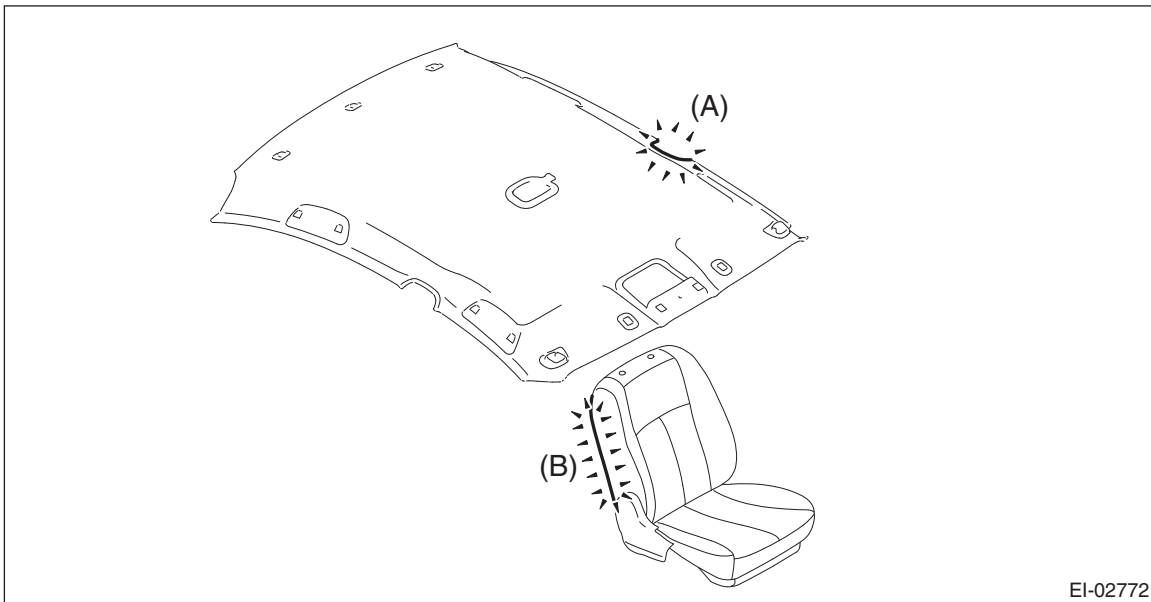
Roof Trim

- 23) Disconnect the roof harness connector at the front pillar RH.
- 24) Remove the roof trim assembly.
 - (1) Remove the clips, and then remove the roof trim.
 - (2) Remove the feeder cable from the roof trim.



EI-02705

- (3) Take out the roof trim assembly from inside the vehicle.
 - a) Align the center pillar (A) of roof trim with a corner (B) of the driver's seat and turn the roof trim obliquely.



EI-02772

- b) While holding the roof trim assembly in the condition in step a), take it out from the driver's side rear door opening.

Roof Trim

EXTERIOR/INTERIOR TRIM

2. OUTBACK MODEL

1) Disconnect the ground cable from battery and wait for at least 60 seconds before starting work.

CAUTION:

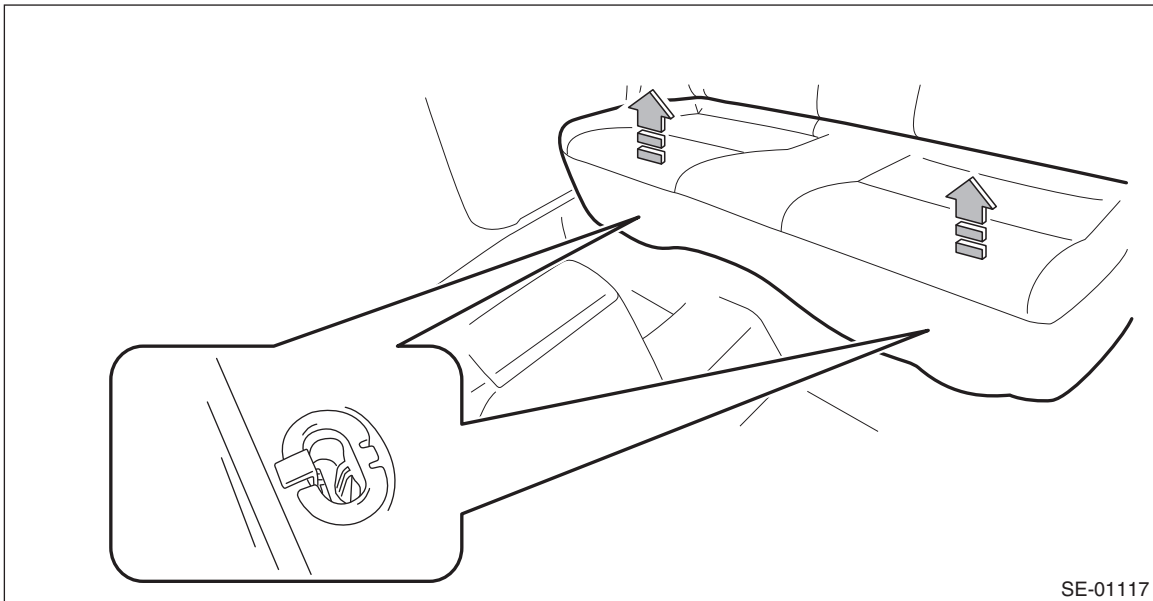
The airbag system is fitted with a backup power supply. After disconnecting the battery ground cable, the airbag may operate if you do not wait for 60 seconds before starting the service of airbag system.

2) Remove the rear seat cushion assembly.

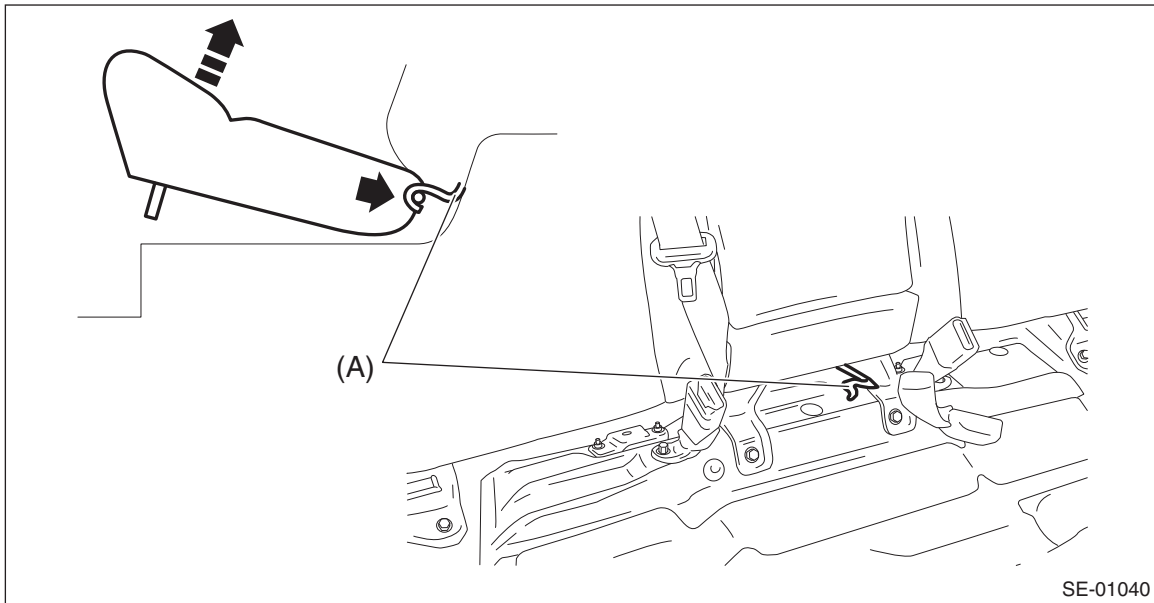
(1) Pull up the seat cushion and release the hook.

CAUTION:

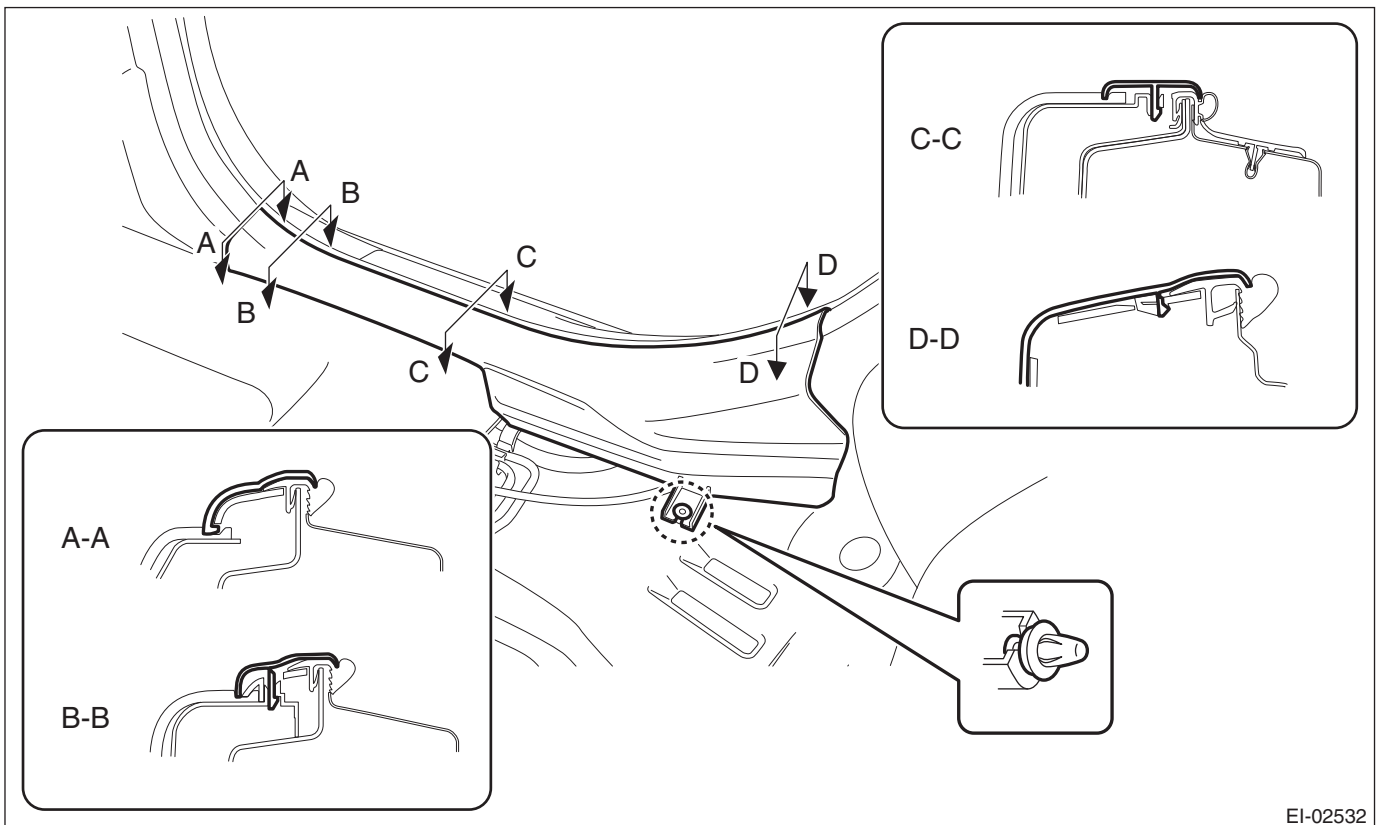
If the hook is removed from vehicle body, replace the hook with the new part to avoid the deterioration of seat securing.



(2) Remove the hook (A) by pushing it back while lifting the front side of the seat cushion, and remove the seat cushion.



3) Release the clips and claws, and then remove the left and right side sill covers-rear INN.



CAUTION:

Do not pull with excessive force. Doing so may damage the claws of the side sill cover INN.

NOTE:

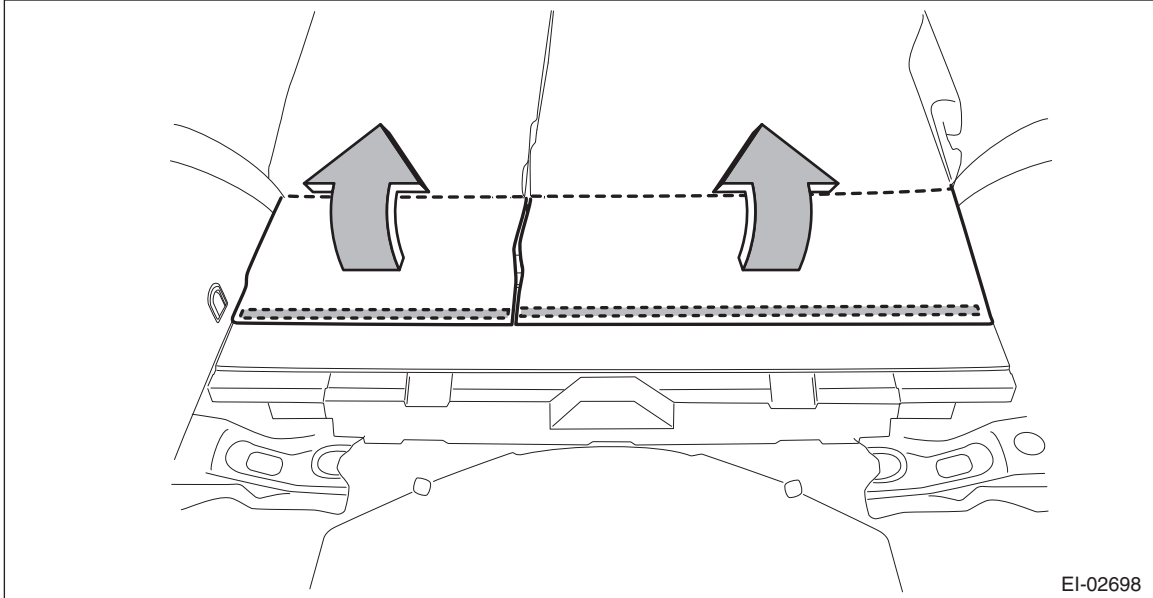
To release the claws of the side sill cover INN, the following steps are recommended.

1. Take out the weather strip from under the side sill cover INN.
2. Turn over the floor mat and release the claws (C) and (D) by accessing from behind the side sill cover INN.

Roof Trim

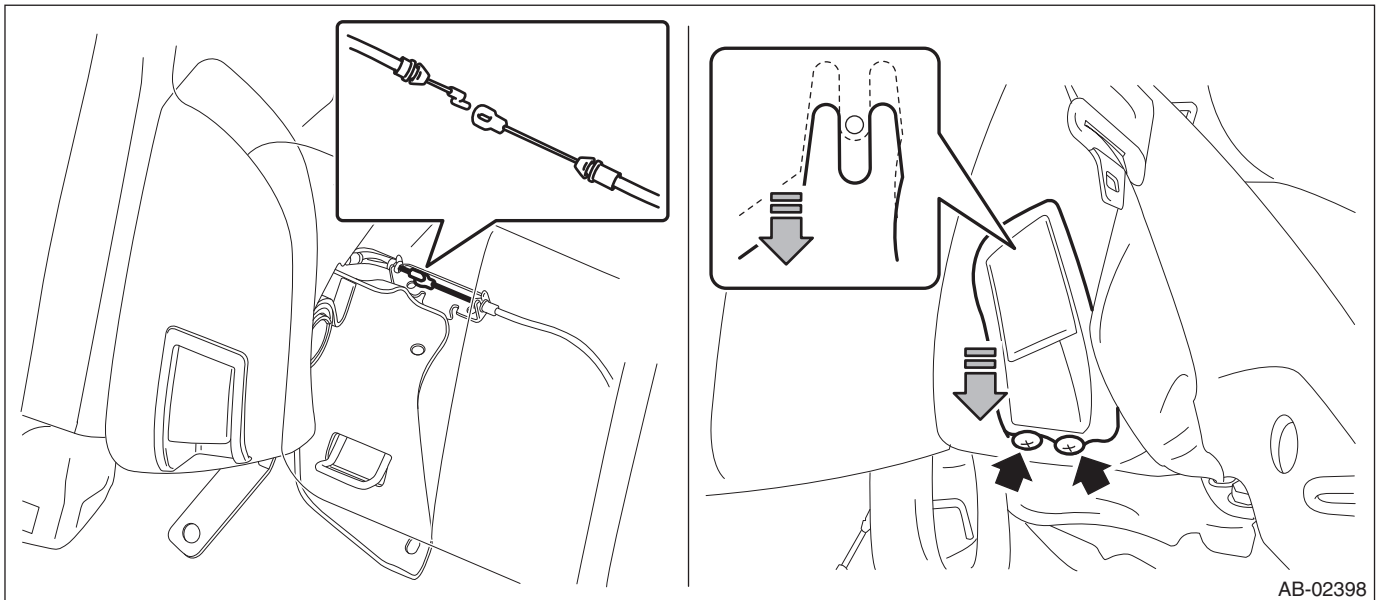
EXTERIOR/INTERIOR TRIM

- 4) Tilt the backrest forward and release the clips of the backrest backside mat.



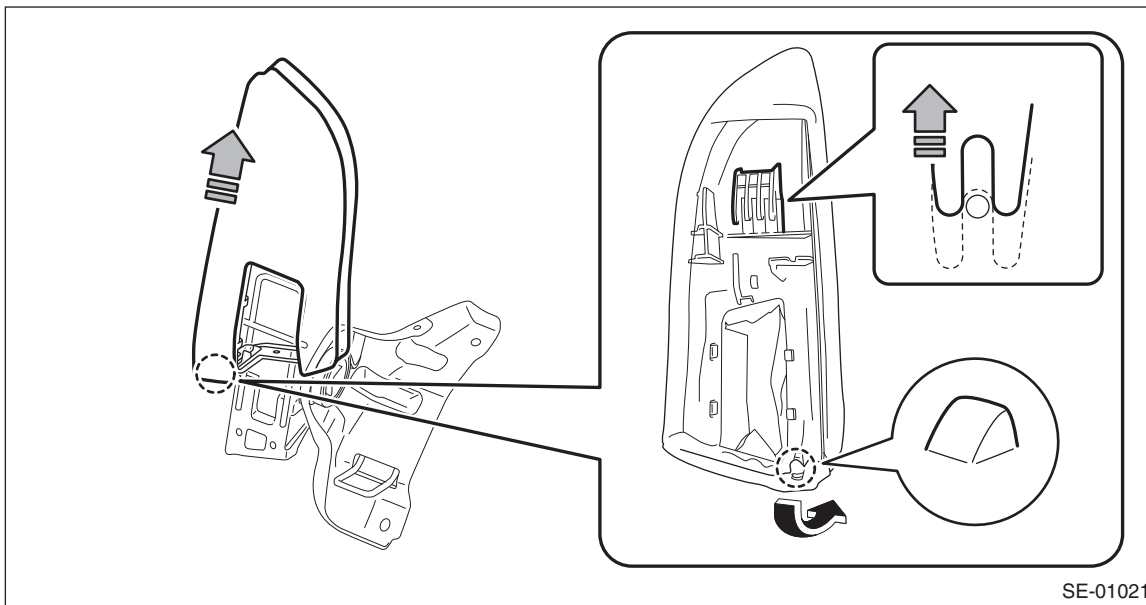
- 5) Remove the left and right backrest side pad assembly. (On the side where airbag sensor is removed)
- (1) Disconnect the backrest cable and reclining lever cable.
 - (2) Remove the screws and remove the reclining lever assembly by pulling it downward.

Preparation tool: Stubby screwdriver



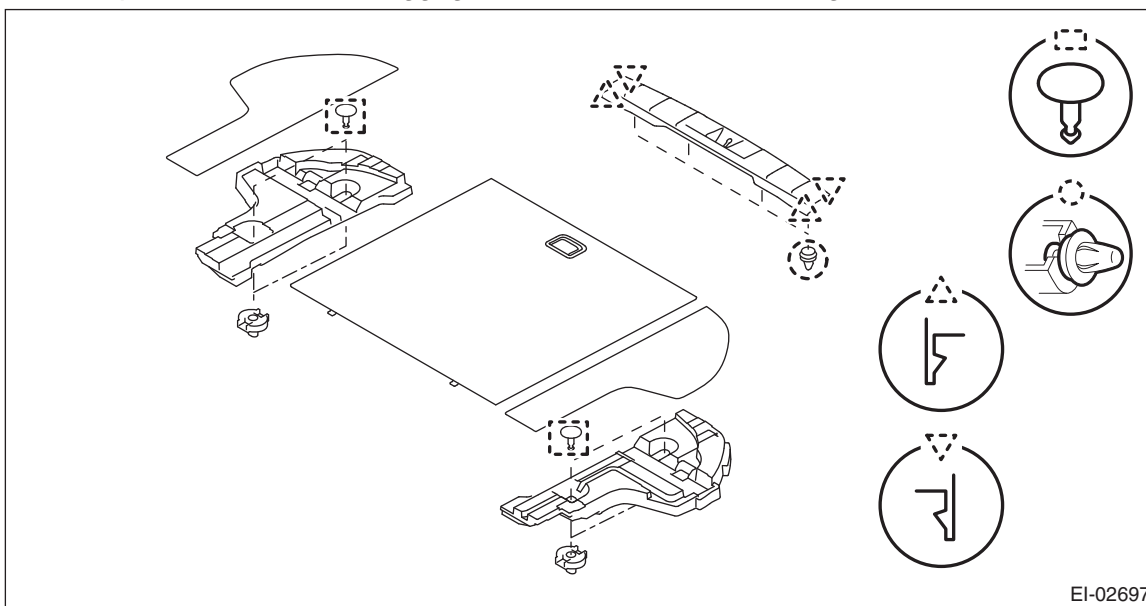
- (3) Turn over the bottom end of the backrest side pad in the forward direction so that the claws are released.

(4) Remove the backrest side pad by pulling it up.



SE-01021

6) Remove the clips, and remove the luggage floor box and rear floor edge cover.



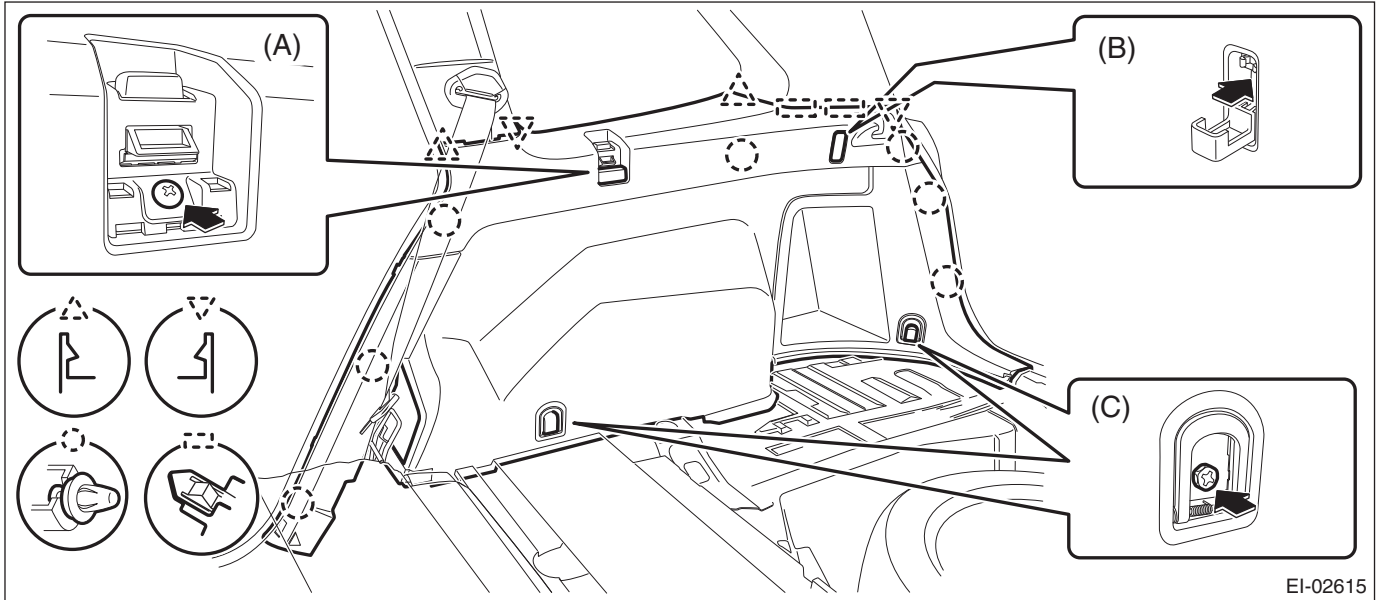
EI-02697

7) Remove the left and right rear quarter trim LWR.
 (1) Remove the caps, screws, and bolts. (A), (C)
 (2) Take out the hook and remove the screw inside. (B)

Roof Trim

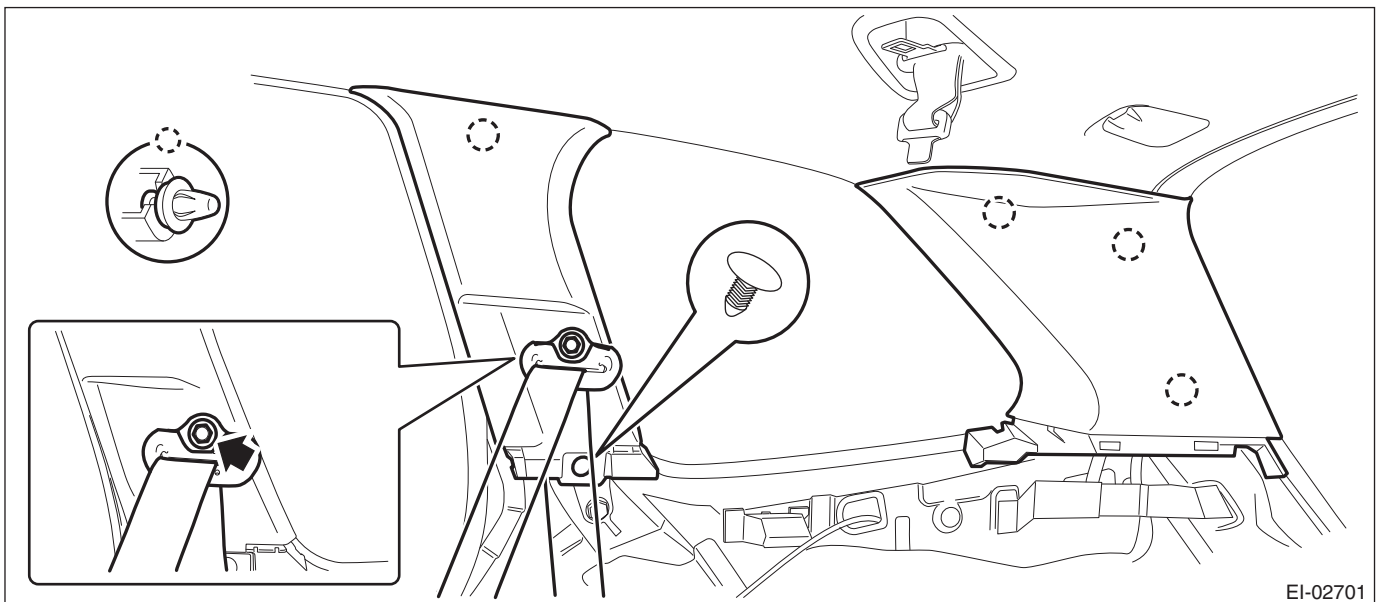
EXTERIOR/INTERIOR TRIM

(3) Remove the clips, and remove the rear quarter trim LWR.



8) Remove the left and right rear quarter trim UPR.

- (1) Open the cap and remove the bolt to remove the seat belt anchor.
- (2) Remove the clips, and remove the rear quarter trim UPR-front.
- (3) Remove the clips, and remove the rear quarter trim UPR-rear.



9) Remove the left and right front pillar trims.

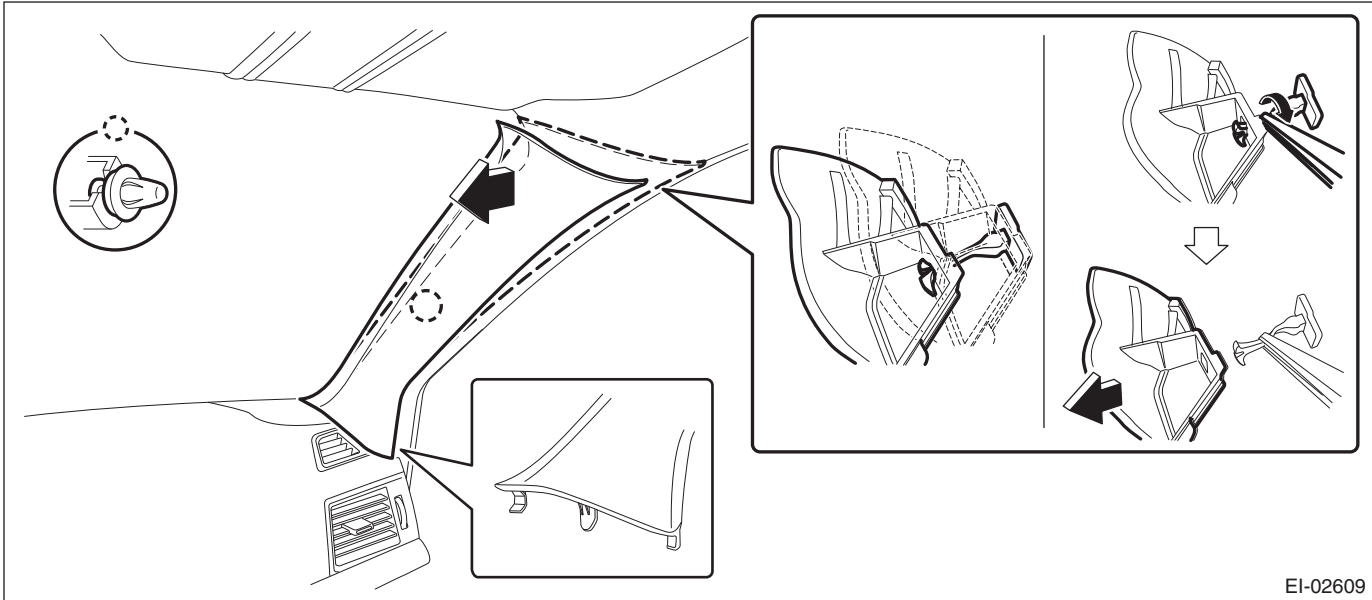
- (1) Pull the upper part of the front pillar trim towards the center of the vehicle.
- (2) Insert long-nose pliers into the top part of the trim, grip the clip with the pliers and twist 90° in that position.

CAUTION:

Be careful not to damage the pillar trim surface and curtain airbag module when inserting the pliers.

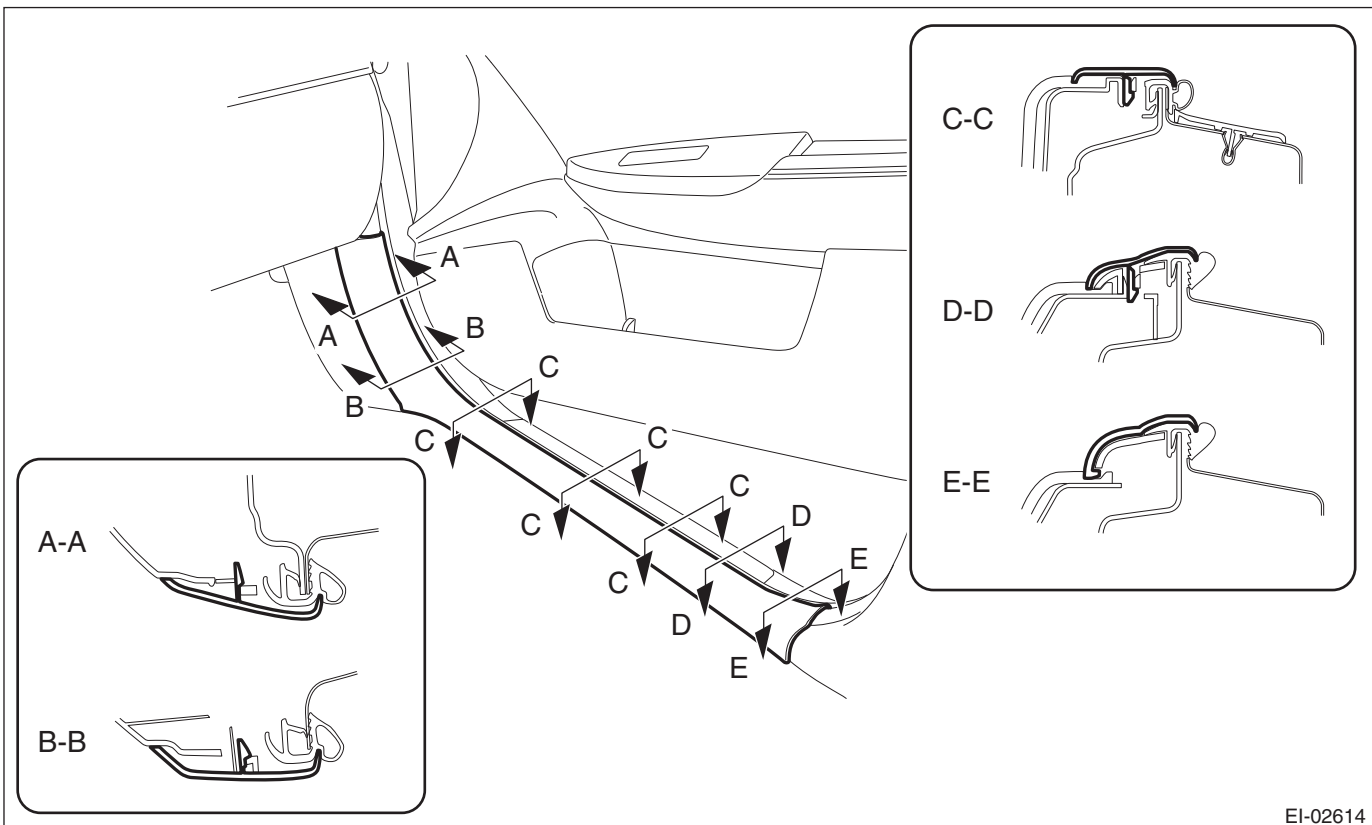
- (3) Holding the clip twisted as in the previous step, remove the front pillar trim from the clip.

(4) Remove the clip and the front pillar trim.



EI-02609

10) Release the claws, and then remove the left and right side sill cover-front INN.



EI-02614

CAUTION:

Do not pull with excessive force. Doing so may damage the claws of the side sill cover INN.

NOTE:

To release the claws of the side sill cover INN, the following steps are recommended.

1. Take out the weather strip from under the side sill cover INN.
2. Turn over the floor mat and release the claw (C) by accessing from behind the side sill cover INN.

Roof Trim

EXTERIOR/INTERIOR TRIM

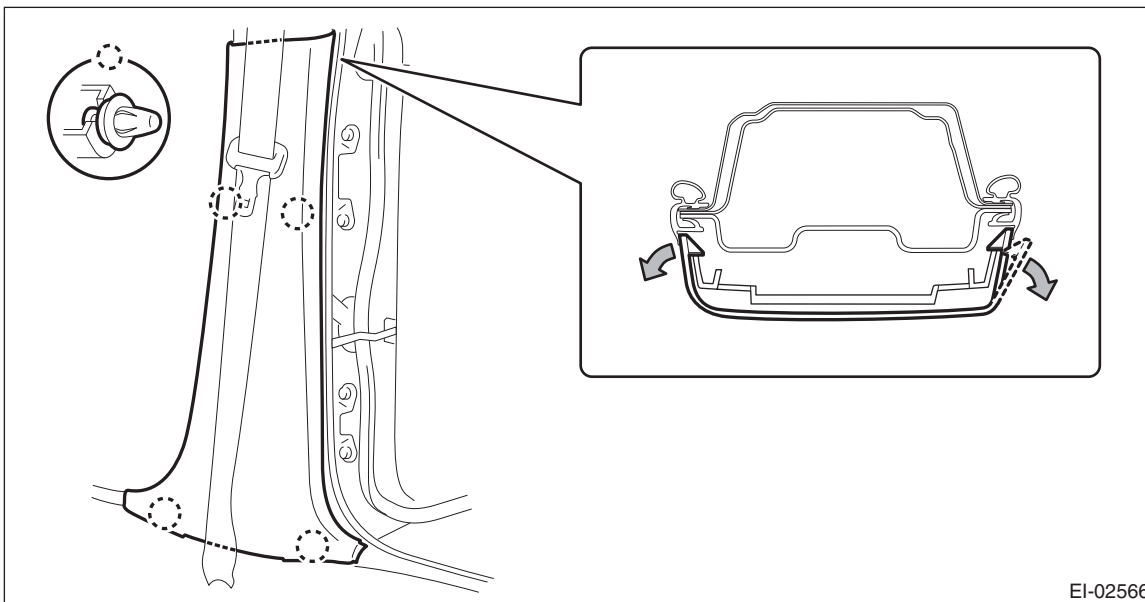
11) Remove the left and right center pillar trim LWR.

(1) Release the clip by pulling the center pillar trim LWR toward you.

(2) Expand the claws of center pillar trim LWR outward and remove it from the center pillar trim UPR.

CAUTION:

Do not expand the center pillar trim LWR excessively. Doing so may damage the trim.



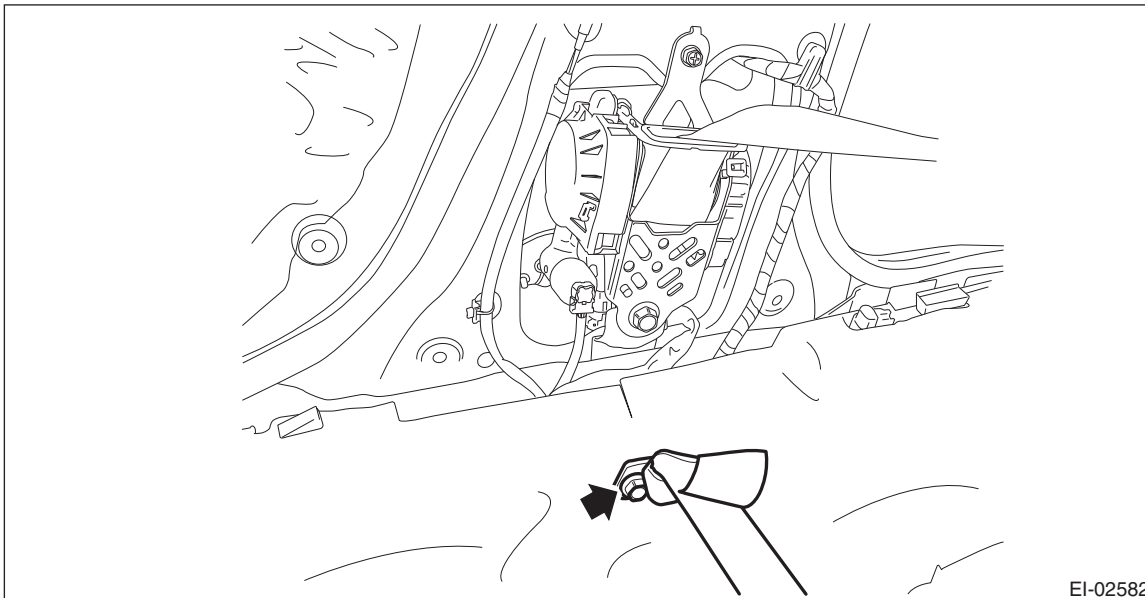
EI-02566

NOTE:

First release the claw located to the rear of the vehicle.

12) Remove the center pillar trim UPR.

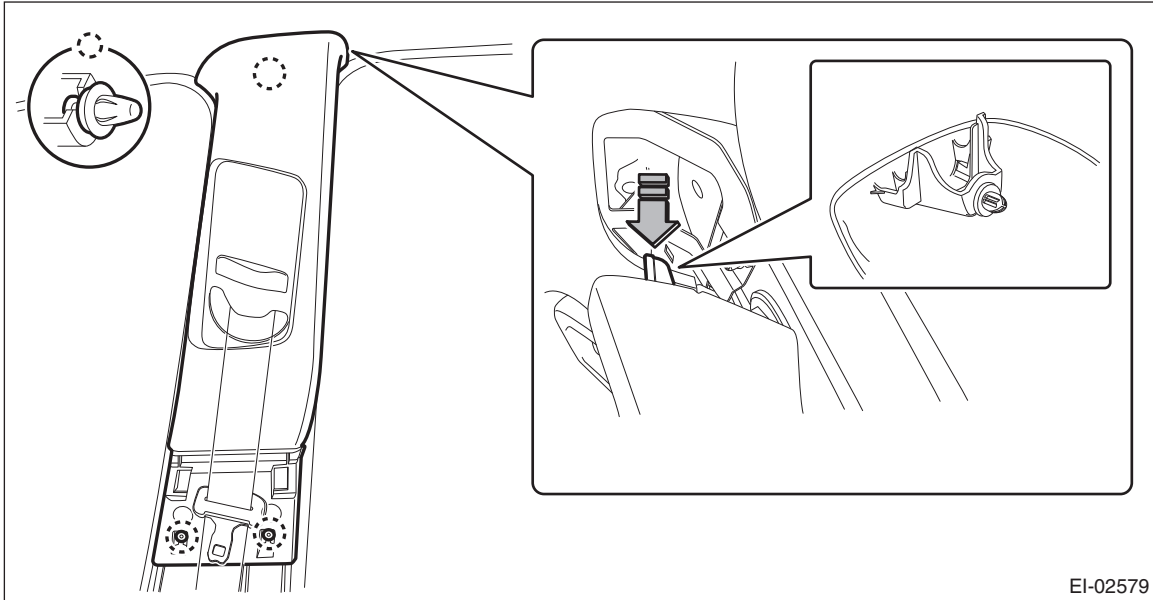
(1) Remove the seat belt lower anchor bolt.



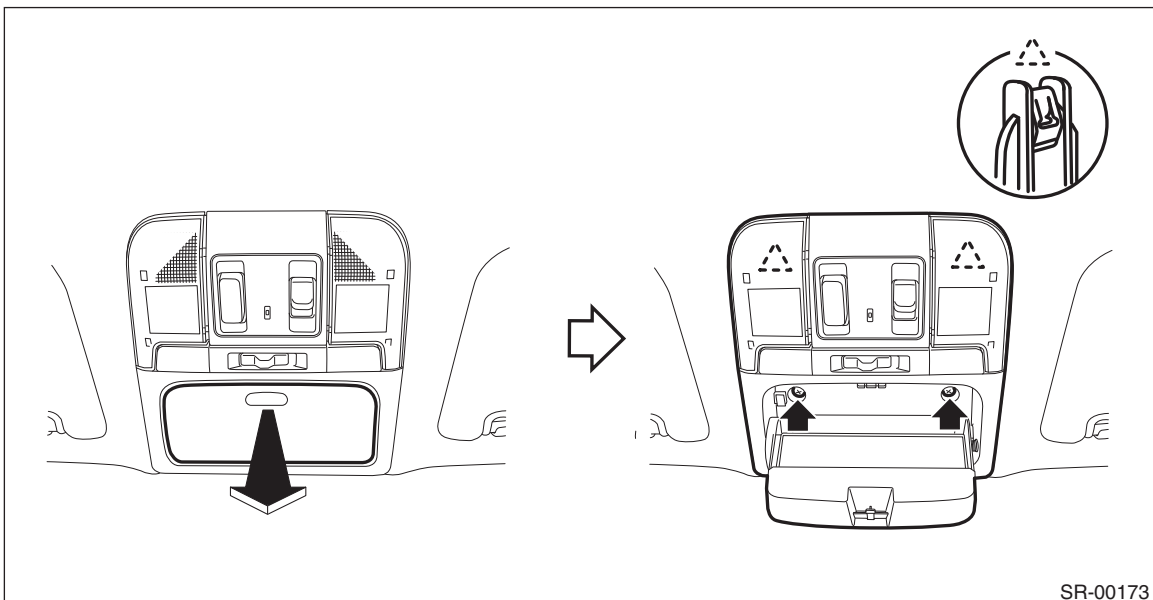
EI-02582

(2) Release the clip by pulling the center pillar trim UPR toward you.

- (3) Remove the center pillar trim UPR by lowering the entire trim.



- (4) Pull out the seat belt and remove the center pillar trim UPR.
- 13) Remove the overhead console assembly.
- (1) Push and open the rear end of the overhead console lid, and remove the screws.
 - (2) Disconnect the connector and remove the overhead console assembly.

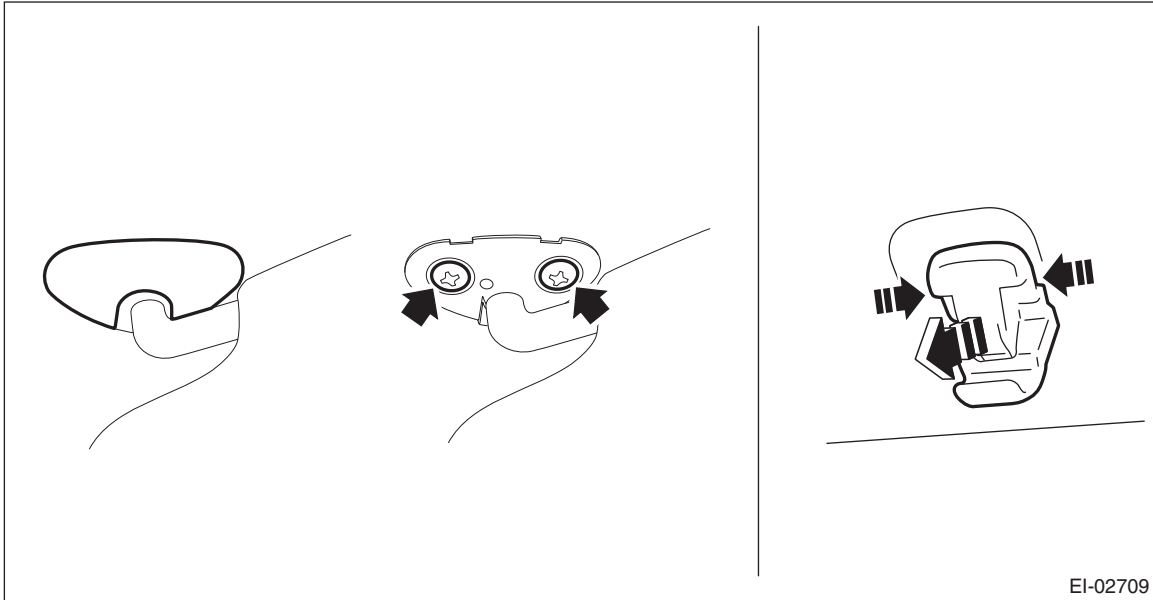


- 14) Remove the left and right sun visor assembly.
- (1) Remove the cover, loosen the screws, and remove the sun visor assembly.
 - (2) Press the both sides of the sun visor hook using a flat tip screwdriver.

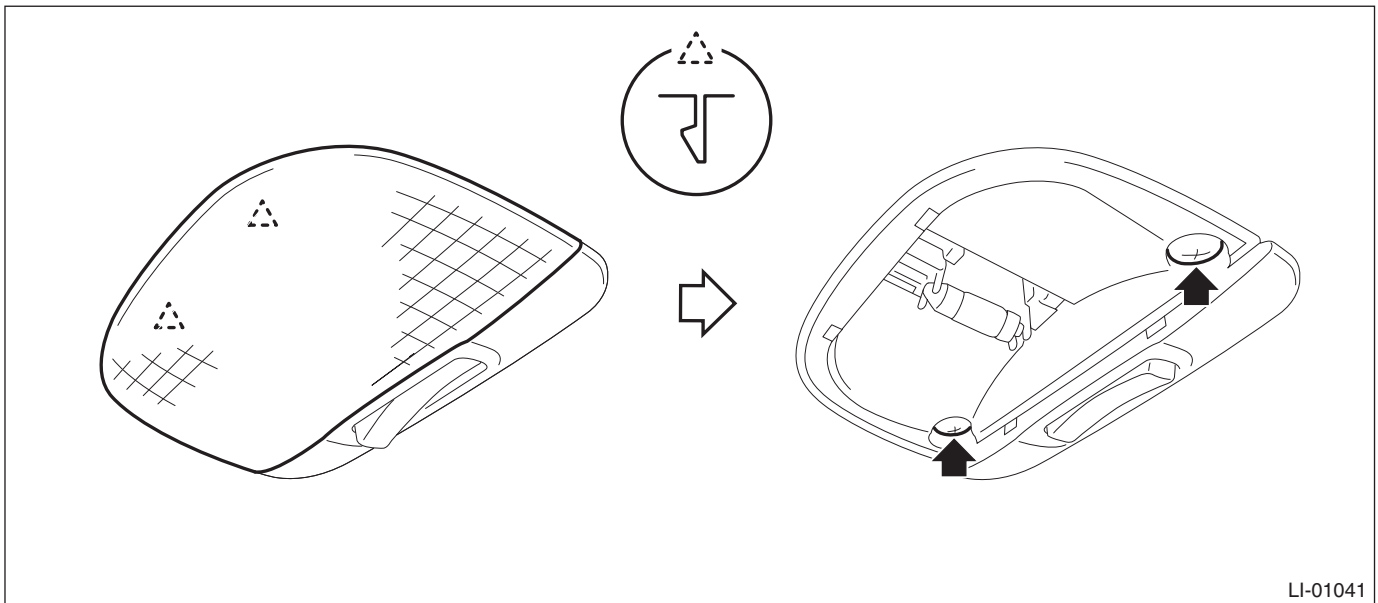
Roof Trim

EXTERIOR/INTERIOR TRIM

- (3) Remove the sun visor hook by pulling toward you.

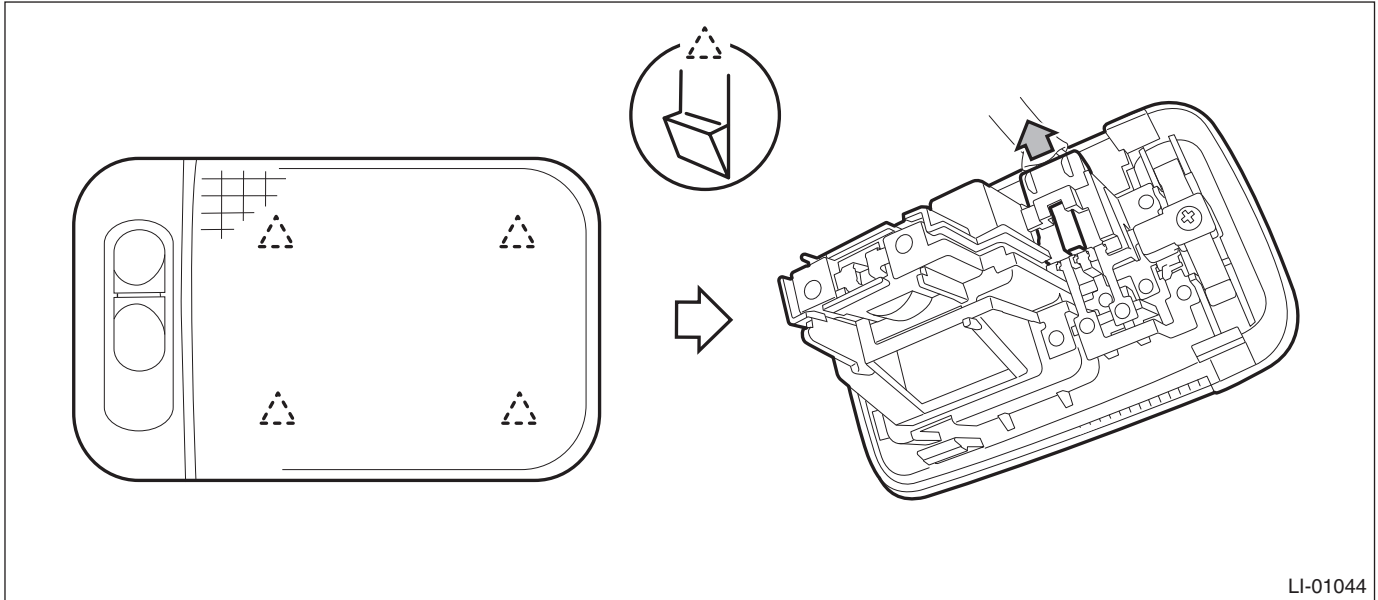


- 15) Remove the room light assembly.
(1) Release the claws and remove the cover.
(2) Remove the two screws.



- (3) Disconnect the connector and remove the room light assembly.
16) Remove the luggage light.
(1) Release the claws and remove the luggage room light main body.

(2) Disconnect the connector and remove the luggage room light.

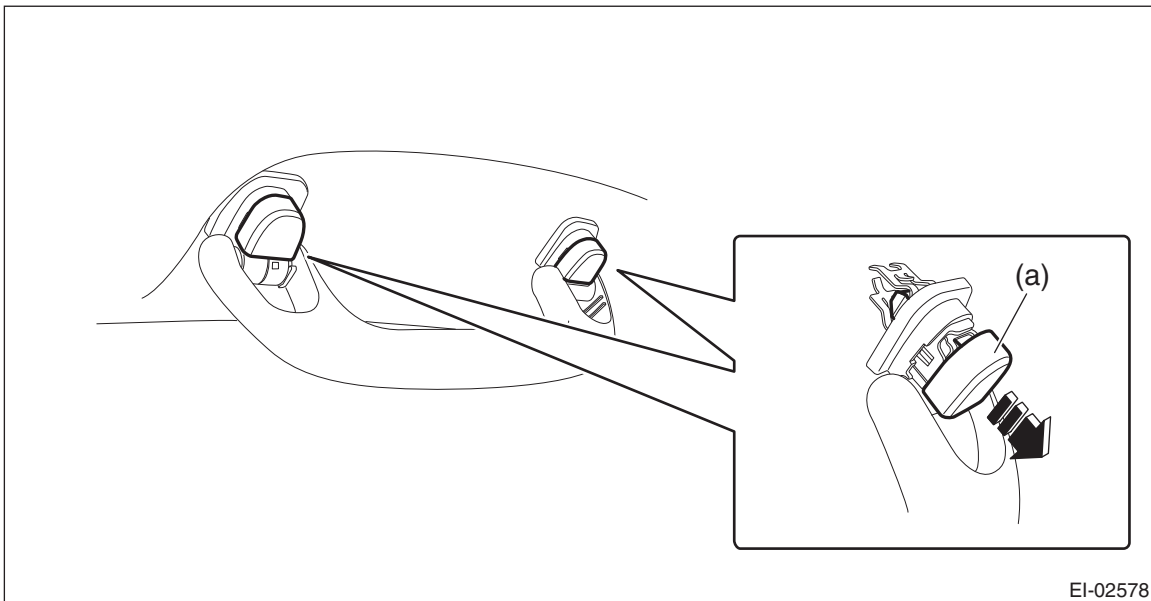


LI-01044

17) Remove all assist grip assembly.

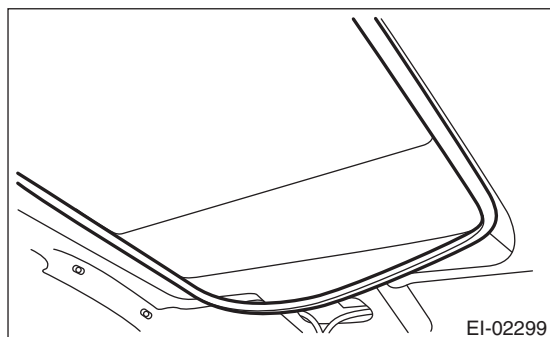
(1) Remove the cap (a).

(2) Pull the assist grip toward you (to the vehicle center) and remove the metal clip from the bracket.



EI-02578

18) Remove the sun roof garnish. (Model with sunroof)



EI-02299

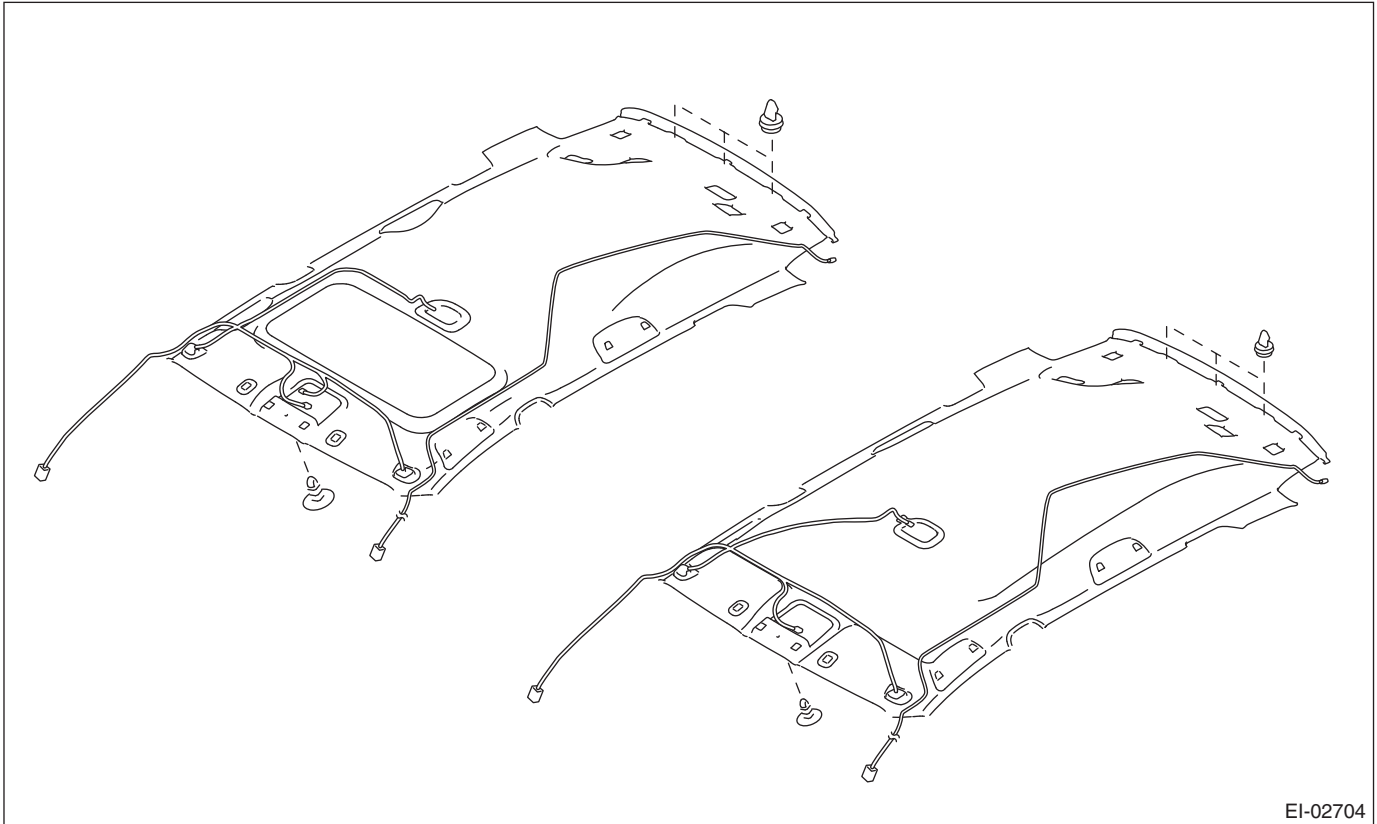
19) Disconnect the roof harness connector at the front pillar RH.

20) Remove the roof trim assembly.

Roof Trim

EXTERIOR/INTERIOR TRIM

- (1) Release the clips and remove the feeder cable from the roof trim.
- (2) Take out the roof trim assembly from the rear gate opening to outside.



B: INSTALLATION

Install each part in the reverse order of removal.

CAUTION:

If the hook is removed from vehicle body, replace the hook with the new part to avoid the deterioration of seat securing.

