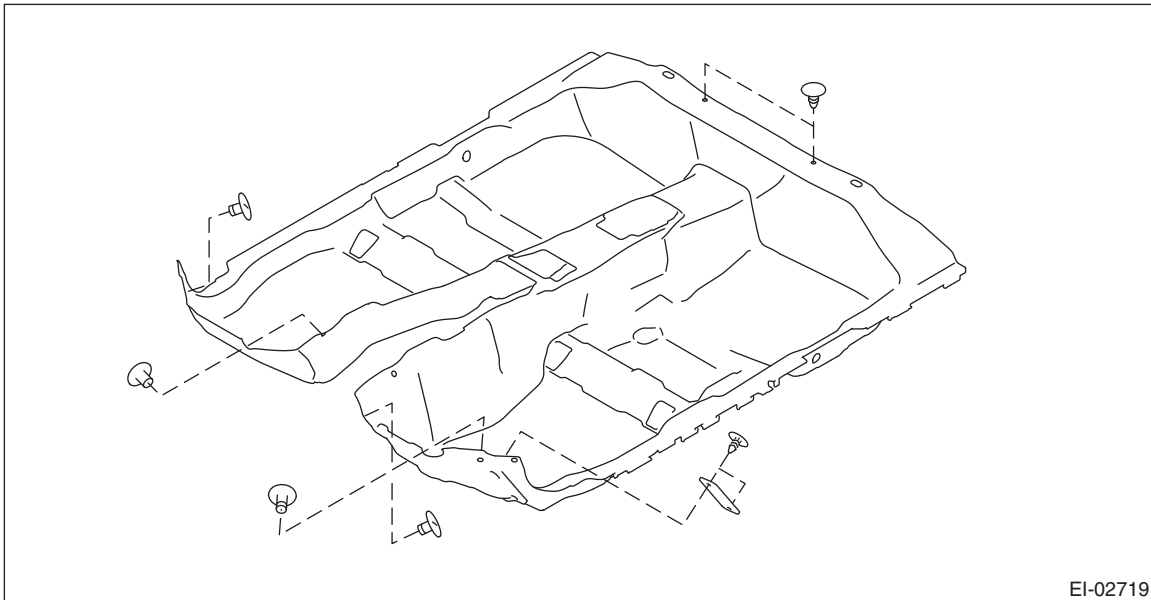


29.Floor Mat

A: REMOVAL

- 1) Remove the front seat assembly. <Ref. to SE-10, REMOVAL, Front Seat.>
- 2) Remove the rear seat cushion assembly. <Ref. to SE-32, REMOVAL, Rear Seat.>
- 3) Remove the console box assembly. <Ref. to EI-72, REMOVAL, Console Box.>
- 4) Remove the console front side cover. <Ref. to EI-69, CONSOLE FRONT COVER, REMOVAL, Center Console.>
- 5) Remove the lower inner trim. <Ref. to EI-95, REMOVAL, Lower Inner Trim.>
- 6) Take out the floor mat from the vehicle.
 - (1) Remove the clips from the floor mat.
 - (2) Remove the mat hook on both sides.
 - (3) Take out the floor mat after folding down.



B: INSTALLATION

Install each part in the reverse order of removal.

NOTE:

Secure the mat firmly with hook and clip.