

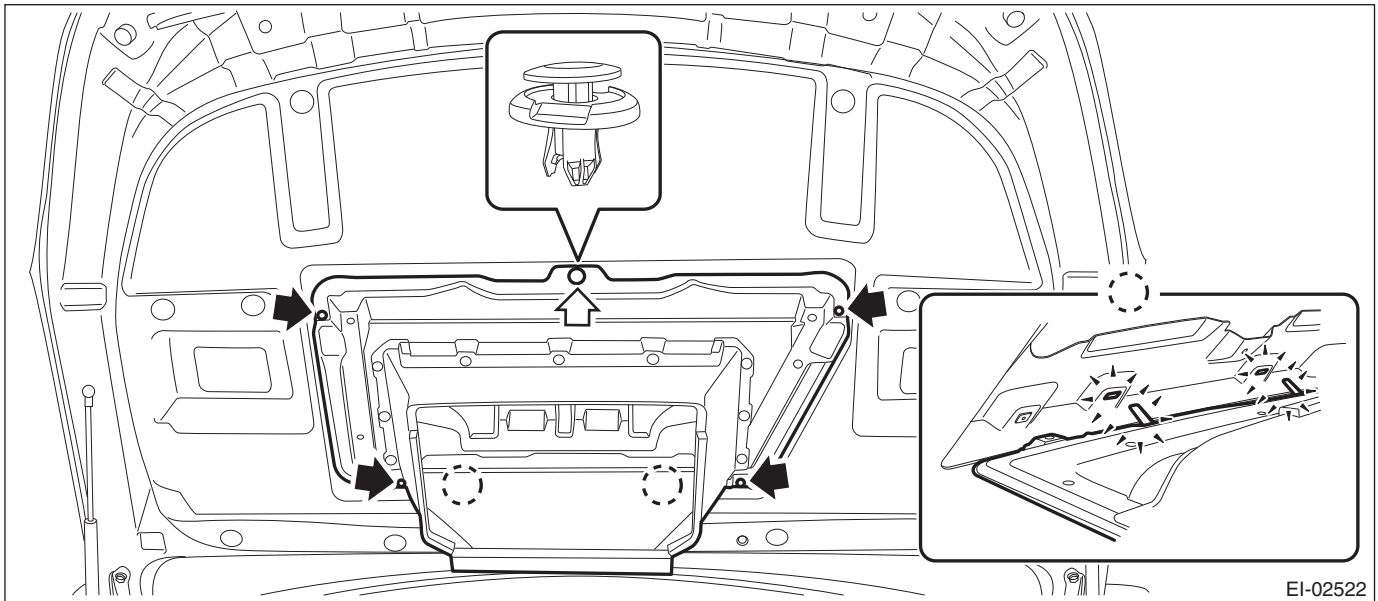
Front Hood Grille

EXTERIOR/INTERIOR TRIM

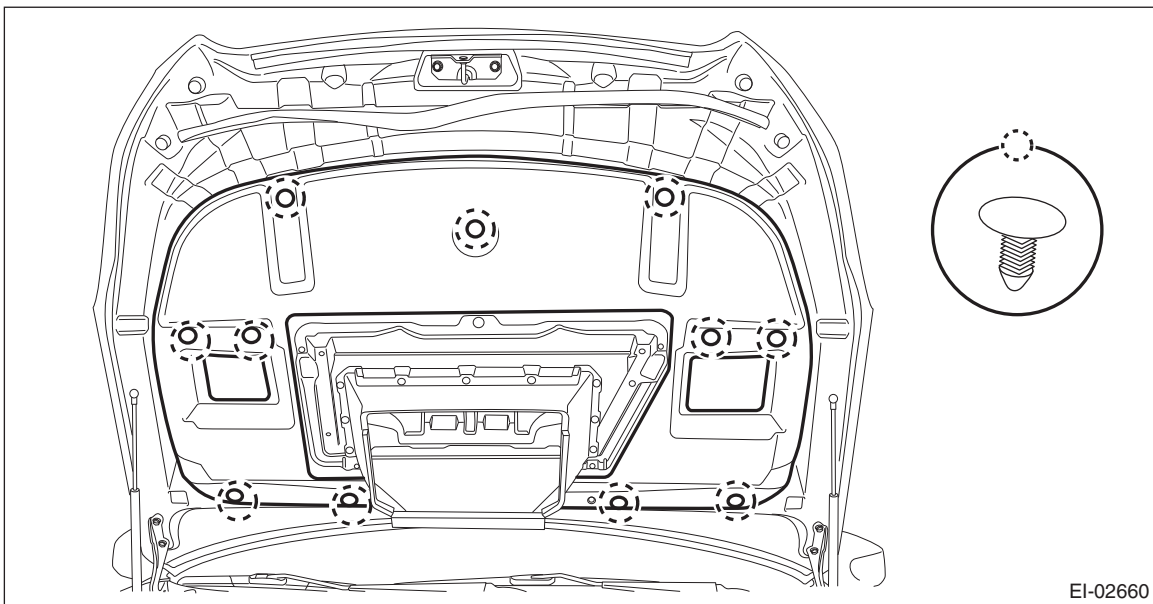
3. Front Hood Grille

A: REMOVAL

- 1) Open the front hood.
- 2) Remove the hood duct assembly.
 - (1) Remove the screws.
 - (2) Remove the clips and remove the hood duct assembly.

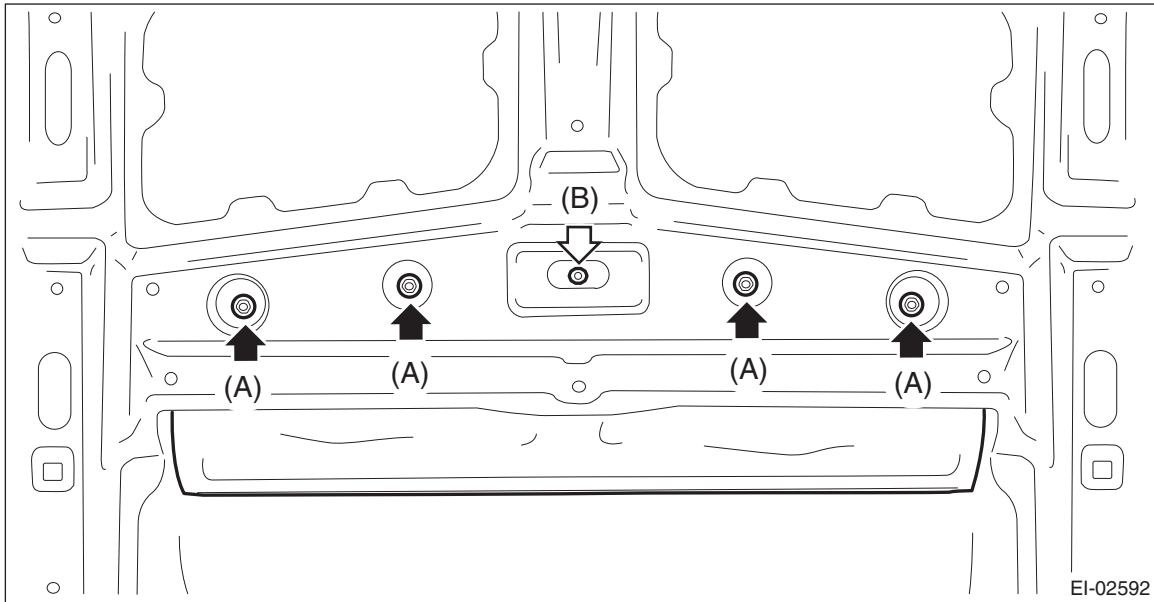


- 3) Release the clips to remove the front hood insulator.



- 4) Remove the front hood grille.
 - (1) Remove the nuts (A).

(2) Remove clip (B), and remove the front hood grille.



B: INSTALLATION

Install each part in the reverse order of removal.

Tightening torque: <Ref. to EI-4, FRONT HOOD GRILLE, COMPONENT, General Description.>

NOTE:

Make sure that the front hood duct claws are inserted in the holes on the front hood.

