

Ornament

EXTERIOR/INTERIOR TRIM

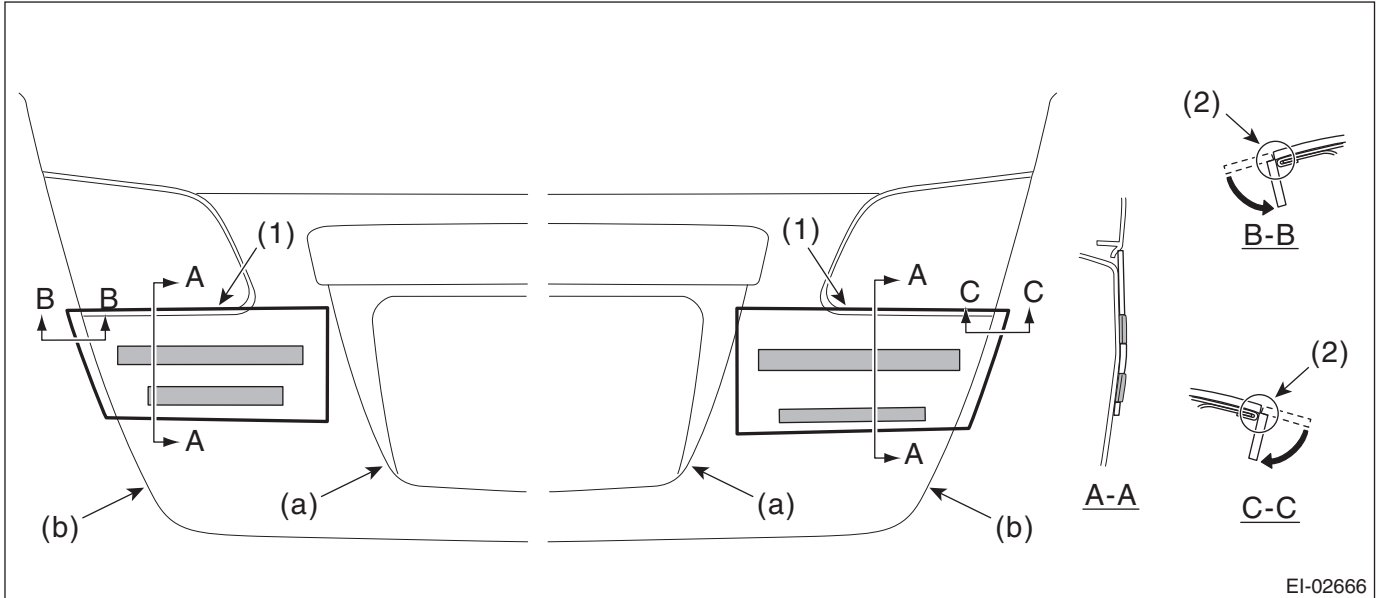
33.Ornament

A: INSTALLATION

1. LETTER MARK

Adhere the letter mark according to the following measurements.

- Sedan model



EI-02666

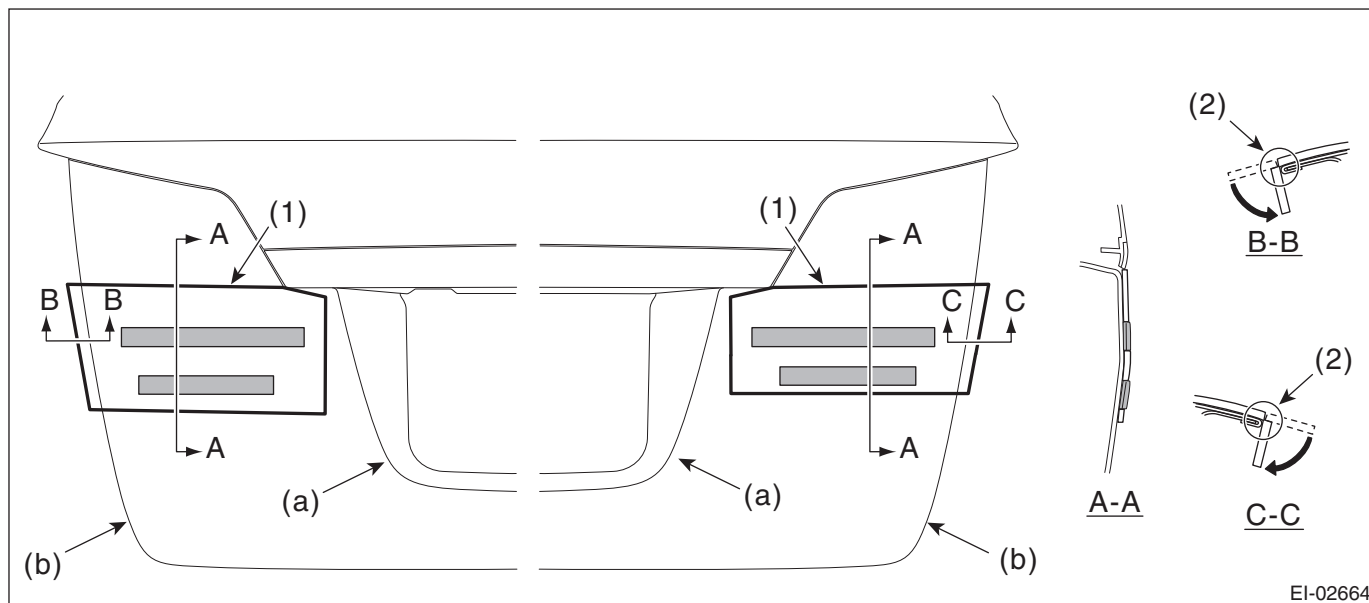
(a) Character line

(b) Trunk lid panel end

(1) Align the top end of application tape to the rear finisher light.

(2) Align the slit of application tape to the end of trunk lid panel and break off the application tape.

- OUTBACK model



EI-02664

(a) Character line

(b) End of rear gate panel

(1) Align the top end of application tape to the rear finisher light.

(2) Align the slit of application tape to the end of rear gate panel and break off the application tape.

Ornament

EXTERIOR/INTERIOR TRIM
