

Cowl Panel

EXTERIOR/INTERIOR TRIM

4. Cowl Panel

A: REMOVAL

- 1) Open the front hood.
- 2) Remove the front wiper arm assembly.

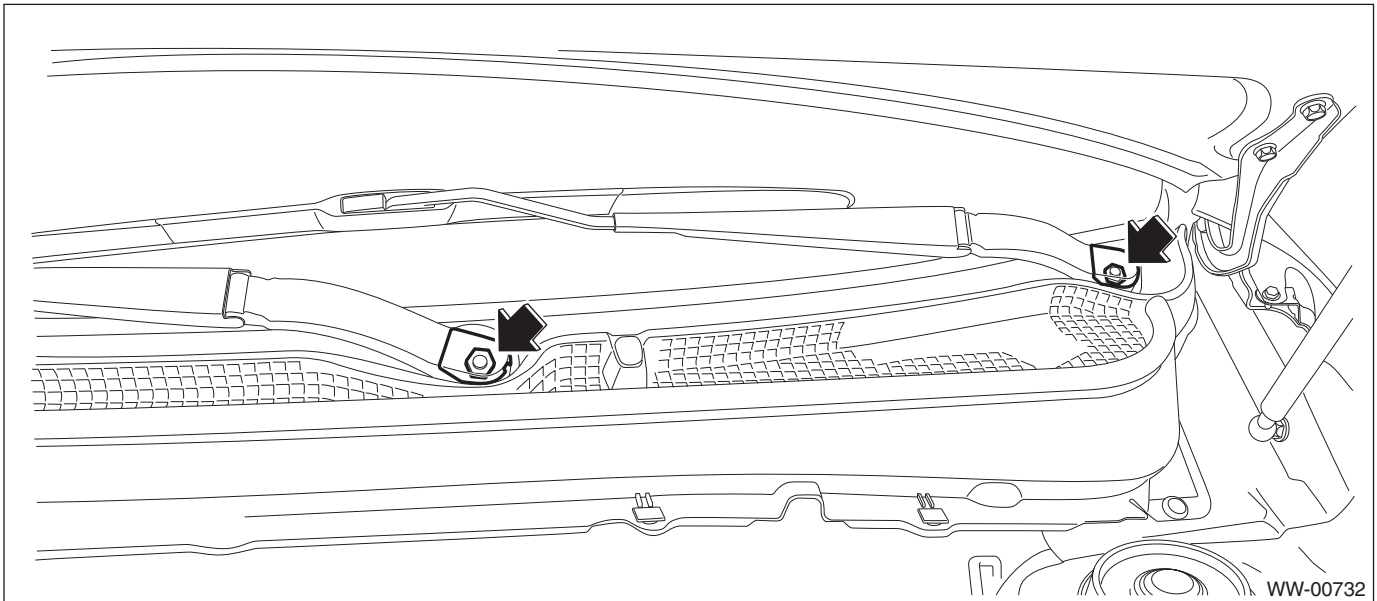
CAUTION:

Follow the steps below when standing up the wiper arm. Not following the steps may cause contacting of wiper arms and damages of wiper arms.

1. Stand up the driver's side wiper arm.
2. Stand up the passenger's side wiper arm.

Fold the wiper arms in the reverse order.

- (1) Remove the cap.
- (2) Remove the nuts, and remove the front wiper arm assembly.

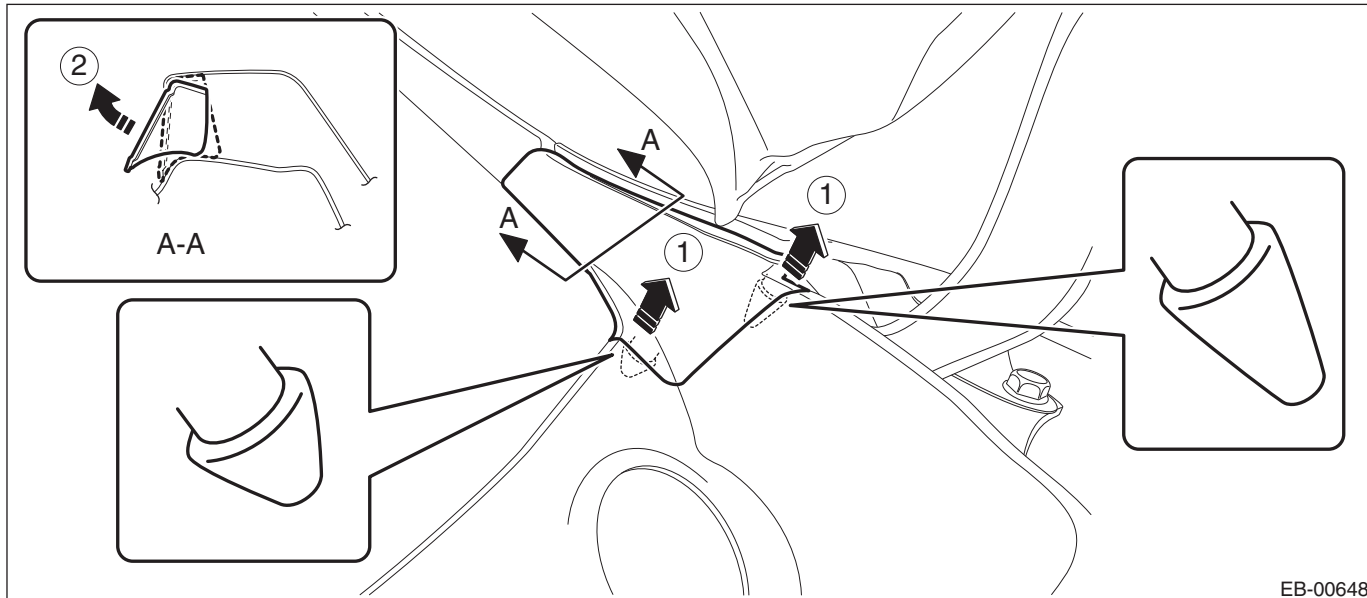


3) Remove the cowl panel side.

- (1) Detach the pins of the cowl panel side.
- (2) Remove the cowl panel side from inside the fender panel by pulling it.

CAUTION:

Applying excessive pulling force may damage the cowl panel side. If it is difficult to remove, use a plastic remover or equivalent tool.



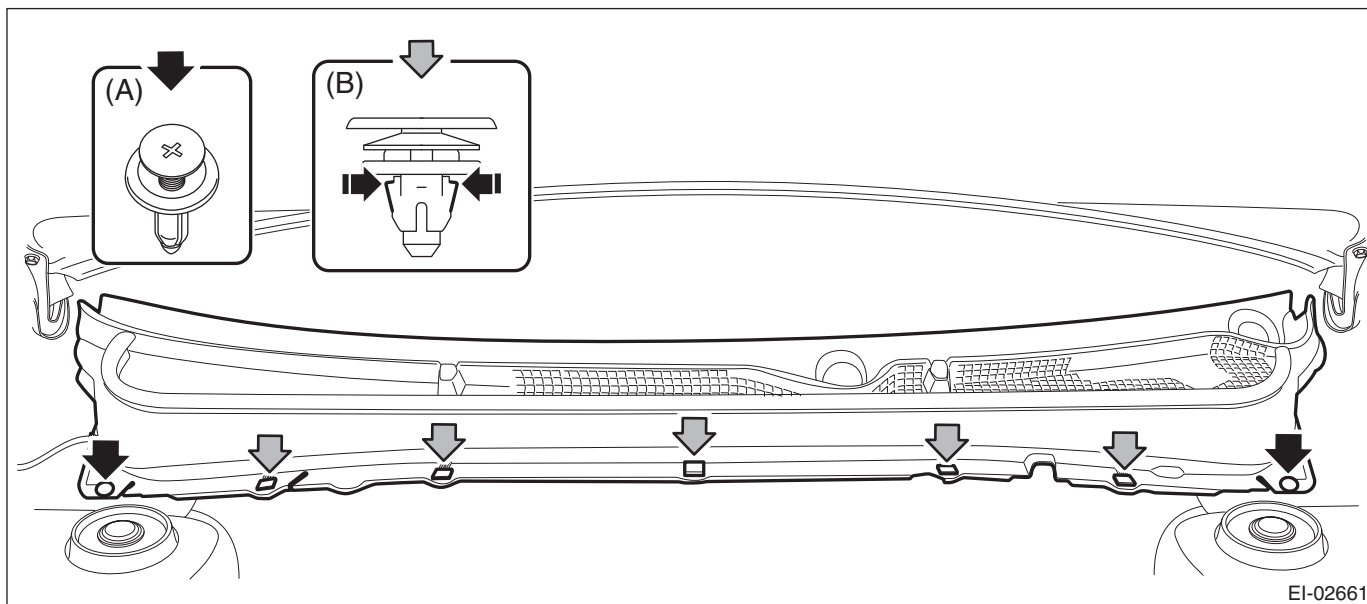
EB-00648

4) Remove the cowl panel.

- (1) Release the clip (A).
- (2) Push the claw of the clip (B) from both sides to remove it.

CAUTION:

When removing the clip (B), push the claw of the clip from both sides. The clip may be damaged if forcibly pulled.

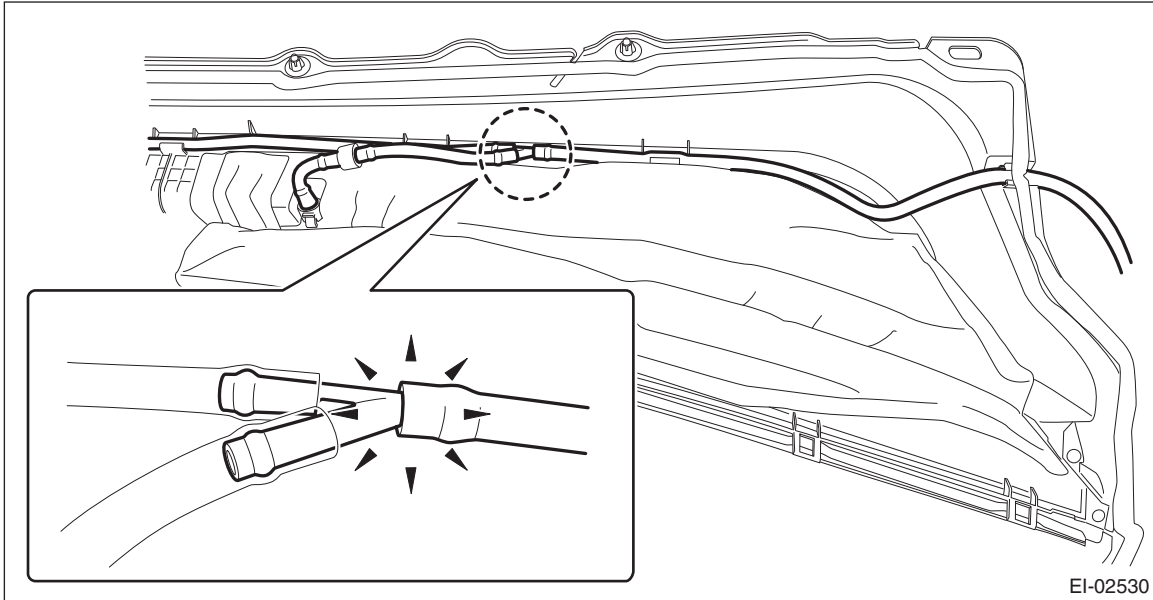


EI-02661

Cowl Panel

EXTERIOR/INTERIOR TRIM

(3) Disconnect the washer hose.

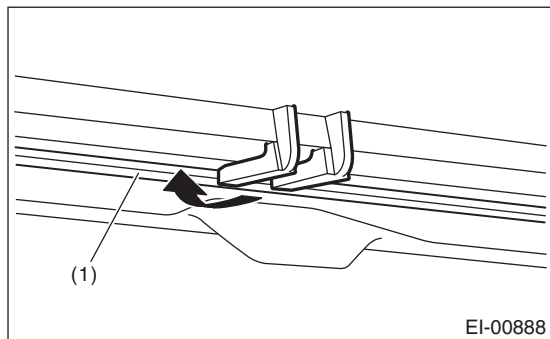


B: INSTALLATION

Install each part in the reverse order of removal.

NOTE:

- Attach the claws of cowl panel to the bottom end of windshield.



(1) Cross section of windshield

- If the washer nozzles have been removed from the cowl panel, adjust the washer spray positions. <Ref. to WW-34, ADJUSTMENT, Front Washer Nozzle.>

Tightening torque:

Front wiper arm: <Ref. to WW-3, FRONT WIPER, COMPONENT, General Description.>