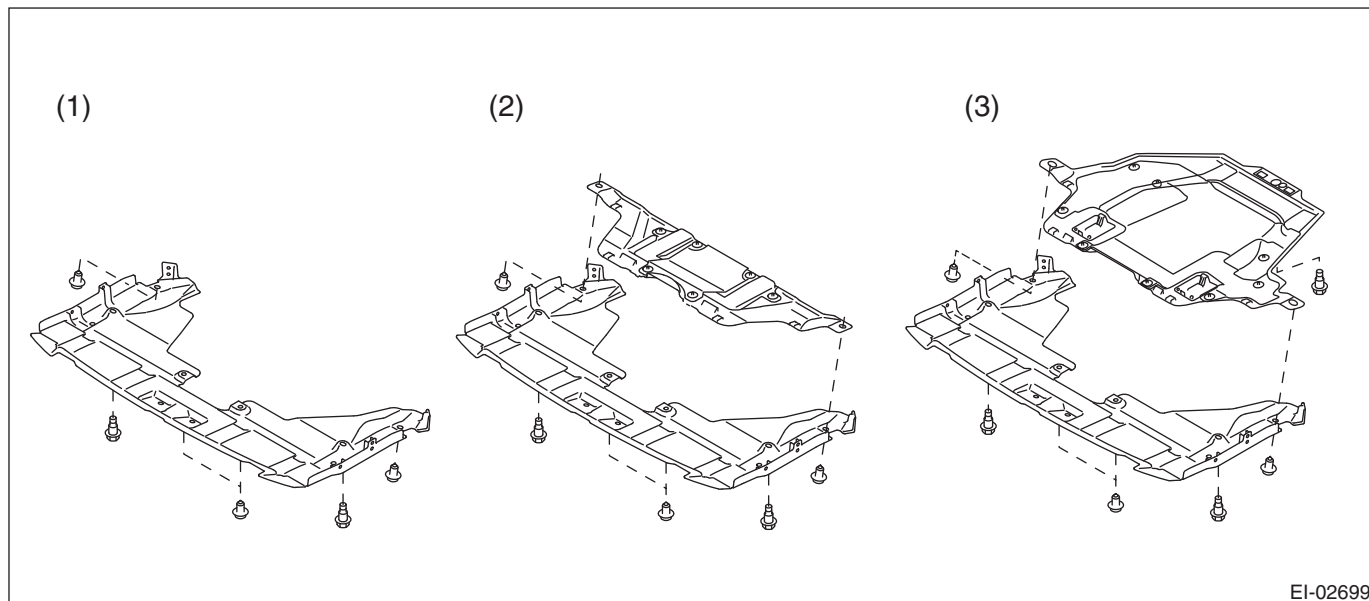


5. Front Under Cover

A: REMOVAL

- 1) Lift up the vehicle.
- 2) Remove the bolts and clips, and remove the front under cover.



EI-02699

(1) Small type

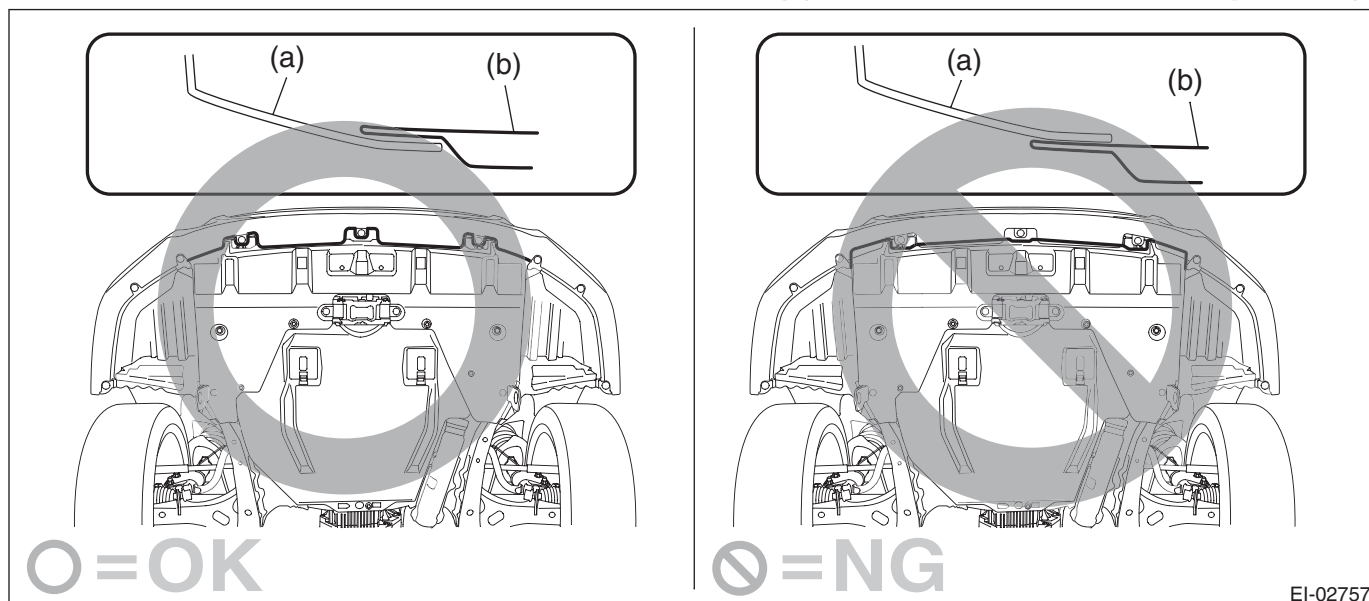
(2) Medium type

(3) Large type

B: INSTALLATION

CAUTION:

Install the under cover so that the under cover front end (b) comes inside of the front bumper face (a).



EI-02757

Install each part in the reverse order of removal.

Tightening torque:

17.5 N·m (1.78 kgf·m, 12.9 ft·lb)