

# Floor Under Protector

EXTERIOR/INTERIOR TRIM

## 6. Floor Under Protector

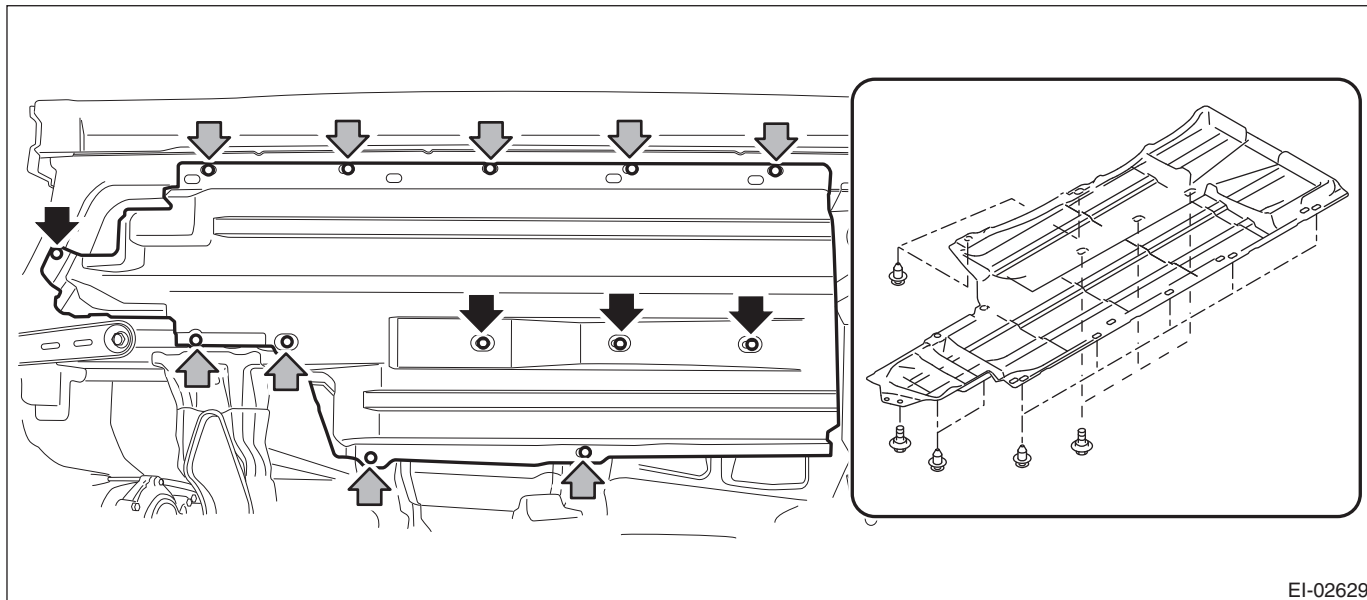
### A: REMOVAL

1) Lift up the vehicle.

NOTE:

A plate type lift cannot be used.

2) Remove the bolts and clips, and remove the front under protector.



EI-02629

### B: INSTALLATION

Install each part in the reverse order of removal.

**Tightening torque:**

**Refer to "COMPONENT" of "General Description". <Ref. to EI-2, FLOOR UNDER PROTECTOR, COMPONENT, General Description.>**