

# General Description

## EXTERIOR BODY PANELS

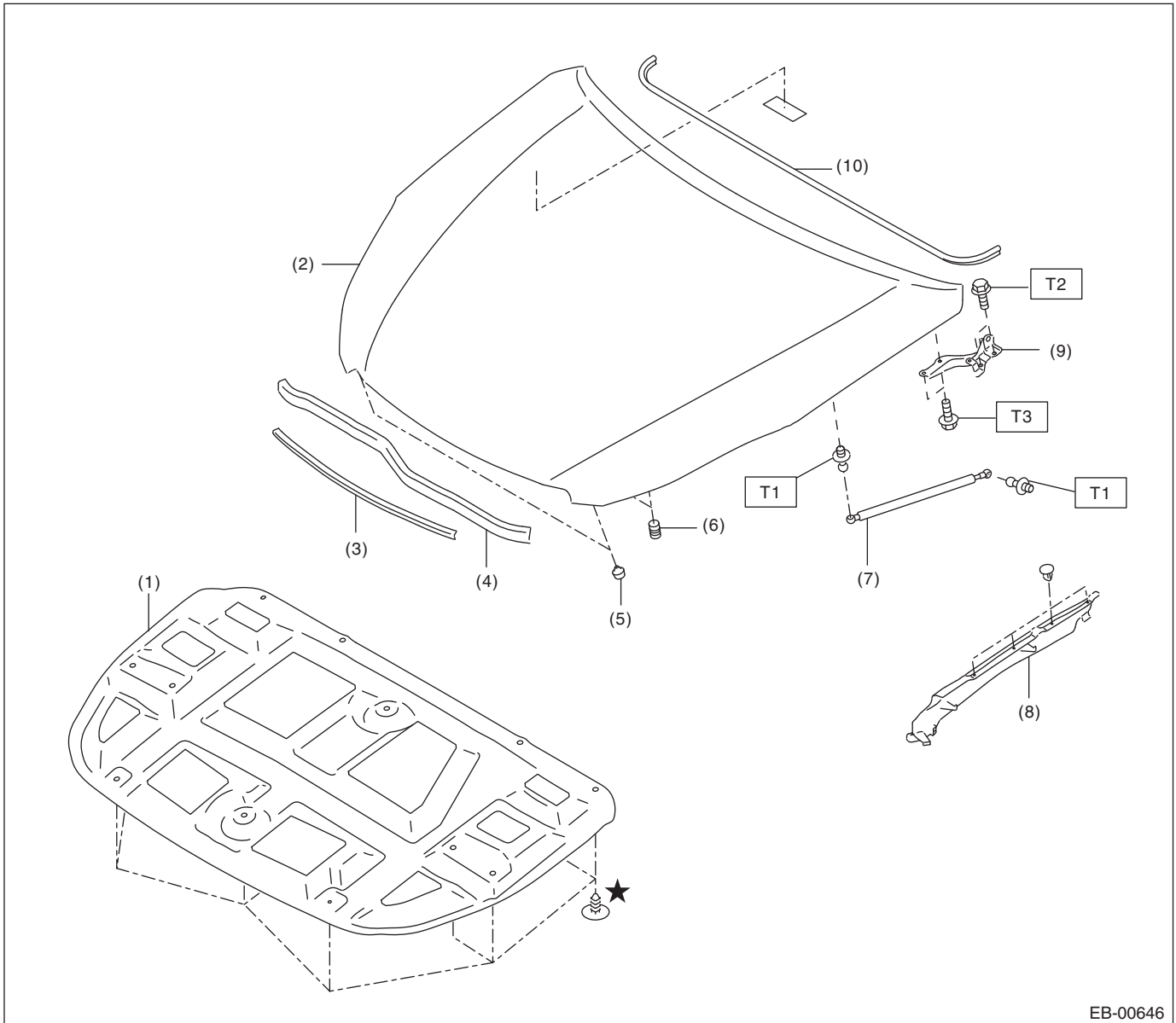
### 1. General Description

#### A: SPECIFICATION

Refer to Body Repair Manual for the dimensions of the body.

#### B: COMPONENT

##### 1. FRONT HOOD



EB-00646

- |                            |                           |
|----------------------------|---------------------------|
| (1) Insulator              | (6) Buffer (hood side)    |
| (2) Front hood panel ASSY  | (7) Damper stay ASSY      |
| (3) Front grille seal ASSY | (8) Fender cover ASSY UPR |
| (4) Front hood seal ASSY   | (9) Hinge                 |
| (5) Front hood stopper     | (10) Cowl panel seal      |

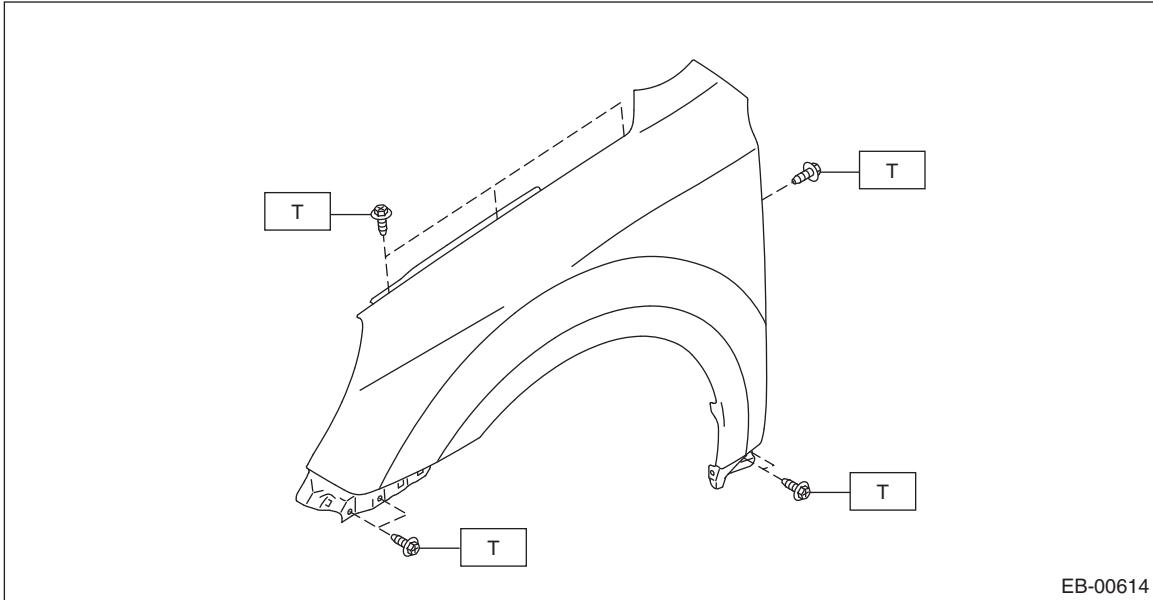
**Tightening torque: N·m (kgf-m, ft-lb)**

**T1: 20 (2.04, 14.8)**

**T2: 25 (2.55, 18.4)**

**T3: 37 (3.77, 27.3)**

## 2. FRONT FENDER



EB-00614

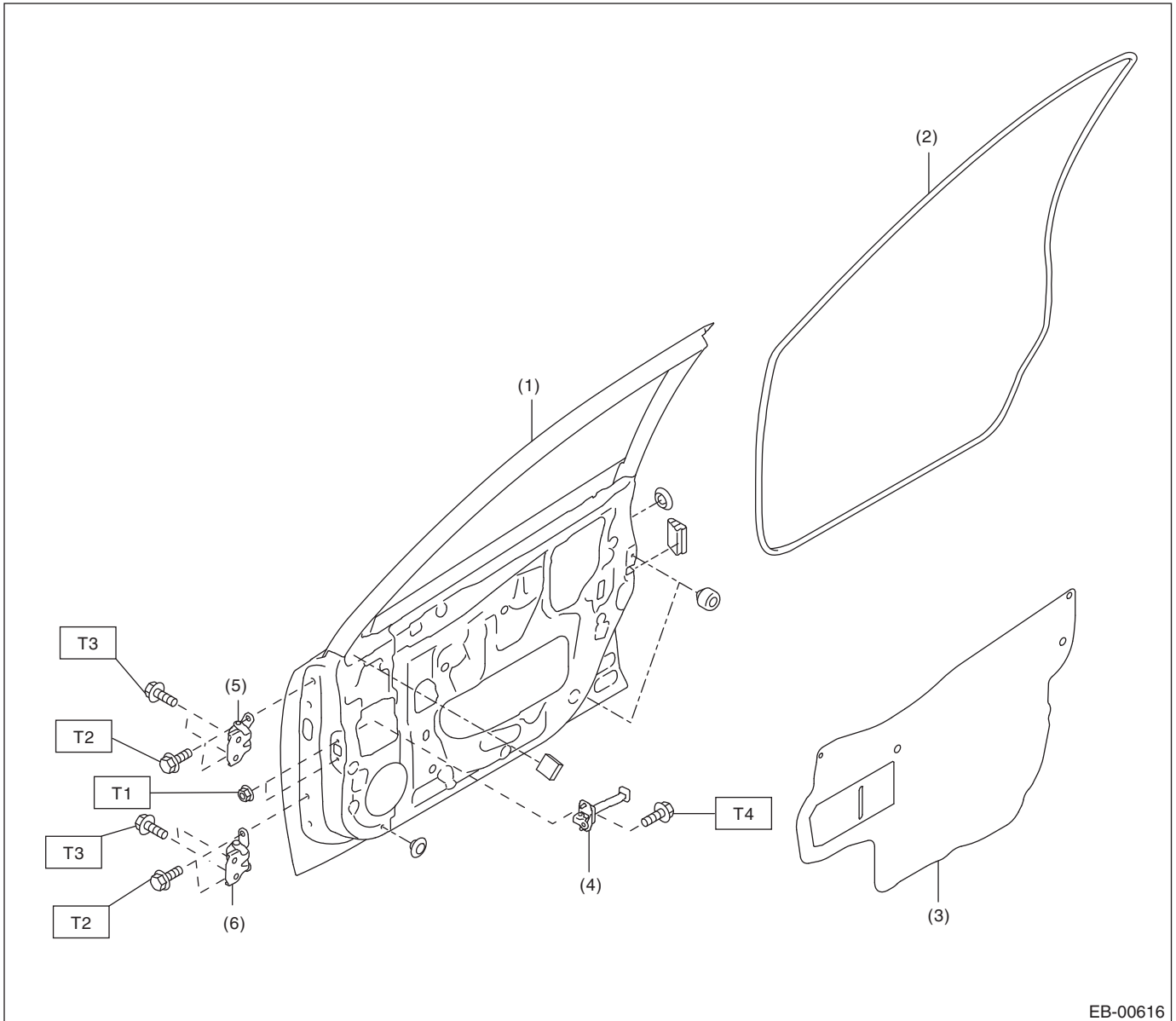
**Tightening torque: N·m (kgf·m, ft·lb)**

**T: 7.5 (0.76, 5.5)**

# General Description

## EXTERIOR BODY PANELS

### 3. FRONT DOOR



EB-00616

- (1) Front door panel
- (2) Front door weather strip
- (3) Sealing cover
- (4) Checker
- (5) Upper hinge
- (6) Lower hinge

**Tightening torque: N·m (kgf·m, ft·lb)**

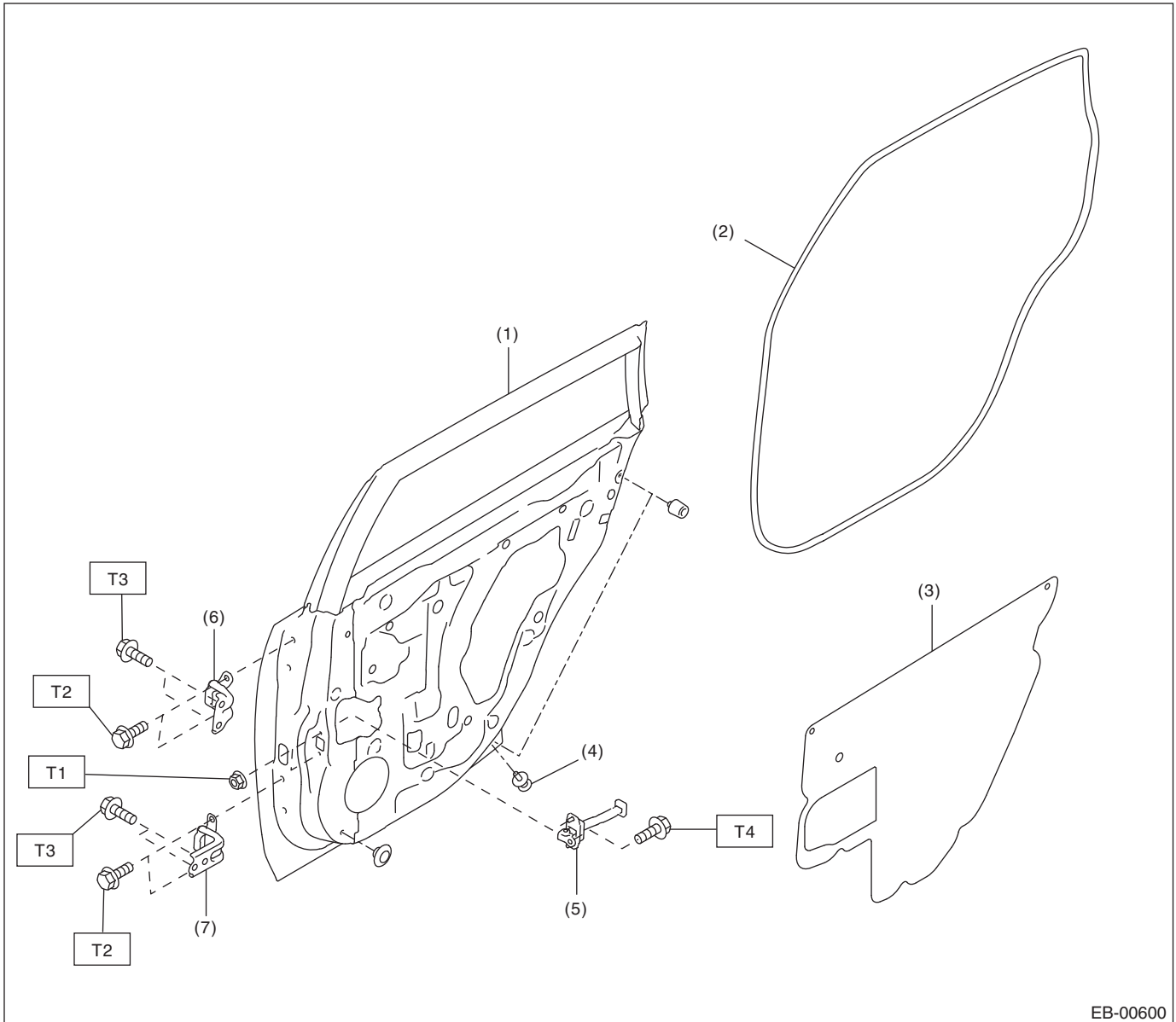
**T1: 7.5 (0.76, 5.5)**

**T2: 25 (2.55, 18.4)**

**T3: 30 (3.06, 22.1)**

**T4: 33 (3.36, 24.3)**

## 4. REAR DOOR



- |                             |                 |
|-----------------------------|-----------------|
| (1) Rear door panel         | (6) Upper hinge |
| (2) Rear door weather strip | (7) Lower hinge |
| (3) Sealing cover           |                 |
| (4) Rear door catcher       |                 |
| (5) Checker                 |                 |

**Tightening torque: N·m (kgf·m, ft·lb)**

**T1: 7.5 (0.76, 5.5)**

**T2: 25 (2.55, 18.4)**

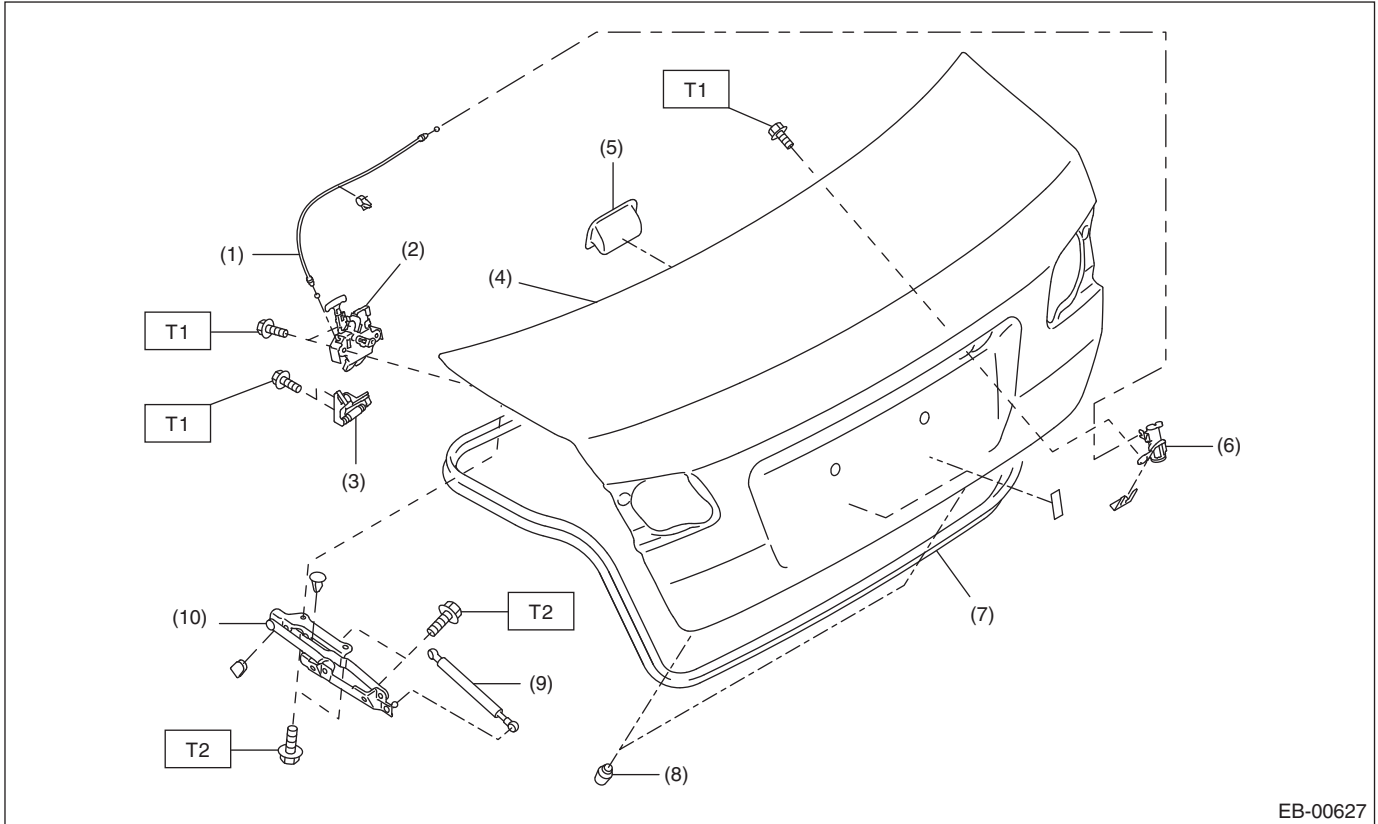
**T3: 30 (3.06, 22.1)**

**T4: 33 (3.36, 24.3)**

# General Description

## EXTERIOR BODY PANELS

### 5. TRUNK LID PANEL



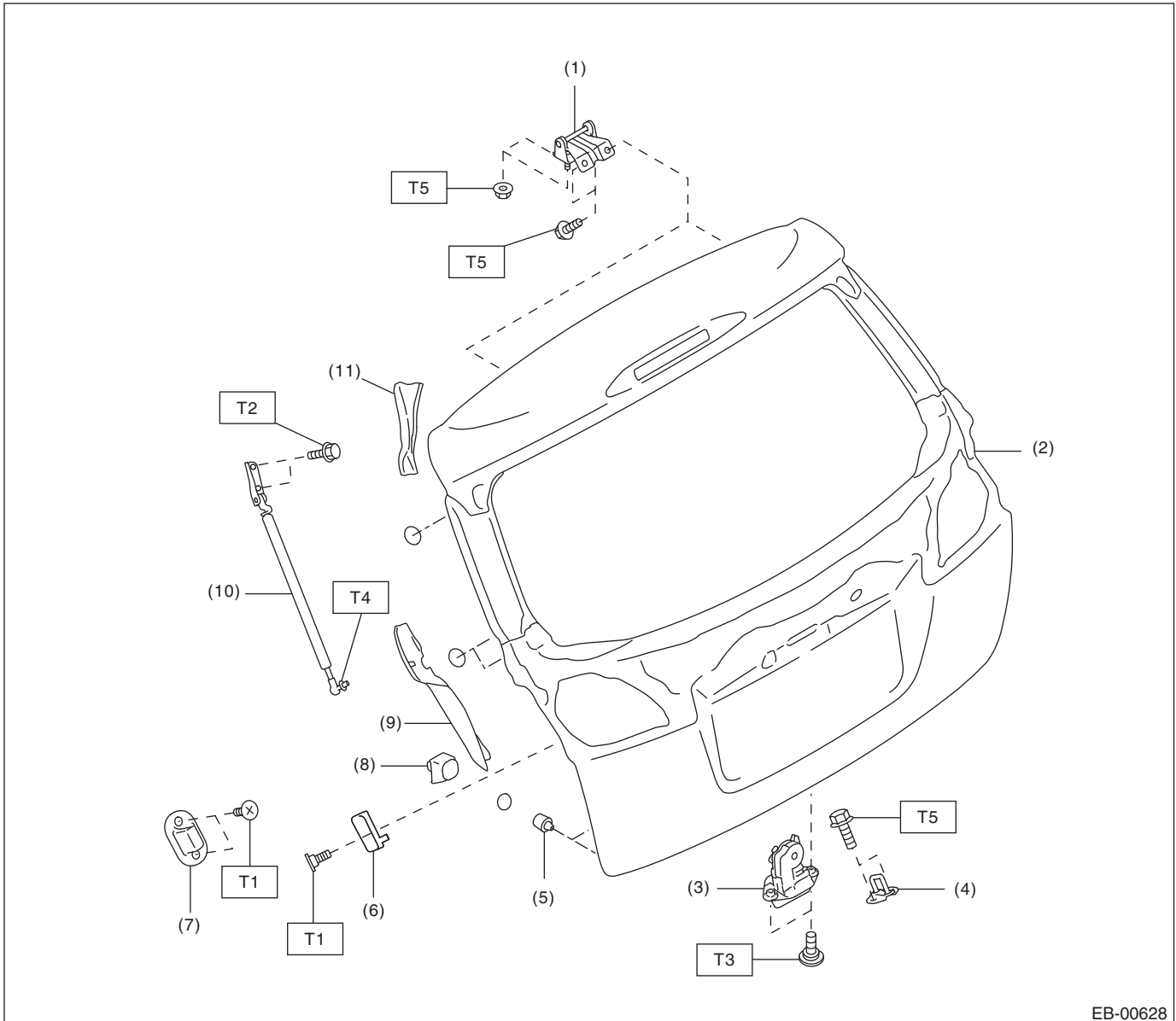
- |                                     |                                 |
|-------------------------------------|---------------------------------|
| (1) Trunk release cable ASSY        | (6) Trunk lid key cylinder ASSY |
| (2) Trunk lid latch & actuator ASSY | (7) Weather strip               |
| (3) Striker                         | (8) Trunk lid stopper           |
| (4) Trunk lid panel ASSY            | (9) Trunk lid damper stay       |
| (5) Trunk lid inner handle          | (10) Trunk lid hinge ASSY       |

**Tightening torque: N·m (kgf·m, ft·lb)**

**T1: 7.5 (0.76, 5.5)**

**T2: 37 (3.77, 27.3)**

## 6. REAR GATE



EB-00628

- |                                     |  |
|-------------------------------------|--|
| (1) Hinge                           | (7) Buffer (body side)                     |
| (2) Rear gate panel                 | (8) Rear gate spacer (mounted to the body) |
| (3) Rear gate latch & actuator ASSY | (9) Rear gate cover                        |
| (4) Striker                         | (10) Rear gate damper stay                 |
| (5) Stopper rubber                  | (11) Rear gate drip rubber                 |
| (6) Buffer (rear gate side)         |  |

**Tightening torque: N·m (kgf-m, ft-lb)**

**T1: 7.5 (0.76, 5.5)**

**T2: 16 (1.63, 11.8)**

**T3: 18 (1.84, 13.3)**

**T4: 20 (2.04, 14.8)**

**T5: 25 (2.55, 18.4)**

### C: CAUTION

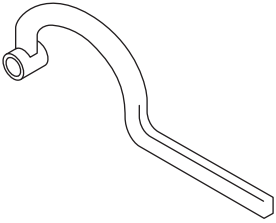
Exterior body panels are heavy. When removing and installing them, do not drop and damage the panels. Also, be careful not to scratch the coated surfaces of the panels.

# General Description

EXTERIOR BODY PANELS

## D: PREPARATION TOOL

### 1. SPECIAL TOOL

ILLUSTRATION	TOOL NUMBER	DESCRIPTION	REMARKS
 <p>ST-925610000</p>	925610000	WRENCH	Used for removing and installing door hinge.

### 2. GENERAL TOOL

TOOL NAME	REMARKS
Support jack	Used for supporting door panel.
Clip remover	Used for removing various types of clips