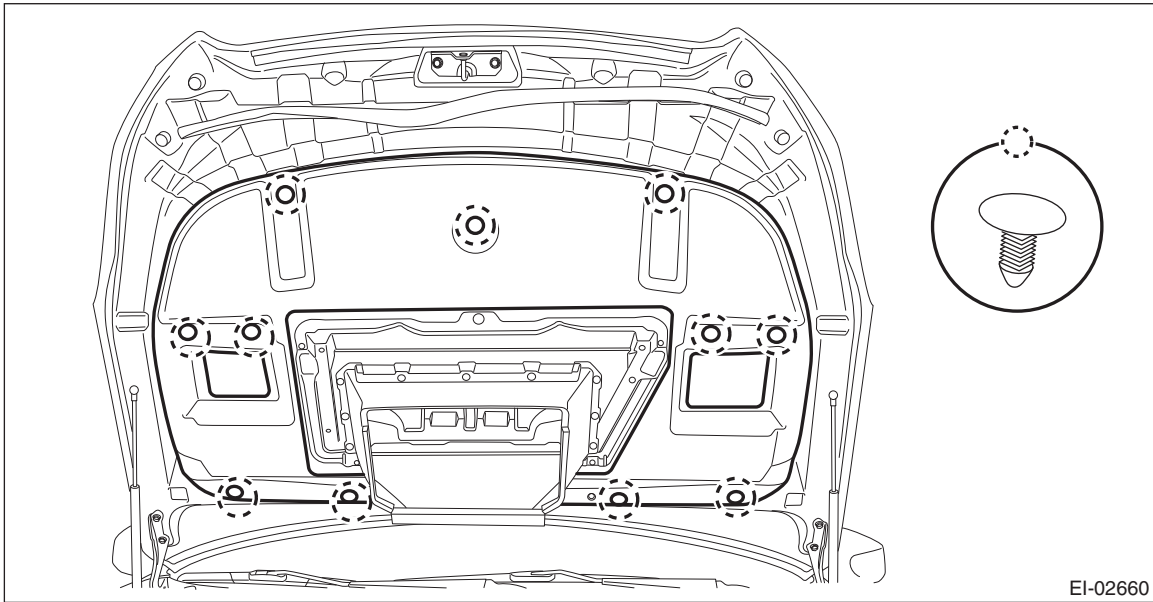


## 2. Front Hood

### A: REMOVAL

#### 1. FRONT HOOD INSULATOR

Release the clips to remove the front hood insulator.

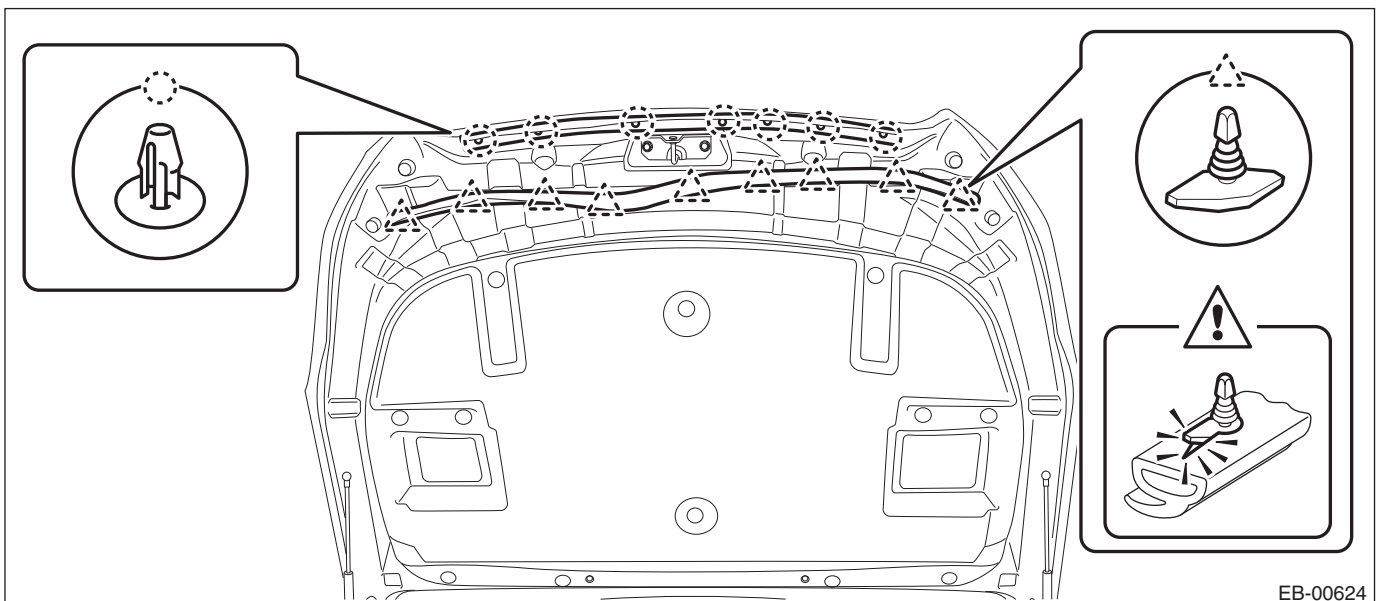


#### 2. FRONT HOOD SEAL

Remove the clip, and remove the seal.

**CAUTION:**

If the weather strip clip is removed with excessive force, the seal may be damaged. Be sure to use clip remover, etc. to remove.



# Front Hood

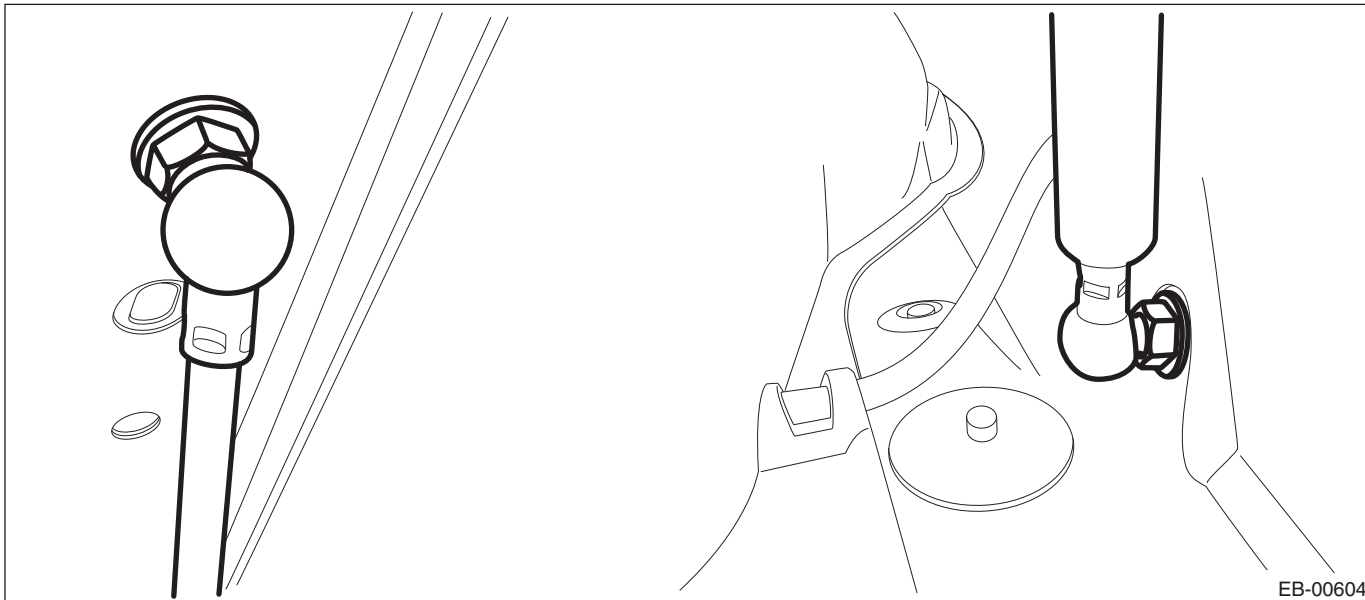
## EXTERIOR BODY PANELS

### 3. FRONT HOOD DAMPER

#### CAUTION:

- Do not damage piston rods and oil seals.
- Never disassemble cylinders: They contain gas.
- Front hood panels are heavy. When removing and installing the damper stays and hood hinges, always work in a team of two or more persons.

Remove the damper stay by removing mounting bolts.

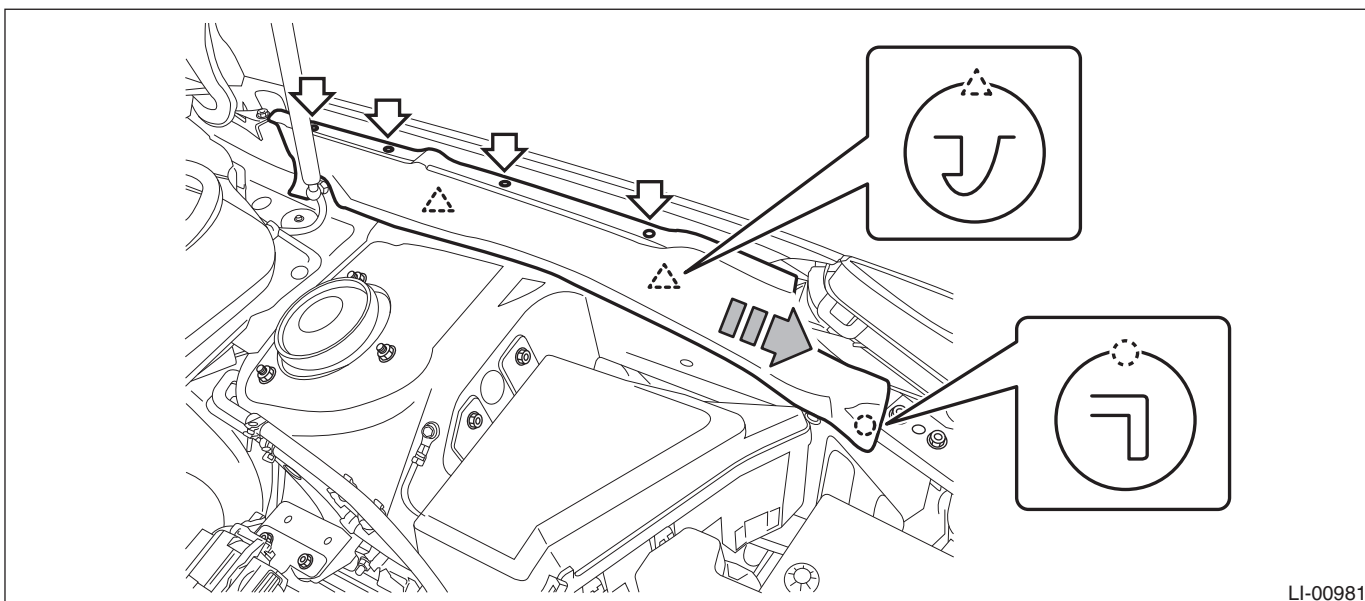


### 4. FRONT HOOD HINGE

#### CAUTION:

Front hood panels are heavy. When removing and installing the damper stays and hood hinges, always work in a team of two or more persons.

- 1) Remove the fender cover assembly UPR.
  - (1) Remove the clip.
  - (2) Release the claws of the fender cover assembly UPR by pulling it forward and remove the fender cover.

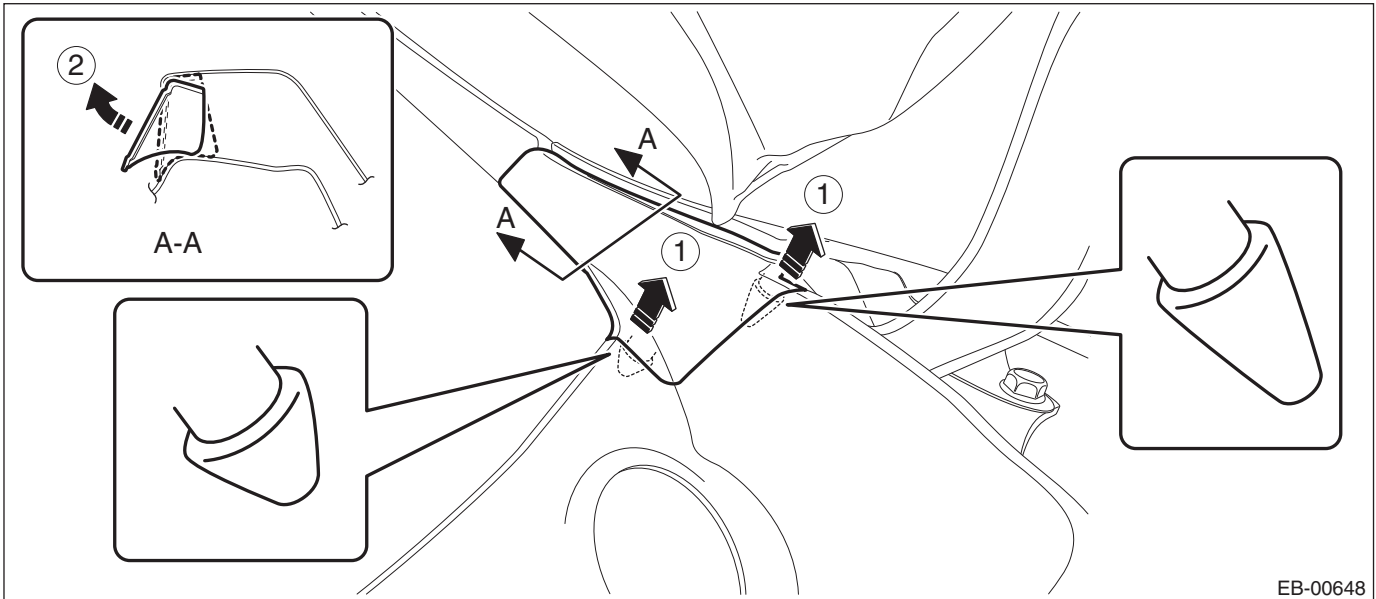


- 2) Remove the cowl panel side.
  - (1) Detach the pins of the cowl panel side.

- (2) Remove the cowl panel side from inside the fender panel by pulling it.

**CAUTION:**

Applying excessive pulling force may damage the cowl panel side. If it is difficult to remove, use a plastic remover or equivalent tool.

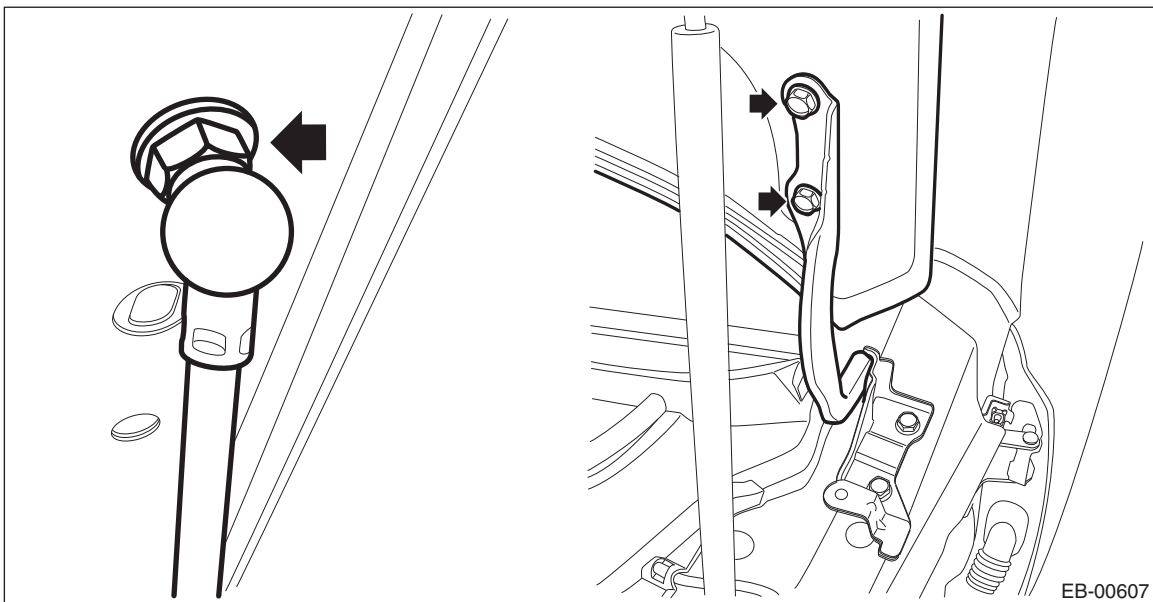


- 3) Remove the front fender panel. <Ref. to EB-16, REMOVAL, Front Fender.>

- 4) Remove the front hood panel.

- (1) Remove the damper stay mounting bolt on the hood panel side.

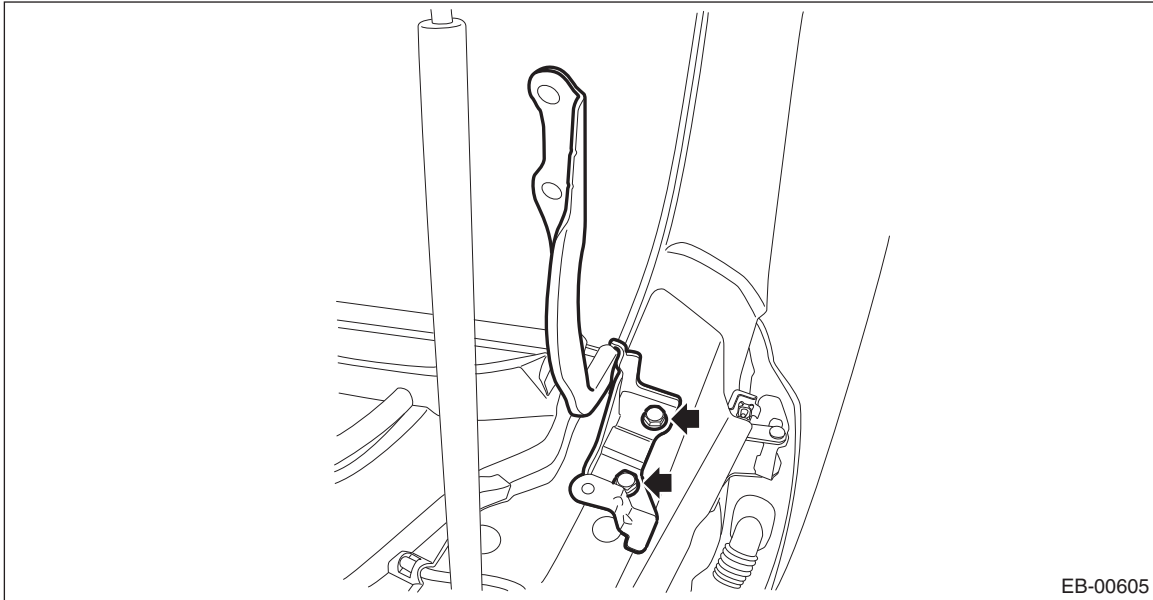
- (2) Remove the bolts on the hood panel, and remove the front hood panel.



# Front Hood

## EXTERIOR BODY PANELS

5) Remove the bolts, and remove the front hood hinge.

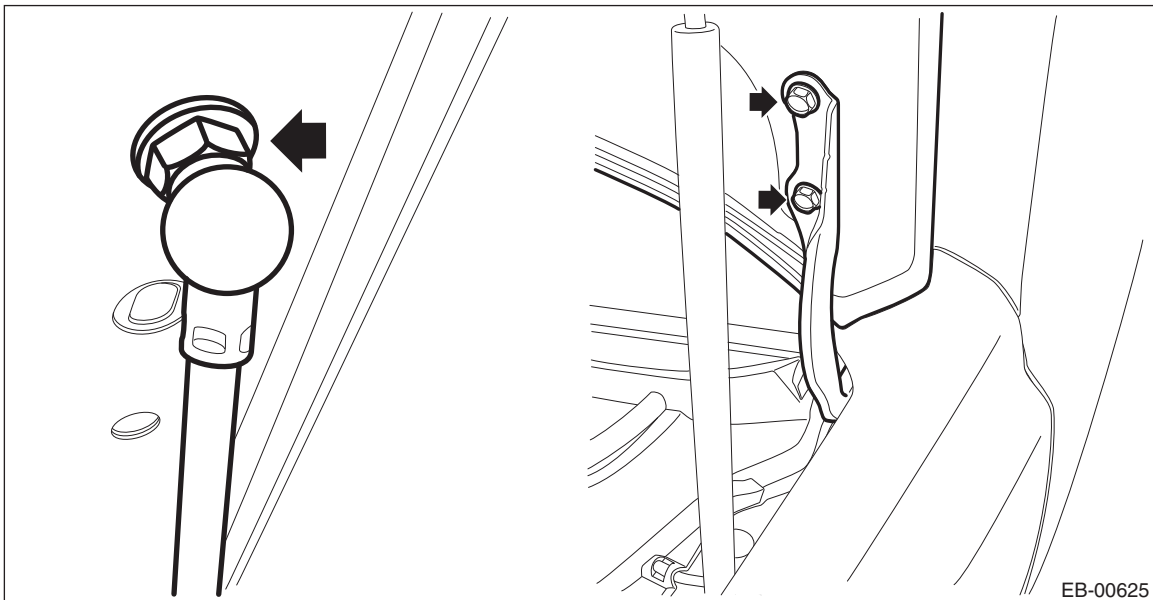


## 5. FRONT HOOD PANEL

### CAUTION:

**Front hood panels are heavy. When removing and installing the damper stays and hood hinges, always work in a team of two or more persons.**

- 1) Remove the damper stay mounting bolt on the hood panel side.
- 2) Remove the bolts on the hood panel, and remove the front hood panel.



## B: INSTALLATION

### CAUTION:

Front hood panels are heavy. When removing and installing the damper stays and hood hinges, always work in a team of two or more persons.

To install the front hood insulator, front hood seal, and front hood damper, follow the reverse order of removal.

To install the front hood hinges and front hood panel, follow the procedure below.

- 1) Install the front hood hinges to the vehicle body. (When front hood hinges are removed)
- 2) Temporarily install the front hood panel to the front hood hinges.

### NOTE:

When installing the front hood panel, make sure that a uniform clearance is created around the panel.

3) Adjust the clearance around the front hood panel. <Ref. to EB-13, ADJUSTMENT, Front Hood.>

4) Tighten the front hood hinge bolts.

### Tightening torque:

**37 N·m (3.77 kgf·m, 27.3 ft·lb)**

5) Install each part of the front hood in the reverse order of removal.

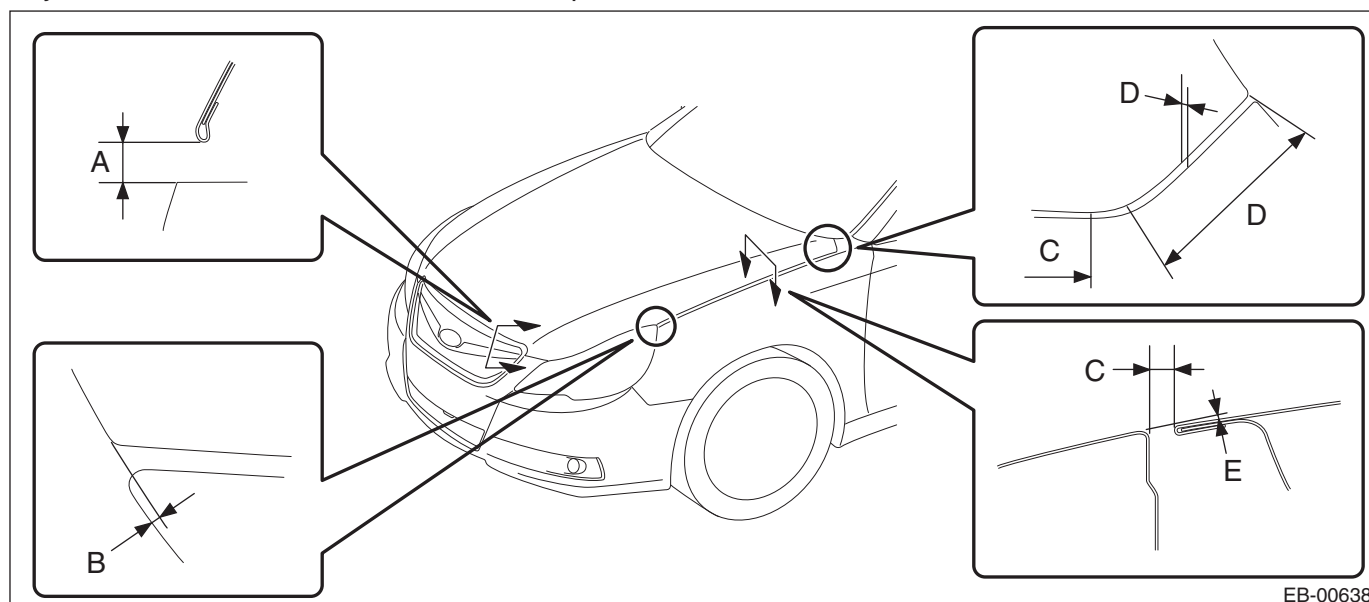
### Tightening torque:

**Front hood damper: 20 N·m (2.04 kgf·m, 14.8 ft·lb)**

**Front hood duct: 4.5 N·m (0.46 kgf·m, 3.3 ft·lb)**

## C: ADJUSTMENT

Adjust the clearance around the front hood panel as follows.



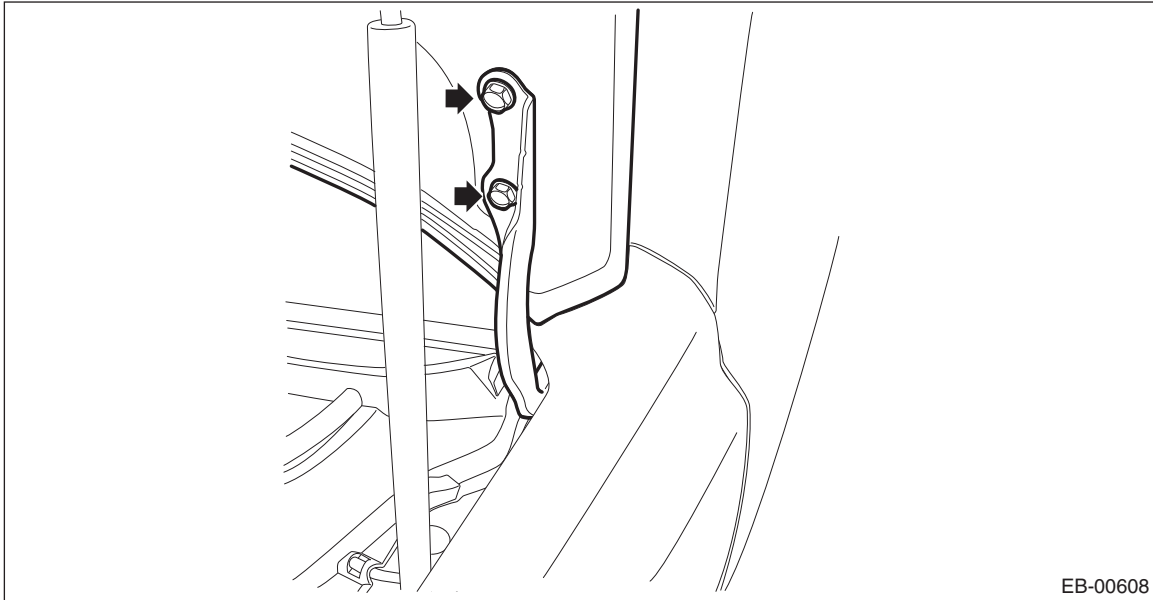
| Part |   | Standard                               |
|------|---|--|
| A    | Front hood panel to front bumper  | 6.0±1.0 mm (0.24±0.04 in)              |
| B    | Offset value between front hood panel and front fender panel tip                      | 0+0.5, -1.0 mm (0+0.02, -0.04 in)      |
| C    | Front hood panel to Front fender panel (from front end to just before curved portion) | 3.5±1.0 mm (0.14±0.04 in)              |
| D    | Front hood panel to Front fender panel (from rear end to just before curved portion)  | 4.1±1.0 mm (0.16±0.04 in)              |
| E    | Surface level gap between front hood panel and front fender panel                     | 0.5+0.5, -1.0 mm (0.02+0.02, -0.04 in) |

- 1) Adjust the horizontal position of front hood.

# Front Hood

## EXTERIOR BODY PANELS

- (1) Loosen the left and right hinge attaching bolts.



EB-00608

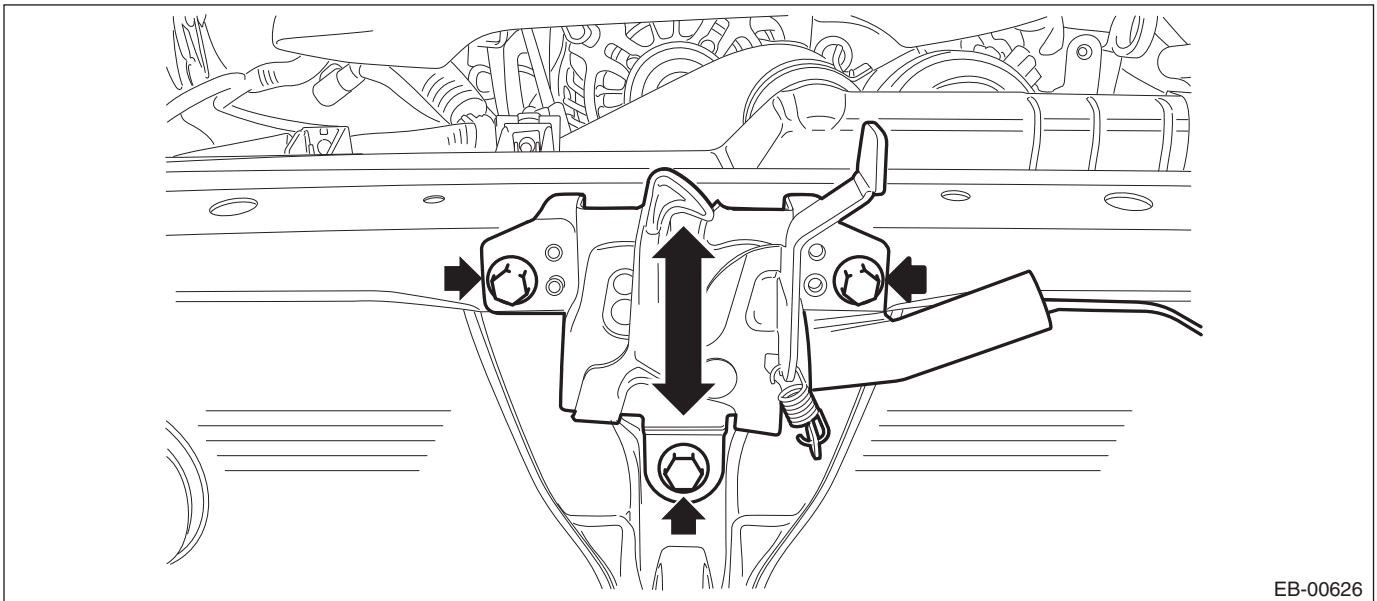
- (2) Adjust the horizontal panel gap of the front hood and tighten the hinge attaching bolts.

### **Tightening torque:**

**37 N·m (3.77 kgf·m, 27.3 ft·lb)**

- 2) Adjust the height at the front end of hood.

- (1) Loosen the bolts of the front hood lock assembly.
- (2) Adjust the front hood lock assembly by moving it up and down.

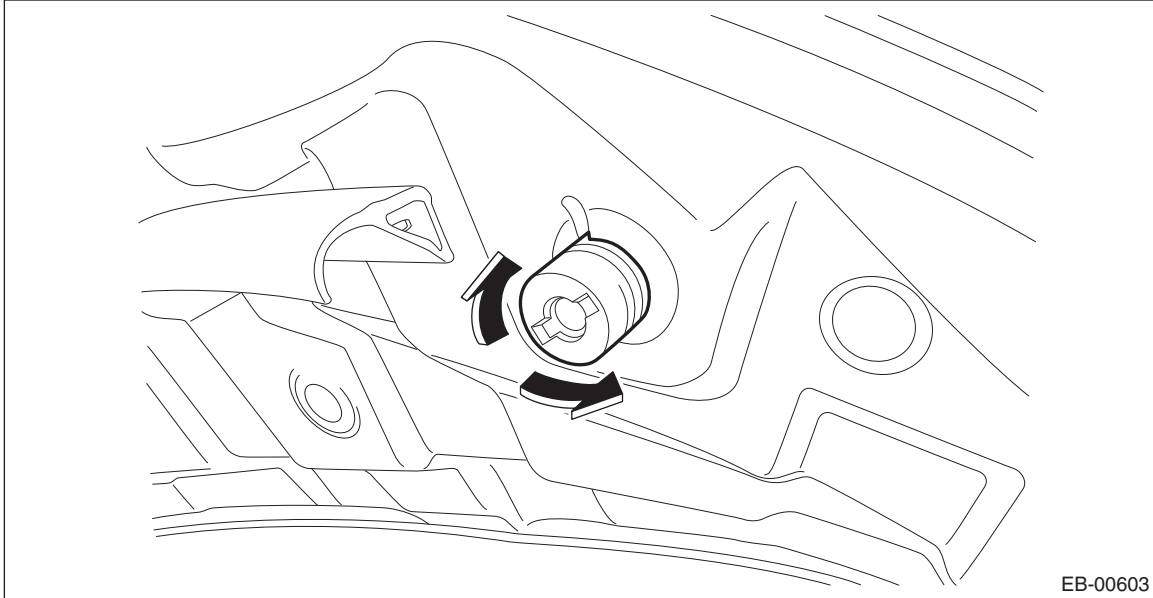


EB-00626

### **Tightening torque:**

**33 N·m (3.36 kgf·m, 24.3 ft·lb)**

3) Rotate the hood buffer to adjust lateral height.



## D: DISPOSAL

For how to dispose of the front hood damper stay, refer to the disposal procedure for rear gate damper stay.  
<Ref. to EB-53, REAR GATE DAMPER STAY, DISPOSAL, Rear Gate.>