

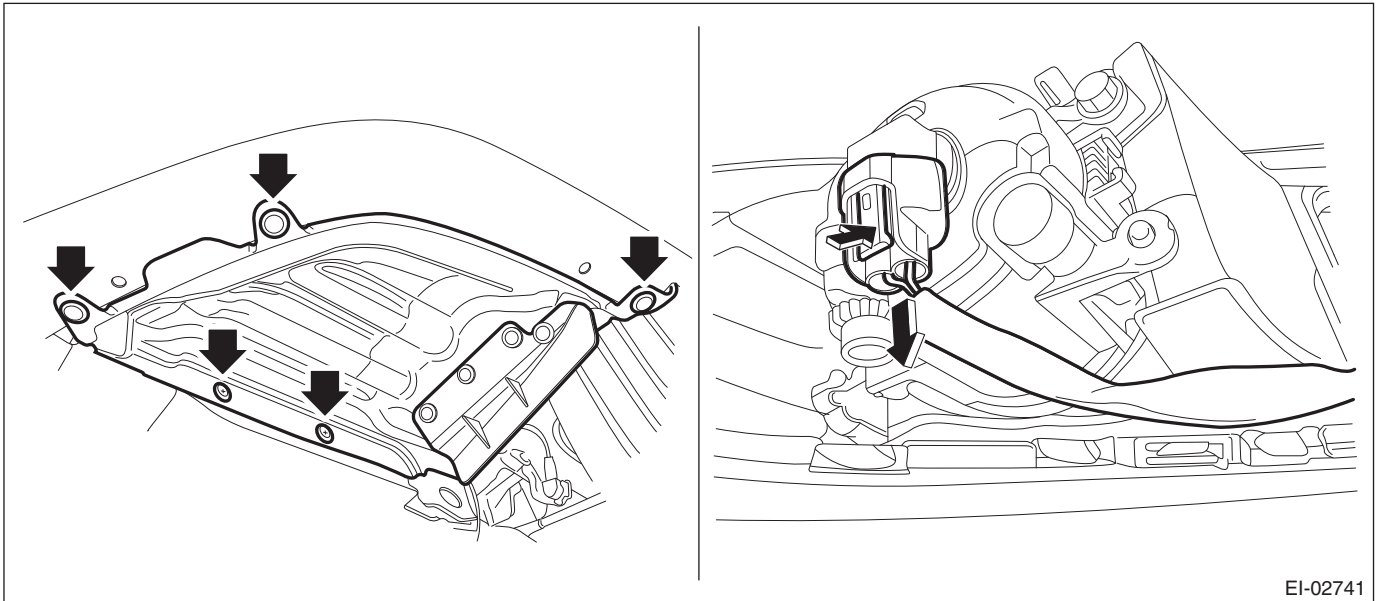
Front Fender

EXTERIOR BODY PANELS

3. Front Fender

A: REMOVAL

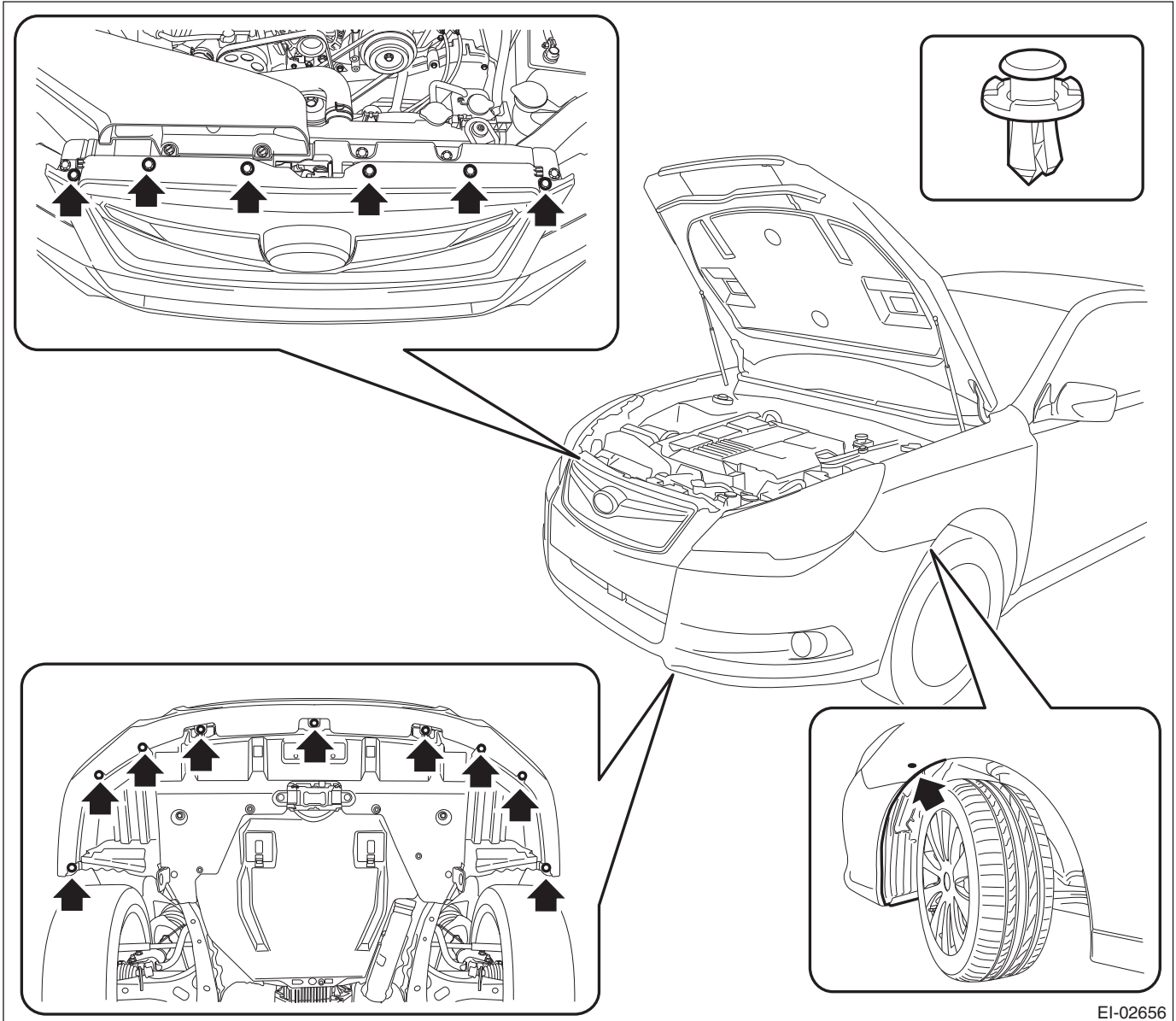
- 1) Disconnect the ground cable from battery.
- 2) Remove the bumper face assembly.
 - (1) Remove the clips, turn over the front mud guard, and disconnect the fog light connector. (Model with fog light)



EI-02741

- (2) Remove the clips at the upper side of the bumper.
- (3) Remove the clips from the fender.

(4) Remove the clips at the lower side of bumper.



EI-02656

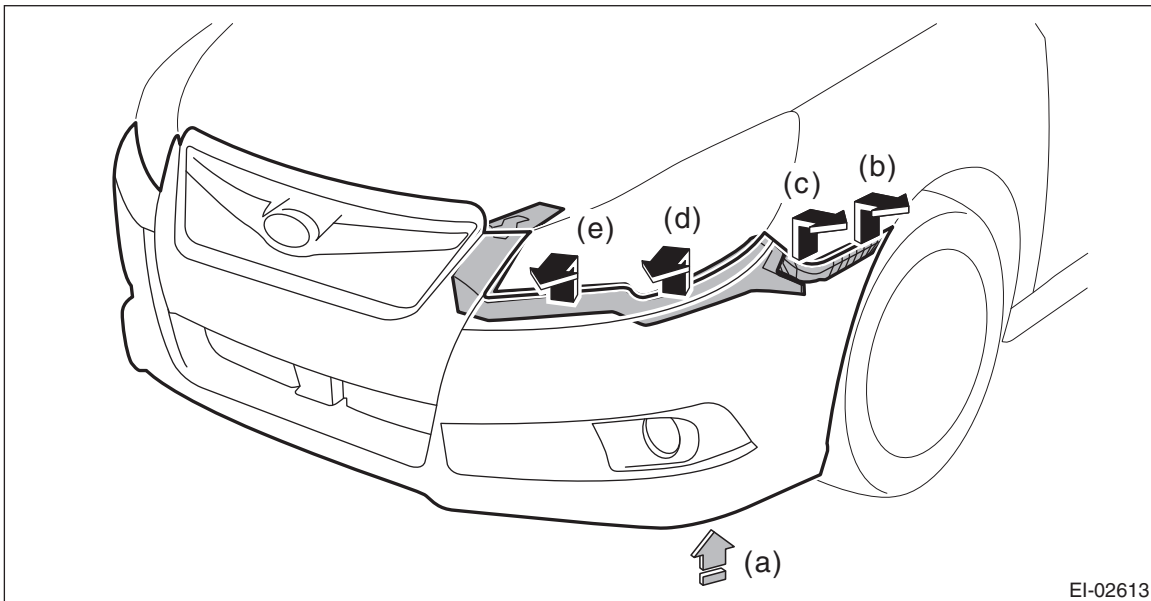
Front Fender

EXTERIOR BODY PANELS

(5) Detach the flange section on the bumper face side from the bracket side front UPR.

CAUTION:

Do not pull forcibly. It may damage the flange sections of the bumper face.



EI-02613

NOTE:

Detach the parts in order from (b) to (e) while pulling up the lower side of the fog light (a). Detach the opposite side in the same manner.

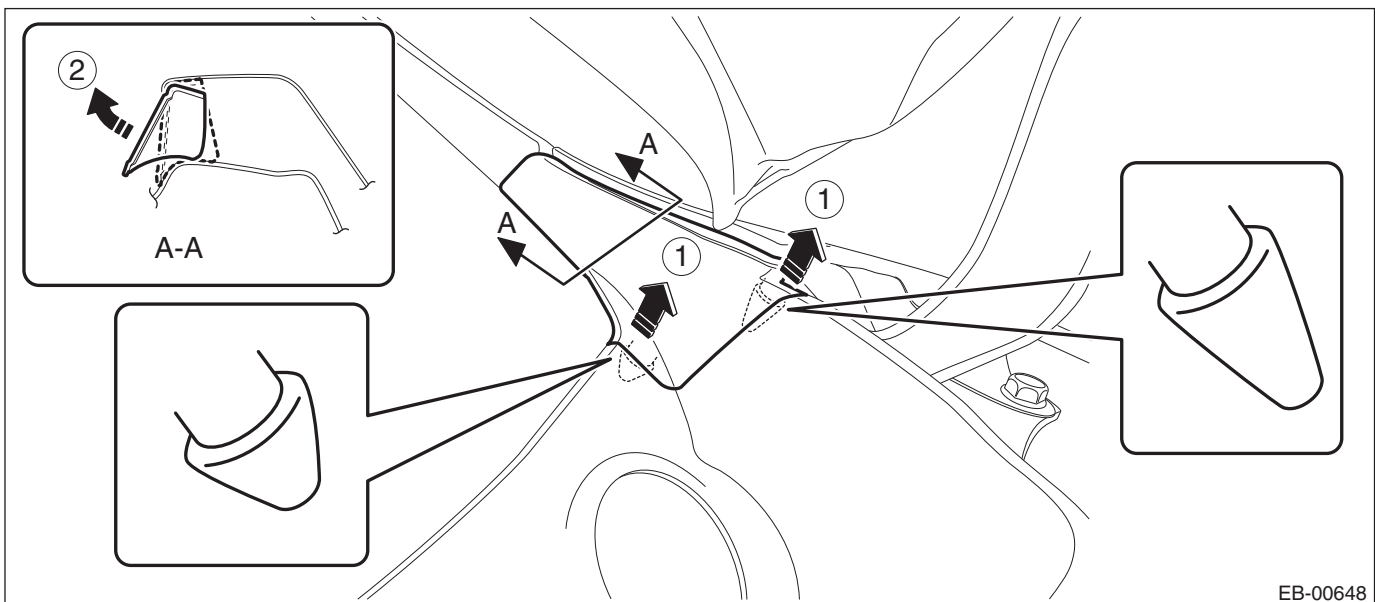
3) Remove the cowl panel side.

(1) Detach the pins of the cowl panel side.

(2) Remove the cowl panel side from inside the fender panel by pulling it.

CAUTION:

Applying excessive pulling force may damage the cowl panel side. If it is difficult to remove, use a plastic remover or equivalent tool.



EB-00648

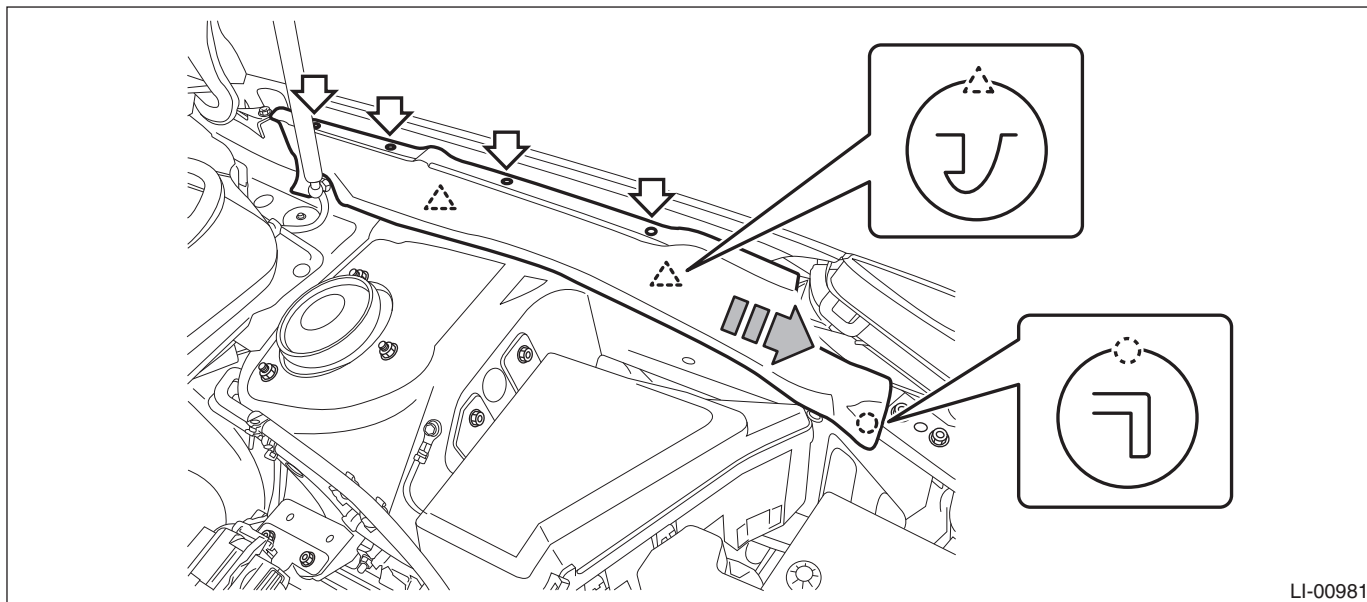
4) Remove the headlight assembly.

(1) Remove the fender cover assembly UPR.

a) Remove the clip.

Front Fender

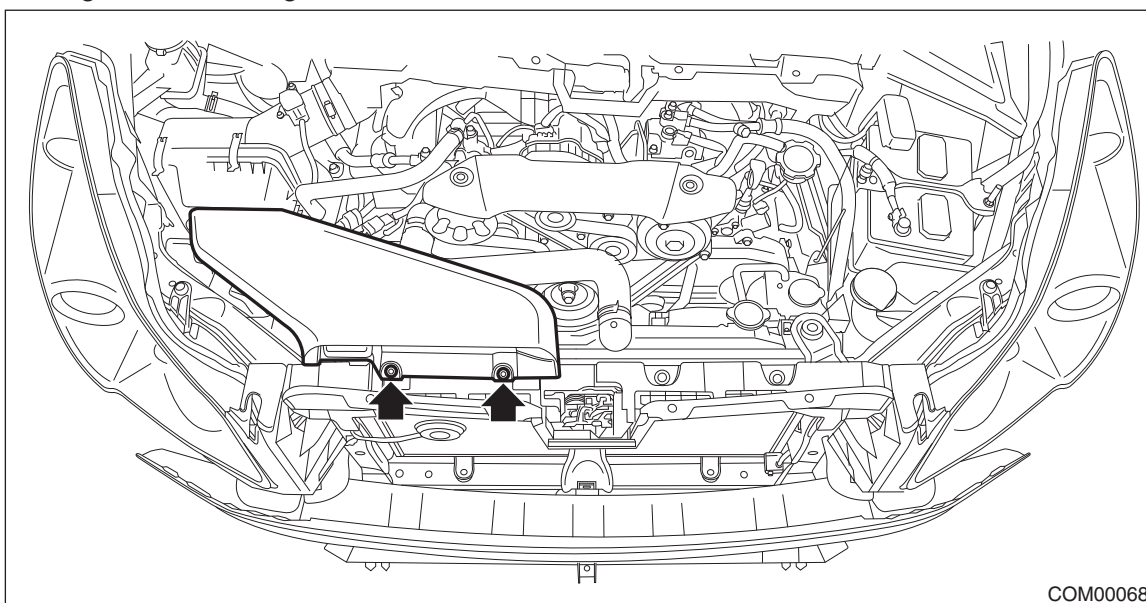
b) Release the claws of the fender cover assembly UPR by pulling it forward and remove the fender cover.



(2) Remove the headlight assembly.

NOTE:

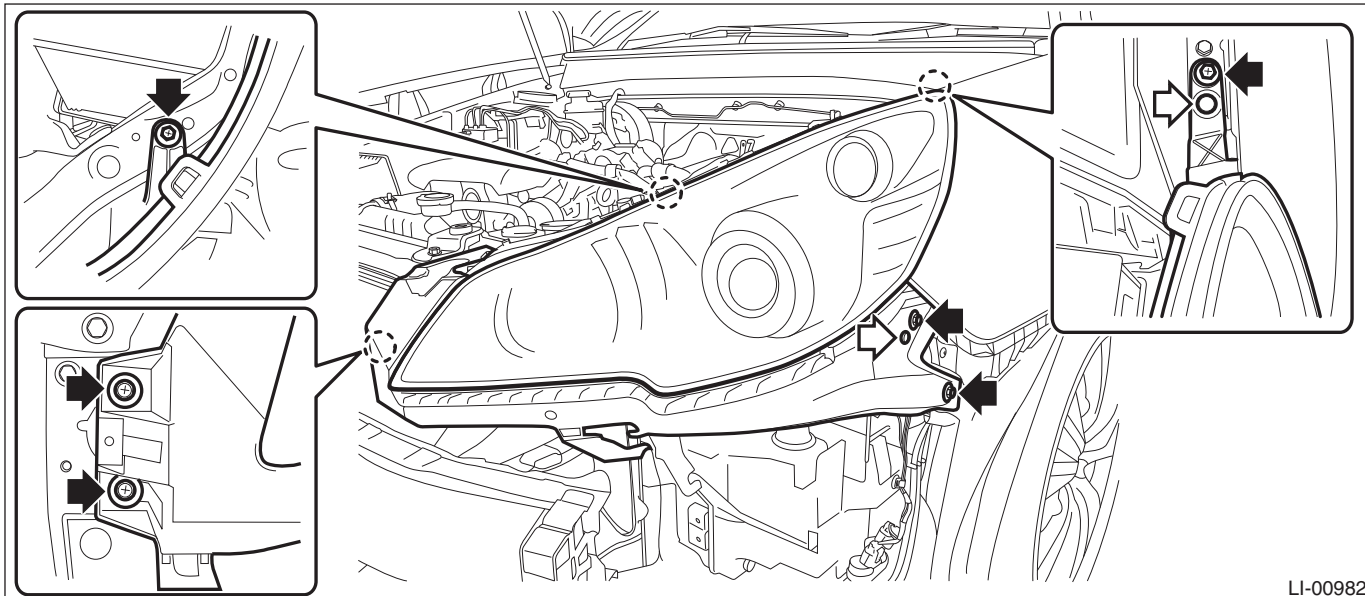
When removing the RH headlight, remove the air intake duct.



Front Fender

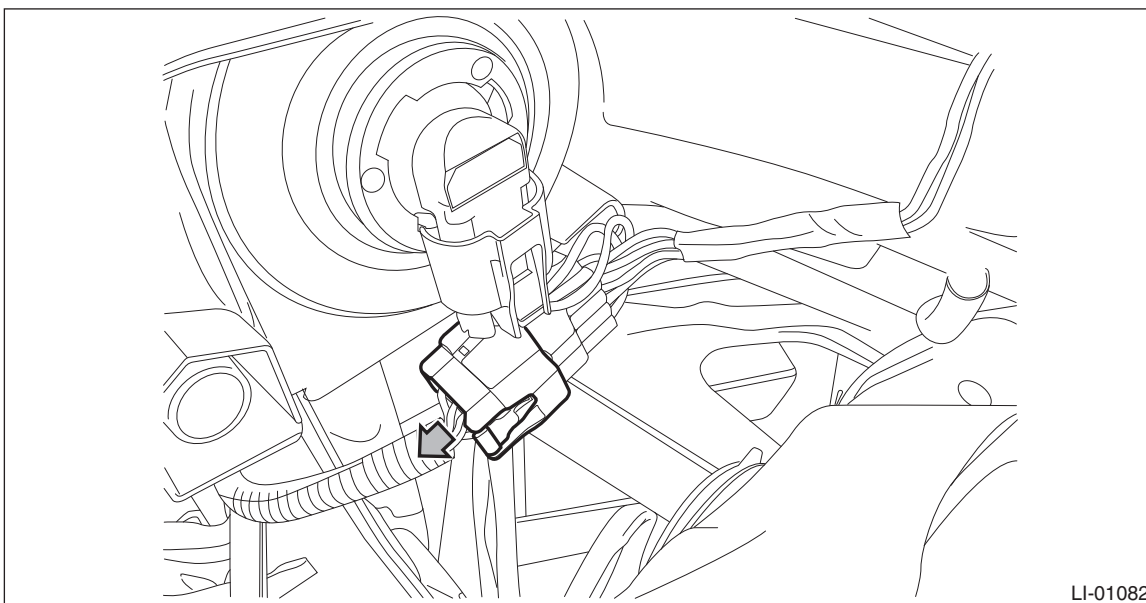
EXTERIOR BODY PANELS

a) Remove the bolts and two clips, and pull out the headlight assembly to the front of the vehicle.

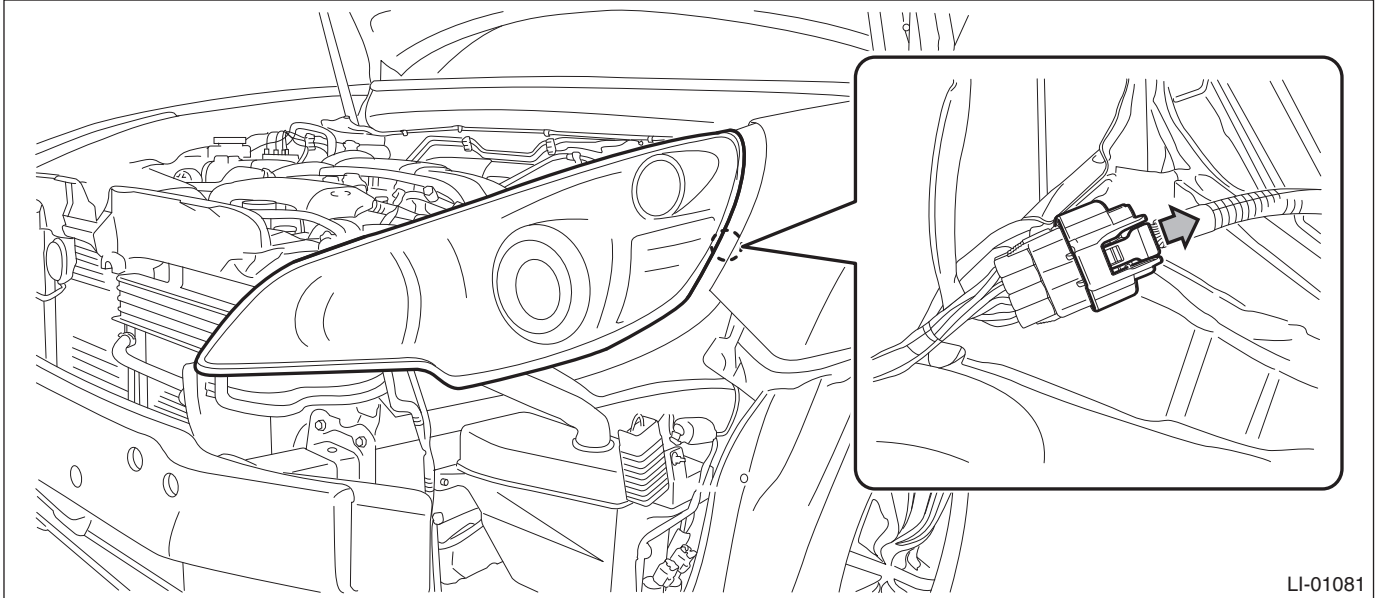


b) Disconnect the connector and remove the headlight assembly.

- Headlight connector RH



- Headlight connector LH

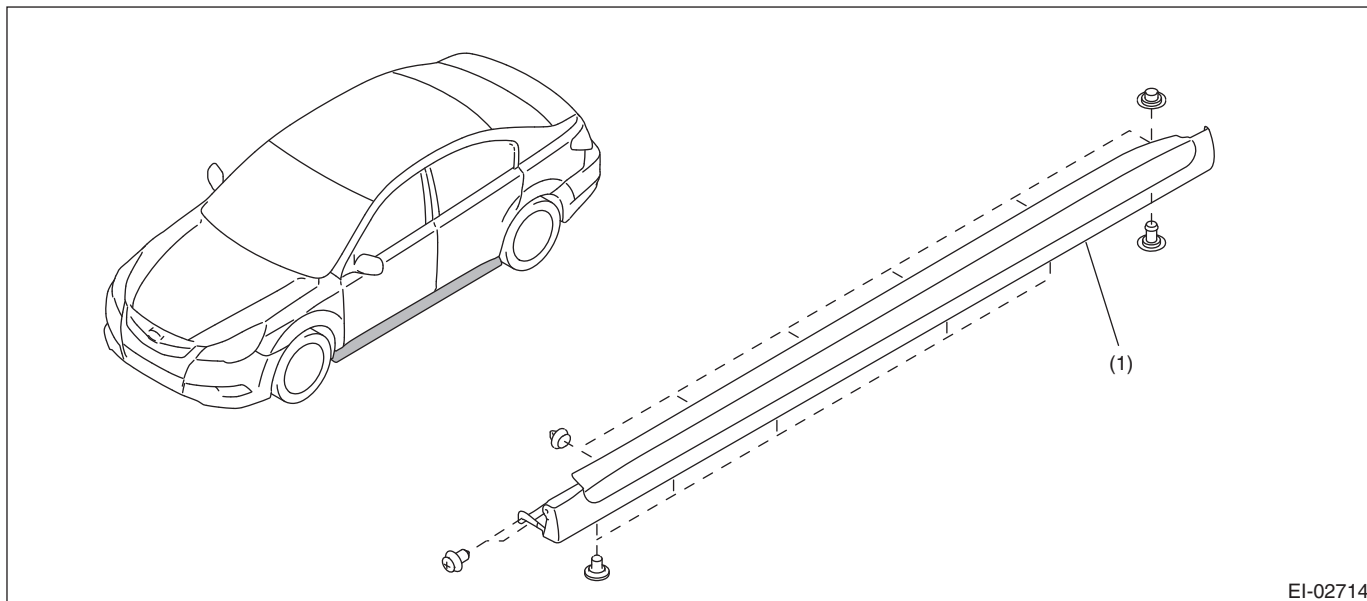


LI-01081

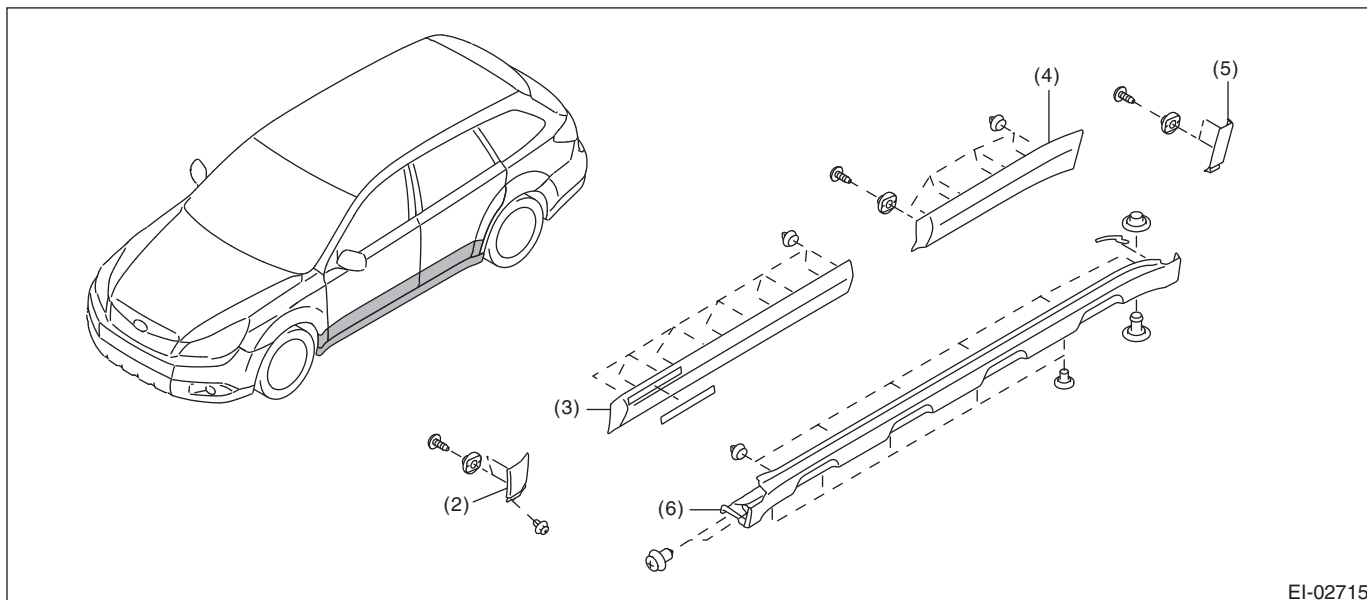
Front Fender

EXTERIOR BODY PANELS

5) Remove the clips, and then remove the side sill garnish.



EI-02714

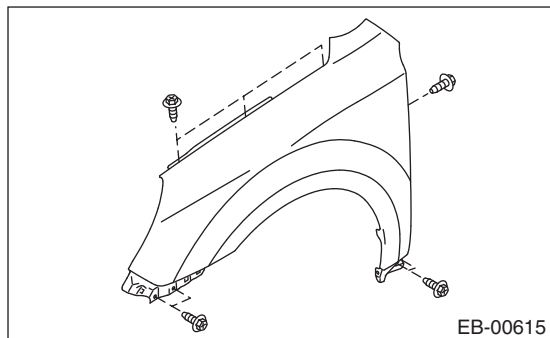


EI-02715

- | | | |
|--|--|--|
| (1) Side sill garnish ASSY (Sedan model) | (3) Garnish ASSY front door (OUT-BACK model) | (5) Garnish ASSY rear quarter (OUT-BACK model) |
| (2) Garnish ASSY front fender (OUT-BACK model) | (4) Garnish ASSY rear door (OUT-BACK model) | (6) Side sill garnish ASSY (OUT-BACK model) |

6) Remove the front fender panel.
(1) Remove the mud guard clips.

(2) Remove the bolt, and remove the front fender panel.

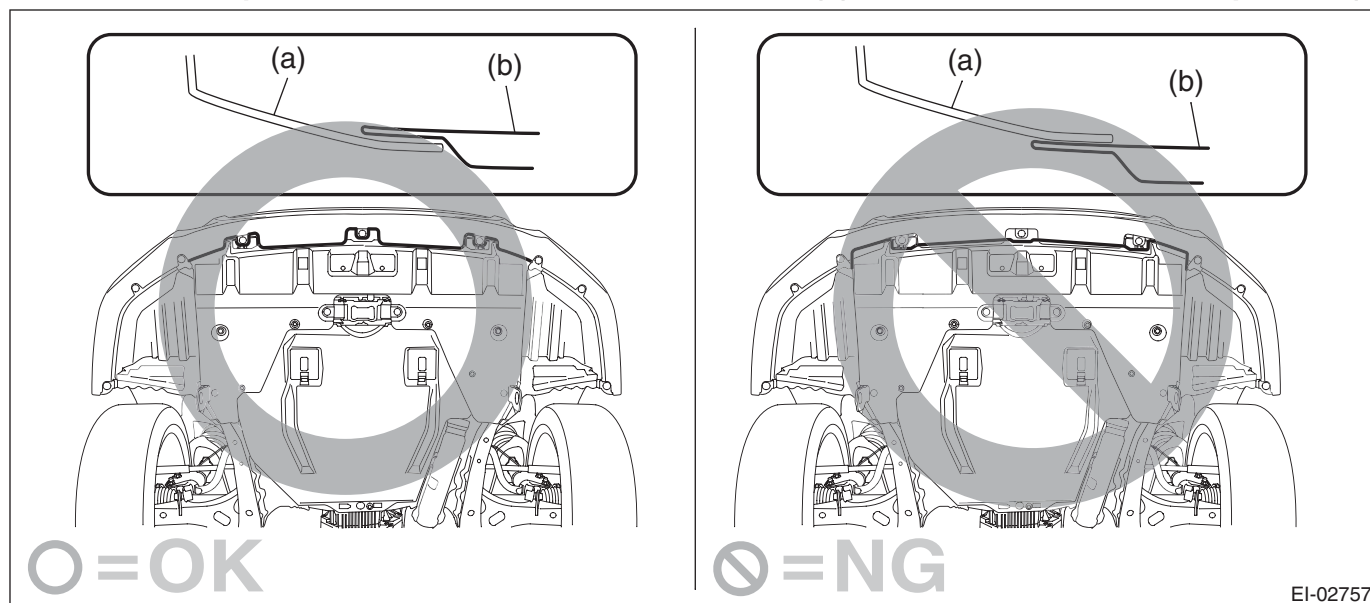


B: INSTALLATION

Install each part in the reverse order of removal.

CAUTION:

- After installing the front fender panel, be sure to perform headlight beam adjustment.
- Install the bumper face so that the under cover front end (b) comes inside the front bumper face (a).



Tightening torque:

Front fender panel: 7.5 N·m (0.76 kgf-m, 5.5 ft-lb)

Headlight ASSY: 7.5 N·m (0.76 kgf-m, 5.5 ft-lb)

NOTE:

When installing, make sure that a uniform clearance is created around the front fender panel.

- Front fender panel — Front hood panel:<Ref. to EB-13, ADJUSTMENT, Front Hood.>
- Front fender panel — Front door panel:<Ref. to EB-28, ADJUSTMENT, Front Door.>