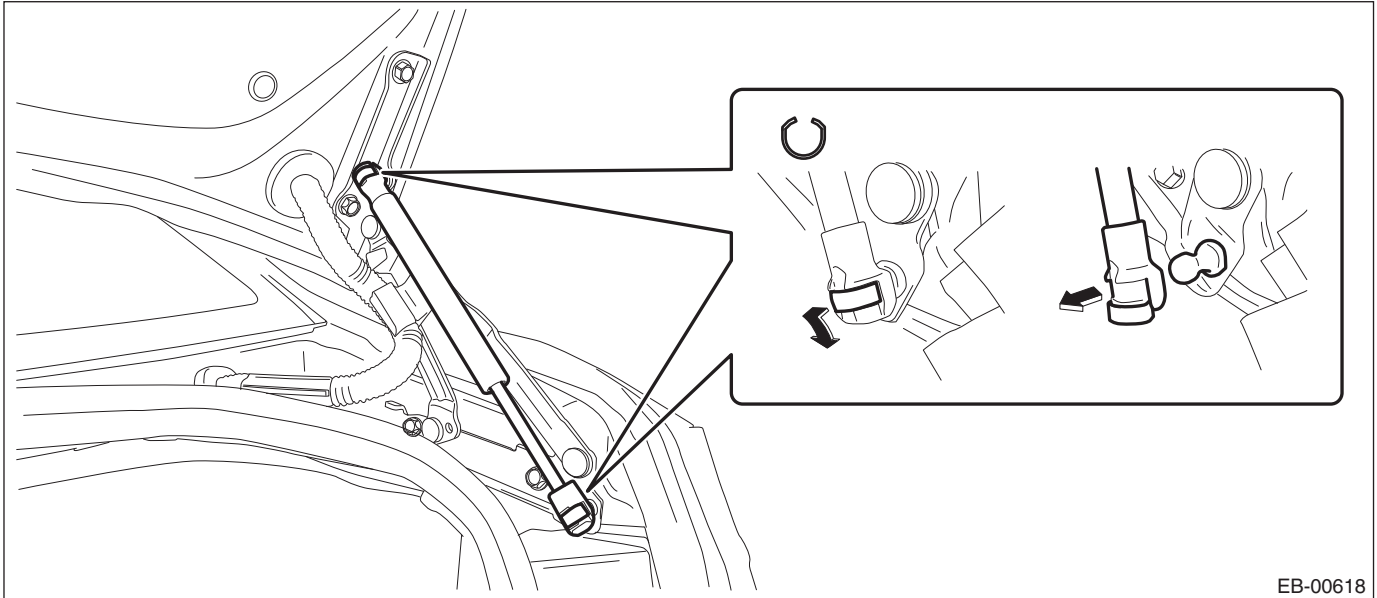


9. Trunk Lid

A: REMOVAL

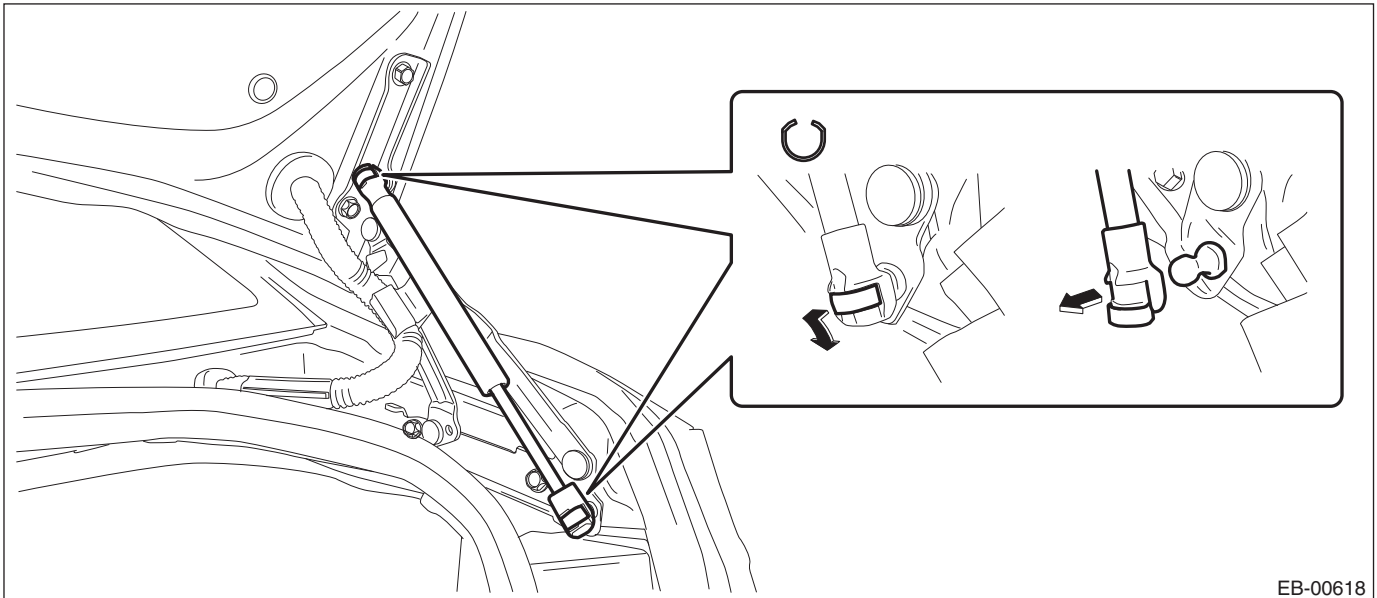
1. TRUNK LID DAMPER STAY

- 1) Open the trunk lid.
- 2) Remove the trunk lid damper stay.
 - (1) Float the lock pin using a flat tip screwdriver, etc. and slide it.
 - (2) Remove the trunk lid damper stay by pulling the damper stay mounting point.



2. TRUNK LID HINGE

- 1) Open the trunk lid.
- 2) Remove the trunk lid damper stay.
 - (1) Float the lock pin using a flat tip screwdriver, etc. and slide it.
 - (2) Remove the trunk lid damper stay by pulling the damper stay mounting point.

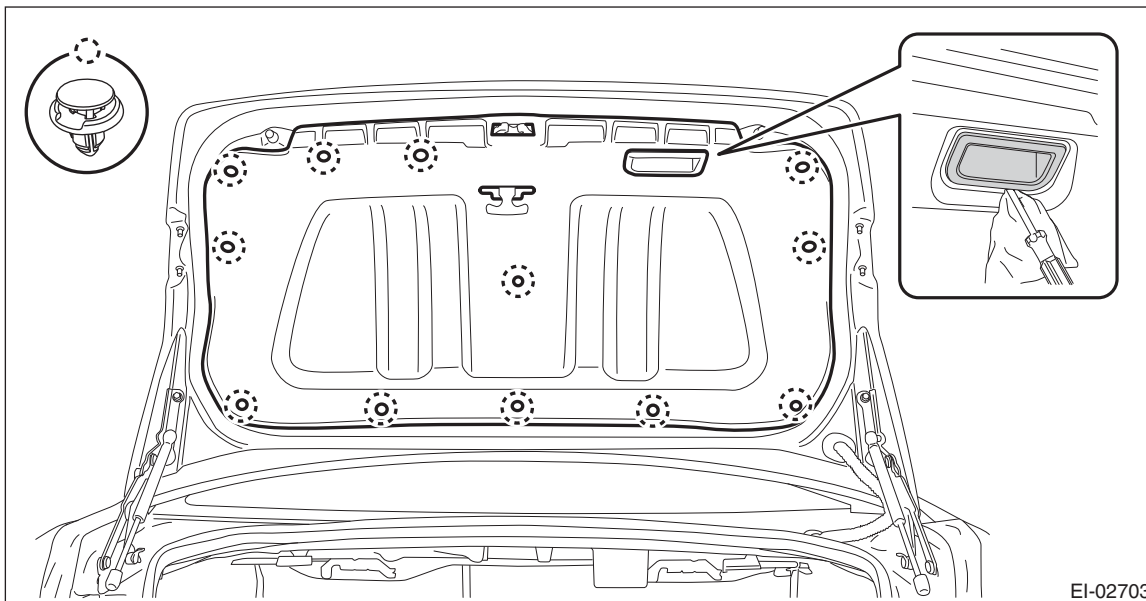


- 3) Remove the trunk lid trim.
 - (1) Remove the trunk handle.

Trunk Lid

EXTERIOR BODY PANELS

(2) Remove the clips and the trunk lid trim.

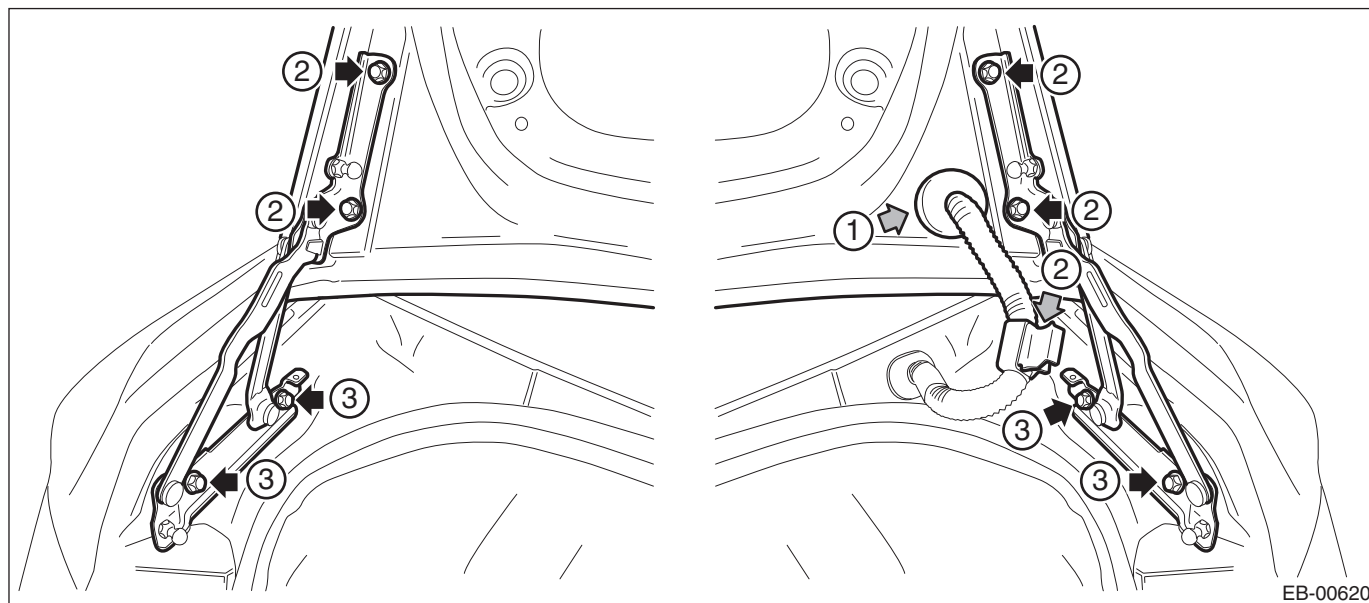


4) Remove the trunk lid hinges.

(1) Disconnect the trunk lid harness connector and remove the grommet, and pull out the trunk lid harness.

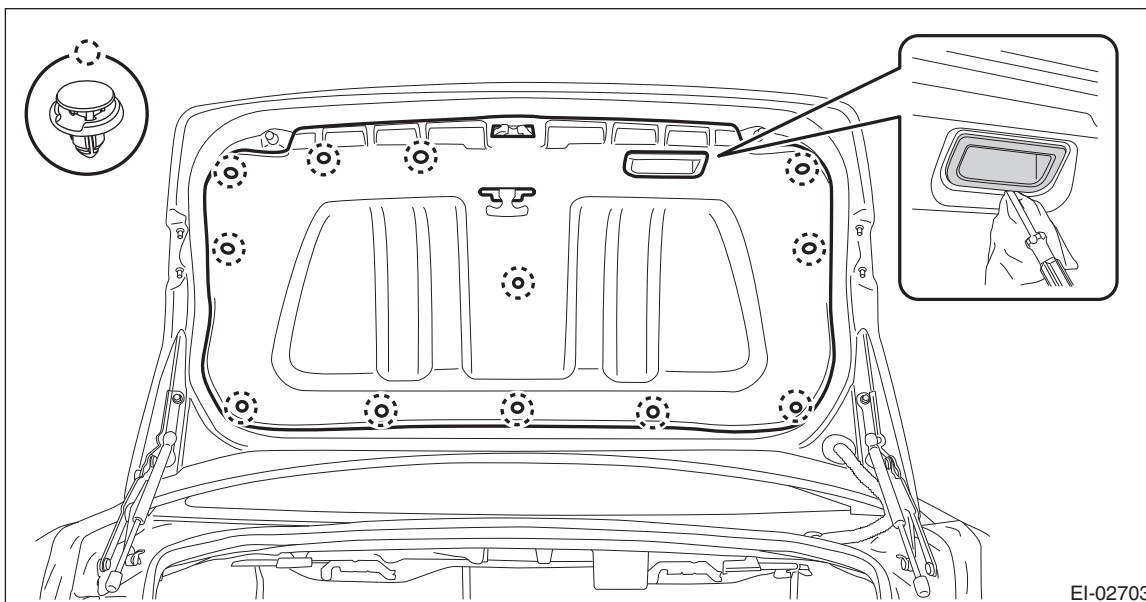
(2) Remove the harness clamps and bolts, and remove the trunk lid panel.

(3) Remove the bolts, then remove the trunk lid hinge.

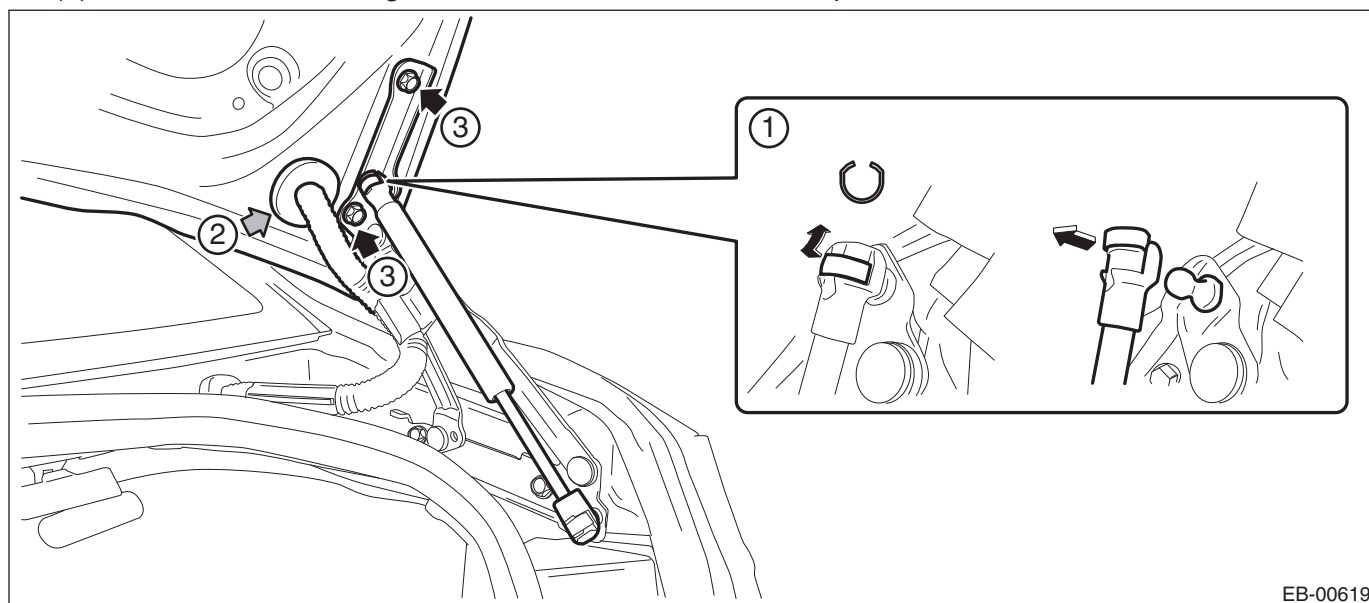


3. TRUNK LID PANEL

- 1) Disconnect the ground cable from battery.
- 2) Remove the trunk lid trim.
 - (1) Remove the trunk handle.
 - (2) Remove the clips and the trunk lid trim.



- 3) Disconnect the connector to remove the trunk lid harness.
- 4) Remove the trunk lid latch&actuator assembly. <Ref. to SL-50, REMOVAL, Trunk Lid Latch and Actuator Assembly.>
- 5) Remove the trunk lid garnish. <Ref. to EI-160, REMOVAL, Trunk Lid Garnish.>
- 6) Remove the trunk lid panel.
 - (1) Remove the left and right damper stay upper.
 - (2) Remove the grommet and pull out the trunk lid harness. (RH side only)
 - (3) Remove the left and right bolts, and remove the trunk lid panel.



Trunk Lid

EXTERIOR BODY PANELS

B: INSTALLATION

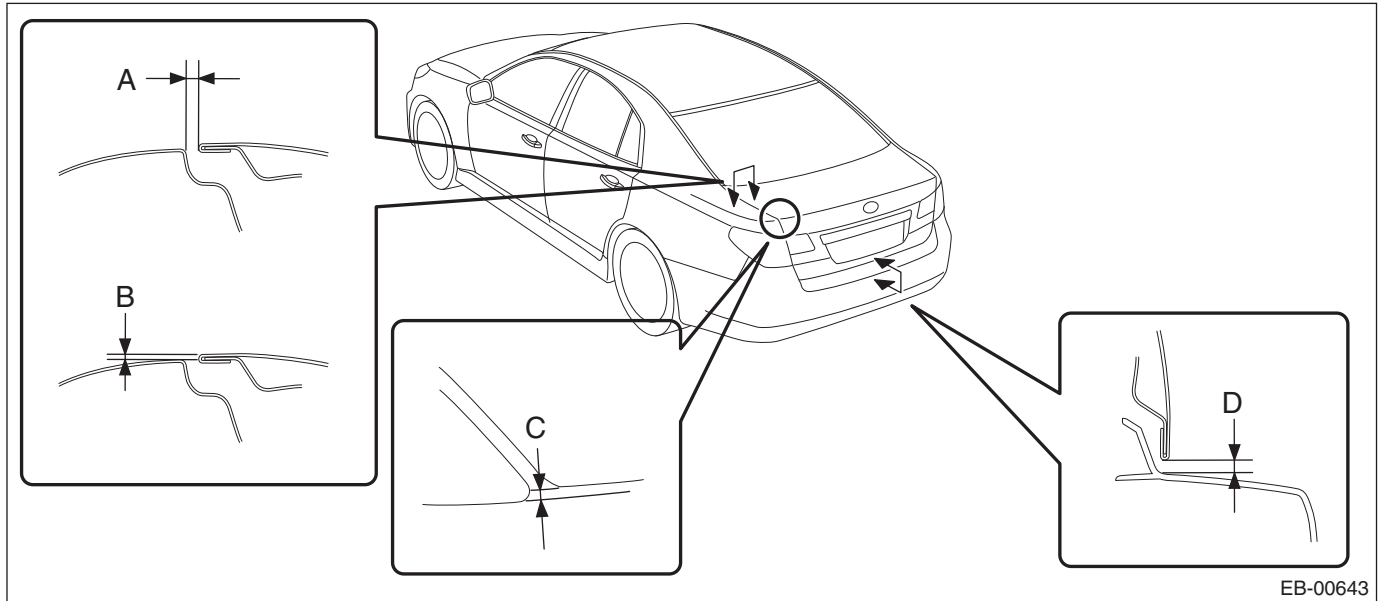
- 1) Install each part in the reverse order of removal.
- 2) Apply grease to the rotating area of hinges and damper stay.
- 3) Install while paying attention to make a uniform clearance around the trunk lid panel. <Ref. to EB-46, ADJUSTMENT, Trunk Lid.>

Tightening torque:

Refer to “COMPONENT” of “General Description”. <Ref. to EB-6, TRUNK LID PANEL, COMPONENT, General Description.>

C: ADJUSTMENT

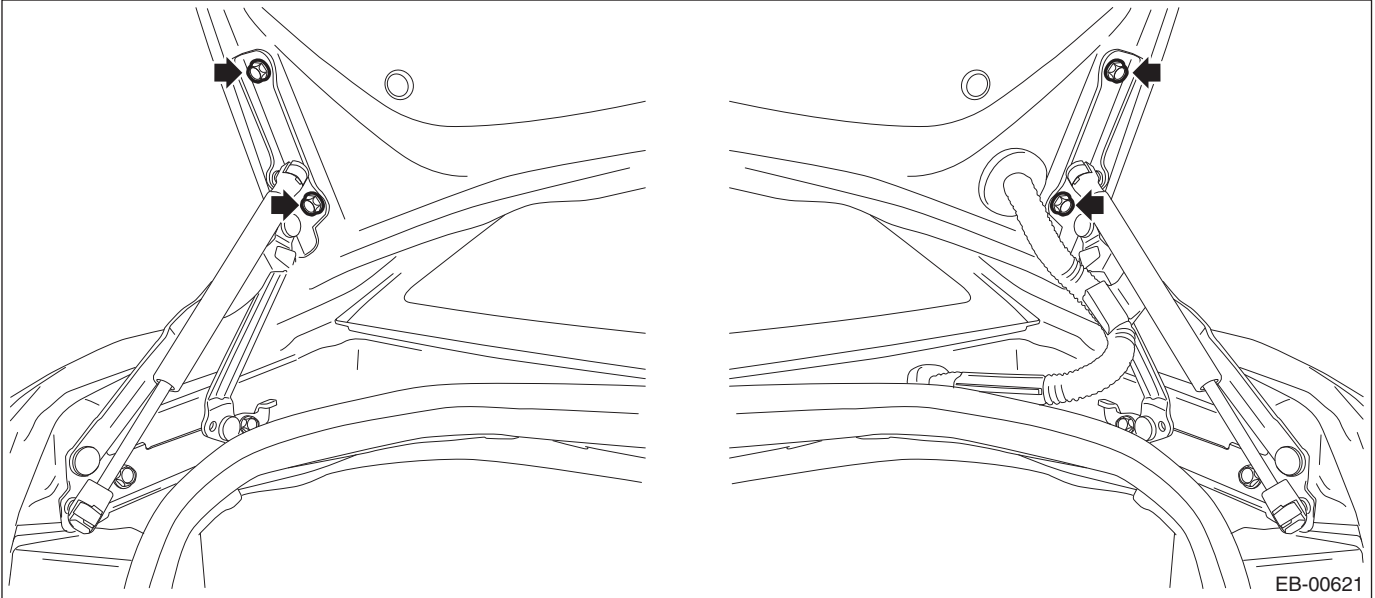
Adjust the clearance around the trunk lid panel as follows.



Part		Standard
A	Trunk lid panel to Rear quarter panel	3.5±1.0 mm (0.14±0.04 in)
B	Surface level gap between trunk lid panel and rear quarter panel	-0.5+1.0, -0.5 mm (0+0.04, -0.02 in)
C	Offset value between trunk lid panel and rear end of rear quarter panel	-0.5±0.7 mm (0.02±0.03 in)
D	Trunk lid panel to Rear bumper	7.0±1.5 mm (0.28±0.06 in)

- 1) Adjust the horizontal position of trunk lid panel.
 - (1) Loosen the mounting bolts.

(2) Adjust the horizontal clearance of trunk lid panel.



2) Adjust the surface level gap between trunk lid panel and body.

(1) Loosen the bolts.

(2) Tap the striker using a plastic hammer to adjust the surface level gap between trunk lid panel and body.

