

10.Rear Gate

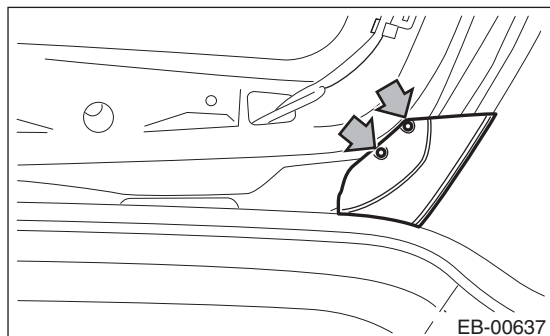
A: REMOVAL

CAUTION:

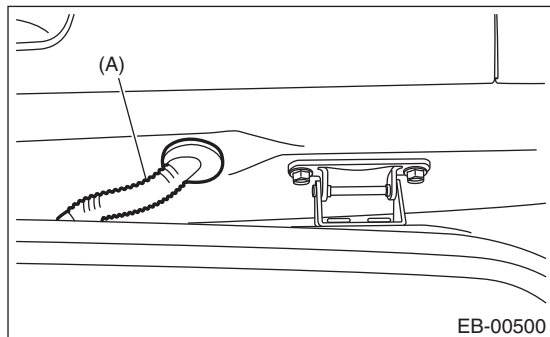
Rear gate panels are heavy. When removing and installing them, always work in a team of two or more persons.

1. REAR GATE PANEL

- 1) Disconnect the ground cable from battery.
- 2) Remove the following parts. <Ref. to EI-161, REMOVAL, Rear Gate Garnish.>
 - Rear gate trim
 - Rear wiper arm assembly and rear wiper motor assembly
 - Rear gate garnish
- 3) Remove the high-mounted stop light assembly and rear washer nozzle. <Ref. to WW-42, REMOVAL, Rear Washer.>
- 4) Remove the rear finisher light assembly. <Ref. to LI-54, OUTBACK MODEL, REMOVAL, Rear Finisher Light Assembly.>
- 5) Remove the rearview camera assembly. <Ref. to ET-41, OUTBACK MODEL, REMOVAL, Rearview Camera System.>
- 6) Remove the rear gate latch&actuator assembly. <Ref. to SL-48, REMOVAL, Rear Gate Latch and Actuator Assembly.>
- 7) Remove the clips, and then remove the rear gate drip rubber.



- 8) Disconnect the rubber duct (A) connection.

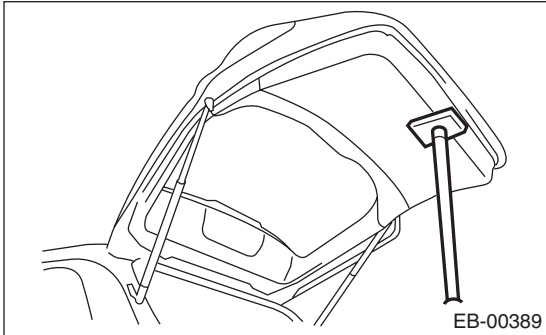


- 9) Pull out the harnesses and washer hose from the rear gate.
- 10) Remove harness clip of each connector from the rear gate panel.

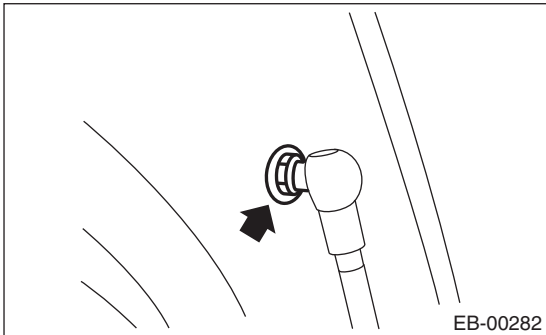
11) Before removing the rear gate damper stay, prevent the rear gate from closing using prop or the like.

CAUTION:

If the prop comes off, operators may get injured and vehicle may get damaged. Make sure to support the rear gate with secure material to prevent injury or damage.



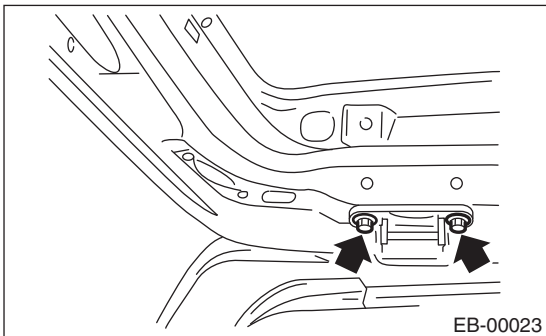
12) Remove the mounting bolt of rear gate damper stay.



13) Remove the rear gate hinge bolt, and remove the rear gate panel.

CAUTION:

Rear gate panels are heavy. When removing and installing them, always work in a team of two or more persons.



14) Remove the rear gate hinge from the vehicle.

Rear Gate

EXTERIOR BODY PANELS

2. REAR GATE DAMPER STAY

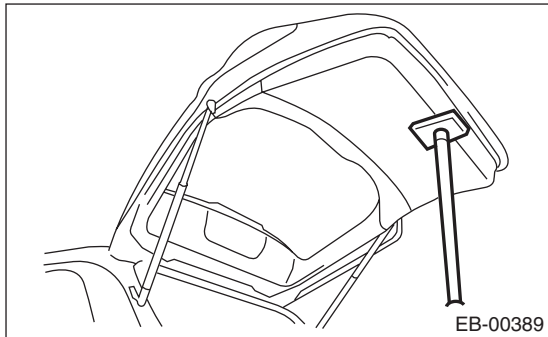
CAUTION:

- Do not damage piston rods and oil seals.
- Never disassemble cylinders: They contain gas.
- Rear gate panels are heavy. When removing and installing them, always work in a team of two or more persons.

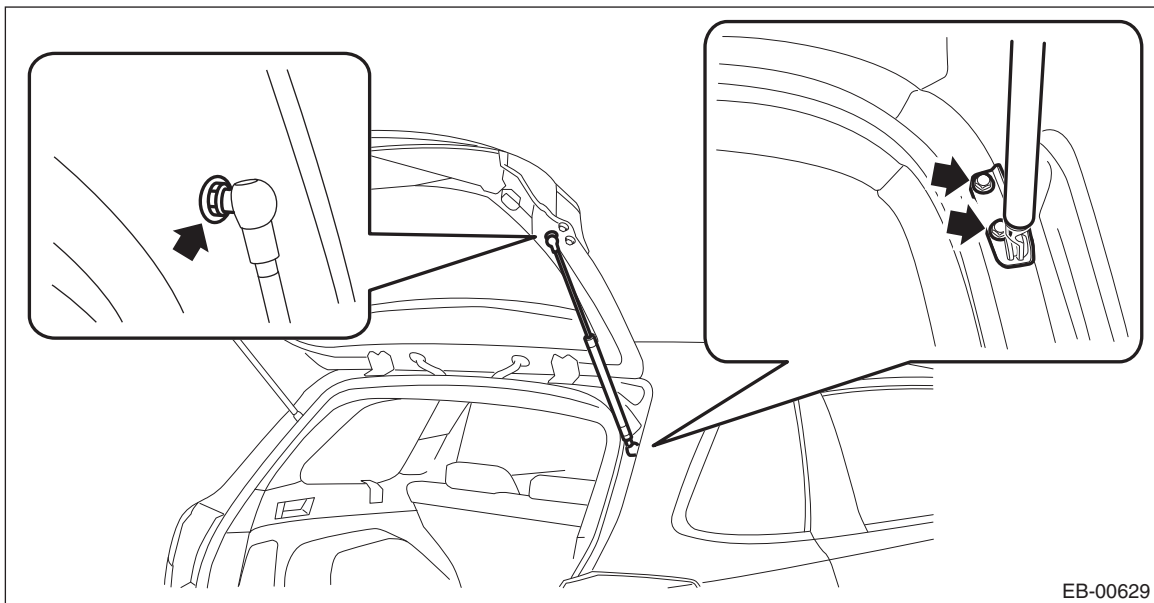
1) Before removing the rear gate damper stay, prevent the rear gate from closing using prop or the like.

CAUTION:

If the prop comes off, operators may get injured and vehicle may get damaged. Make sure to support the rear gate with secure material to prevent injury or damage.



2) Remove the rear gate damper stay by removing mounting bolts.



B: INSTALLATION

1. REAR GATE PANEL

CAUTION:

Rear gate panels are heavy. When removing and installing them, always work in a team of two or more persons.

- 1) Install the rear gate hinges to the vehicle body.
- 2) Temporarily install the rear gate panel to the rear gate hinges.

NOTE:

When installing, make sure that a uniform clearance is created around the rear gate panel.

- 3) Adjust the clearance around the rear gate panel. <Ref. to EB-52, ADJUSTMENT, Rear Gate.>
- 4) Tighten the rear gate hinge bolts.

Tightening torque:

25 N·m (2.55 kgf·m, 18.4 ft·lb)

- 5) Install each part in the reverse order of removal.

Tightening torque:

Rear gate parts:<Ref. to EB-7, REAR GATE, COMPONENT, General Description.>

Rear gate garnish: 4.5 N·m (0.46 kgf·m, 3.3 ft·lb)

Rear wiper motor & rear wiper arm:<Ref. to WW-4, REAR WIPER, COMPONENT, General Description.>

2. REAR GATE DAMPER STAY

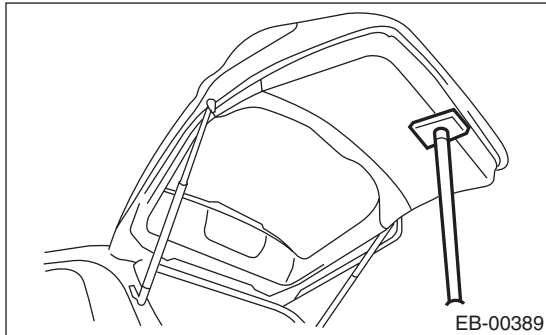
CAUTION:

Rear gate panels are heavy. When removing and installing them, always work in a team of two or more persons.

- 1) Prevent the rear gate from closing using prop or the like.

CAUTION:

If the prop comes off, operators may get injured and vehicle may get damaged. Make sure to support the rear gate with secure material to prevent injury or damage.



- 2) Install each part in the reverse order of removal.

Tightening torque:

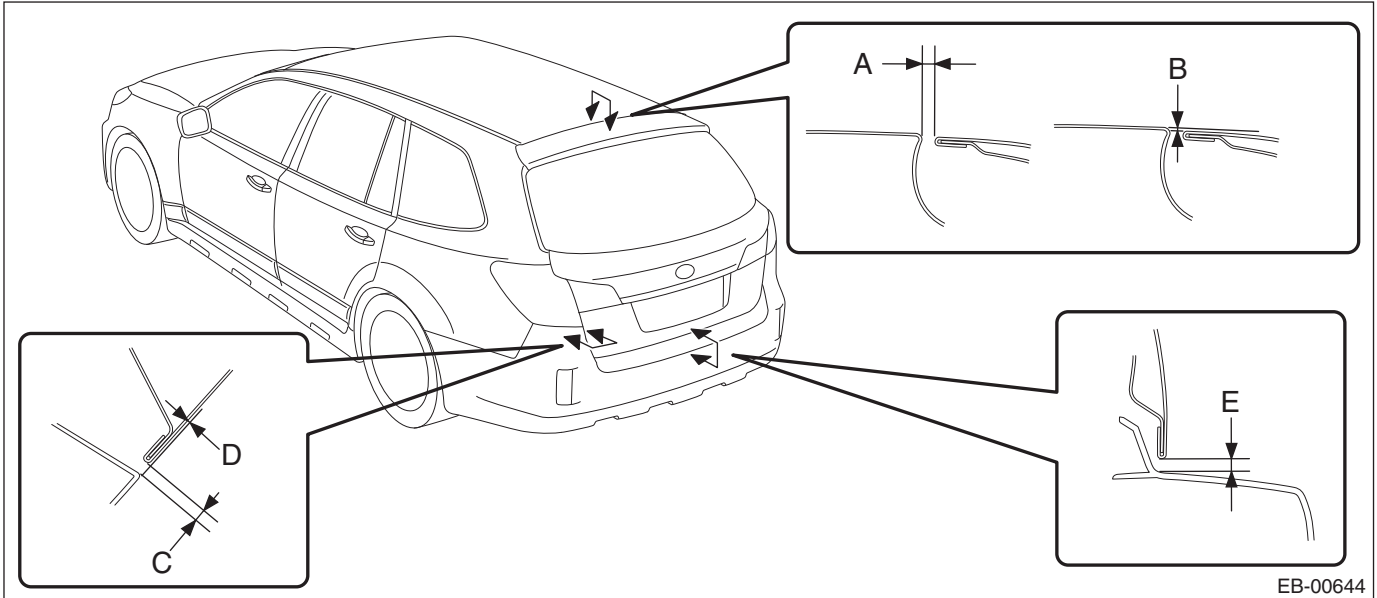
Refer to “COMPONENT” of “General Description”. <Ref. to EB-7, REAR GATE, COMPONENT, General Description.>

Rear Gate

EXTERIOR BODY PANELS

C: ADJUSTMENT

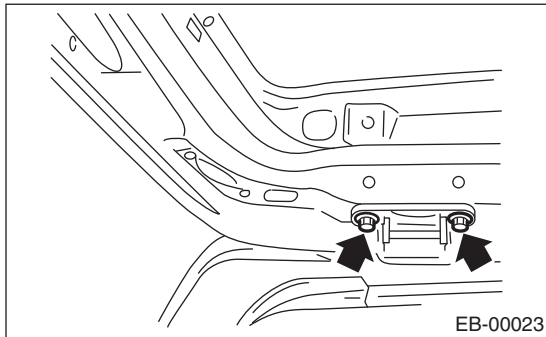
Adjust the clearance around the rear gate panel as follows.



EB-00644

Part		Standard
A	Rear gate panel to Roof panel	6.6+1.0, -0.5 mm (0+0.26, -0.02 in)
B	Surface level gap between rear gate panel and roof panel	1.0±1.0 mm (0.04±0.04 in)
C	Rear gate panel to Rear bumper	5.0±1.0 mm (0.20±0.04 in)
D	Surface level gap between rear gate panel and rear bumper	0.4±1.0 mm (0.02±0.04 in)
E	Rear gate panel to Rear bumper	8.0±1.5 mm (0.31±0.06 in)

1) Adjust the vertical and horizontal positions of rear gate panel.



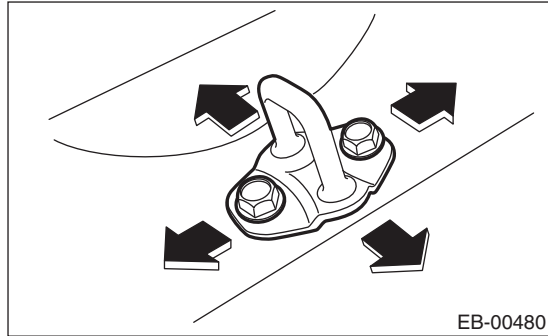
EB-00023

- (1) Loosen the hinge mounting bolts.
- (2) Adjust the vertical and horizontal clearance of rear gate panel.

Tightening torque:

25 N·m (2.55 kgf·m, 18.4 ft·lb)

2) Adjust the surface level gap between rear gate panel and body.



(1) Loosen the bolts.

(2) Tap the striker using a plastic hammer to adjust the surface level gap between rear gate panel and body.

Tightening torque:

25 N·m (2.55 kgf-m, 18.4 ft-lb)

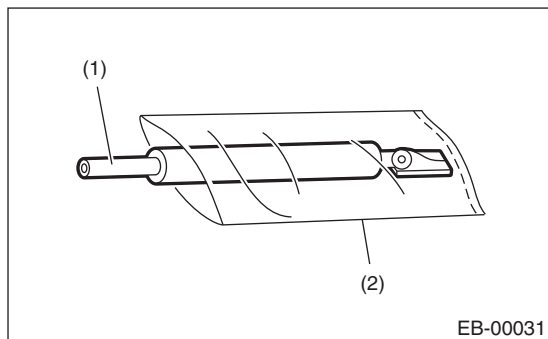
D: DISPOSAL

1. REAR GATE DAMPER STAY

CAUTION:

Gas is colorless, odorless, and harmless. However, gas pressure may spray cutting powder or oil. Be sure to wear dust-resistant goggles.

1) Cover with a vinyl sack as shown in the figure.



(1) Rear gate damper stay

(2) Vinyl sack

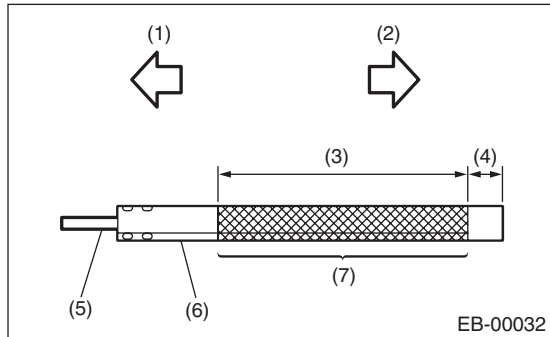
NOTE:

Prevent the vinyl sack from being caught by drill cutting edge.

Rear Gate

EXTERIOR BODY PANELS

2) Lift the body side slightly with piston rods fully extended, and secure the body side with vise. Drill a hole in 2 to 3 mm (0.08 to 0.12 in) diameter at a point 10 to 200 mm (0.39 to 7.87 in) from body side, and bleed the rear gate damper stay gas completely.



- (1) Door side
- (2) Body side
- (3) 190 mm (7.48 in)
- (4) 10 mm (0.39 in)
- (5) Piston rod
- (6) Cylinder
- (7) Portion to be drilled