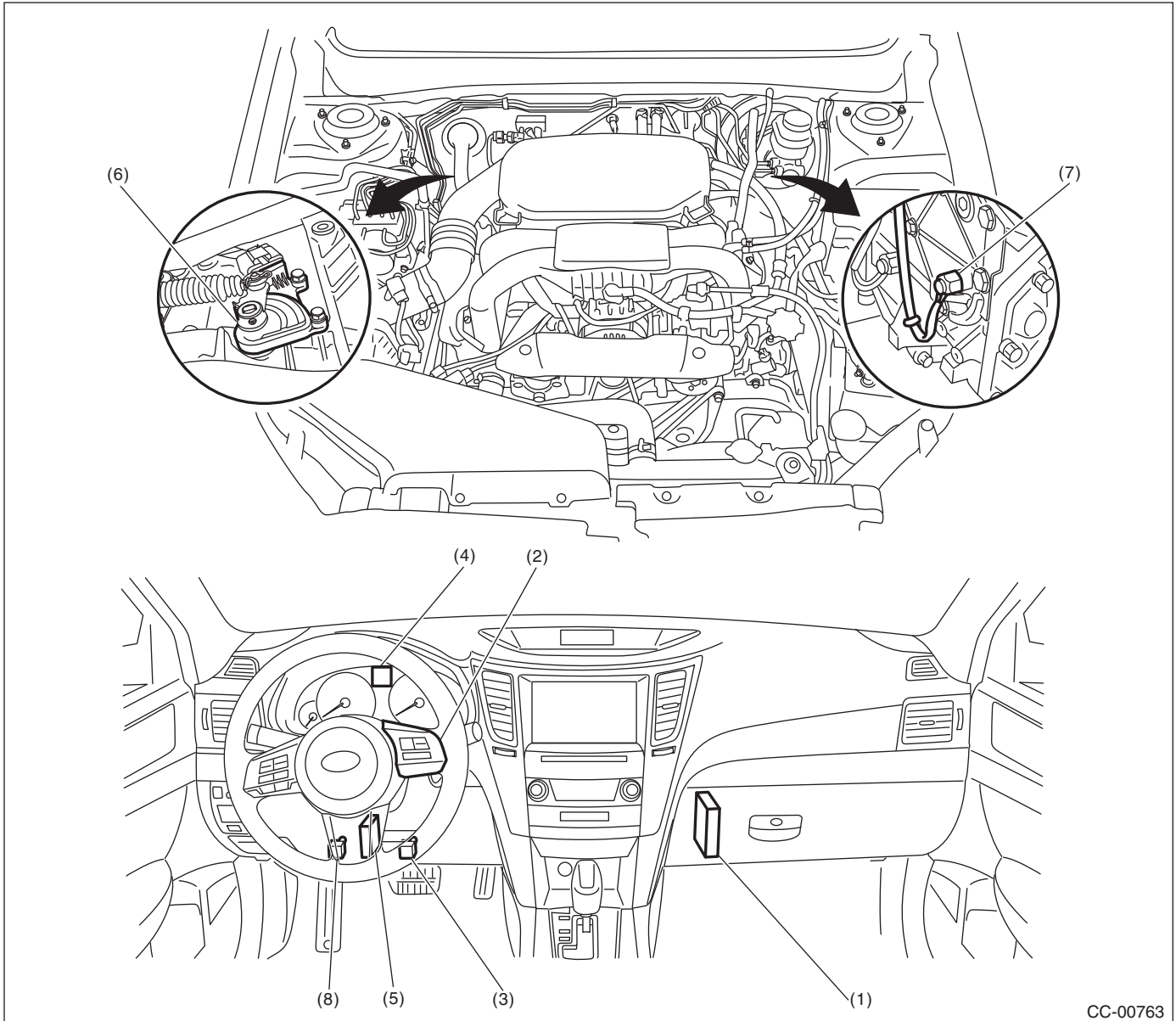


General Description

CRUISE CONTROL SYSTEM

1. General Description

A: COMPONENT



CC-00763

- | | | |
|-----------------------------------|---|--|
| (1) Engine control module (ECM) | (4) Cruise indicator light and cruise set indicator light | (7) Neutral position switch (MT model) |
| (2) Cruise control command switch | (5) Transmission control module (TCM) (AT and CVT model) | (8) Clutch switch (MT model) |
| (3) Stop light and brake switch | (6) Inhibitor switch (CVT model) | |

B: CAUTION

- Before disassembling or reassembling parts, always disconnect the battery ground cable from battery. When repairing the audio, control module, etc. which are provided with memory functions, record the memory contents before disconnecting the ground cable from battery. Otherwise, the memory will be cleared.
- Reassemble the parts in the reverse order of disassembly unless otherwise indicated.
- Adjust the parts to specifications specified in this manual.
- Connect the connectors securely when reassembling.
- After reassembly, make sure that the functional parts operate normally.

C: PREPARATION TOOL

TOOL NAME	REMARKS
Circuit tester	Used for measuring resistance and voltage.
TORX® bit T30	Used for removing/installing driver's airbag module.