

## 11. Preparation for Overhaul

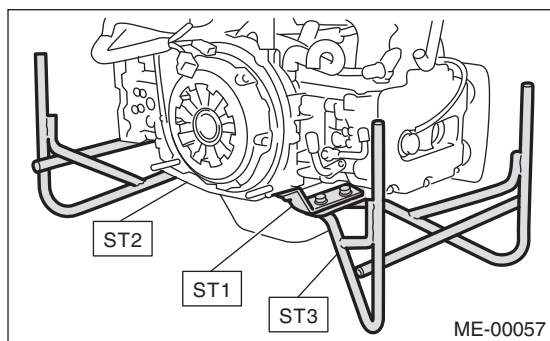
### A: PROCEDURE

1) After removing the engine from vehicle body, attach the ST to the engine as shown in the figure.

ST1 498457000 ENGINE STAND ADAPTER  
RH

ST2 498457100 ENGINE STAND ADAPTER  
LH

ST3 499817100 ENGINE STAND



2) In this section the procedures described under each index are all connected and stated in order. Engine overhaul will be completed when you go through all steps in the procedure.

Therefore, in this section, to conduct the particular procedure within the flow of a section, you need to go back and conduct the procedure described previously in order to do that particular procedure.