

Cam Sprocket

MECHANICAL

16. Cam Sprocket

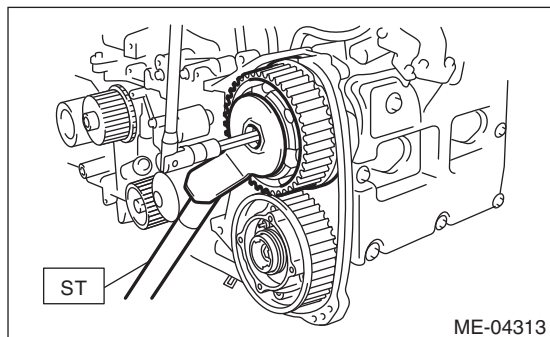
A: REMOVAL

NOTE:

When replacing the single part, perform the work with the engine installed to vehicle body.

- 1) Remove the crank pulley. <Ref. to ME(H4DOTC)-44, REMOVAL, Crank Pulley.>
- 2) Remove the timing belt cover. <Ref. to ME(H4DOTC)-46, REMOVAL, Timing Belt Cover.>
- 3) Remove the timing belt. <Ref. to ME(H4DOTC)-51, REMOVAL, Timing Belt.>
- 4) Remove the actuator covers of intake cam sprocket and exhaust cam sprocket.
- 5) Use the ST to lock the cam sprocket, and remove the cam sprocket bolt.

ST 499977500 CAM SPROCKET WRENCH



- 6) Remove the cam sprocket.

B: INSTALLATION

- 1) Install the cam sprocket.
- 2) Use the ST to lock the cam sprocket, and install the cam sprocket bolt.

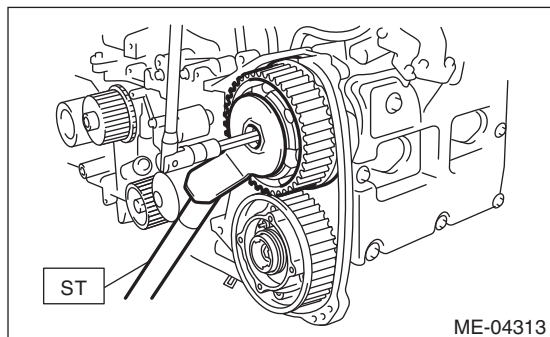
NOTE:

Do not confuse cam sprockets (LH) and (RH) or (INT) and (EXH) during installation.

ST 499977500 CAM SPROCKET WRENCH

Tightening torque:

Tighten to 30 N·m (3.1 kgf-m, 22.1 ft-lb) of torque, and then tighten further by 45°.



- 3) Install the actuator covers of intake cam sprocket and exhaust cam sprocket.

NOTE:

Use new O-rings.

Tightening torque:

3.4 N·m (0.3 kgf-m, 2.5 ft-lb)

- 4) Install the timing belt. <Ref. to ME(H4DOTC)-53, INSTALLATION, Timing Belt.>
- 5) Install the timing belt cover. <Ref. to ME(H4DOTC)-49, INSTALLATION, Timing Belt Cover.>
- 6) Install the crank pulley. <Ref. to ME(H4DOTC)-44, INSTALLATION, Crank Pulley.>

C: INSPECTION

- 1) Check the cam sprocket teeth for abnormal wear and scratches.
- 2) Make sure there is no free play between cam sprocket and key.