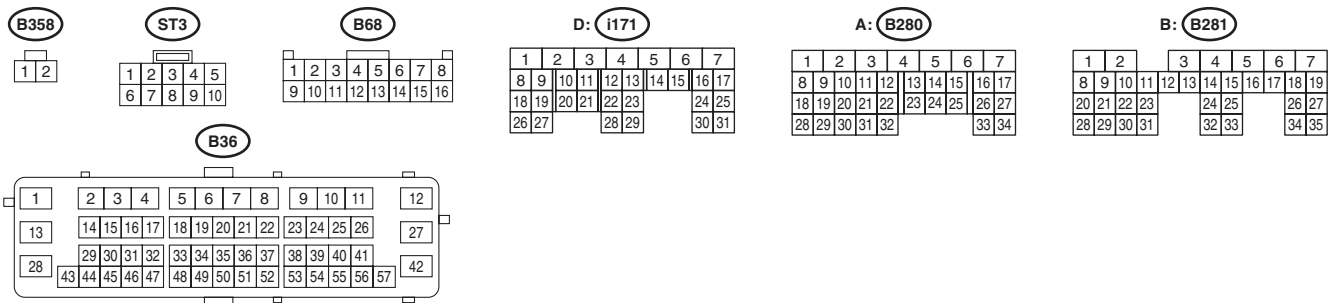
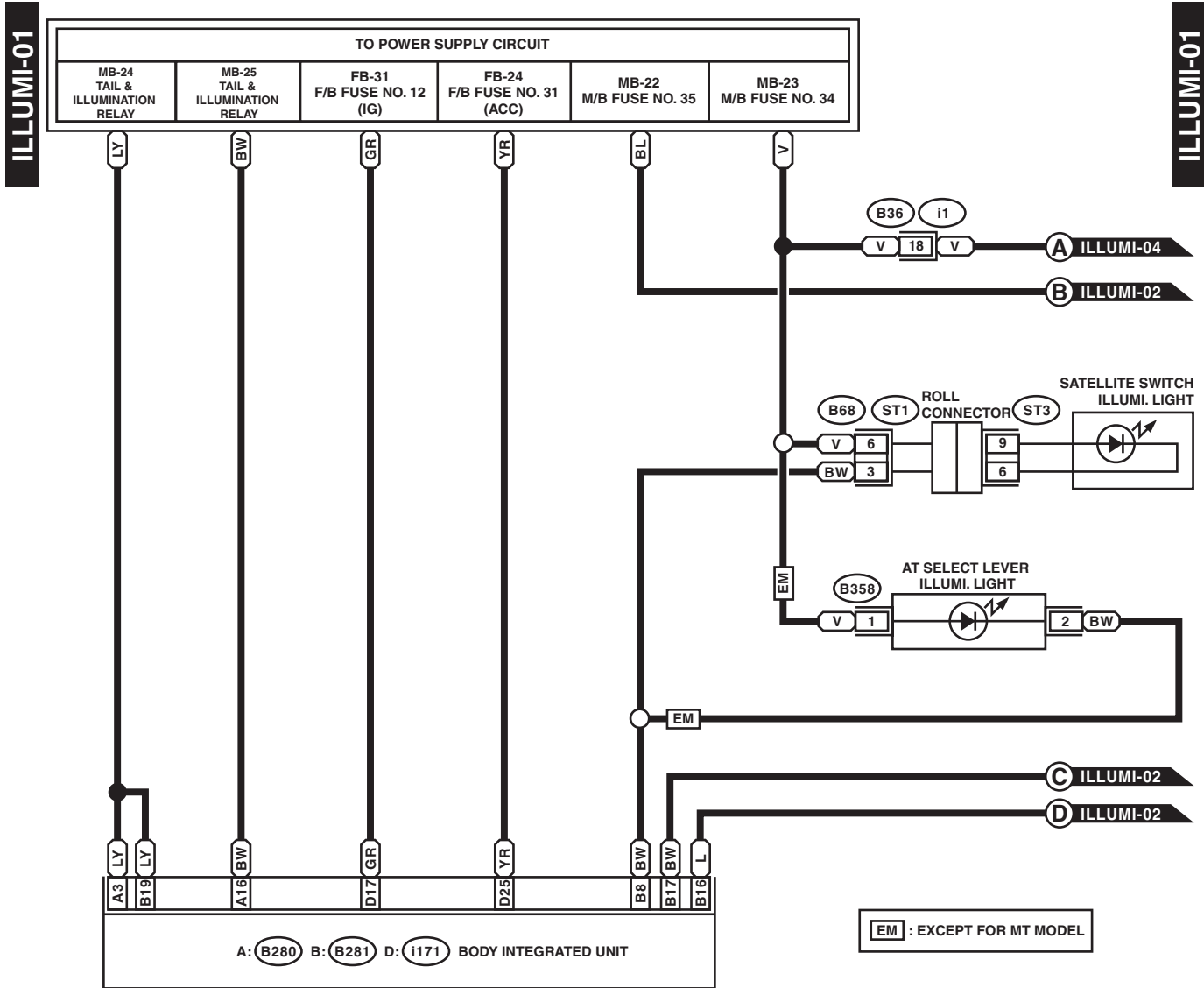


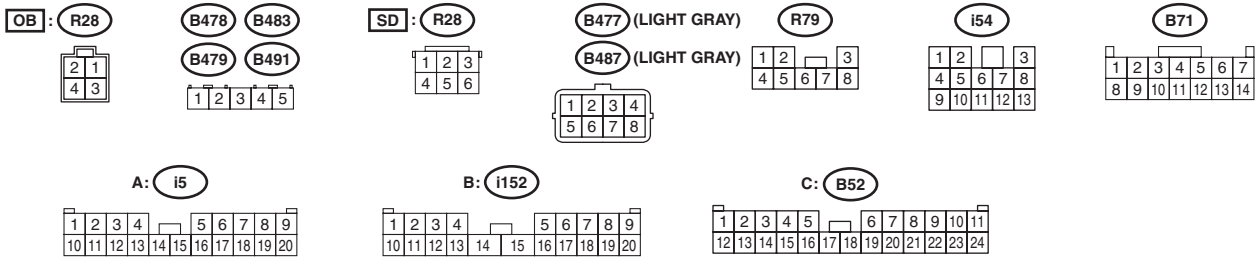
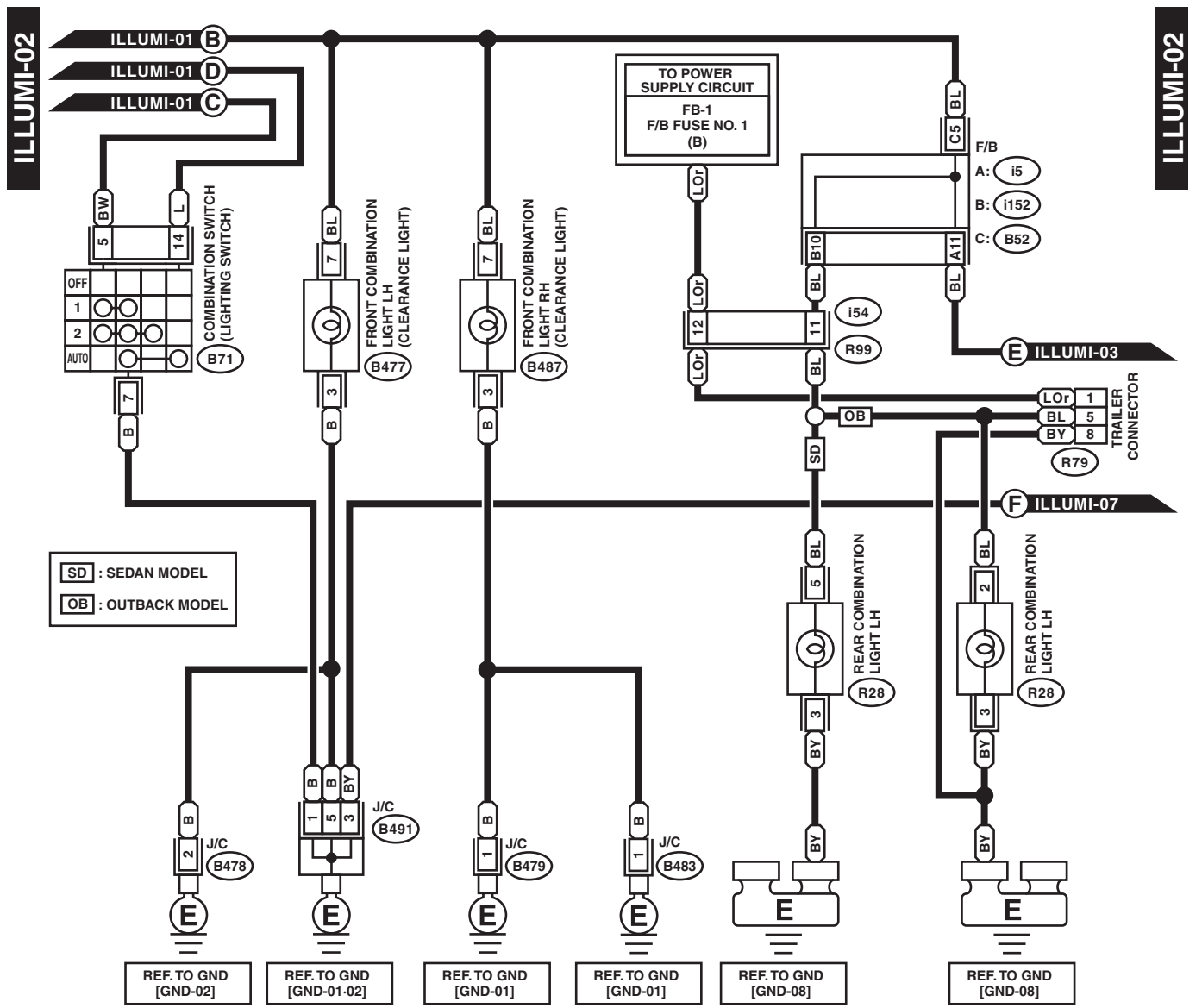
13. Clearance Light and Illumination Light System

A: WIRING DIAGRAM



Clearance Light and Illumination Light System

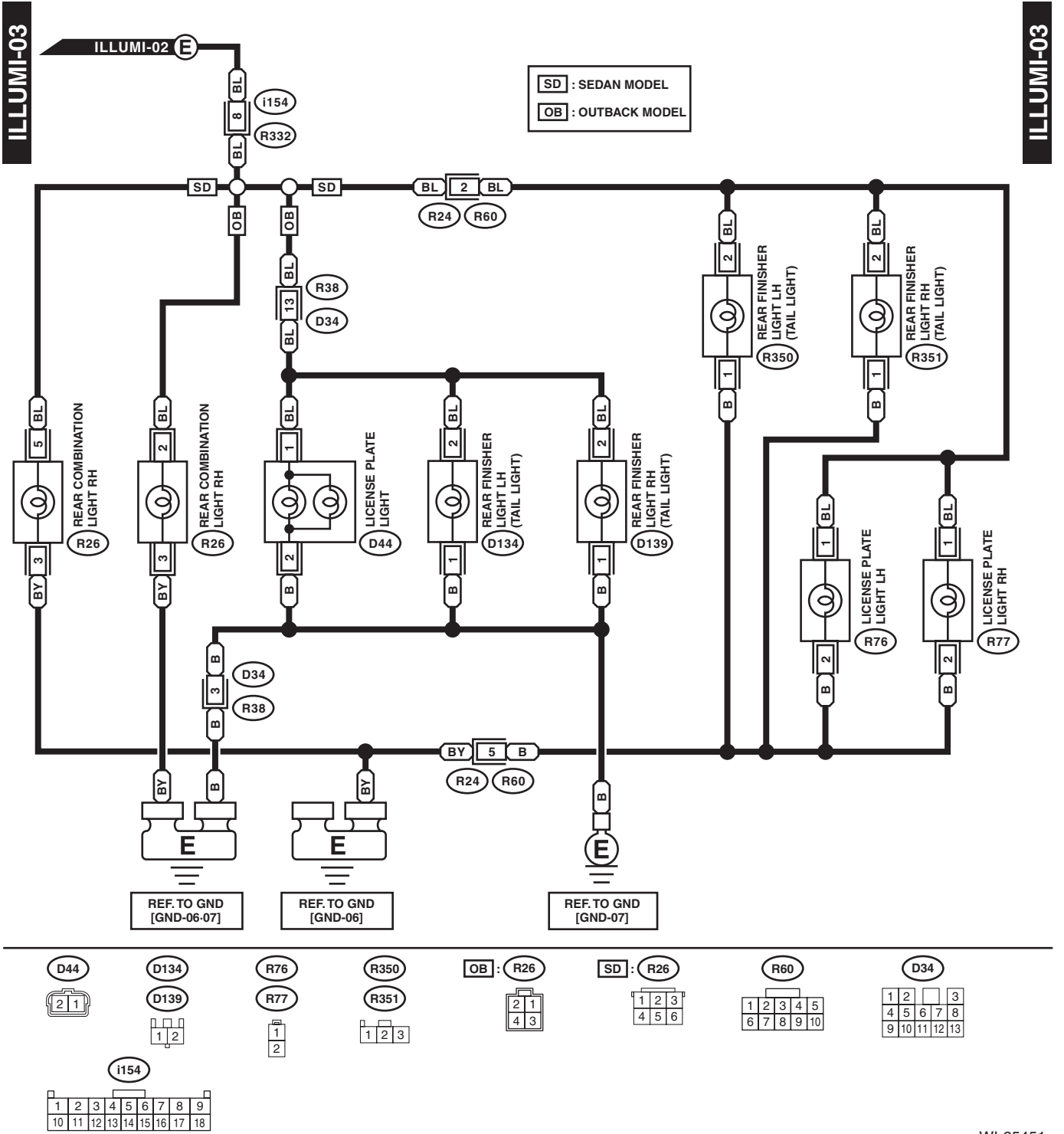
WIRING SYSTEM



WI-25450

Clearance Light and Illumination Light System

WIRING SYSTEM



WI-25451

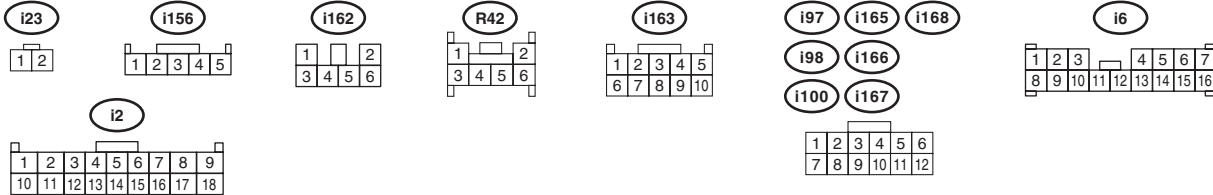
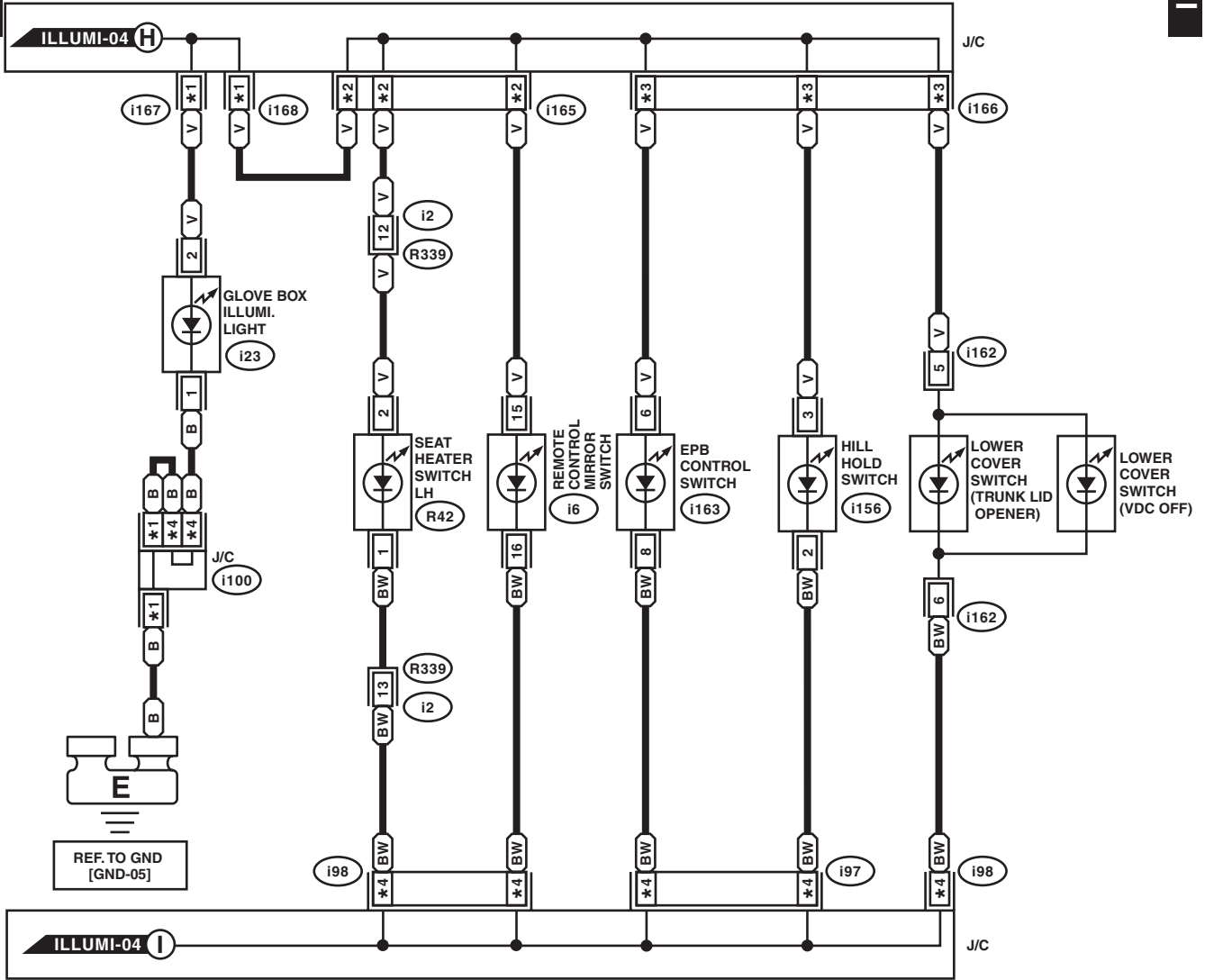
Clearance Light and Illumination Light System

WIRING SYSTEM

ILLUMI-05

ILLUMI-05

- *1 : TERMINAL No. OPTIONAL ARRANGEMENT AMONG 1, 2, 3, 4, 5 AND 6
- *2 : TERMINAL No. OPTIONAL ARRANGEMENT AMONG 7, 8 AND 9
- *3 : TERMINAL No. OPTIONAL ARRANGEMENT AMONG 10, 11 AND 12
- *4 : TERMINAL No. OPTIONAL ARRANGEMENT AMONG 7, 8, 9, 10, 11 AND 12



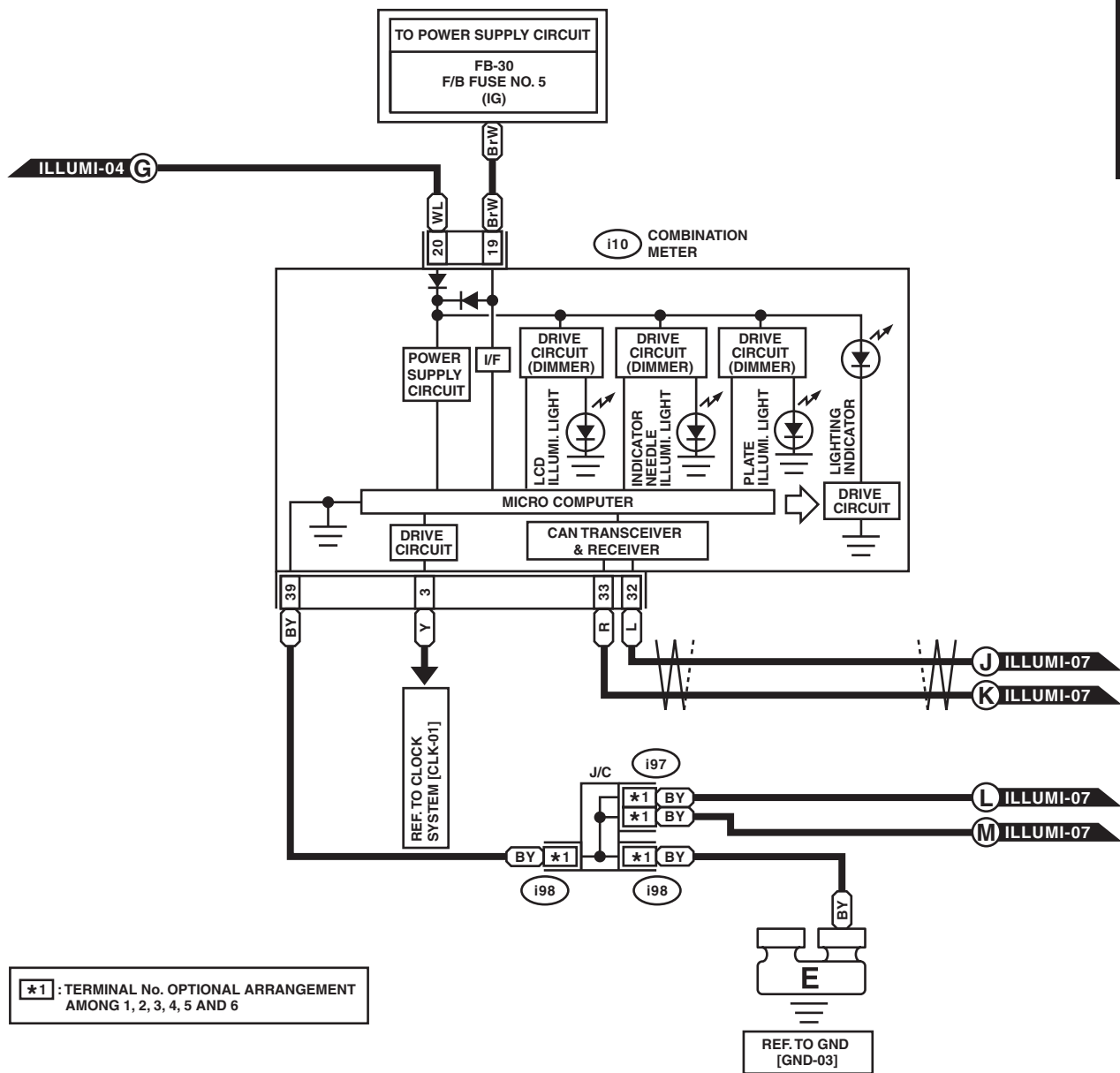
WI-25453

Clearance Light and Illumination Light System

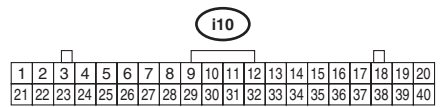
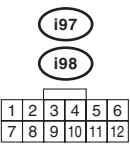
WIRING SYSTEM

ILLUMI-06

ILLUMI-06



*1 : TERMINAL No. OPTIONAL ARRANGEMENT AMONG 1, 2, 3, 4, 5 AND 6



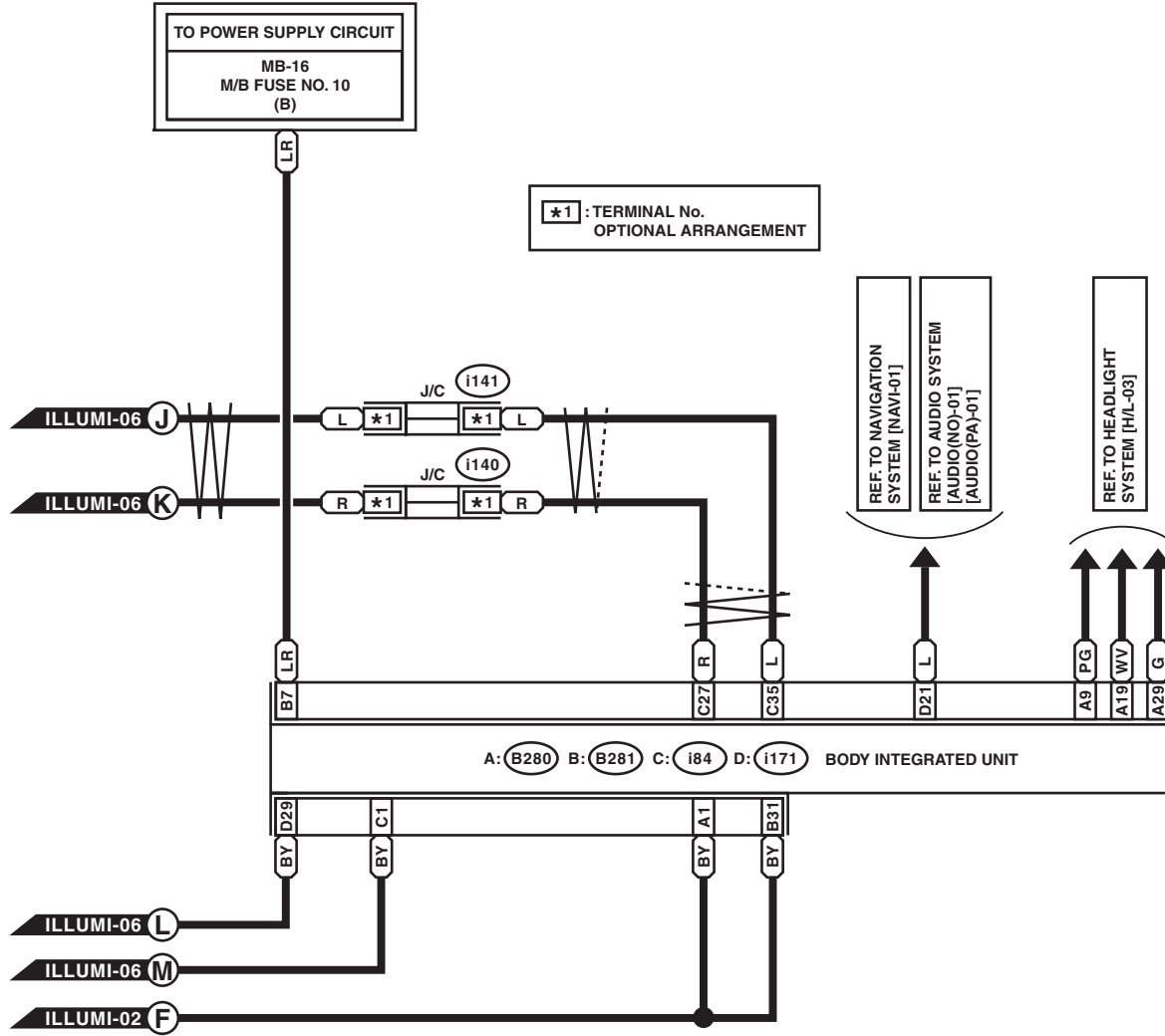
WI-25454

Clearance Light and Illumination Light System

WIRING SYSTEM

ILLUMI-07

ILLUMI-07



(i140)

(i141)

| | | | |
|---|---|---|---|
| 1 | 2 | 3 | 4 |
|---|---|---|---|

D: (i171)

| | | | | | | |
|----|----|----|----|----|----|----|
| 1 | 2 | 3 | 4 | 5 | 6 | 7 |
| 8 | 9 | 10 | 11 | 12 | 13 | 14 |
| 15 | 16 | 17 | 18 | 19 | 20 | 21 |
| 22 | 23 | 24 | 25 | 26 | 27 | 28 |
| 29 | 30 | 31 | 32 | 33 | 34 | 35 |

A: (B280)

| | | | | | | |
|----|----|----|----|----|----|----|
| 1 | 2 | 3 | 4 | 5 | 6 | 7 |
| 8 | 9 | 10 | 11 | 12 | 13 | 14 |
| 15 | 16 | 17 | 18 | 19 | 20 | 21 |
| 22 | 23 | 24 | 25 | 26 | 27 | 28 |
| 29 | 30 | 31 | 32 | 33 | 34 | 35 |

B: (B281)

| | | | | | | |
|----|----|----|----|----|----|----|
| 1 | 2 | 3 | 4 | 5 | 6 | 7 |
| 8 | 9 | 10 | 11 | 12 | 13 | 14 |
| 15 | 16 | 17 | 18 | 19 | 20 | 21 |
| 22 | 23 | 24 | 25 | 26 | 27 | 28 |
| 29 | 30 | 31 | 32 | 33 | 34 | 35 |

C: (i84)

| | | | | | |
|----|----|----|----|----|----|
| 1 | 2 | 3 | 4 | 5 | 6 |
| 7 | 8 | 9 | 10 | 11 | 12 |
| 13 | 14 | 15 | 16 | 17 | 18 |
| 19 | 20 | 21 | 22 | 23 | 24 |
| 25 | 26 | 27 | 28 | 29 | 30 |
| 31 | 32 | 33 | 34 | 35 | 36 |

WI-25455