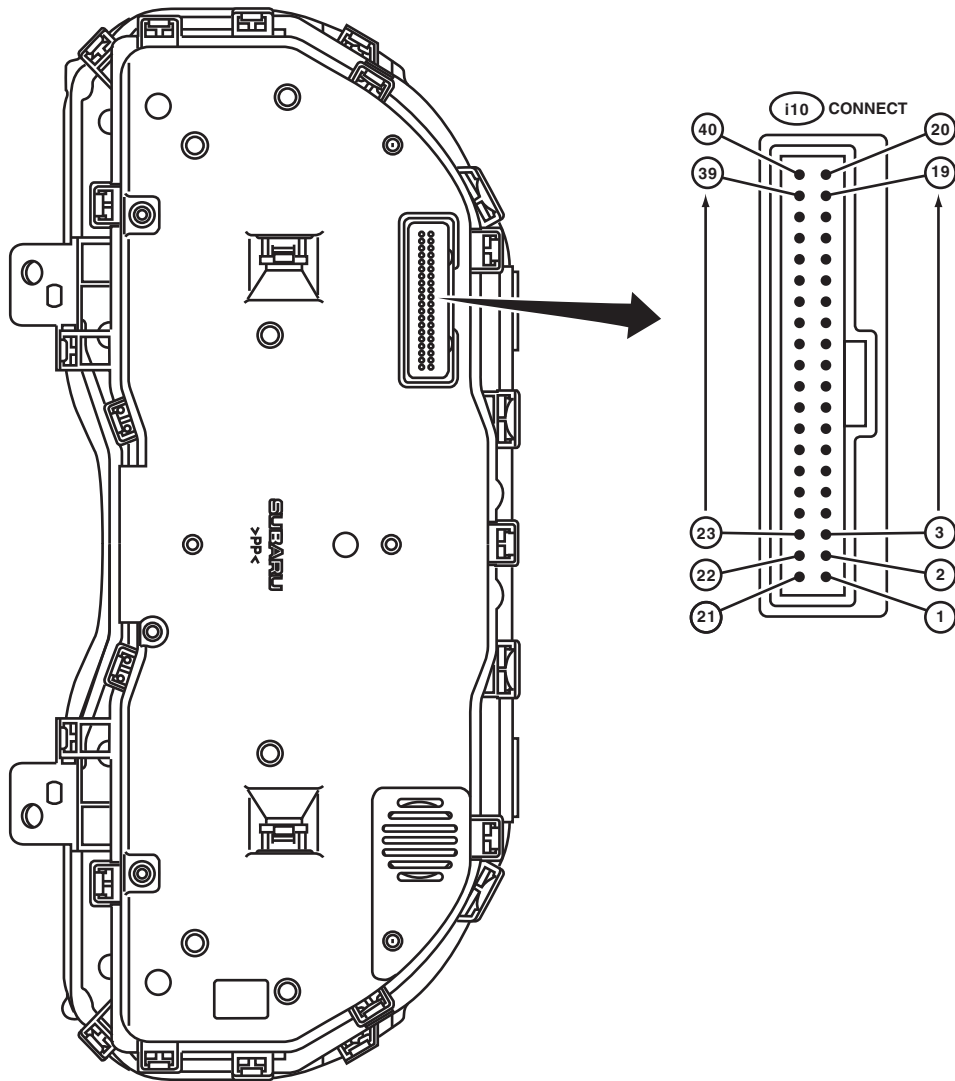


15. Combination Meter System

A: WIRING DIAGRAM

C/M-01

C/M-01

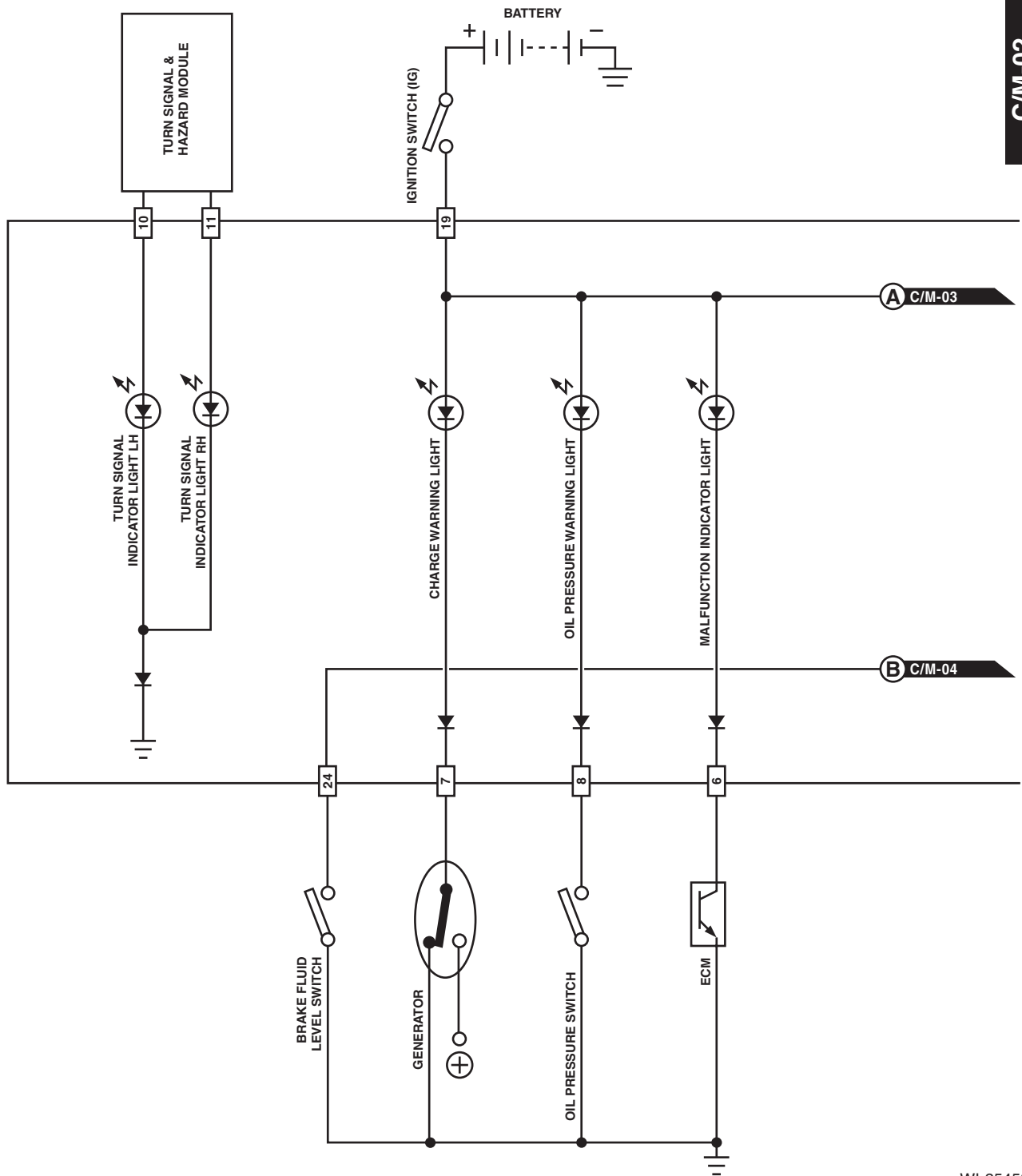


Combination Meter System

WIRING SYSTEM

C/M-02

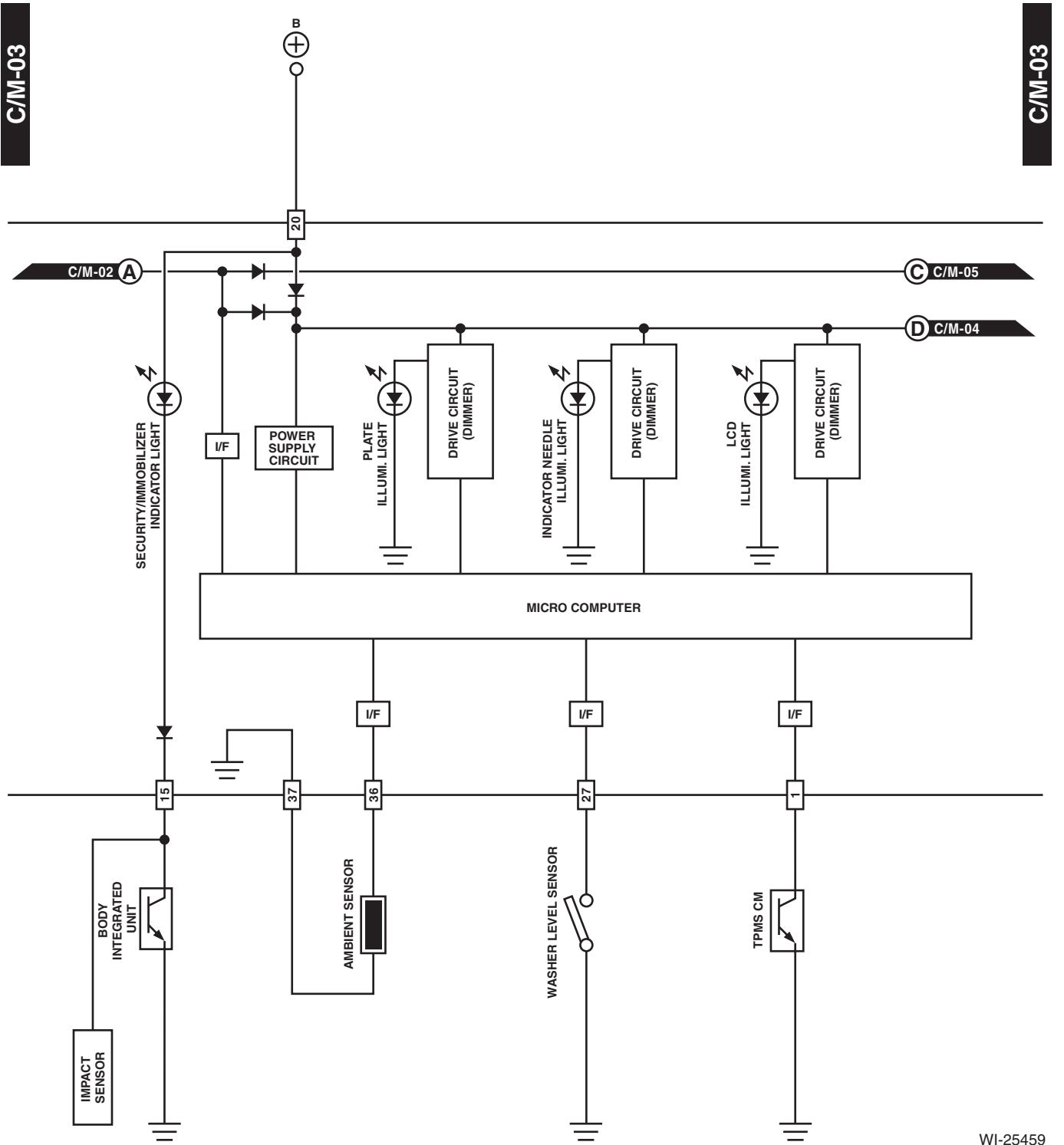
C/M-02



WI-25458

Combination Meter System

WIRING SYSTEM



WI-25459

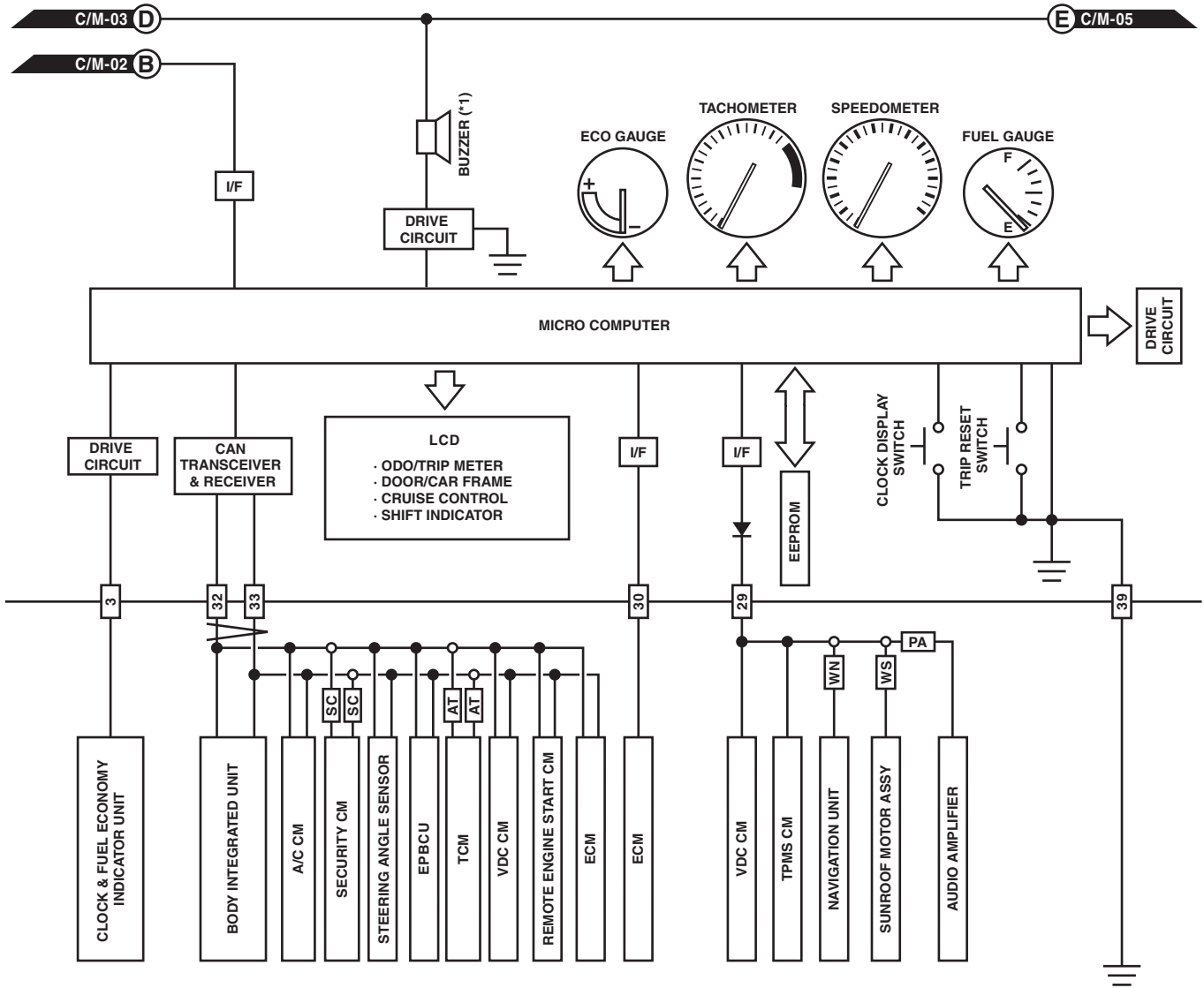
Combination Meter System

WIRING SYSTEM

C/M-04

C/M-04

- | | |
|-----------------------------|--------------------------|
| *1 : SPORT SHIFT | SC : WITH SECURITY CM |
| HIGH ENGINE OIL TEMPERATURE | PA : PREMIUM AUDIO MODEL |
| CUSTOMIZED SEAT BELT | WN : WITH NAVIGATION |
| EPB | WS : WITH SUNROOF |
| KEY WARNING | |
| HEADLIGHT WARNING | |



WI-25460

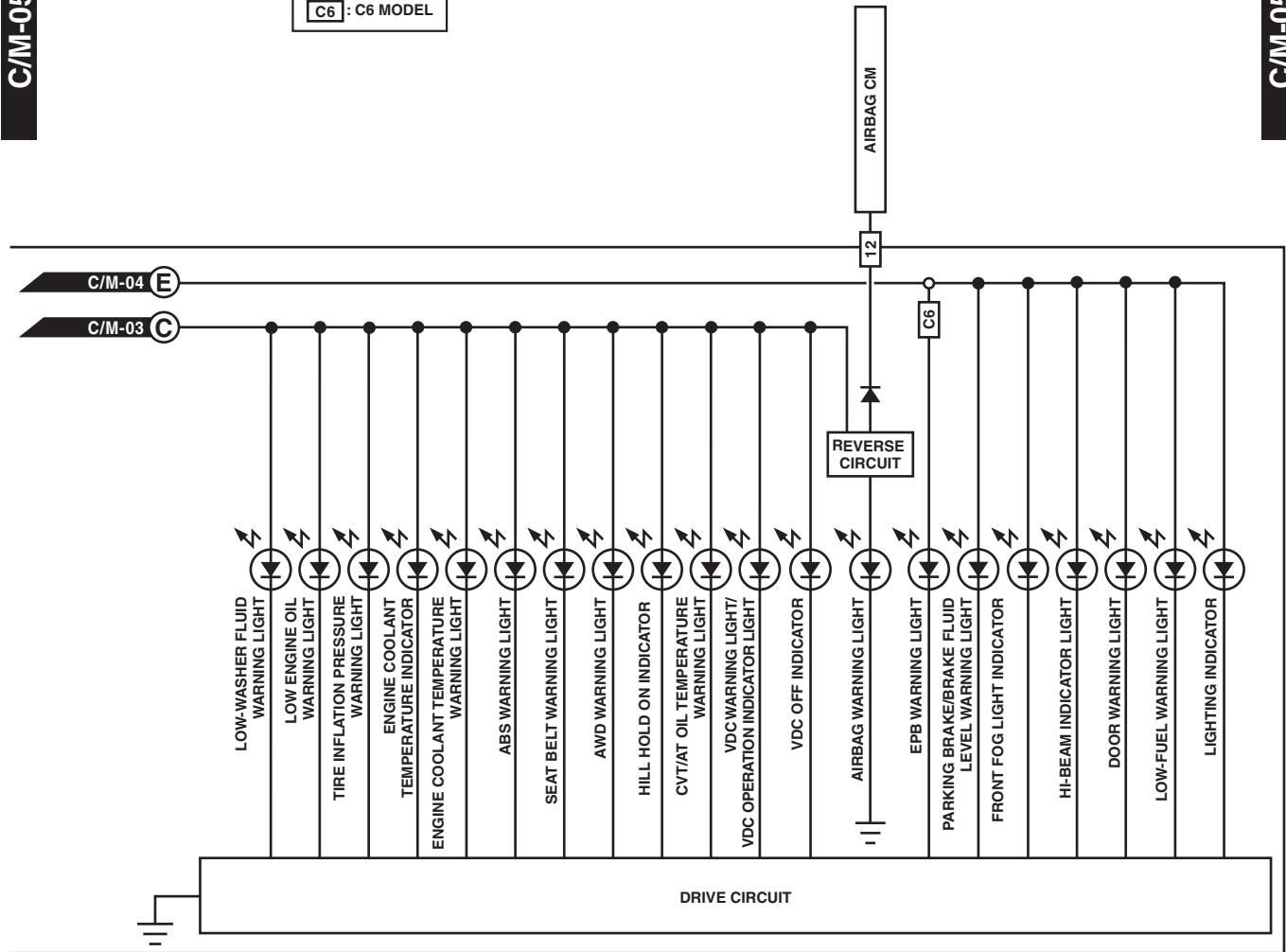
Combination Meter System

WIRING SYSTEM

C/M-05

C6 : C6 MODEL

C/M-05



WI-25461