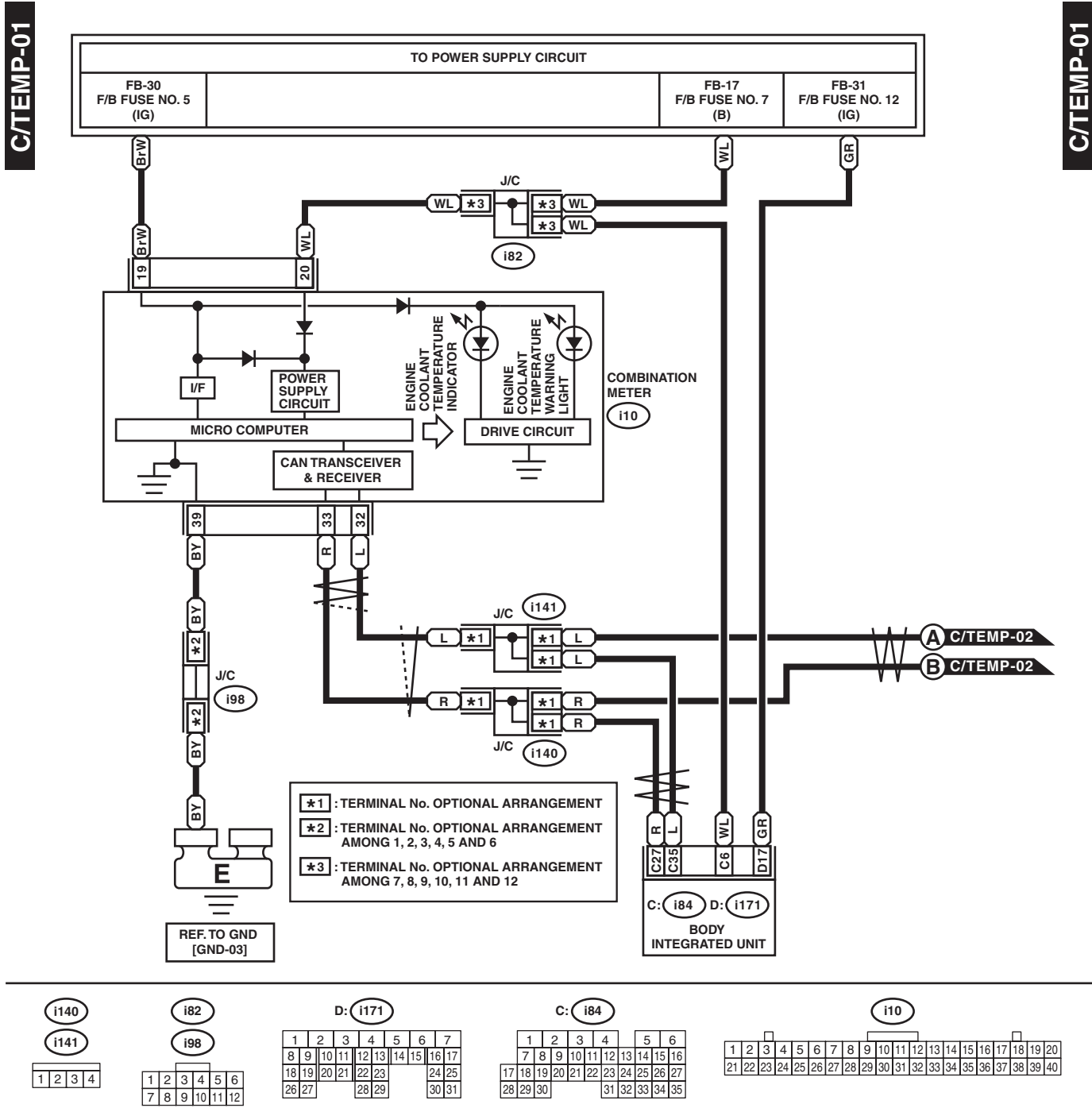


Coolant Temperature System

WIRING SYSTEM

16. Coolant Temperature System

A: WIRING DIAGRAM



WI-25462

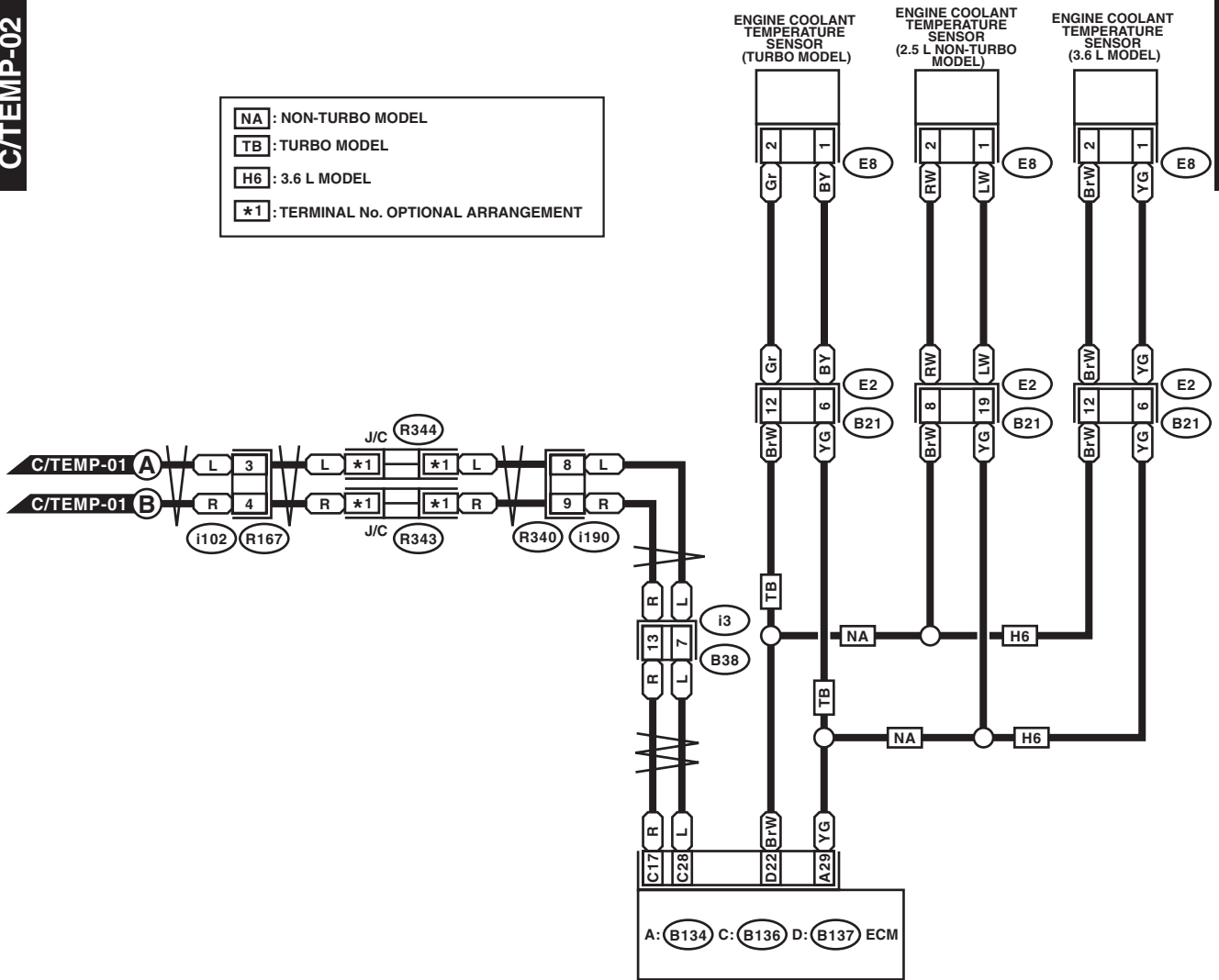
Coolant Temperature System

WIRING SYSTEM

C/TEMP-02

C/TEMP-02

NA	: NON-TURBO MODEL
TB	: TURBO MODEL
H6	: 3.6 L MODEL
*1	: TERMINAL No. OPTIONAL ARRANGEMENT



NA: E8 (BROWN)



TB: E8 (BLACK)



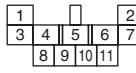
R343



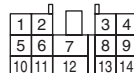
R344



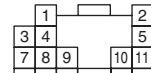
i190



i102



B38



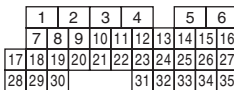
D: B137



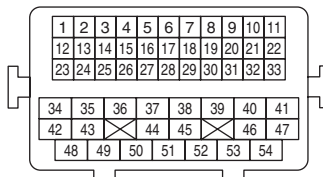
A: B134



C: B136



B21 (BLACK)



WI-25463