

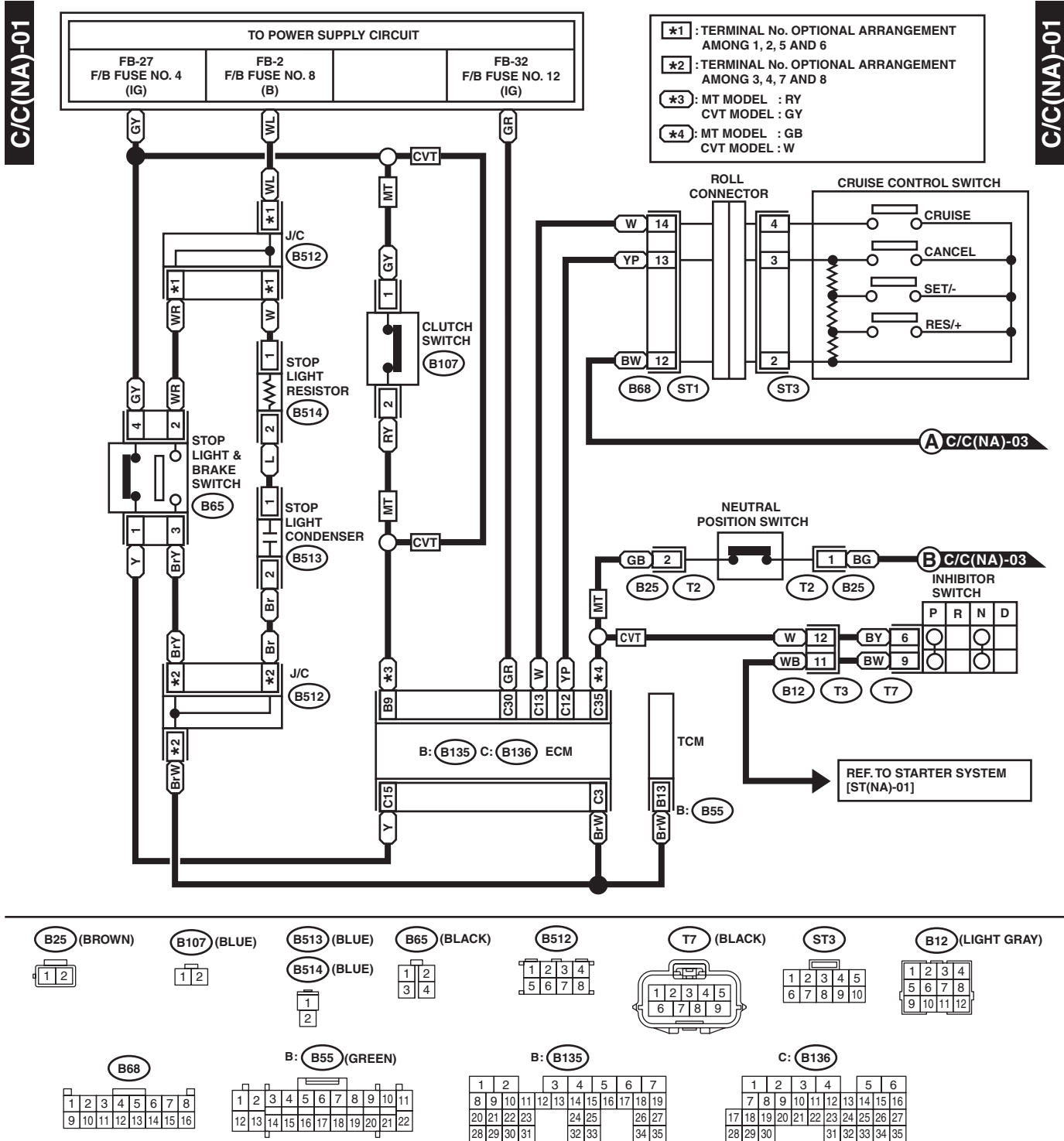
Cruise Control System

WIRING SYSTEM

17. Cruise Control System

A: WIRING DIAGRAM

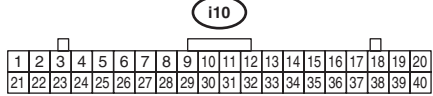
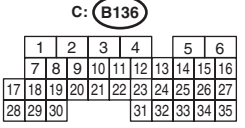
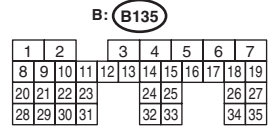
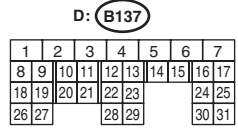
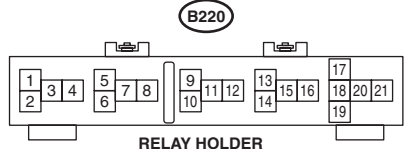
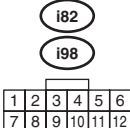
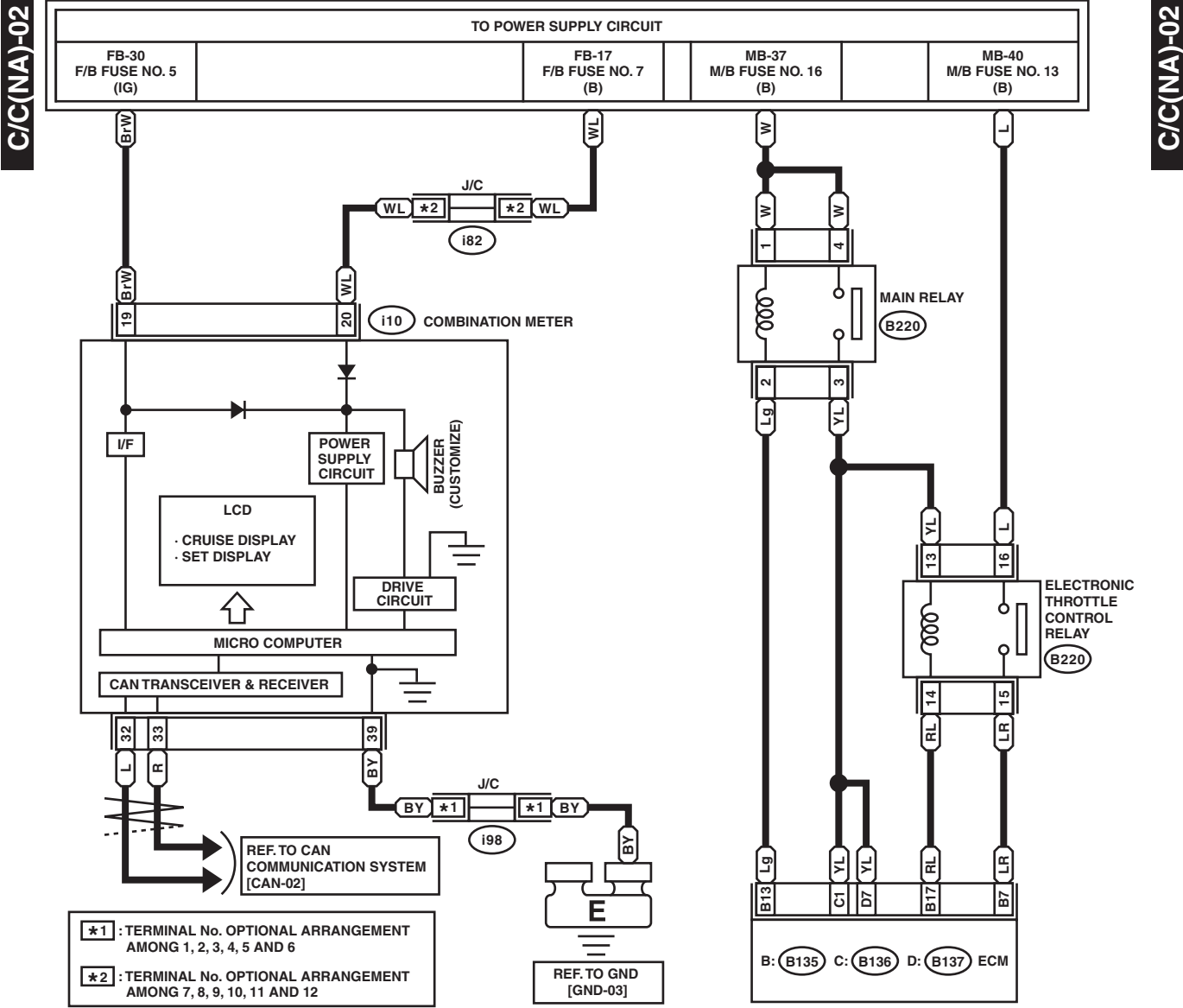
1. 2.5 L NON-TURBO MODEL



WI-25464

Cruise Control System

WIRING SYSTEM



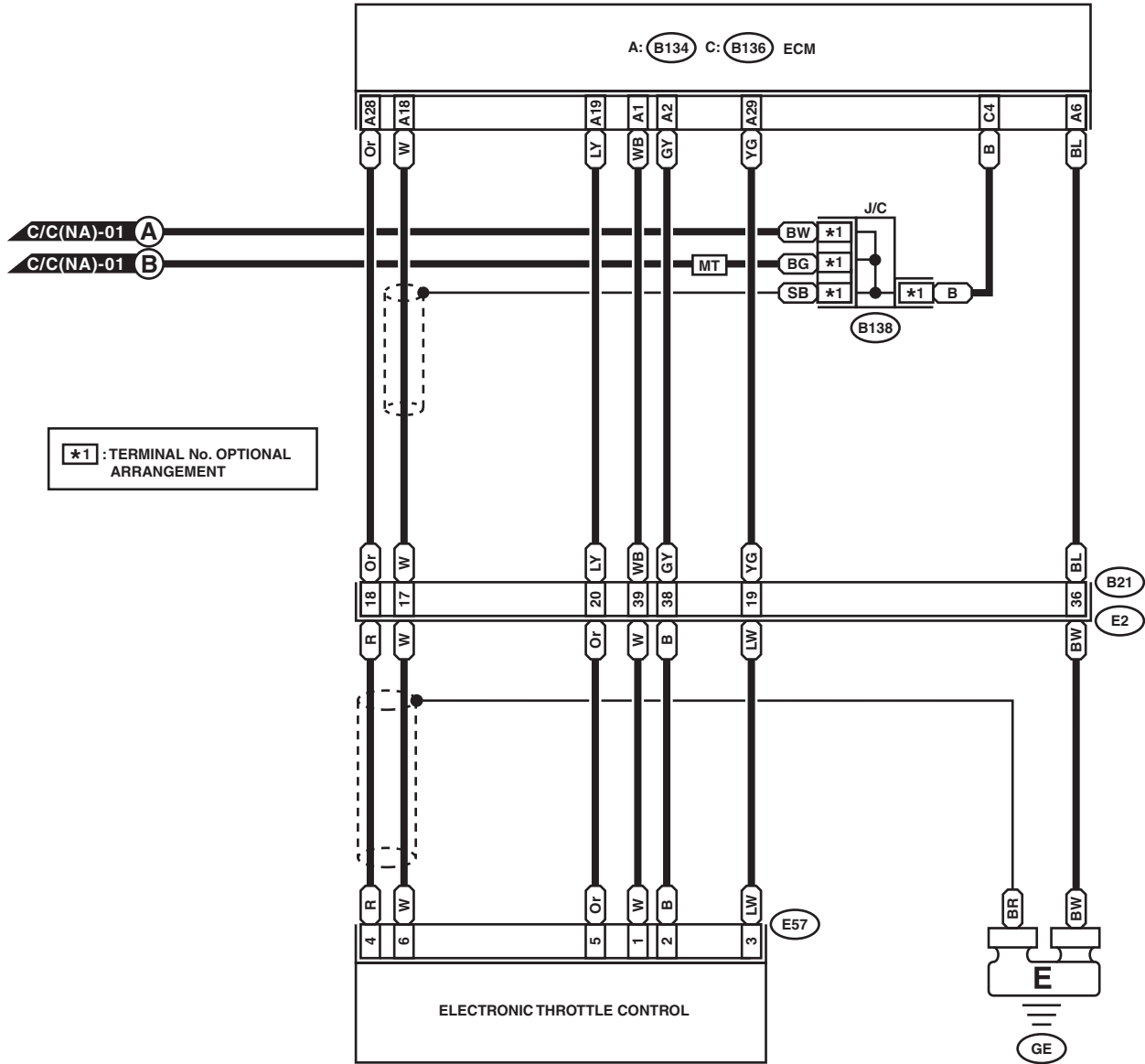
WI-25465

Cruise Control System

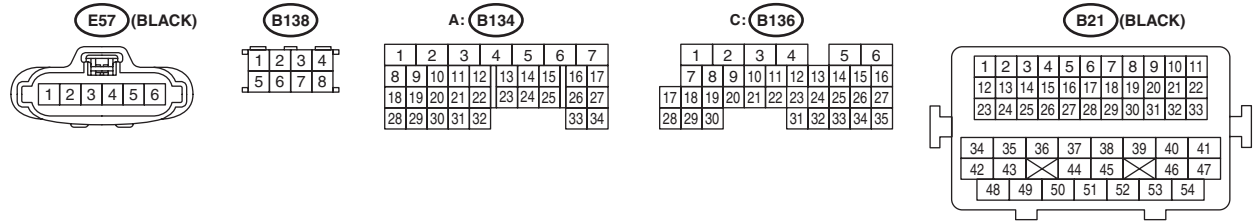
WIRING SYSTEM

C/C(NA)-03

C/C(NA)-03



*1 : TERMINAL No. OPTIONAL ARRANGEMENT



WI-25466

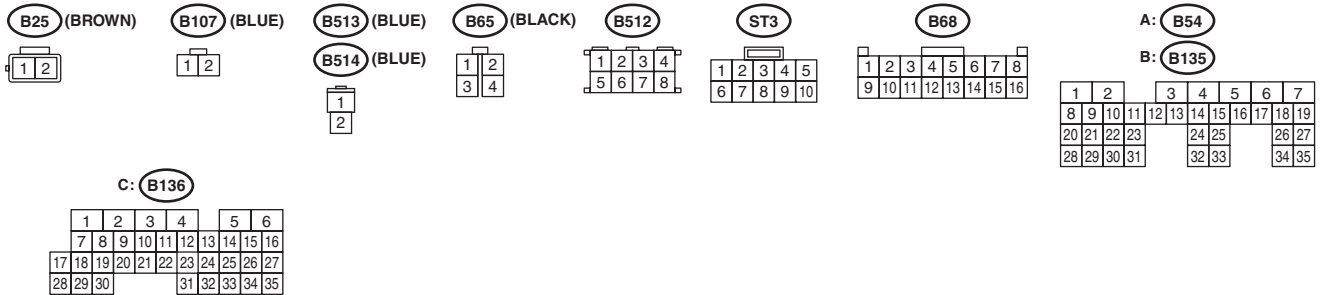
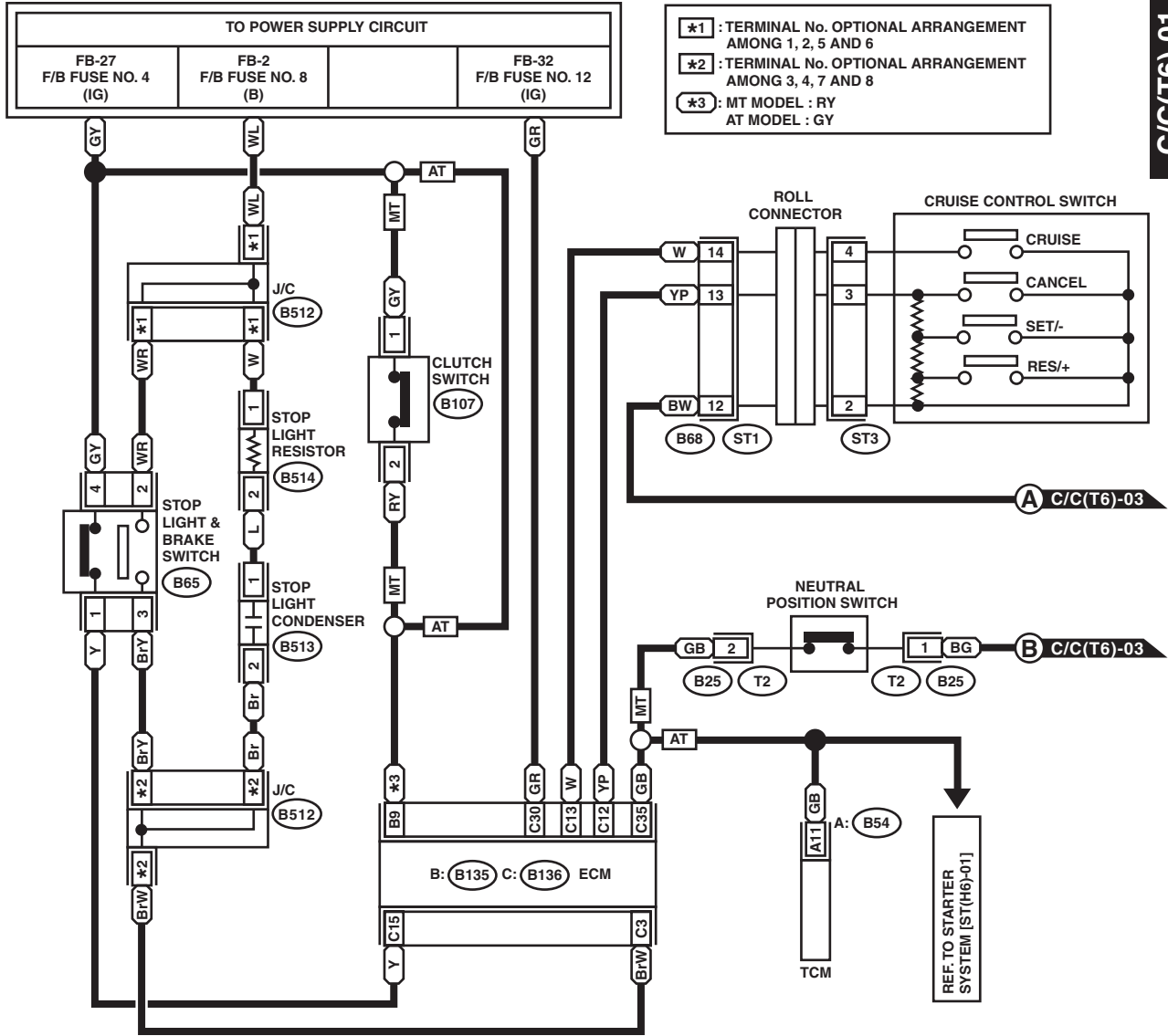
Cruise Control System

WIRING SYSTEM

2. EXCEPT FOR 2.5 L NON-TURBO MODEL

C/C(T6)-01

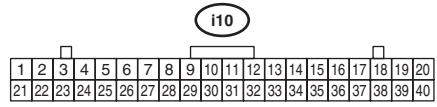
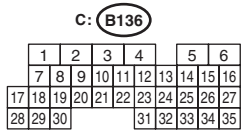
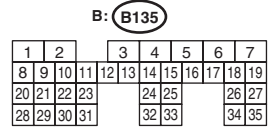
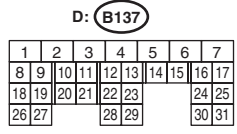
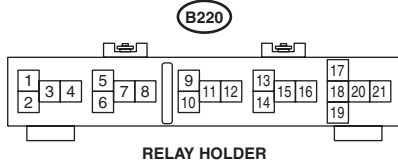
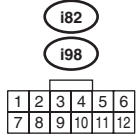
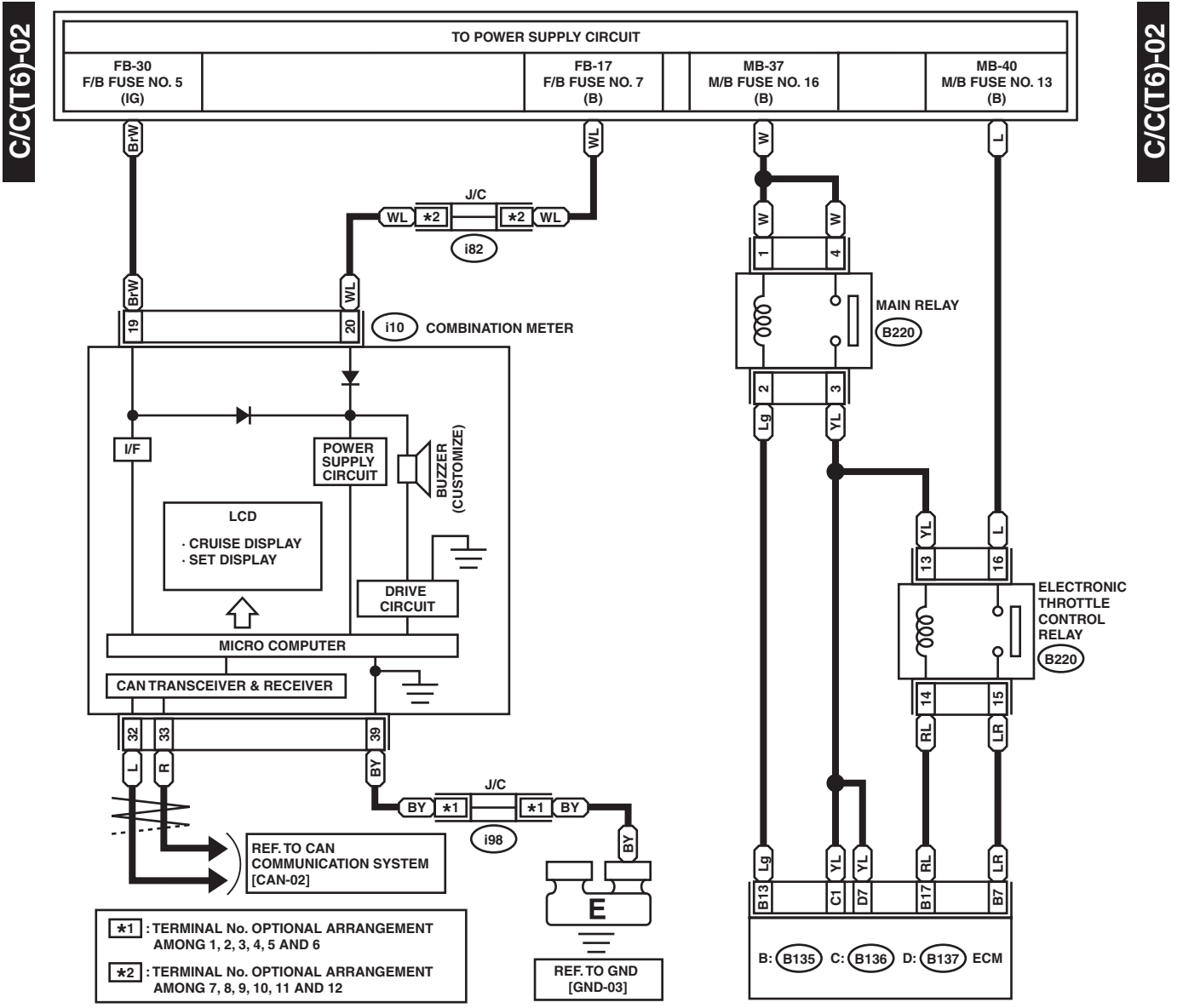
C/C(T6)-01



WI-25467

Cruise Control System

WIRING SYSTEM



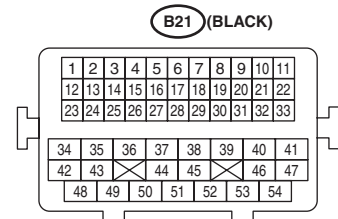
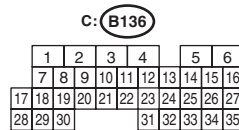
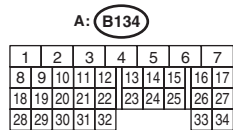
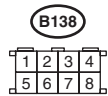
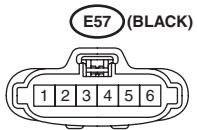
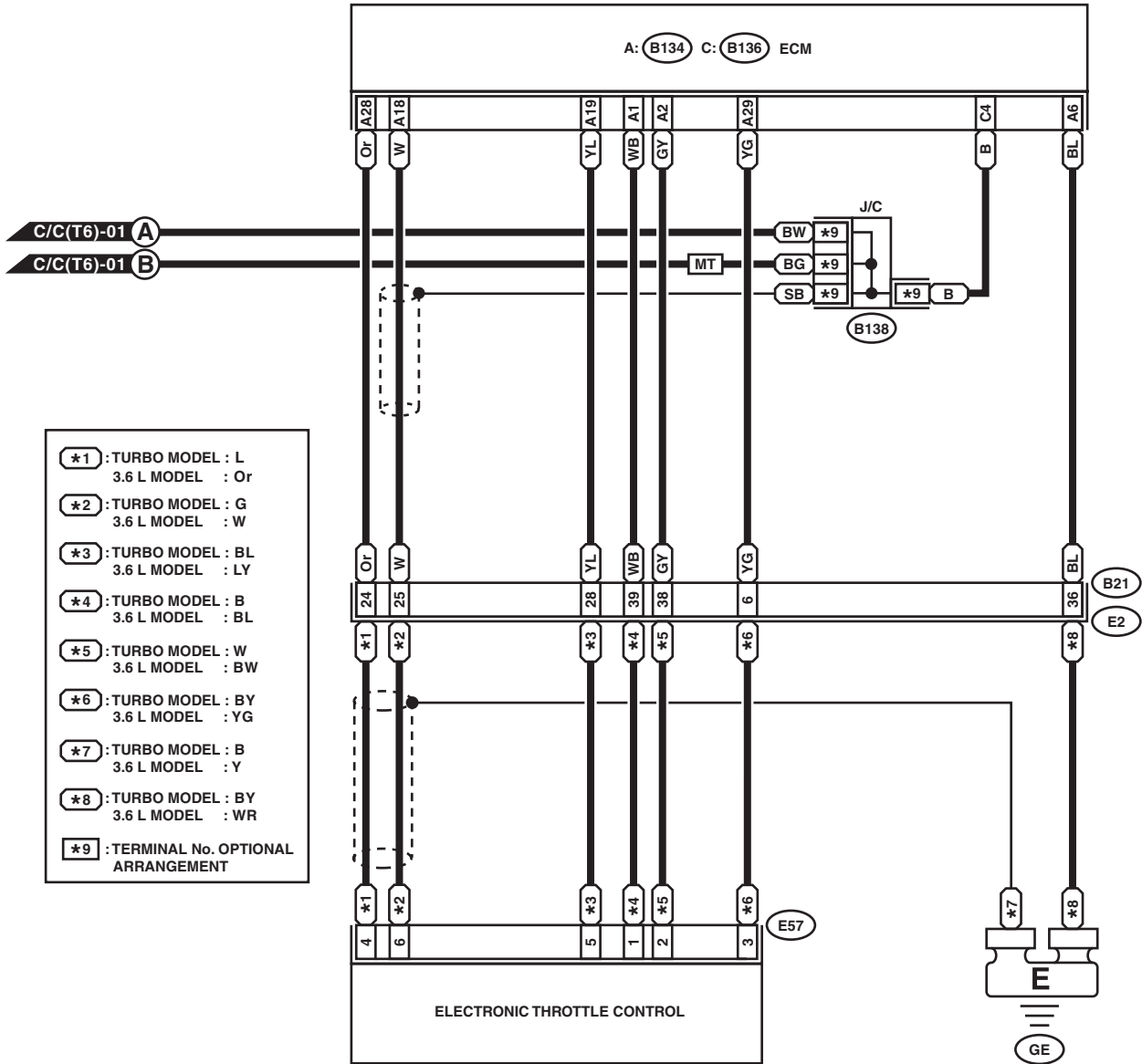
WI-25468

Cruise Control System

WIRING SYSTEM

C/C(T6)-03

C/C(T6)-03



WI-25469