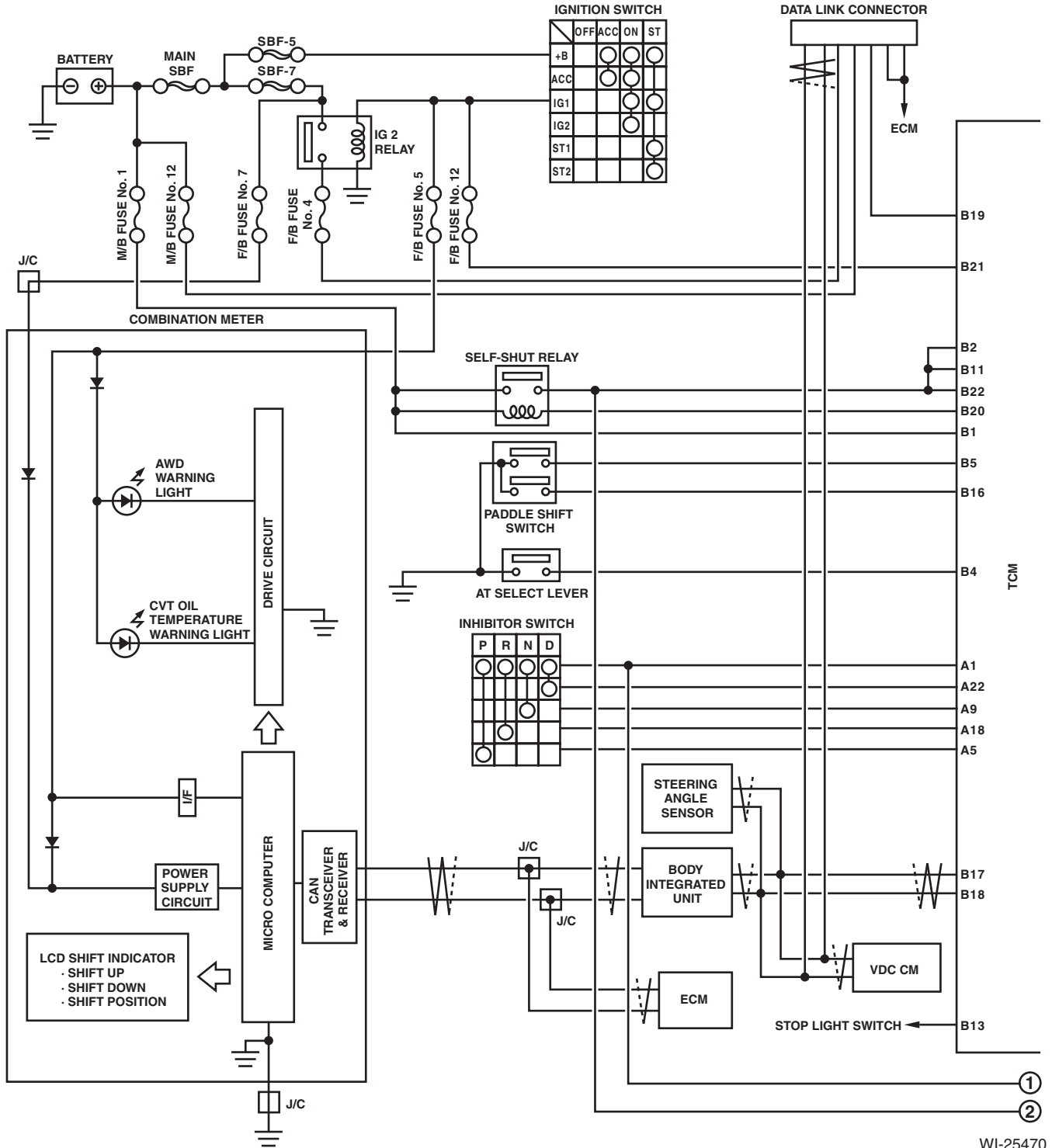


CVT Control System

WIRING SYSTEM

18. CVT Control System

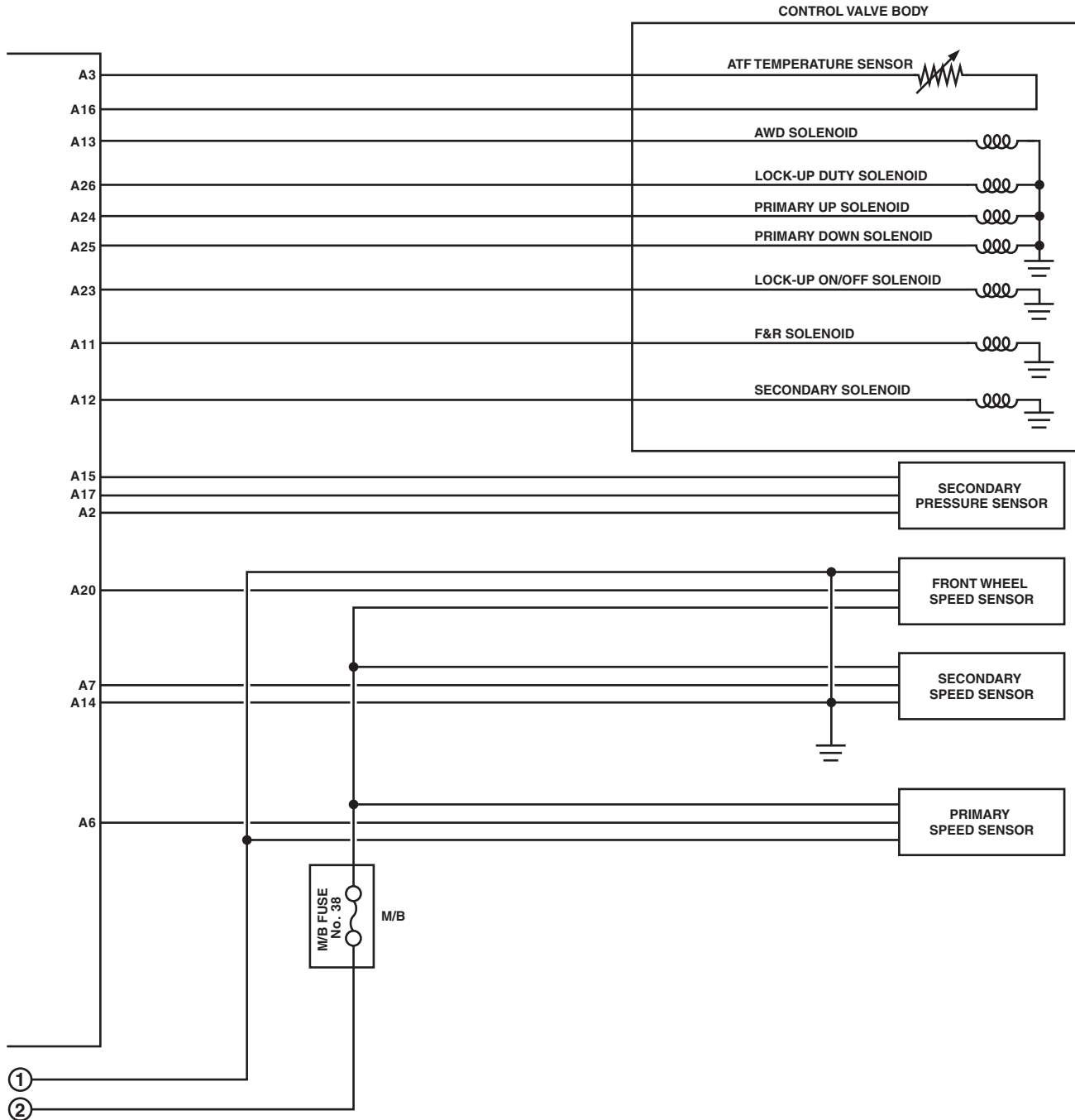
A: WIRING DIAGRAM



WI-25470

CVT Control System

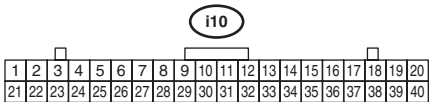
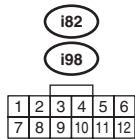
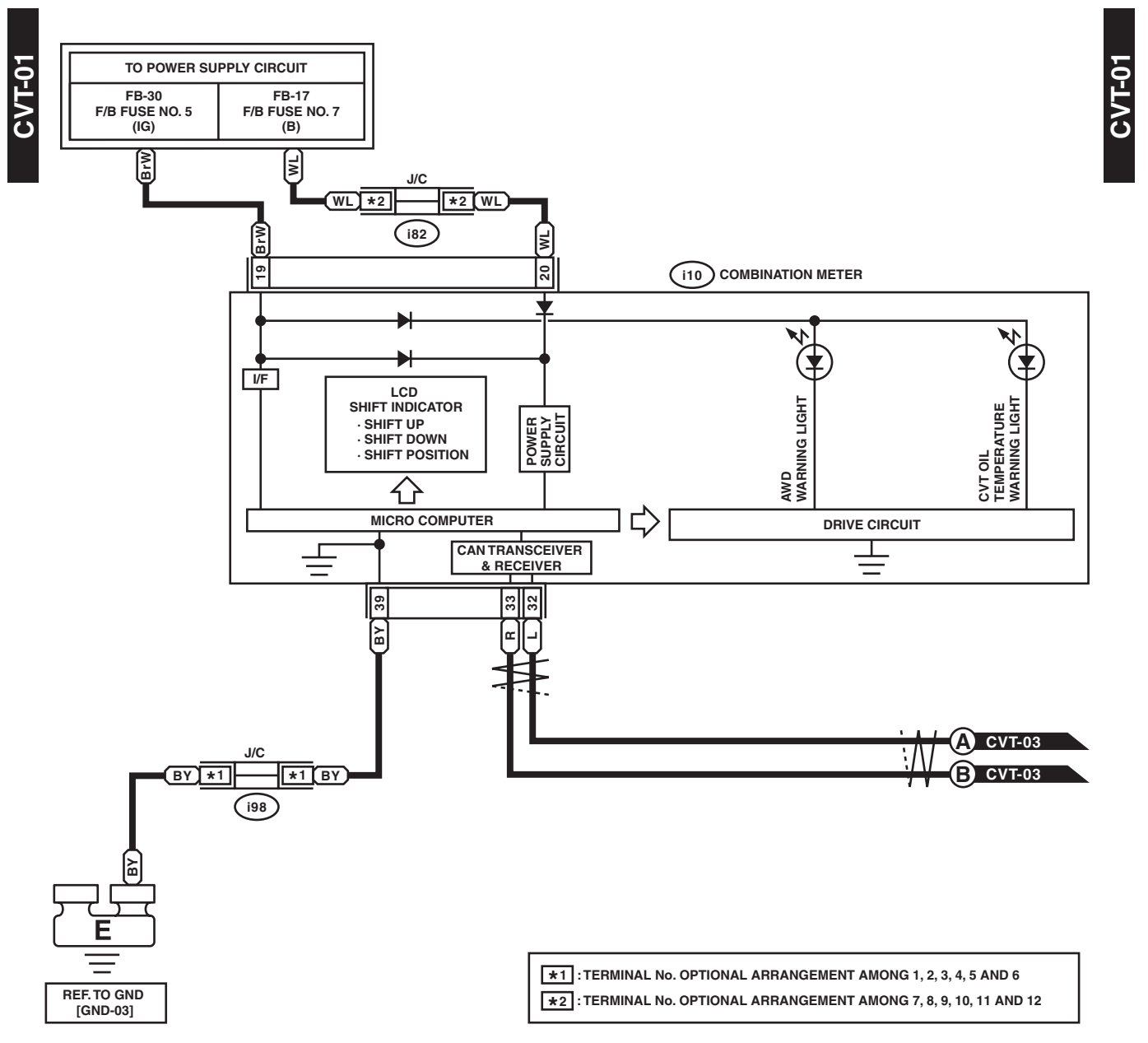
WIRING SYSTEM



WI-25471

CVT Control System

WIRING SYSTEM



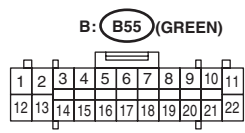
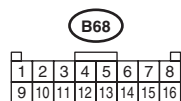
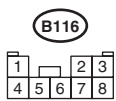
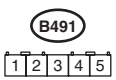
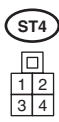
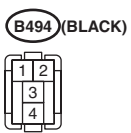
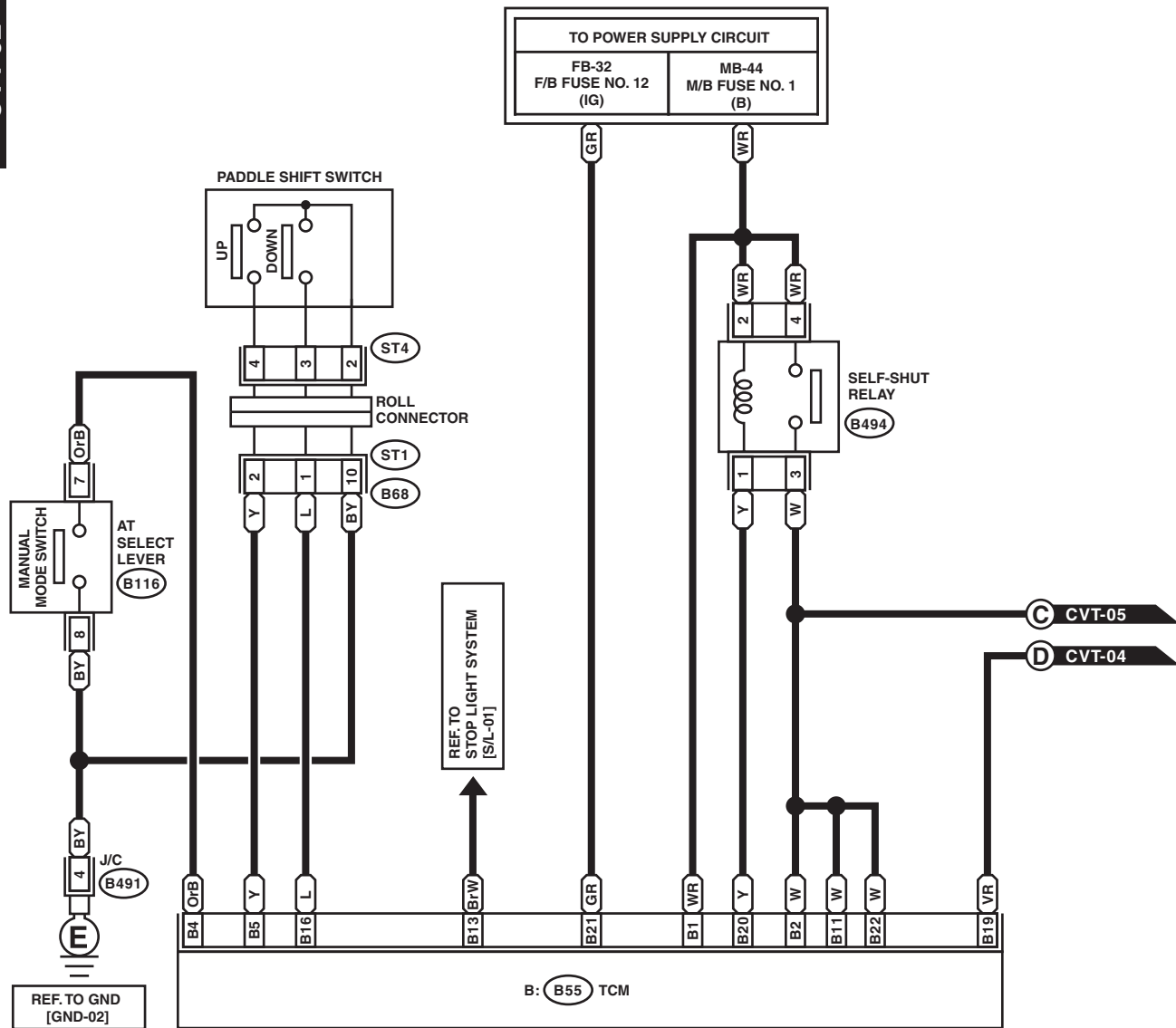
WI-25472

CVT Control System

WIRING SYSTEM

CVT-02

CVT-02



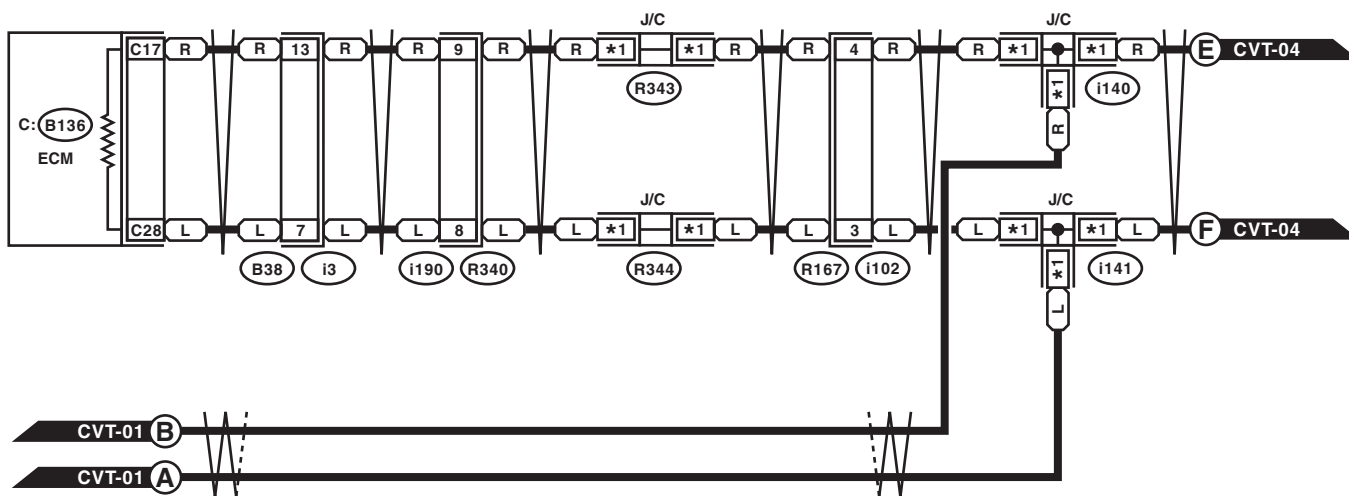
WI-25473

CVT Control System

WIRING SYSTEM

CVT-03

CVT-03



*1: TERMINAL No. OPTIONAL ARRANGEMENT

i140 R343

i141 R344

1	2	3	4
---	---	---	---

i190

1	2		3	4
3	4	5	6	7
8	9	10	11	

i102

1	2		3	4
5	6	7	8	9
10	11	12	13	14

B38

1	2					
3	4			5	6	
7	8	9		10	11	12
13	14	15	16	17	18	19

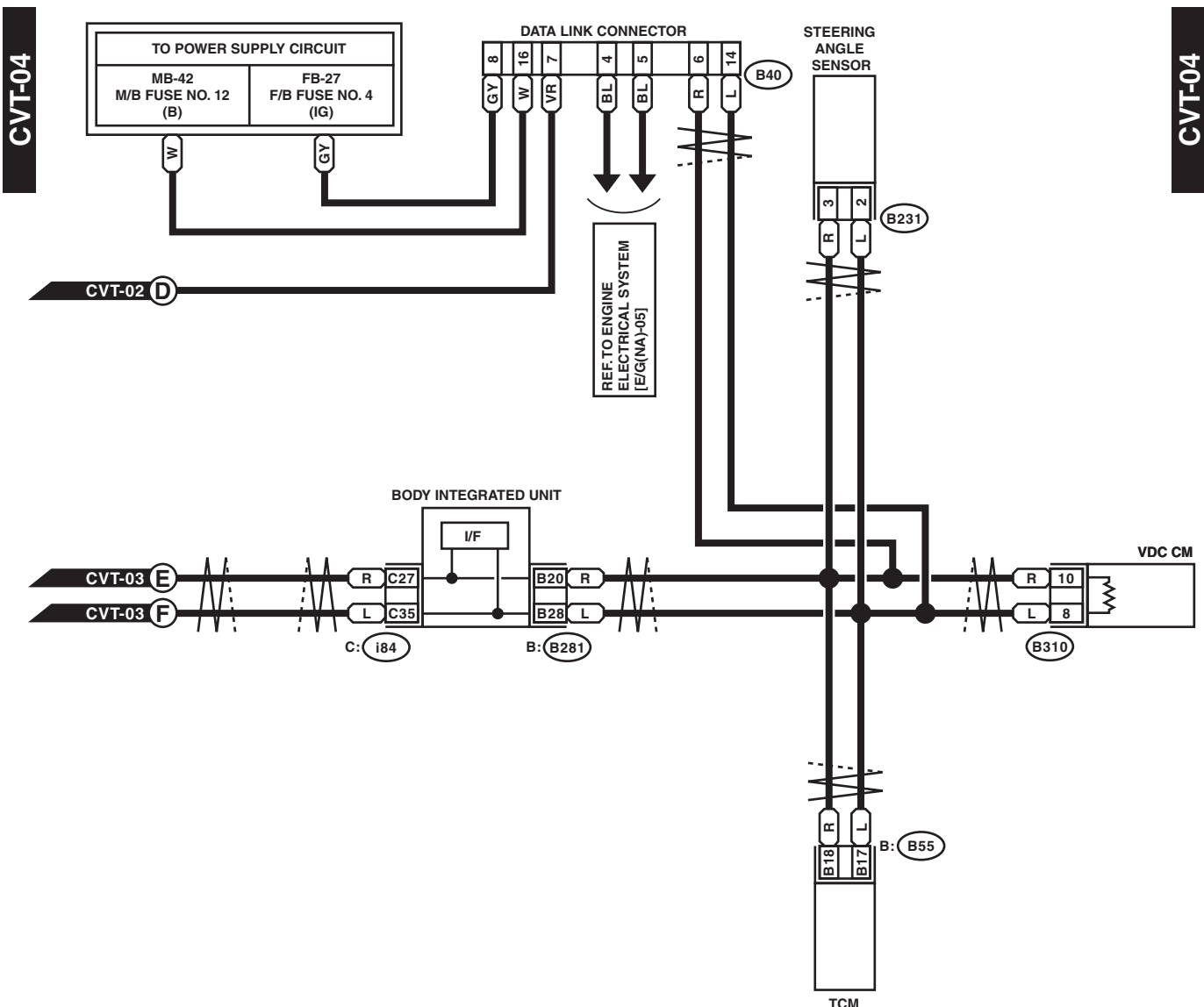
C: B136

1	2	3	4	5	6					
7	8	9	10	11	12	13	14	15	16	
17	18	19	20	21	22	23	24	25	26	27
28	29	30				31	32	33	34	35

WI-25474

CVT Control System

WIRING SYSTEM



B231

1	2	3	4	5
---	---	---	---	---

B40

1	2	3	4	5	6	7	8
9	10	11	12	13	14	15	16

B: B55 (GREEN)

1	2	3	4	5	6	7	8	9	10	11
12	13	14	15	16	17	18	19	20	21	22

B310 (BLACK)

1	2	3	4	5	6	7	8	9	10	11	12	13
14	15	16	17	18	19	20	21	22	23	24	25	26

B: B281

1	2	3	4	5	6	7					
8	9	10	11	12	13	14	15	16	17	18	19
20	21	22	23	24	25	26	27				
28	29	30	31	32	33	34	35				

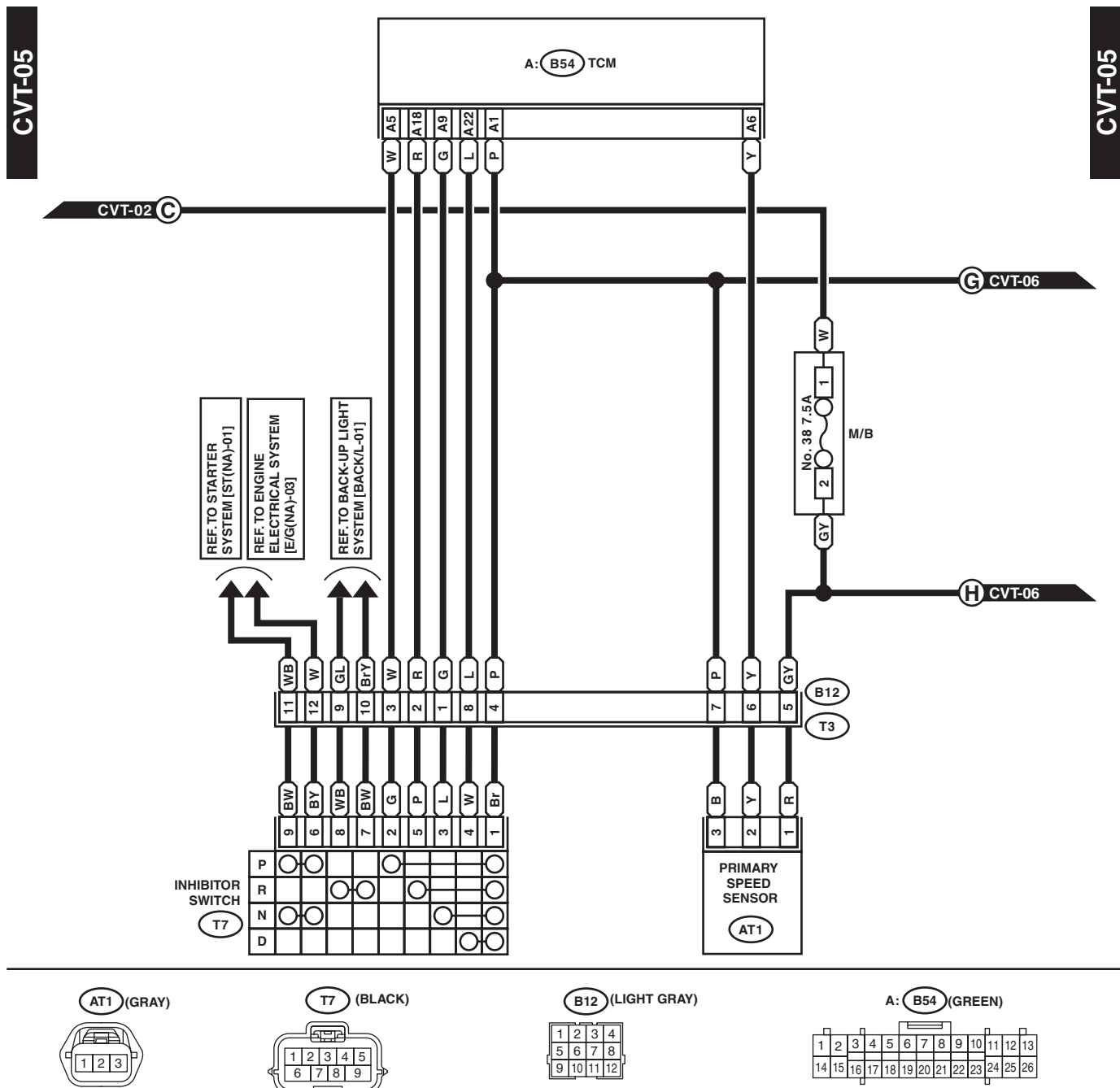
C: i84

1	2	3	4	5	6					
7	8	9	10	11	12	13	14	15	16	
17	18	19	20	21	22	23	24	25	26	27
28	29	30	31	32	33	34	35			

WI-25475

CVT Control System

WIRING SYSTEM



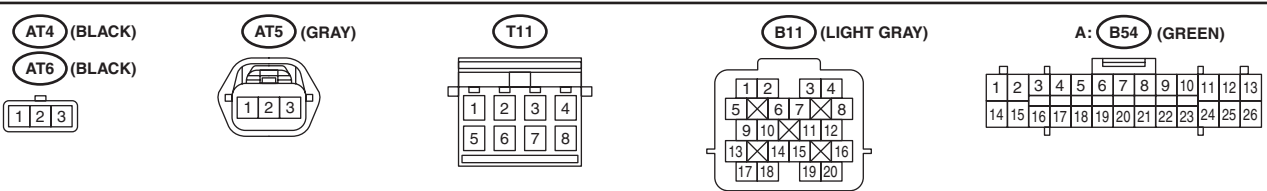
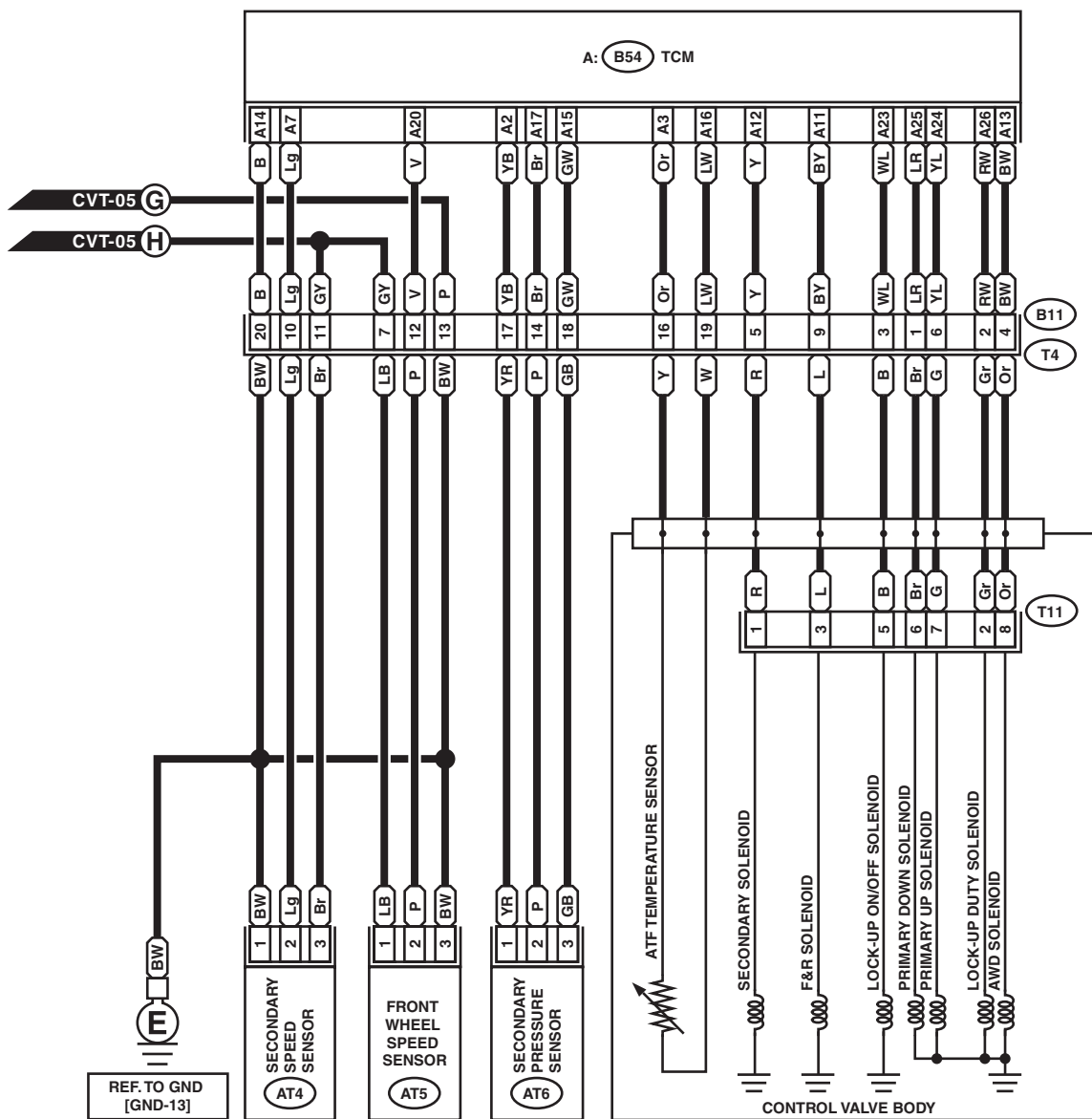
WI-25476

CVT Control System

WIRING SYSTEM

CVT-06

CVT-06



WI-25477