

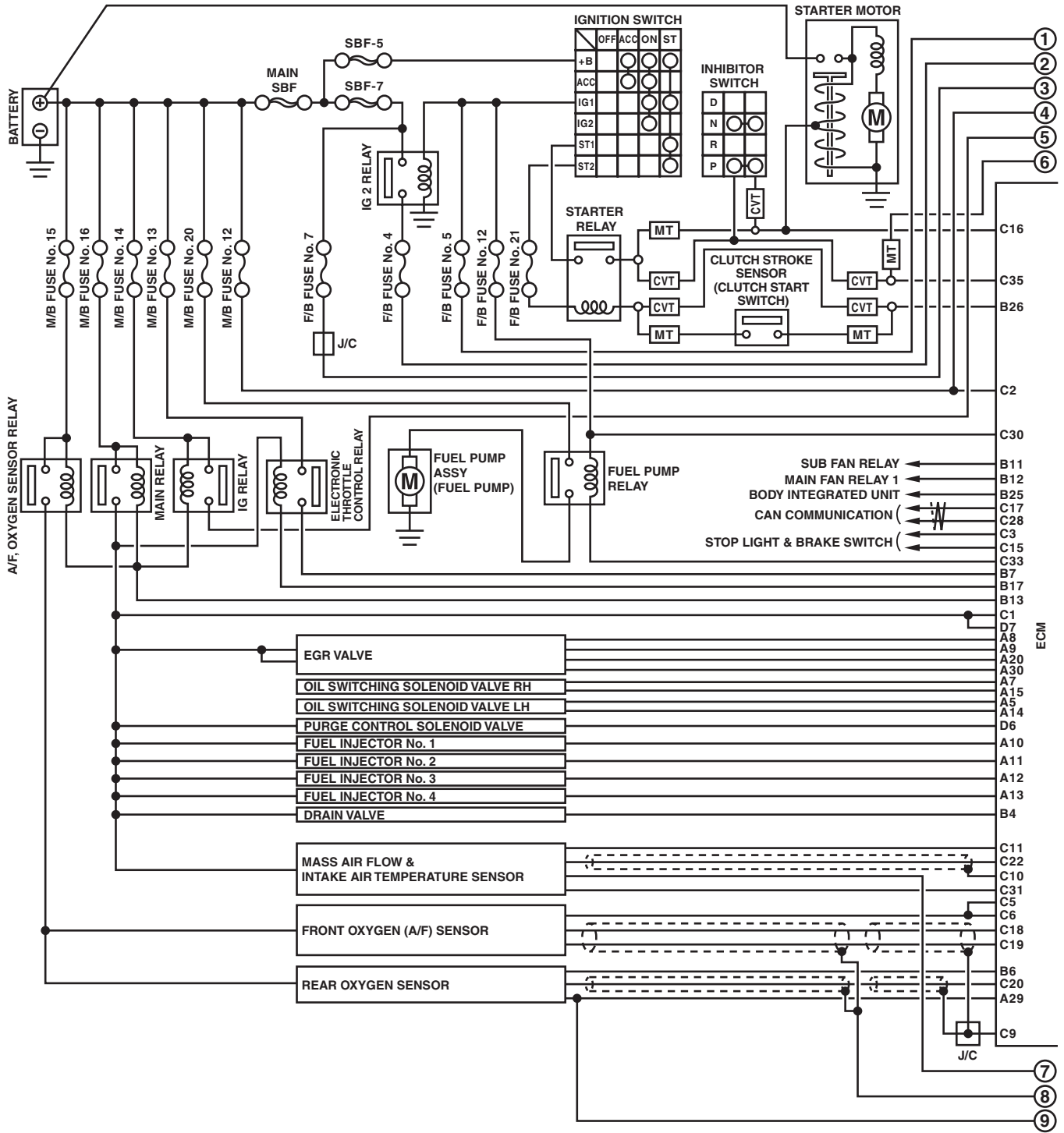
# Engine Electrical System

## WIRING SYSTEM

### 19.Engine Electrical System

#### A: WIRING DIAGRAM

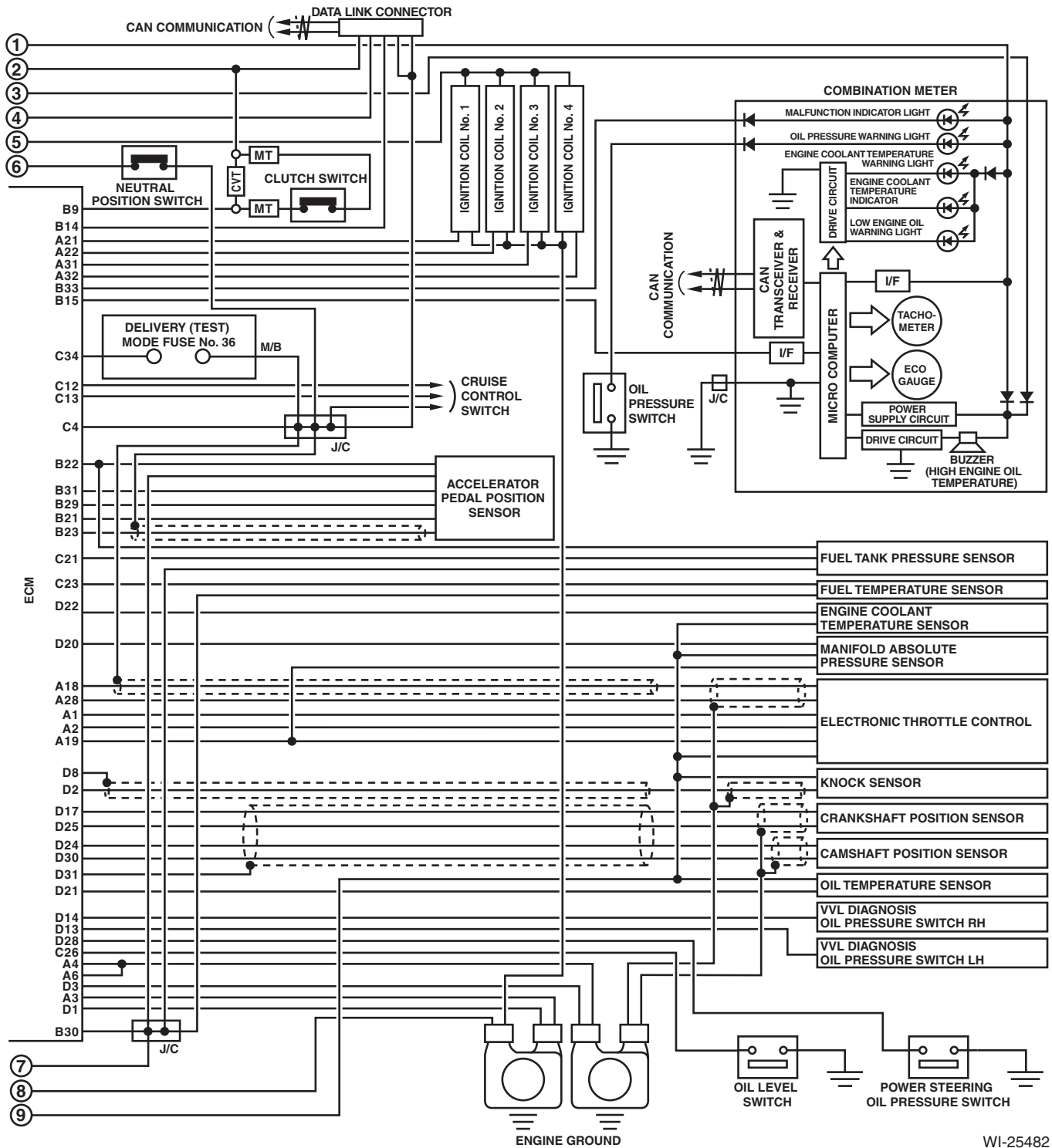
##### 1. 2.5 L NON-TURBO MODEL



WI-25481

# Engine Electrical System

WIRING SYSTEM



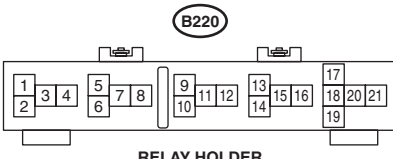
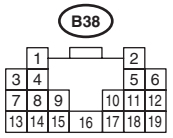
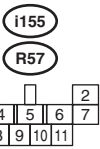
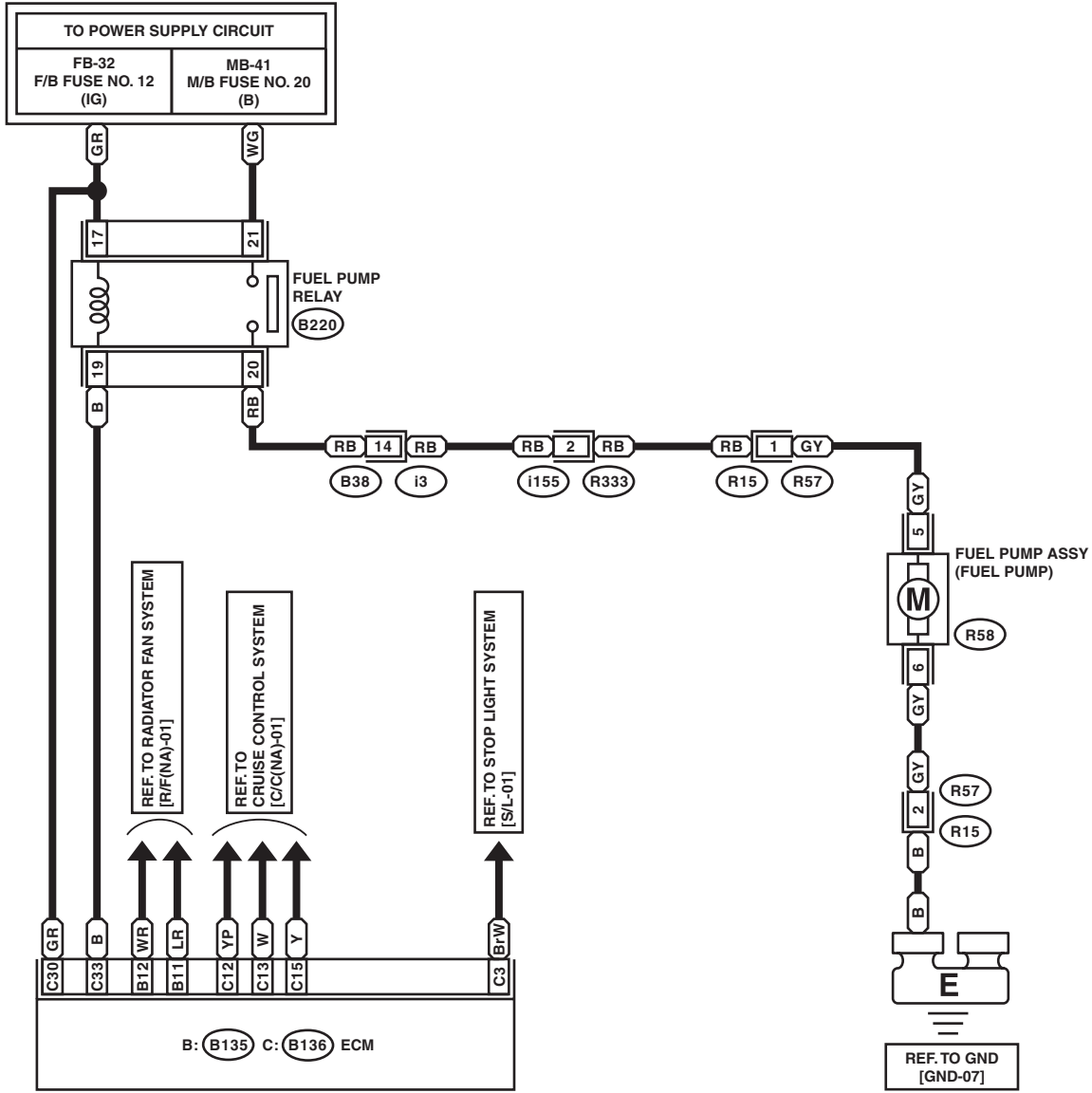
WI-25482

# Engine Electrical System

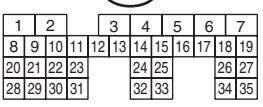
## WIRING SYSTEM

E/G(NA)-01

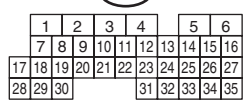
E/G(NA)-01



**B: B135**



**C: C136**



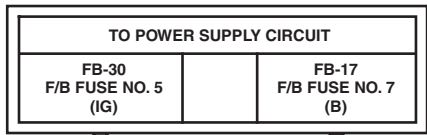
WI-25483

# Engine Electrical System

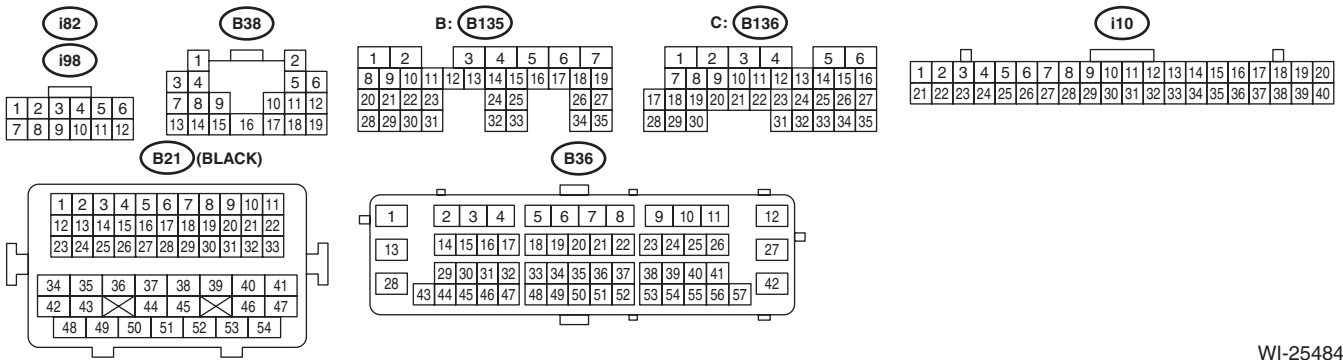
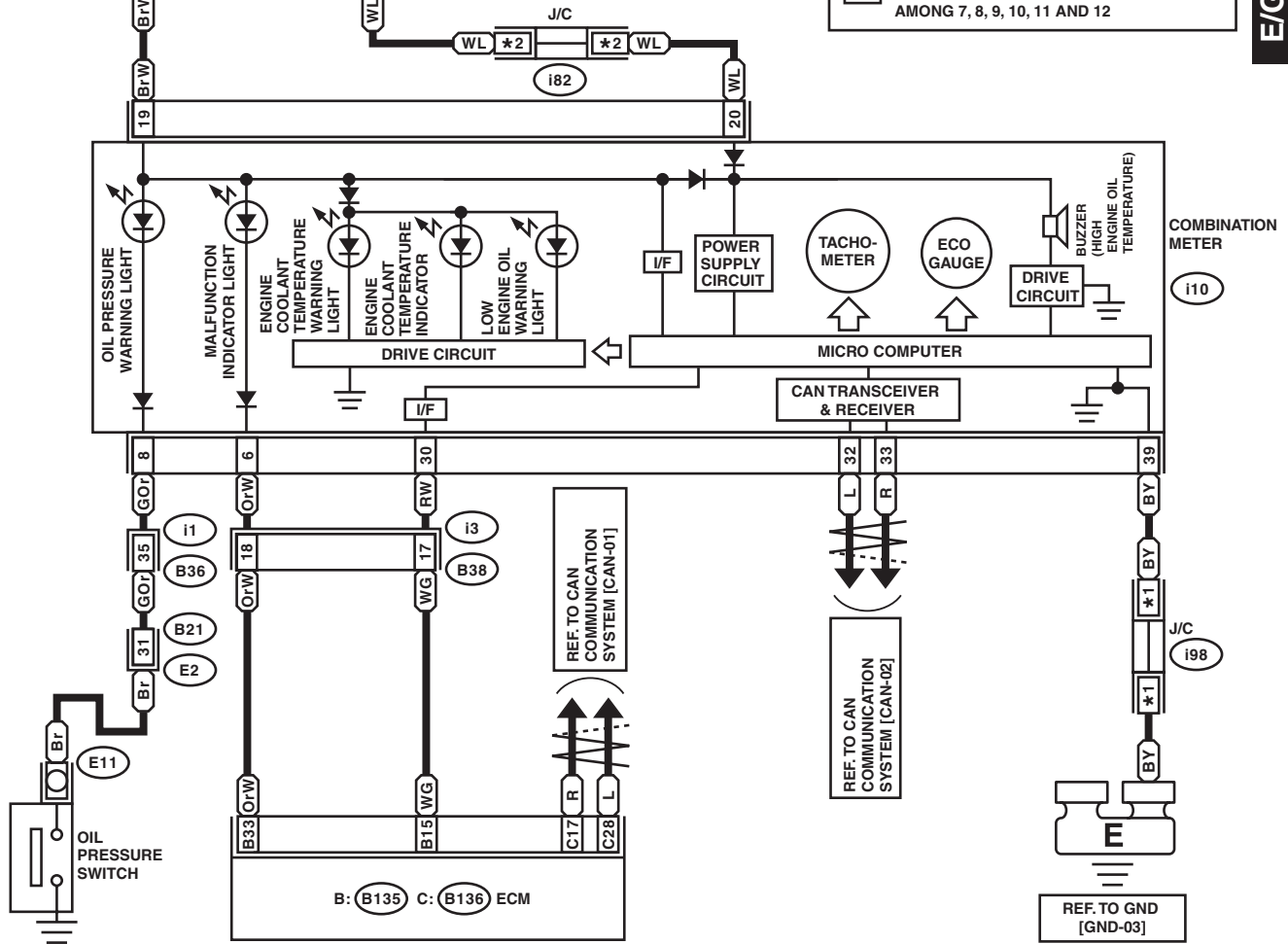
WIRING SYSTEM

E/G(NA)-02

E/G(NA)-02



\*1 : TERMINAL No. OPTIONAL ARRANGEMENT AMONG 1, 2, 3, 4, 5 AND 6  
\*2 : TERMINAL No. OPTIONAL ARRANGEMENT AMONG 7, 8, 9, 10, 11 AND 12



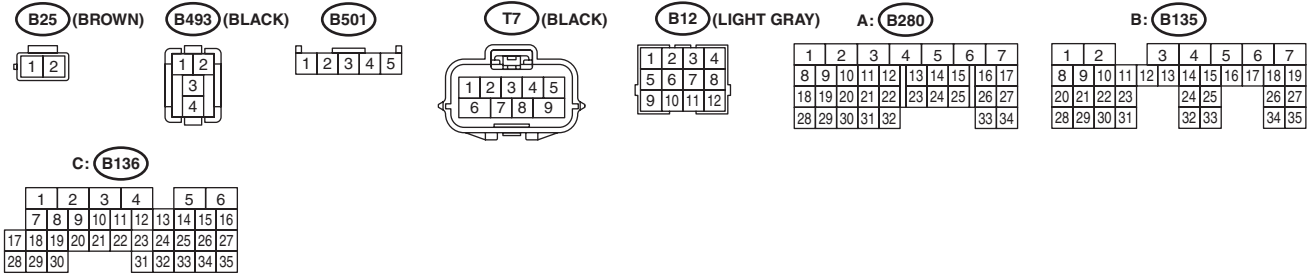
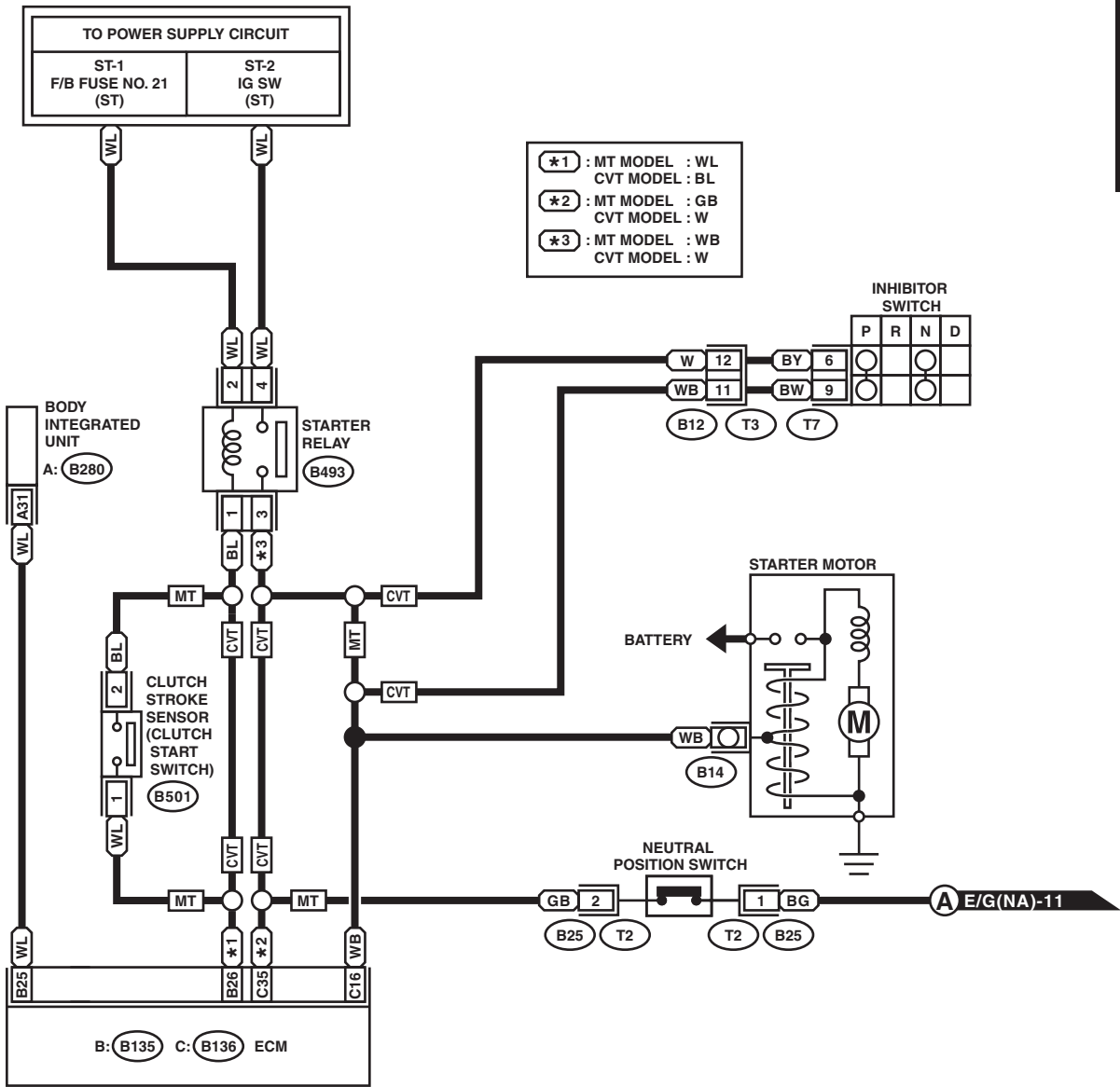
WI-25484

# Engine Electrical System

WIRING SYSTEM

E/G(NA)-03

E/G(NA)-03



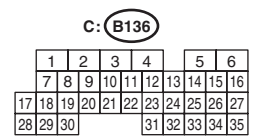
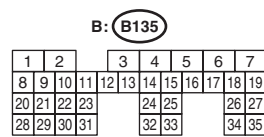
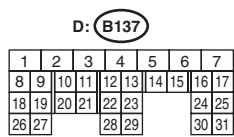
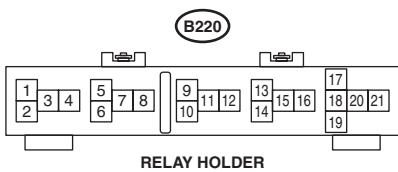
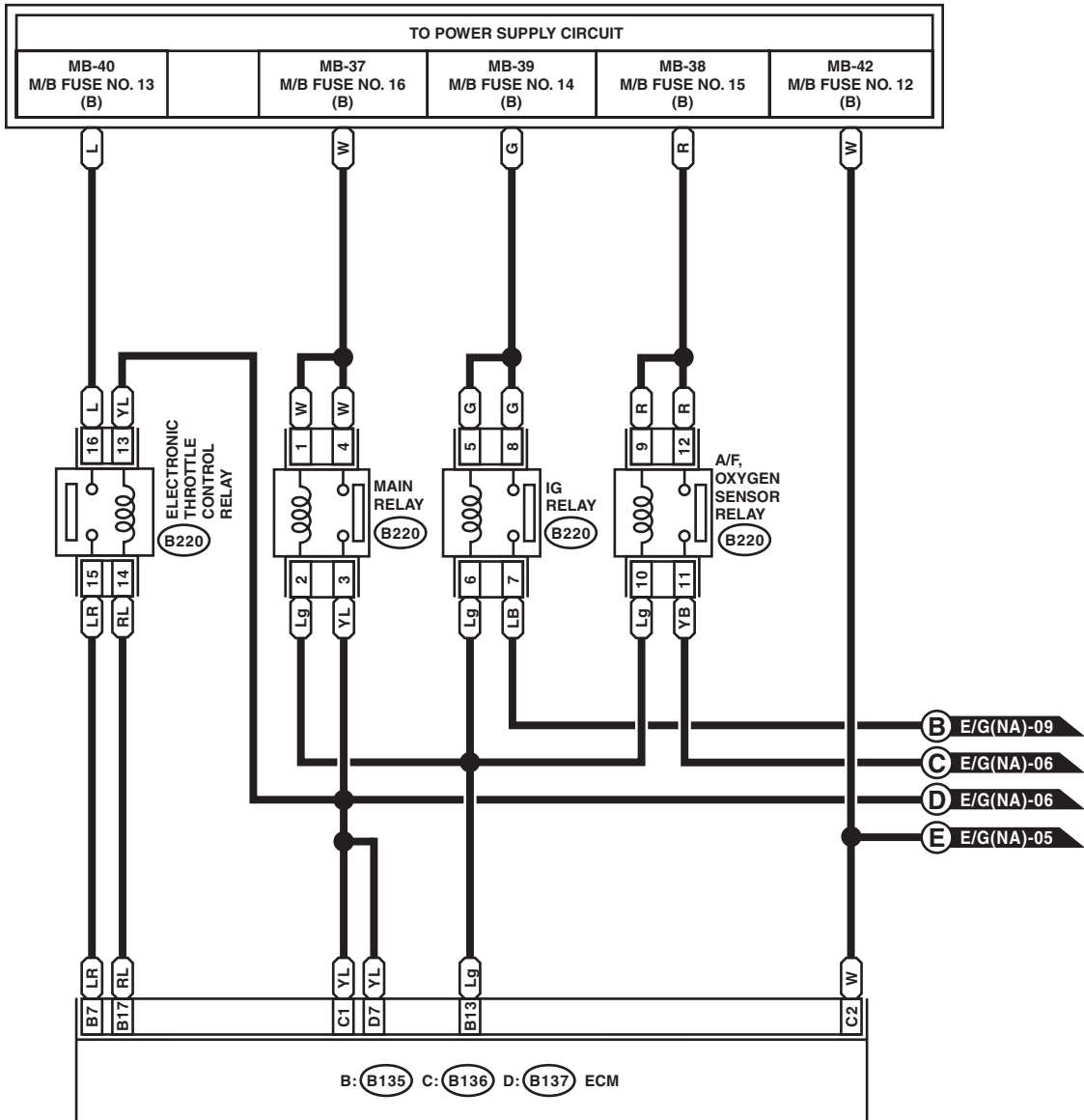
WI-25485

# Engine Electrical System

WIRING SYSTEM

E/G(NA)-04

E/G(NA)-04



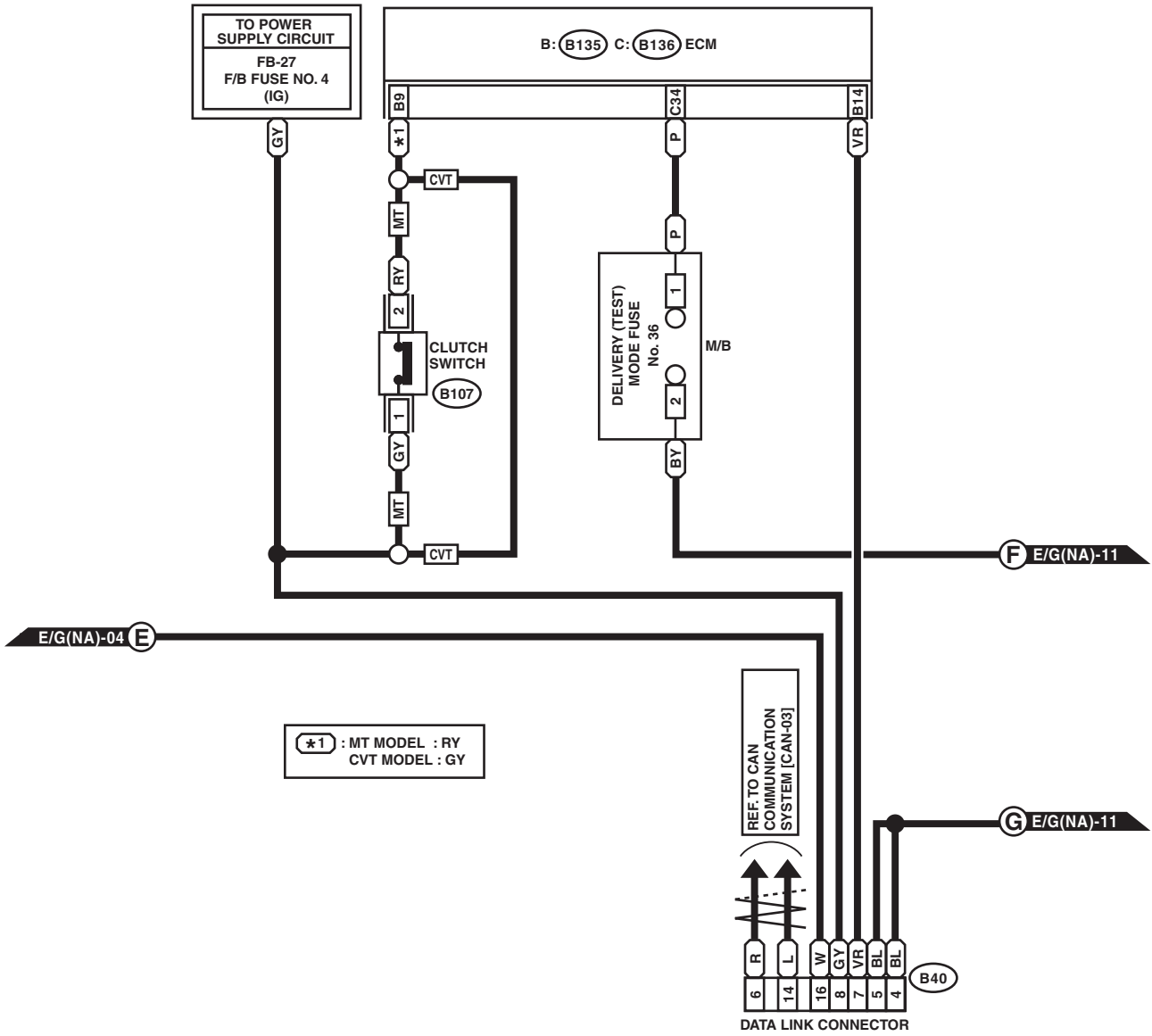
WI-25486

# Engine Electrical System

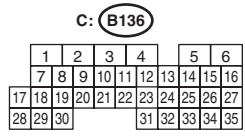
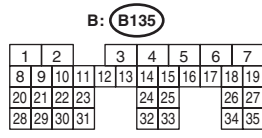
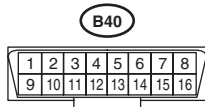
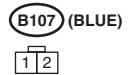
WIRING SYSTEM

E/G(NA)-05

E/G(NA)-05



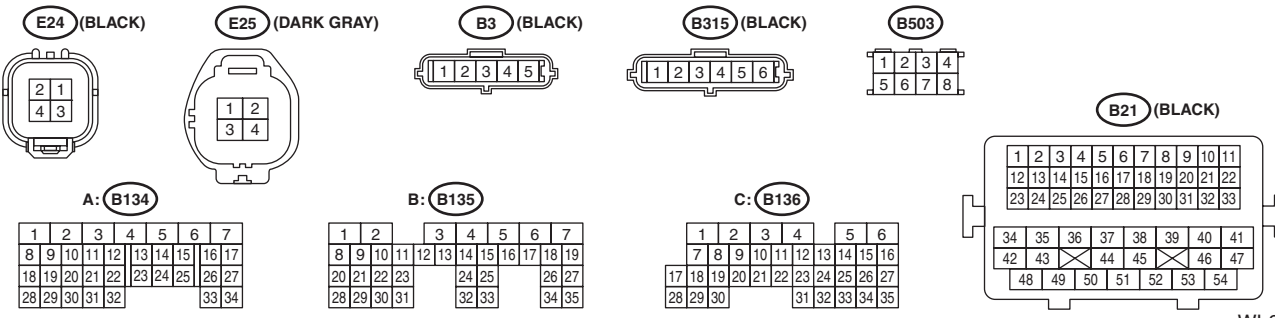
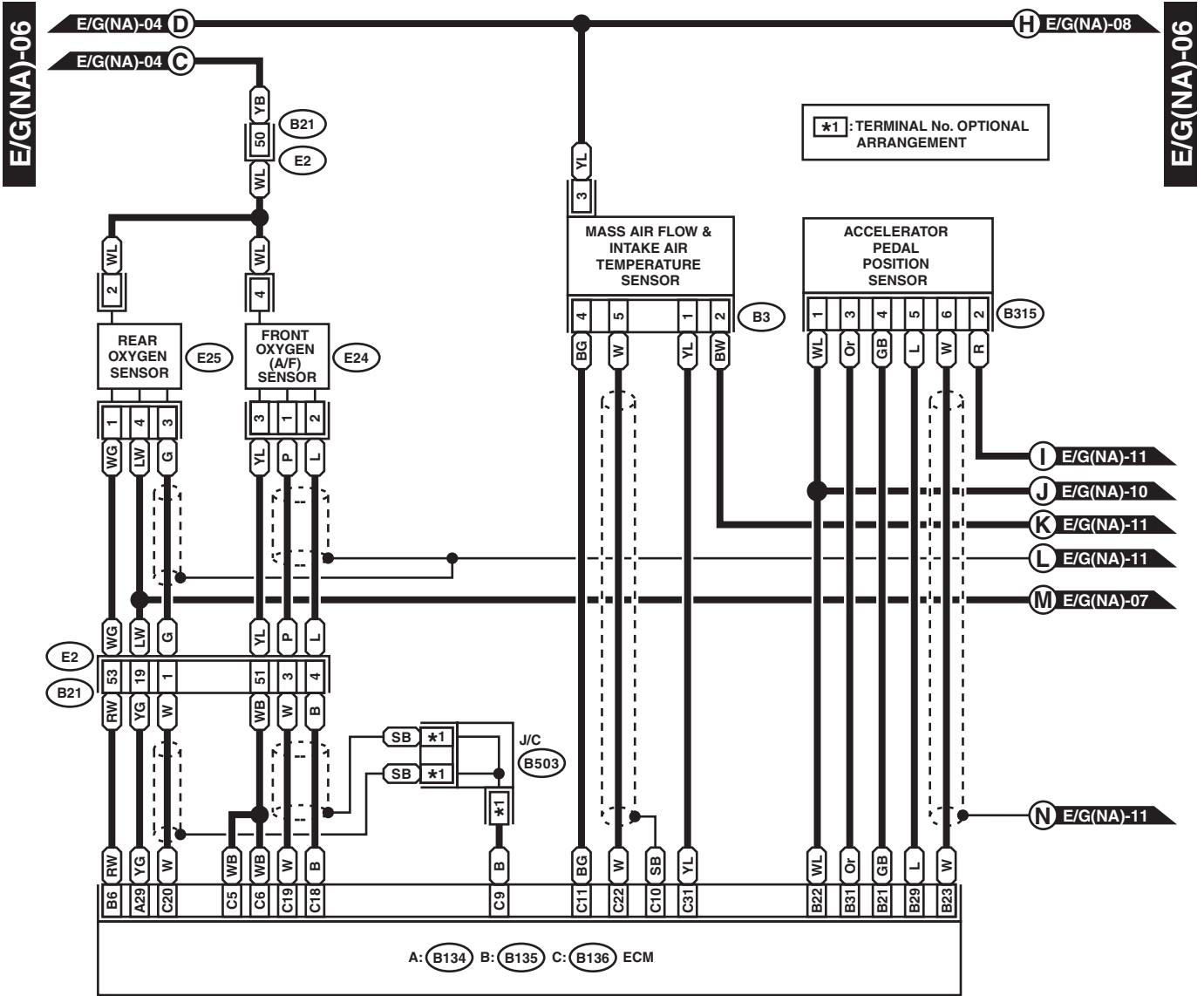
\*1 : MT MODEL : RY  
CVT MODEL : GY



WI-25487

# Engine Electrical System

WIRING SYSTEM



WI-25488

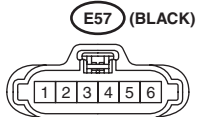
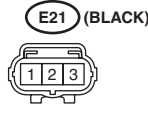
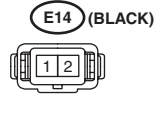
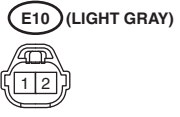
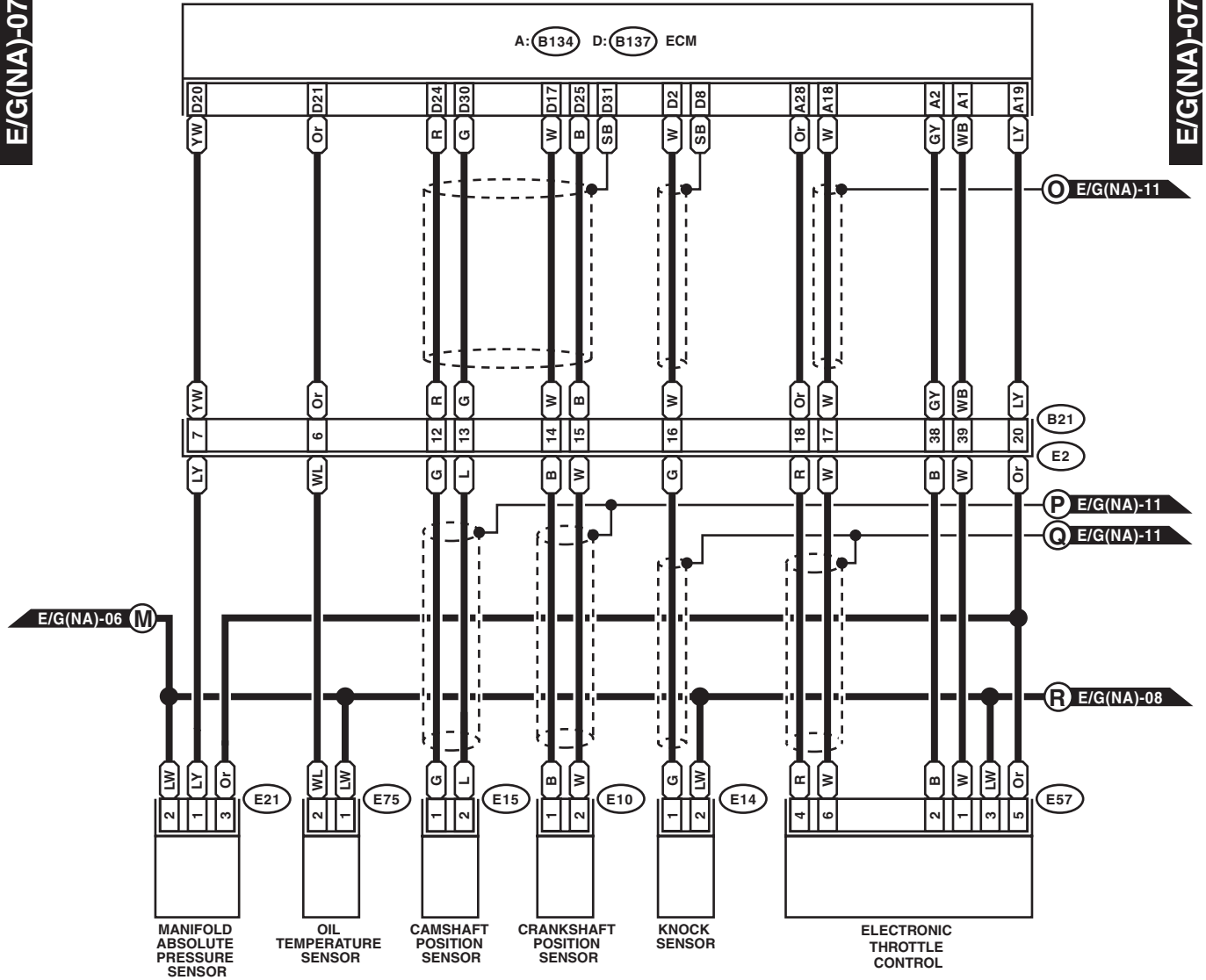


# Engine Electrical System

WIRING SYSTEM

E/G(NA)-07

E/G(NA)-07

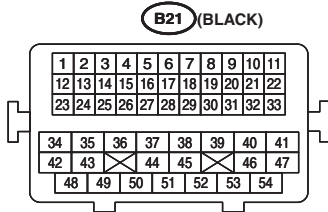


D: (B137)

|    |    |    |    |    |    |    |
|----|----|----|----|----|----|----|
| 1  | 2  | 3  | 4  | 5  | 6  | 7  |
| 8  | 9  | 10 | 11 | 12 | 13 | 14 |
| 15 | 16 | 17 | 18 | 19 | 20 | 21 |
| 22 | 23 | 24 | 25 | 26 | 27 | 28 |
| 29 | 30 | 31 | 32 | 33 | 34 | 35 |

A: (B134)

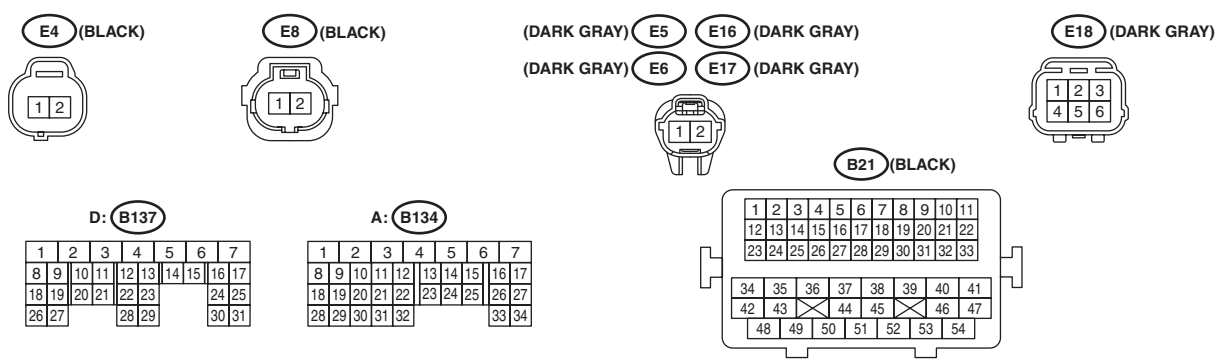
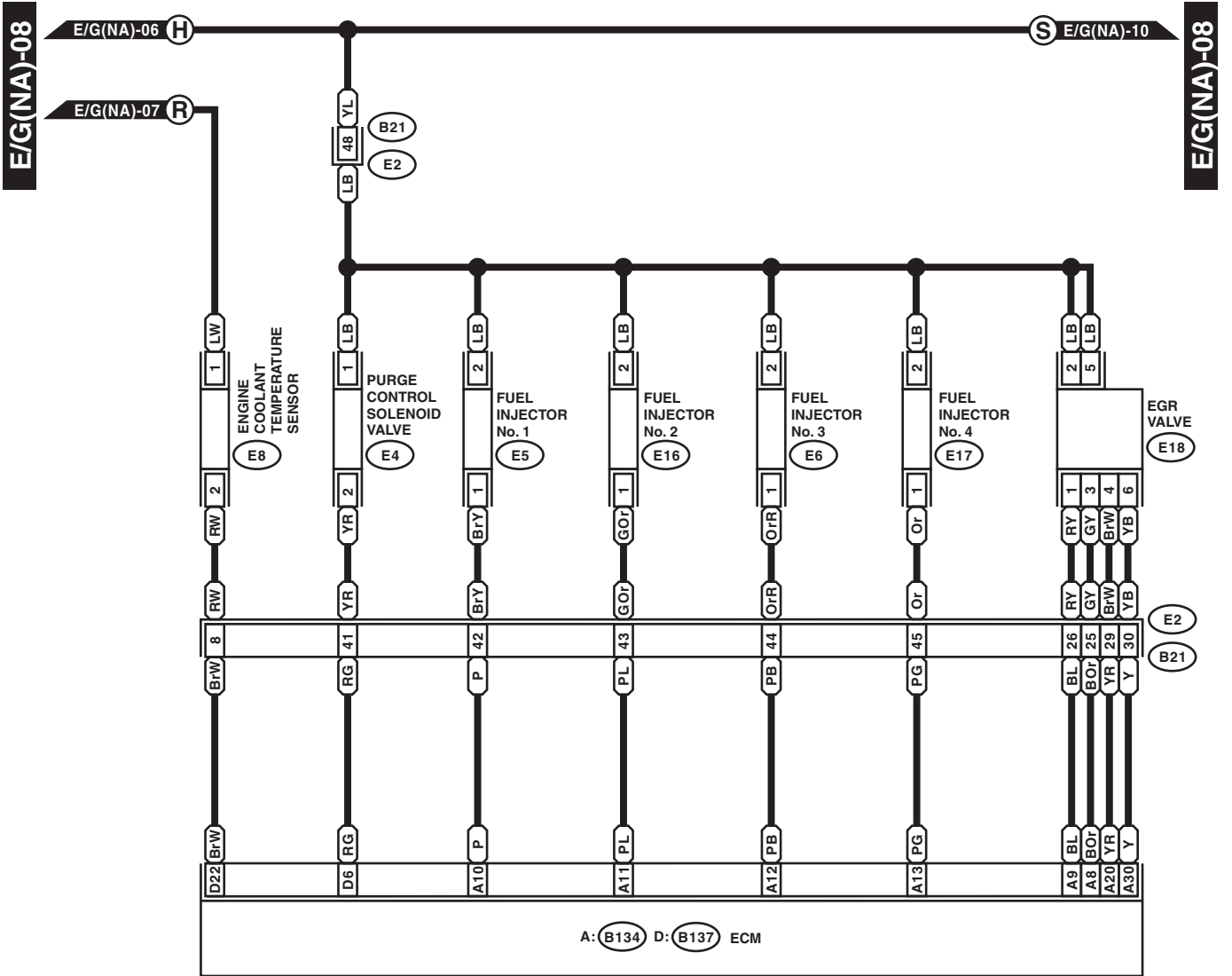
|    |    |    |    |    |    |    |
|----|----|----|----|----|----|----|
| 1  | 2  | 3  | 4  | 5  | 6  | 7  |
| 8  | 9  | 10 | 11 | 12 | 13 | 14 |
| 15 | 16 | 17 | 18 | 19 | 20 | 21 |
| 22 | 23 | 24 | 25 | 26 | 27 | 28 |
| 29 | 30 | 31 | 32 | 33 | 34 | 35 |



WI-25489

# Engine Electrical System

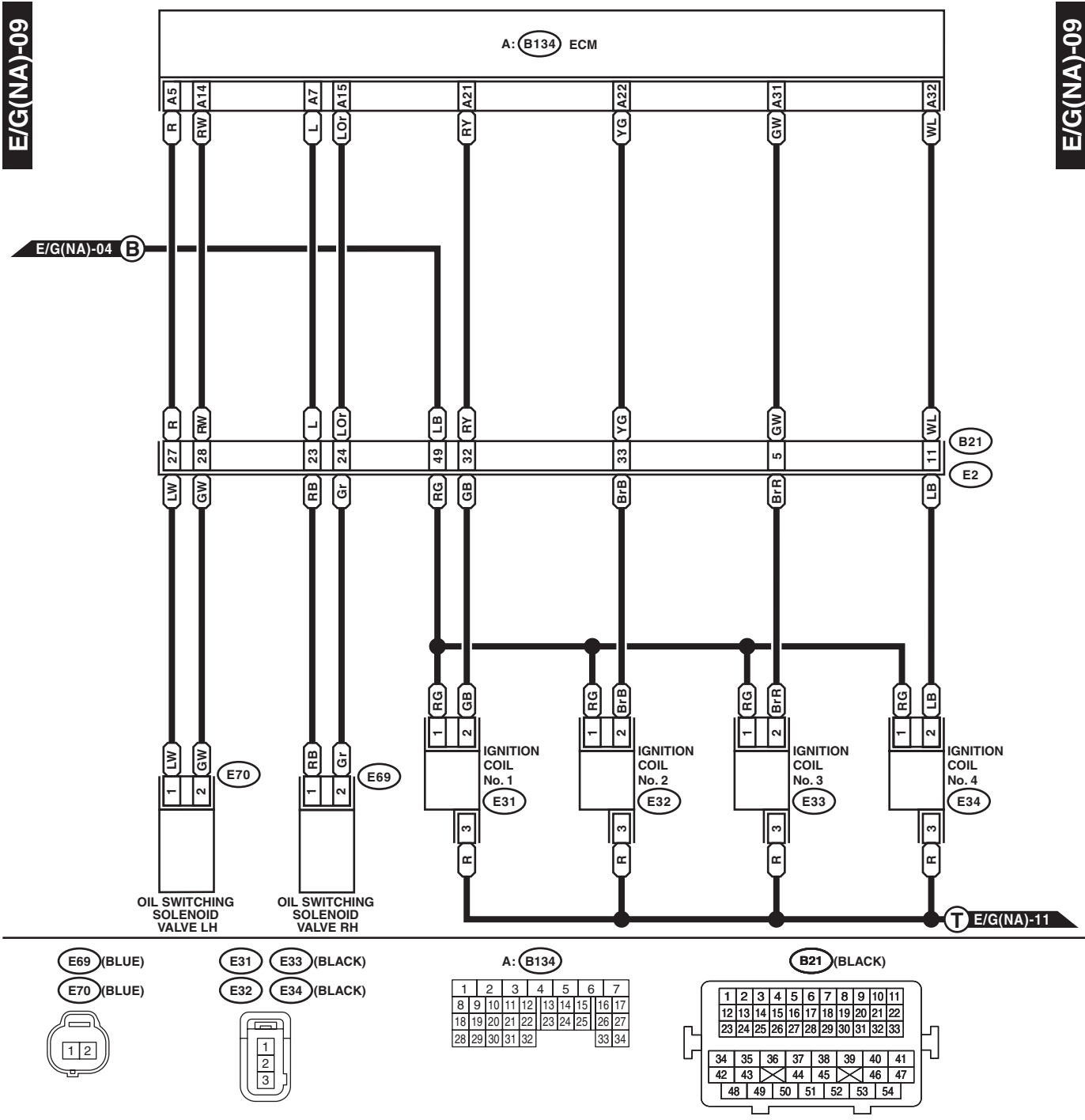
WIRING SYSTEM



WI-25490

# Engine Electrical System

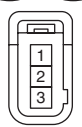
WIRING SYSTEM



- E69 (BLUE)
- E70 (BLUE)



- E31 (BLACK)
- E32 (BLACK)
- E33 (BLACK)
- E34 (BLACK)



A: B134

|    |    |    |    |    |    |    |
|----|----|----|----|----|----|----|
| 1  | 2  | 3  | 4  | 5  | 6  | 7  |
| 8  | 9  | 10 | 11 | 12 | 13 | 14 |
| 15 | 16 | 17 | 18 | 19 | 20 | 21 |
| 22 | 23 | 24 | 25 | 26 | 27 | 28 |
| 29 | 30 | 31 | 32 | 33 | 34 |    |

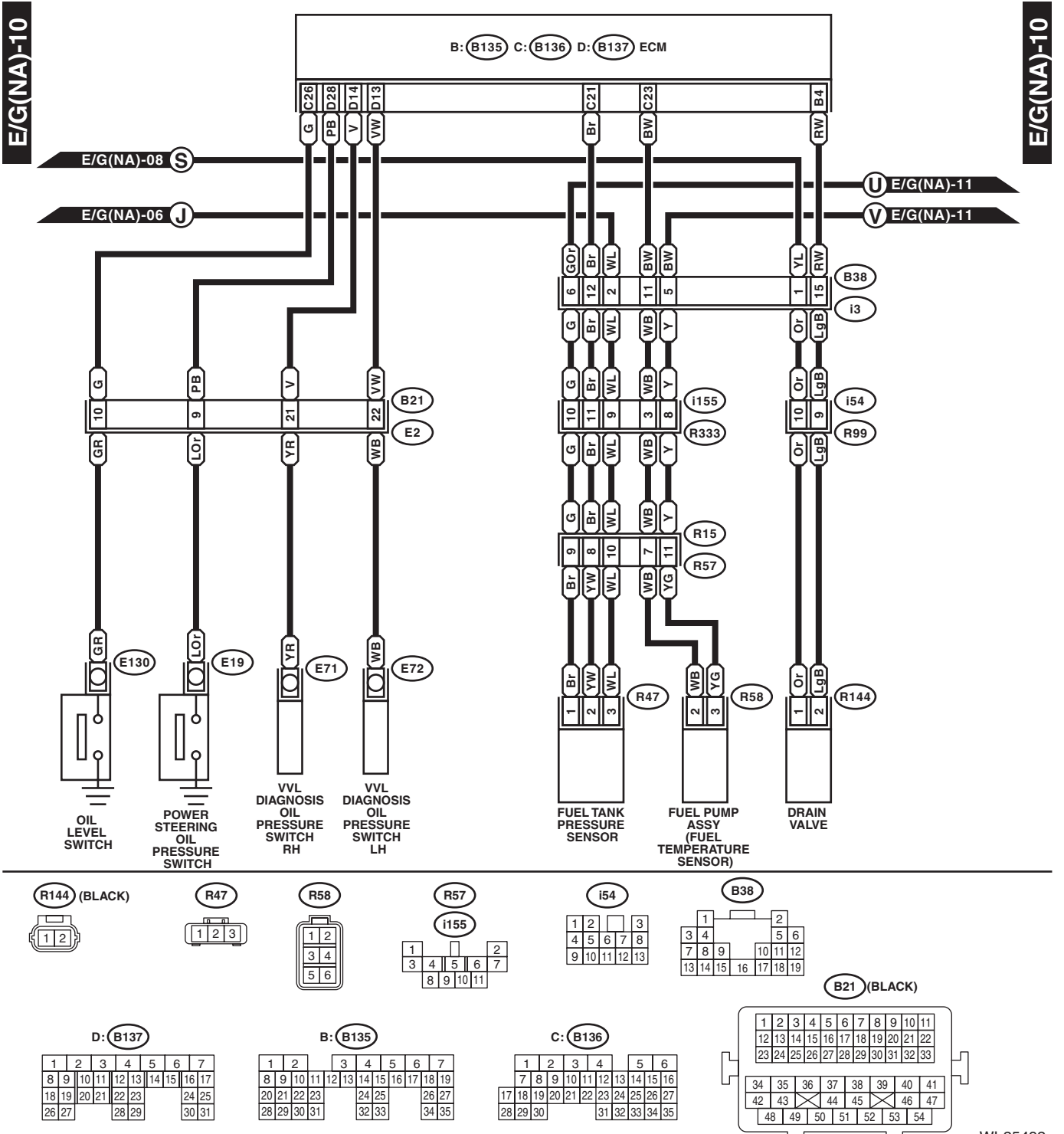
B21 (BLACK)

|    |    |    |    |    |    |    |    |    |    |    |
|----|----|----|----|----|----|----|----|----|----|----|
| 1  | 2  | 3  | 4  | 5  | 6  | 7  | 8  | 9  | 10 | 11 |
| 12 | 13 | 14 | 15 | 16 | 17 | 18 | 19 | 20 | 21 | 22 |
| 23 | 24 | 25 | 26 | 27 | 28 | 29 | 30 | 31 | 32 | 33 |
| 34 | 35 | 36 | 37 | 38 | 39 | 40 | 41 |    |    |    |
| 42 | 43 | 44 | 45 | 46 | 47 |    |    |    |    |    |
| 48 | 49 | 50 | 51 | 52 | 53 | 54 |    |    |    |    |

WI-25491

# Engine Electrical System

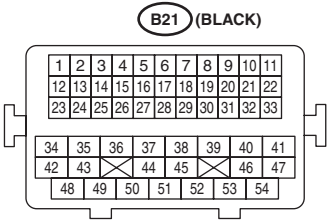
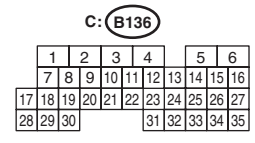
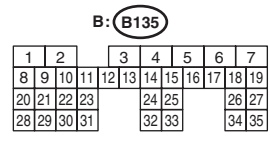
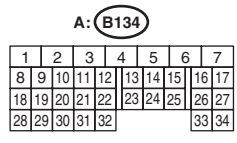
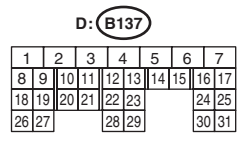
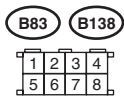
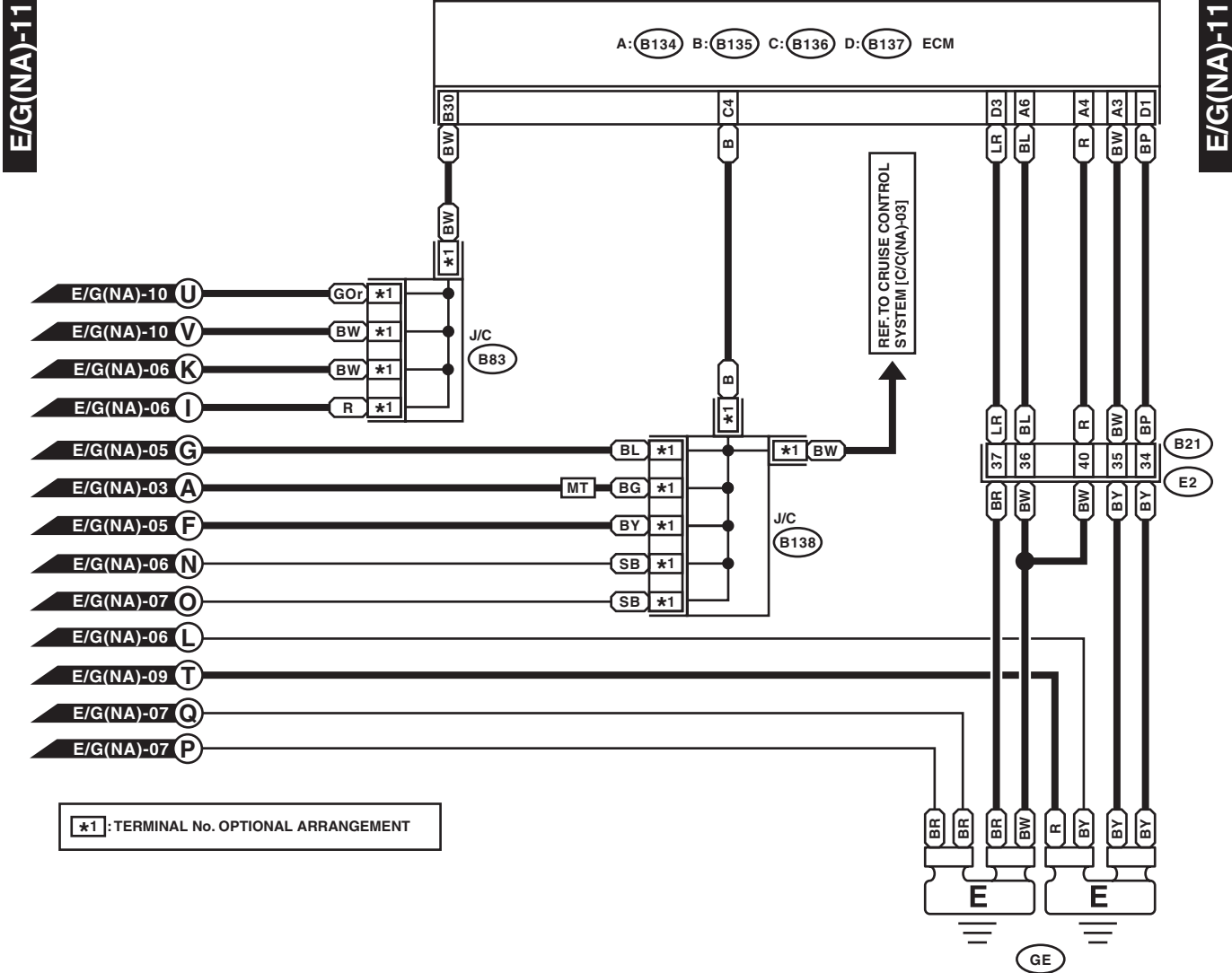
WIRING SYSTEM



WI-25492

# Engine Electrical System

## WIRING SYSTEM



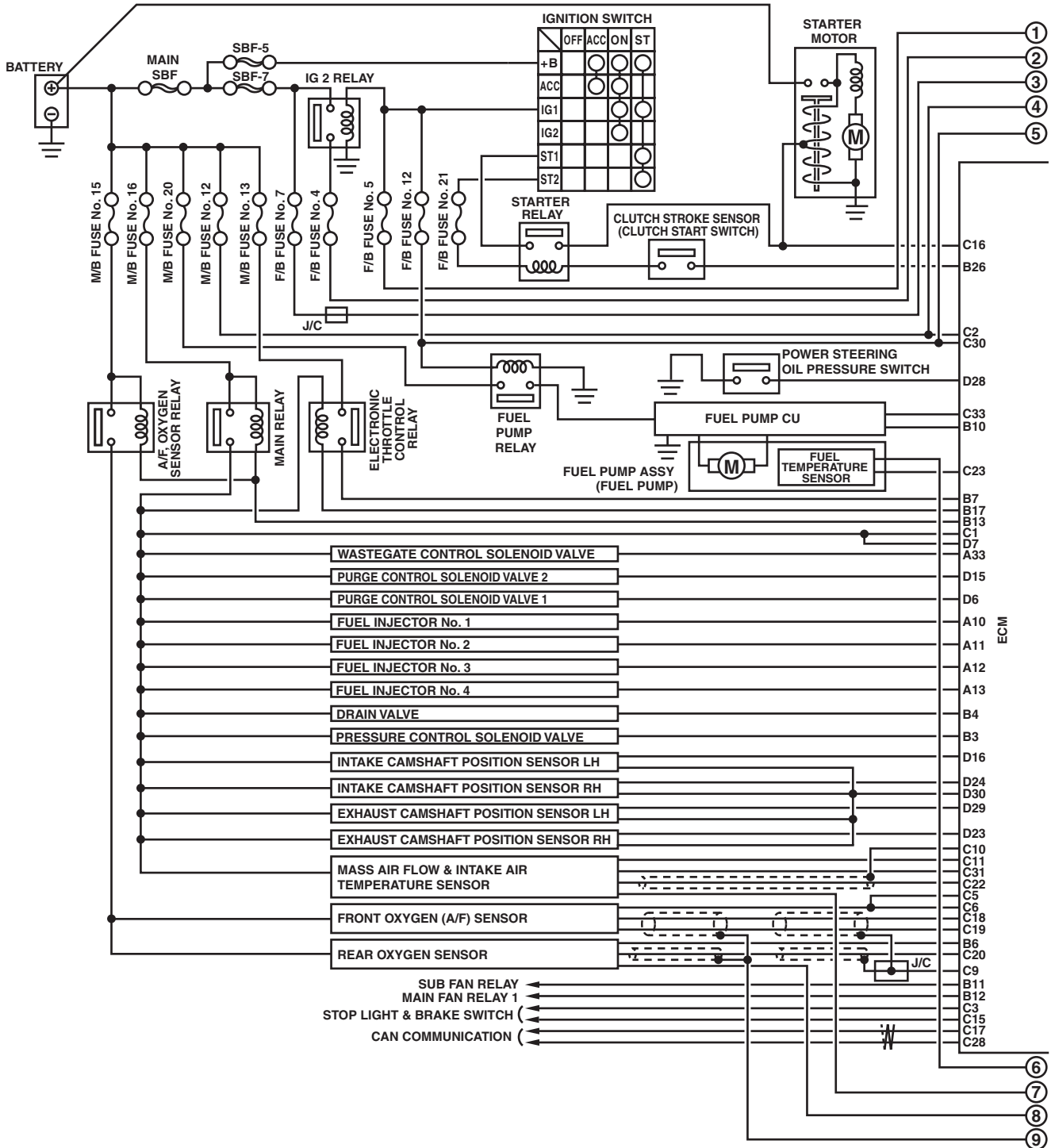
WI-25493



# Engine Electrical System

## WIRING SYSTEM

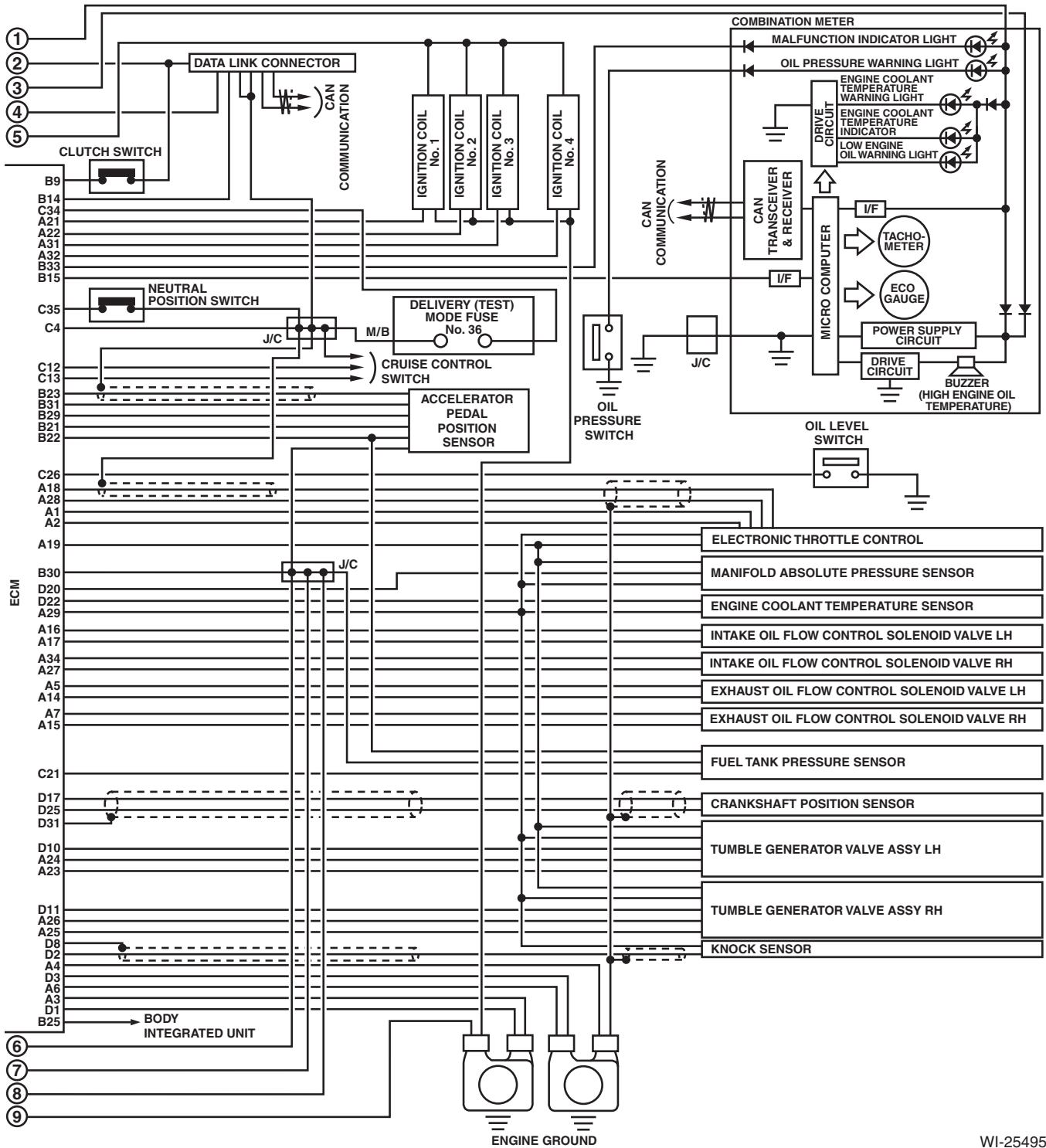
### 2. 2.5 L TURBO MODEL



WI-25494

# Engine Electrical System

WIRING SYSTEM



WI-25495

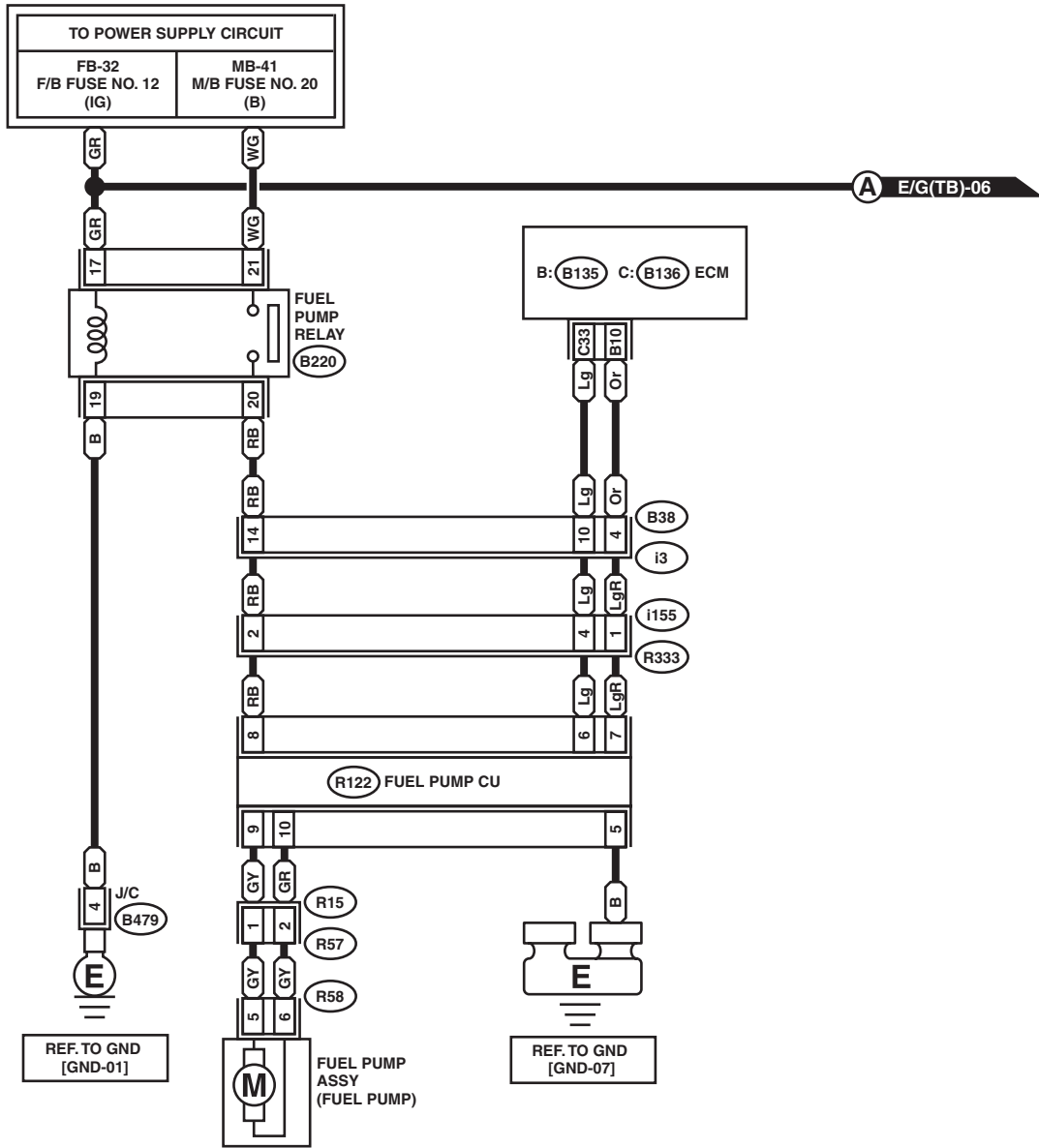


# Engine Electrical System

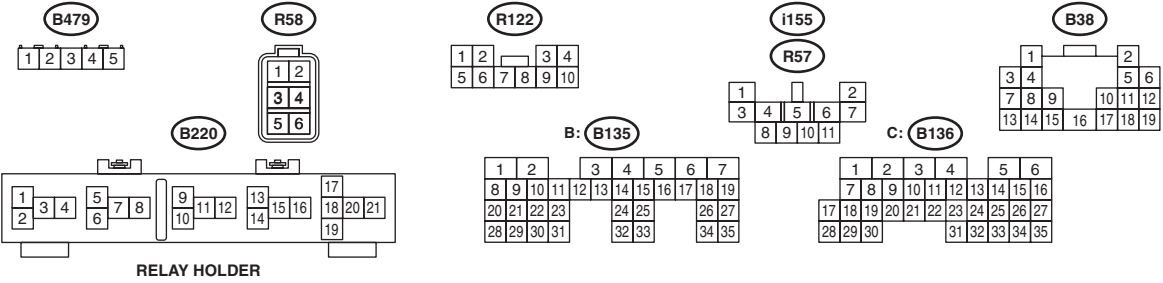
WIRING SYSTEM

E/G(TB)-01

E/G(TB)-01



**A** E/G(TB)-06



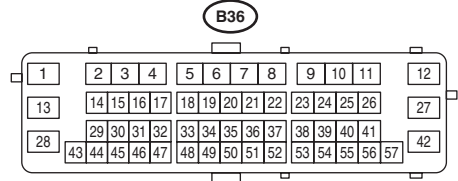
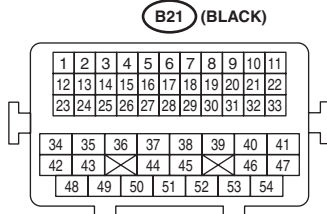
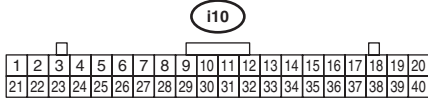
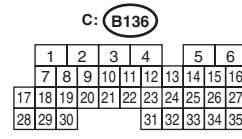
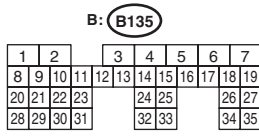
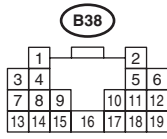
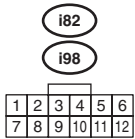
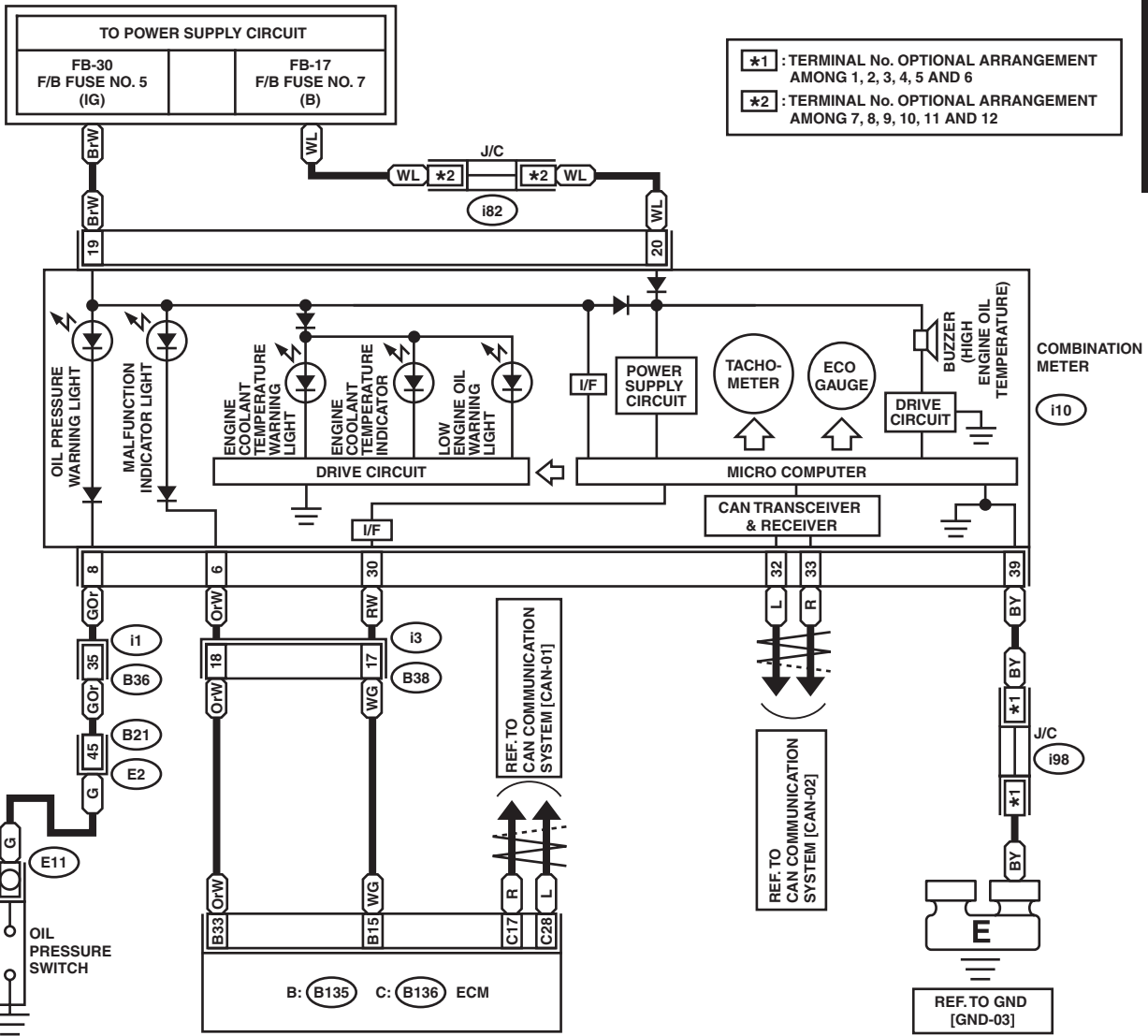
WI-25496

# Engine Electrical System

WIRING SYSTEM

E/G(TB)-02

E/G(TB)-02



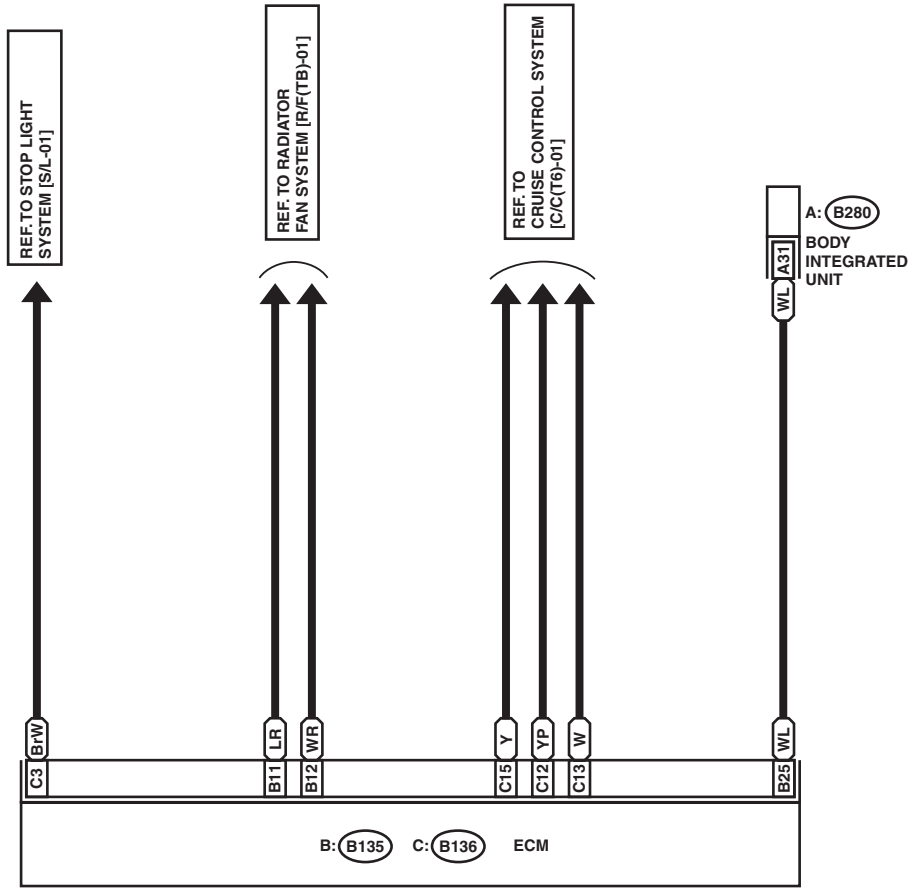
WI-25497

# Engine Electrical System

WIRING SYSTEM

E/G(TB)-03

E/G(TB)-03



A: (B280)

|    |    |    |    |    |    |    |    |    |    |
|----|----|----|----|----|----|----|----|----|----|
| 1  | 2  | 3  | 4  | 5  | 6  | 7  |    |    |    |
| 8  | 9  | 10 | 11 | 12 | 13 | 14 | 15 | 16 | 17 |
| 18 | 19 | 20 | 21 | 22 | 23 | 24 | 25 | 26 | 27 |
| 28 | 29 | 30 | 31 | 32 |    |    |    | 33 | 34 |

B: (B135)

|    |    |    |    |    |    |    |    |    |    |    |    |
|----|----|----|----|----|----|----|----|----|----|----|----|
| 1  | 2  |    | 3  | 4  | 5  | 6  | 7  |    |    |    |    |
| 8  | 9  | 10 | 11 | 12 | 13 | 14 | 15 | 16 | 17 | 18 | 19 |
| 20 | 21 | 22 | 23 |    | 24 | 25 |    | 26 | 27 |    |    |
| 28 | 29 | 30 | 31 |    | 32 | 33 |    | 34 | 35 |    |    |

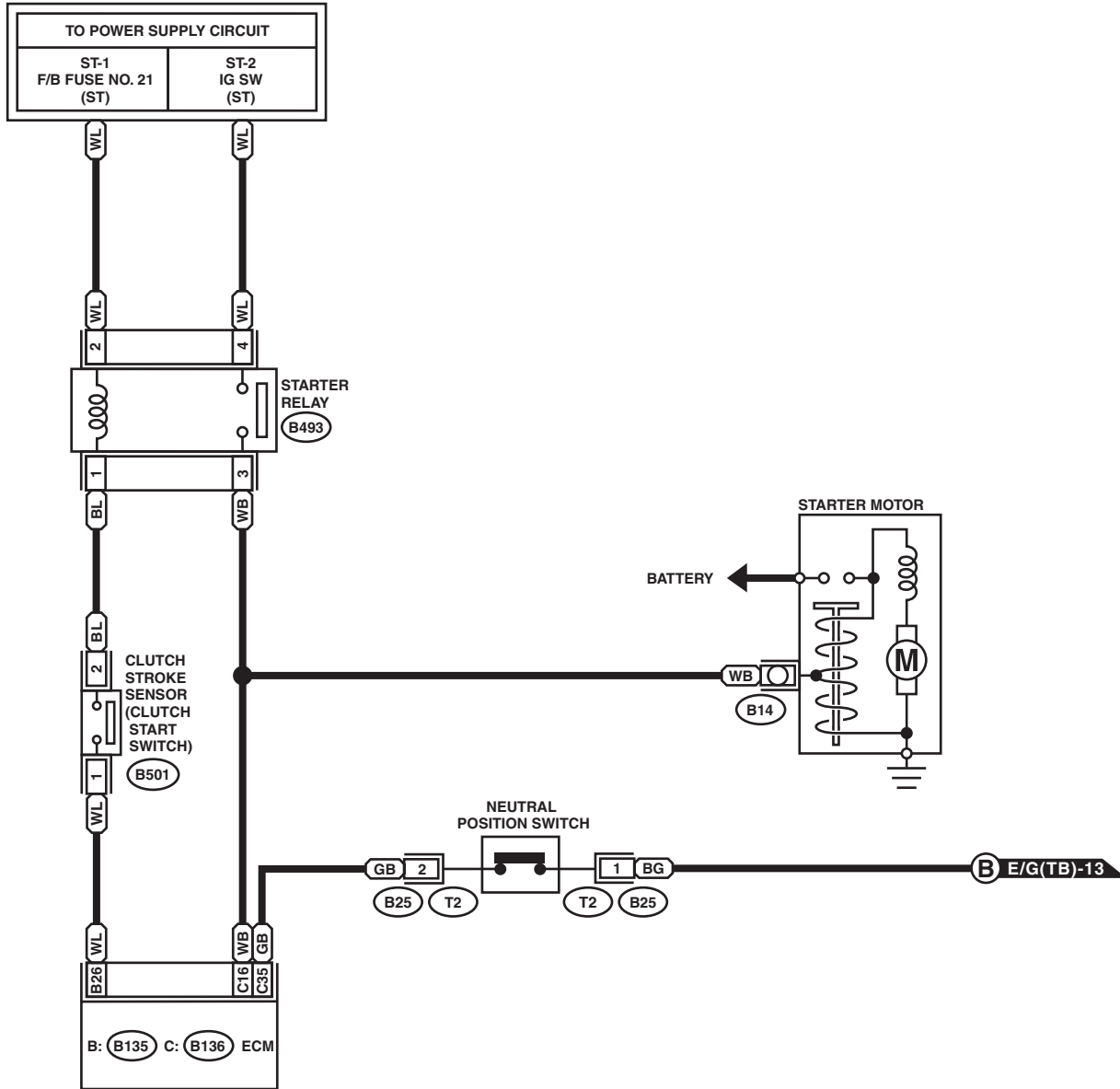
C: (B136)

|  |    |    |    |    |    |    |    |    |    |    |    |
|--|----|----|----|----|----|----|----|----|----|----|----|
|  | 1  | 2  | 3  | 4  |    | 5  | 6  |    |    |    |    |
|  | 7  | 8  | 9  | 10 | 11 | 12 | 13 | 14 | 15 | 16 |    |
|  | 17 | 18 | 19 | 20 | 21 | 22 | 23 | 24 | 25 | 26 | 27 |
|  | 28 | 29 | 30 |    |    | 31 | 32 | 33 | 34 | 35 |    |

WI-25498

E/G(TB)-04

E/G(TB)-04



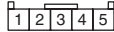
B25 (BROWN)



B493 (BLACK)



B501



B: B135



C: B136

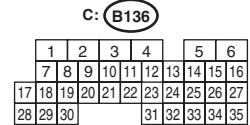
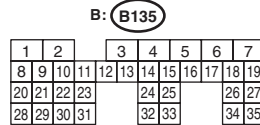
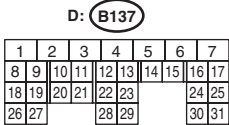
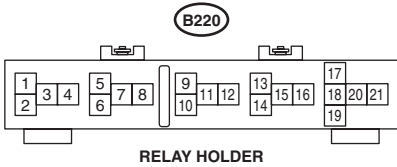
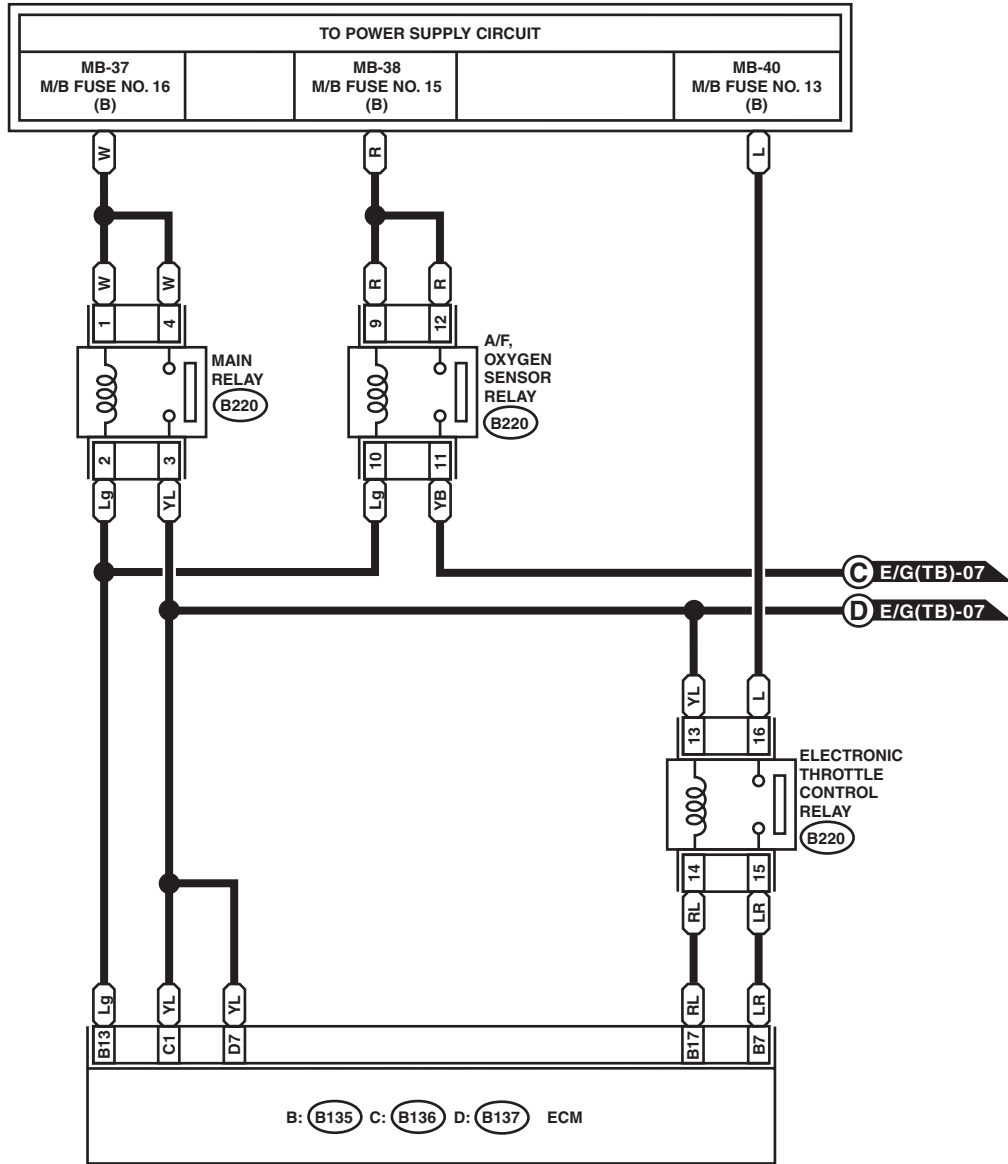


# Engine Electrical System

WIRING SYSTEM

E/G(TB)-05

E/G(TB)-05



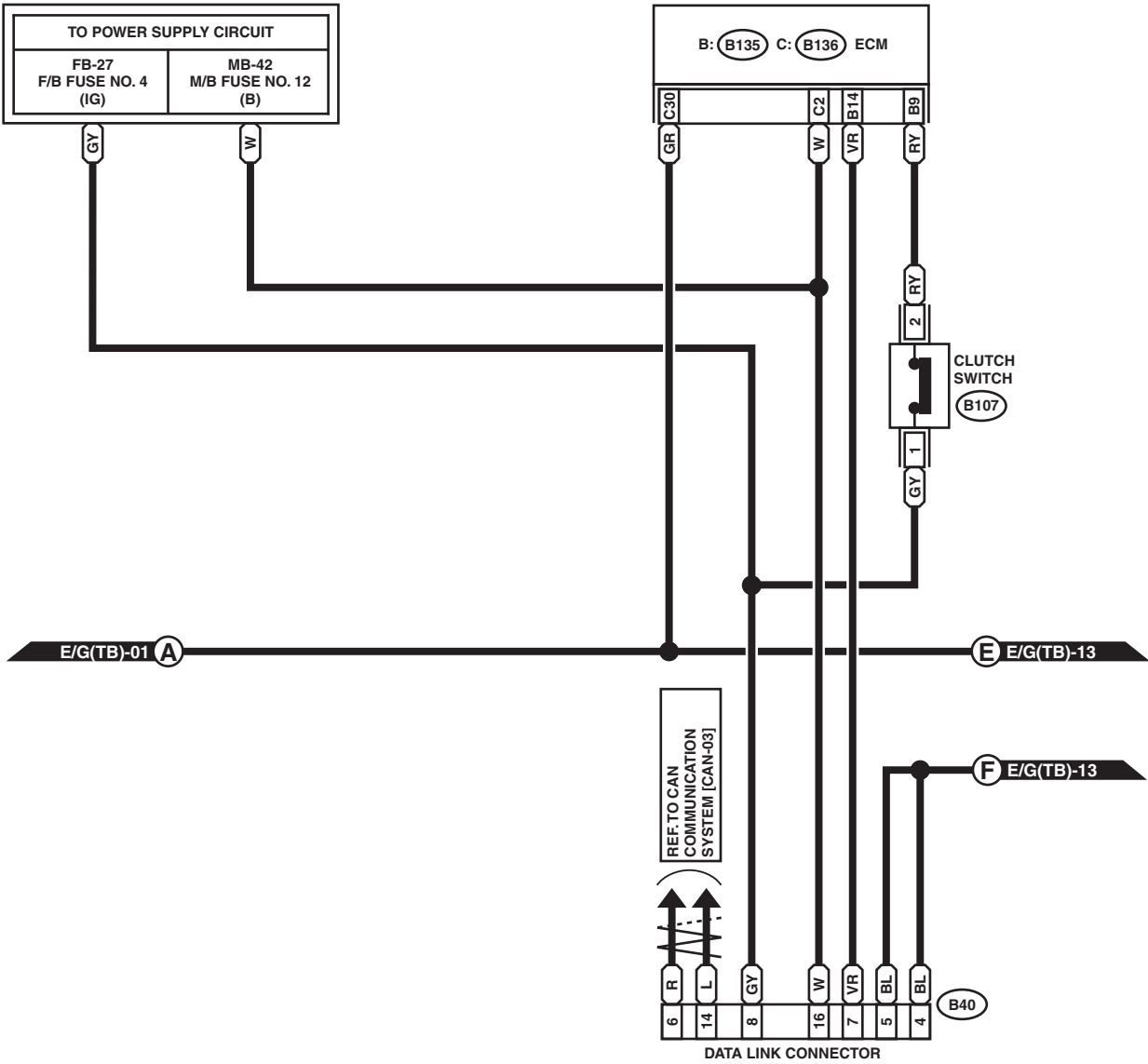
WI-25500

# Engine Electrical System

WIRING SYSTEM

E/G(TB)-06

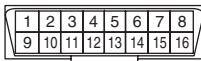
E/G(TB)-06



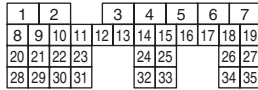
B107 (BLUE)



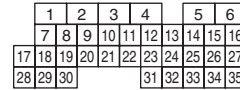
B40



B: B135



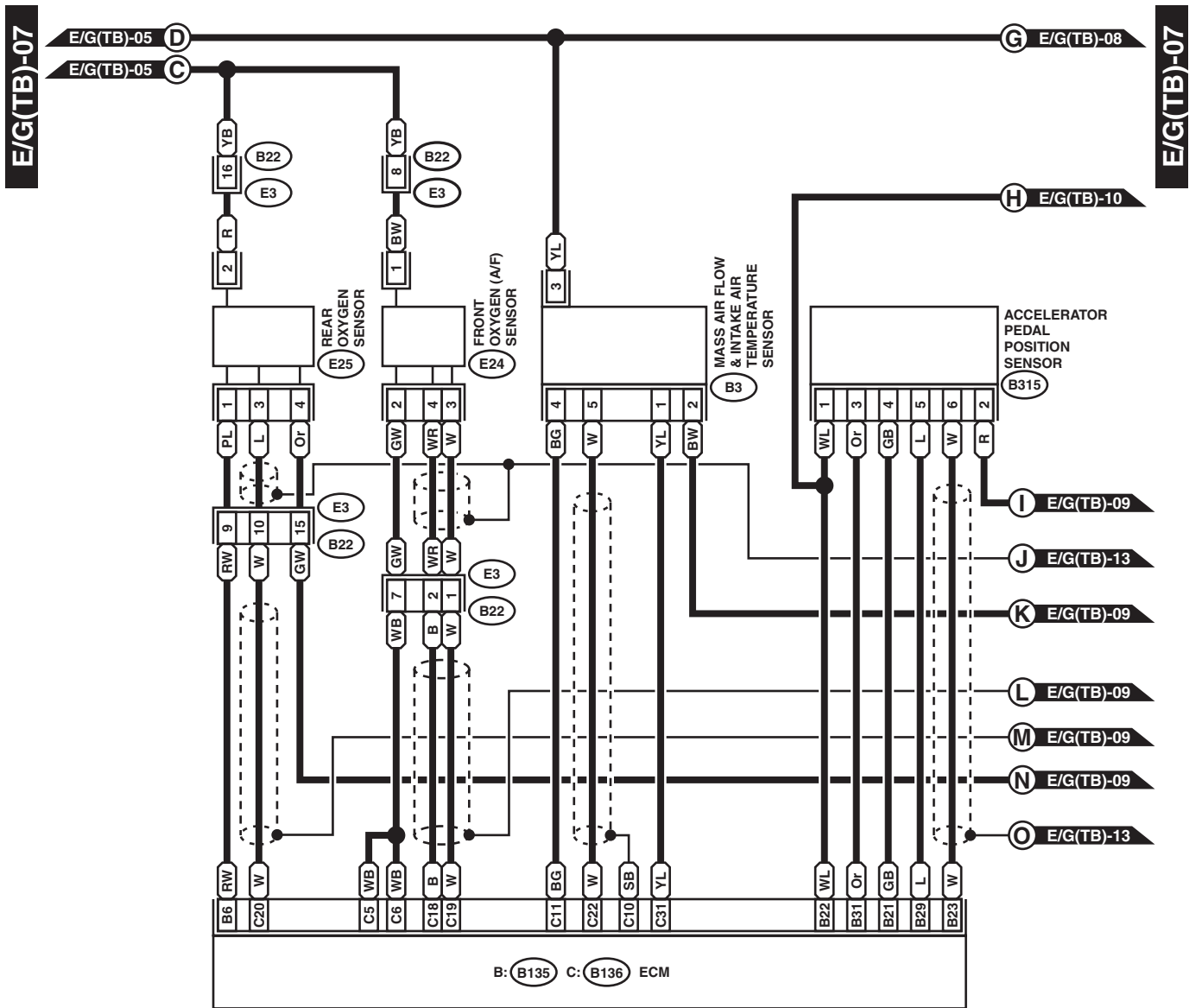
C: B136



WI-25501

# Engine Electrical System

## WIRING SYSTEM



E24 (LIGHT GRAY)



E25 (BLACK)



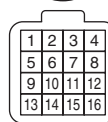
B3 (BLACK)



B315 (BLACK)



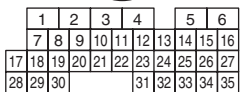
B22



B: B135



C: B136



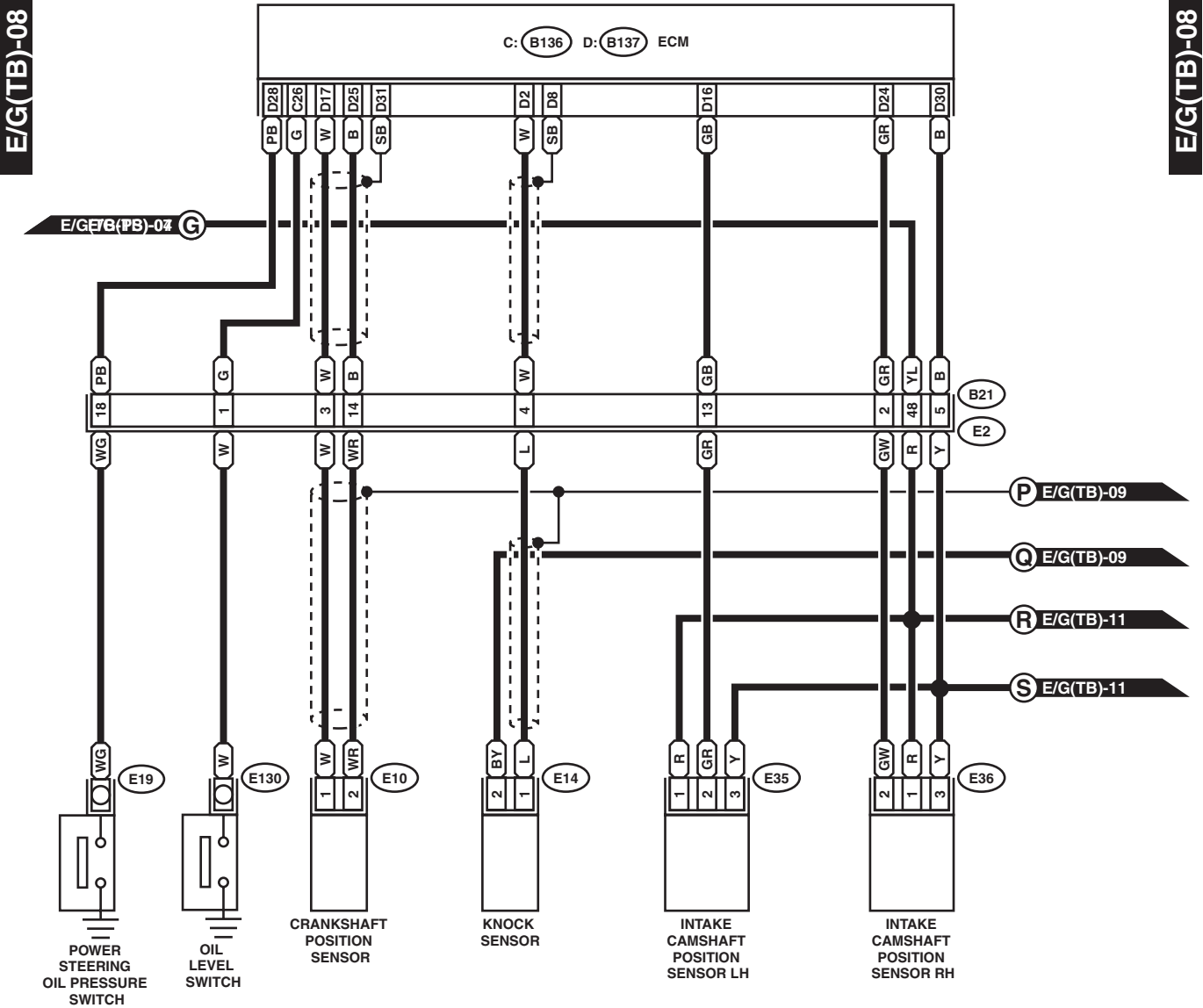
WI-25502

# Engine Electrical System

WIRING SYSTEM

E/G(TB)-08

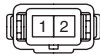
E/G(TB)-08



E10 (LIGHT GRAY)



E14 (BLACK)



E35 (BLACK)



E36 (BLACK)

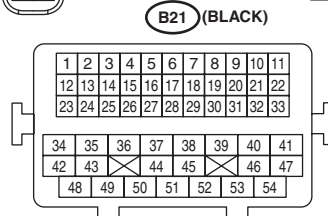


D: B137

|    |    |    |    |    |    |    |
|----|----|----|----|----|----|----|
| 1  | 2  | 3  | 4  | 5  | 6  | 7  |
| 8  | 9  | 10 | 11 | 12 | 13 | 14 |
| 15 | 16 | 17 | 24 | 25 |    |    |
| 18 | 19 | 20 | 21 | 22 | 23 |    |
| 26 | 27 |    | 28 | 29 |    | 30 |
|    |    |    |    |    |    | 31 |

C: B136

|    |    |    |    |    |    |
|----|----|----|----|----|----|
| 1  | 2  | 3  | 4  | 5  | 6  |
| 7  | 8  | 9  | 10 | 11 | 12 |
| 13 | 14 | 15 | 16 |    |    |
| 17 | 18 | 19 | 20 | 21 | 22 |
| 23 | 24 | 25 | 26 | 27 |    |
| 28 | 29 | 30 |    | 31 | 32 |
|    |    |    |    |    | 33 |
|    |    |    |    |    | 34 |
|    |    |    |    |    | 35 |

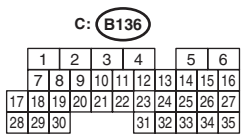
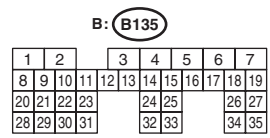
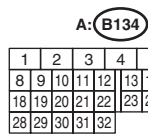
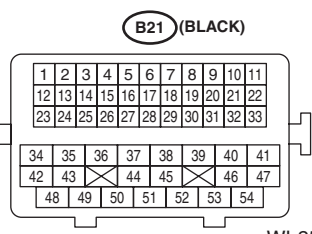
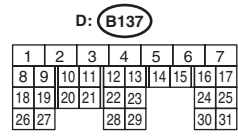
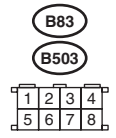
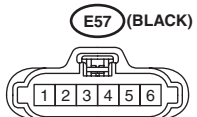
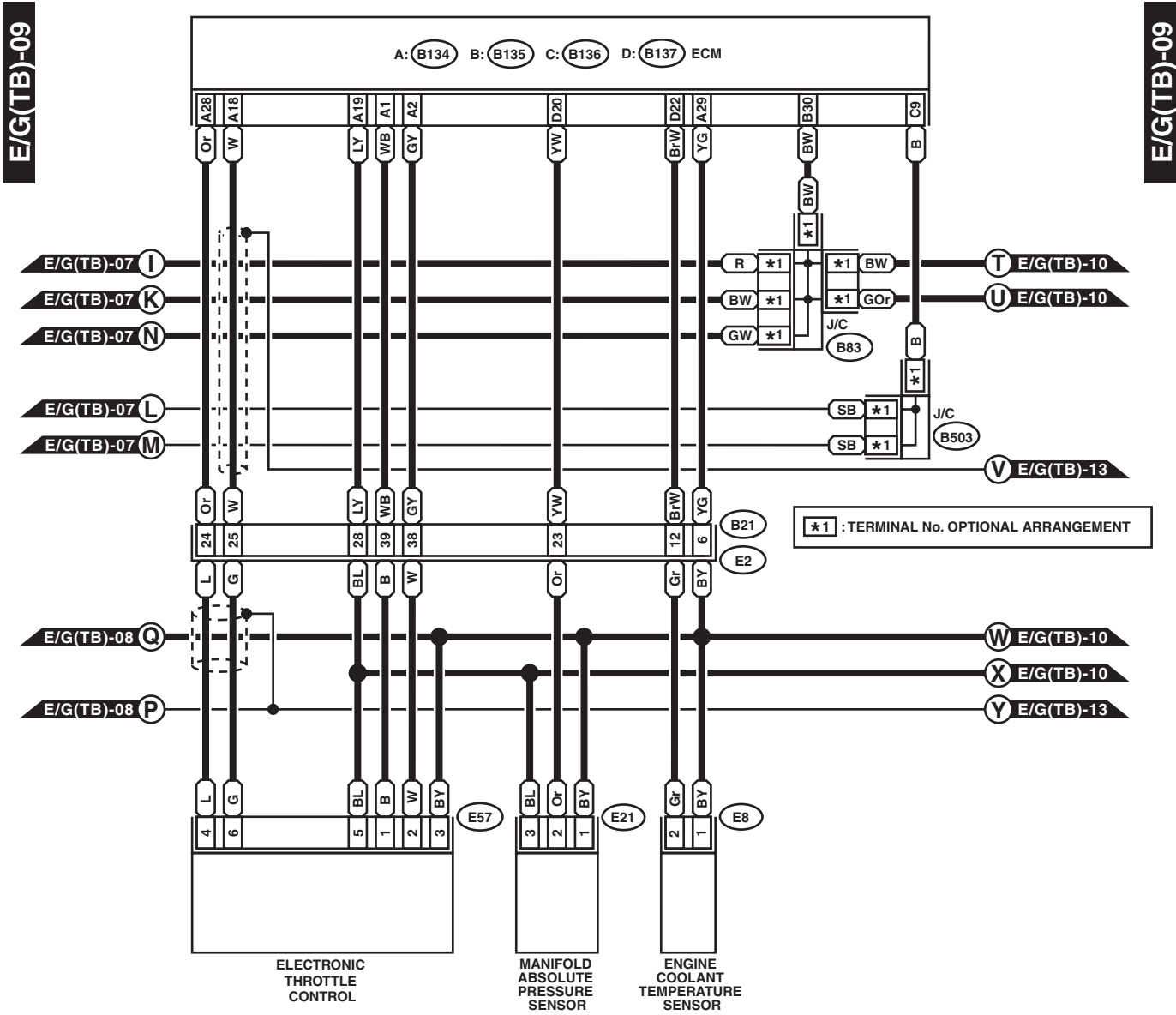


WI-25503



# Engine Electrical System

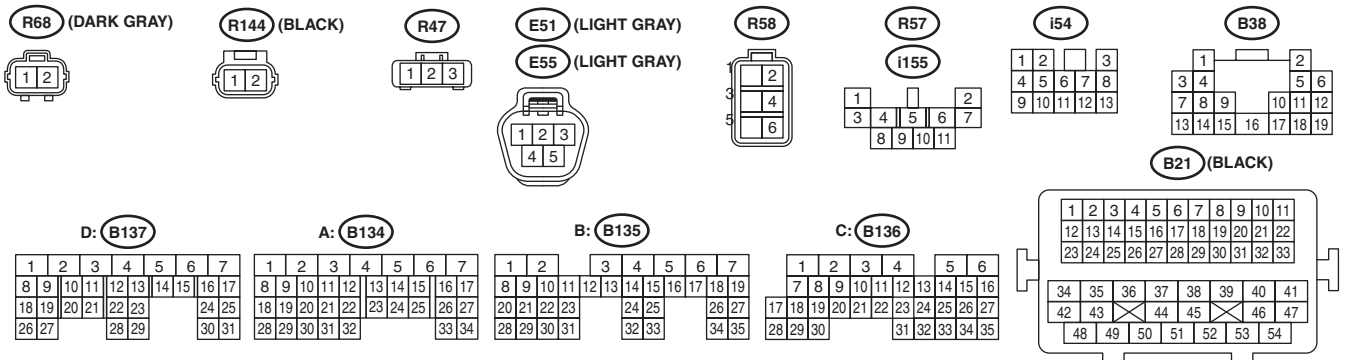
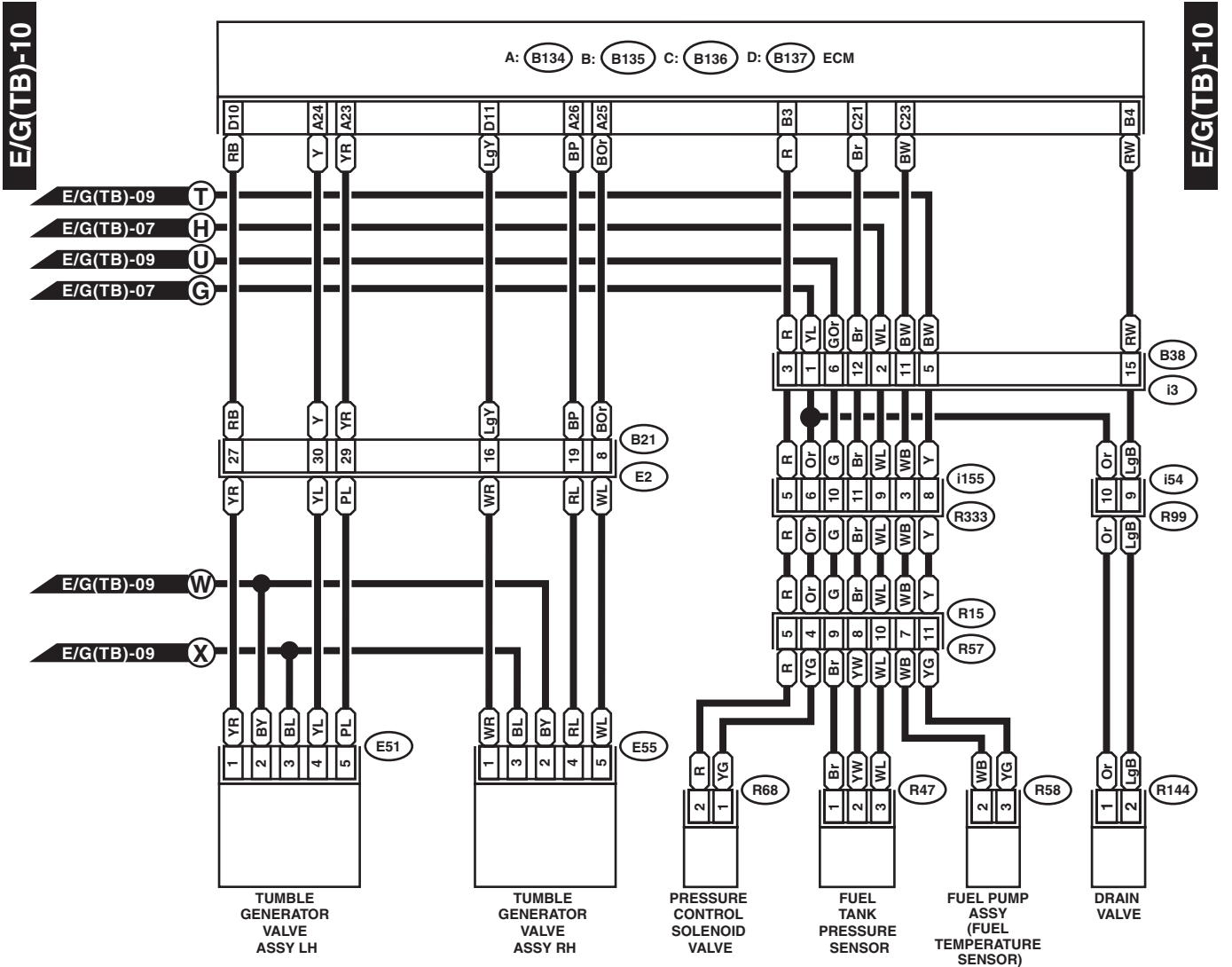
WIRING SYSTEM



WI-25504

# Engine Electrical System

WIRING SYSTEM



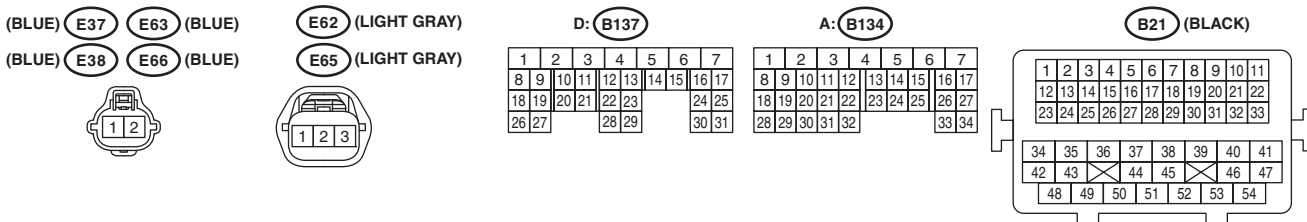
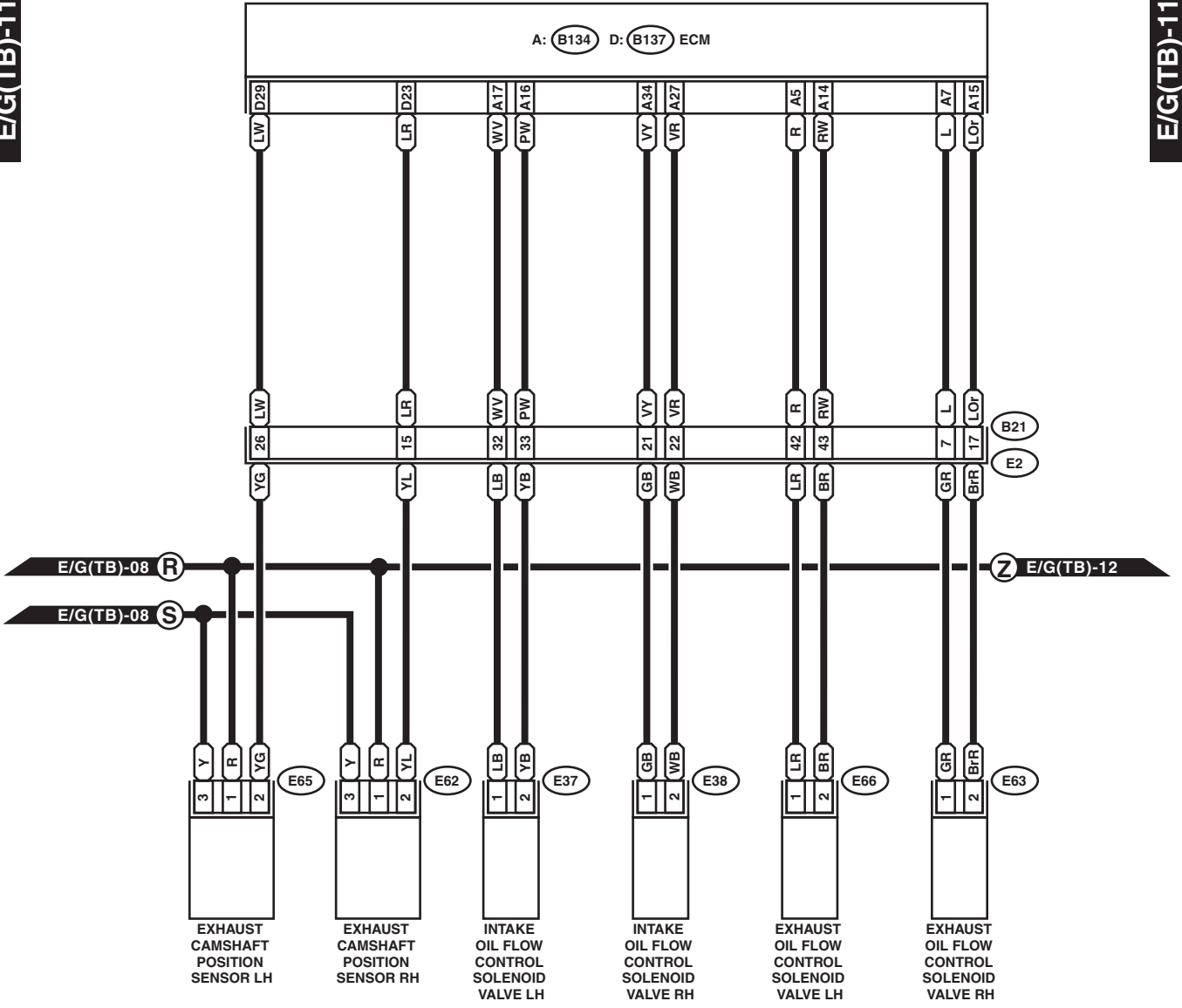
WI-25505

# Engine Electrical System

WIRING SYSTEM

E/G(TB)-11

E/G(TB)-11



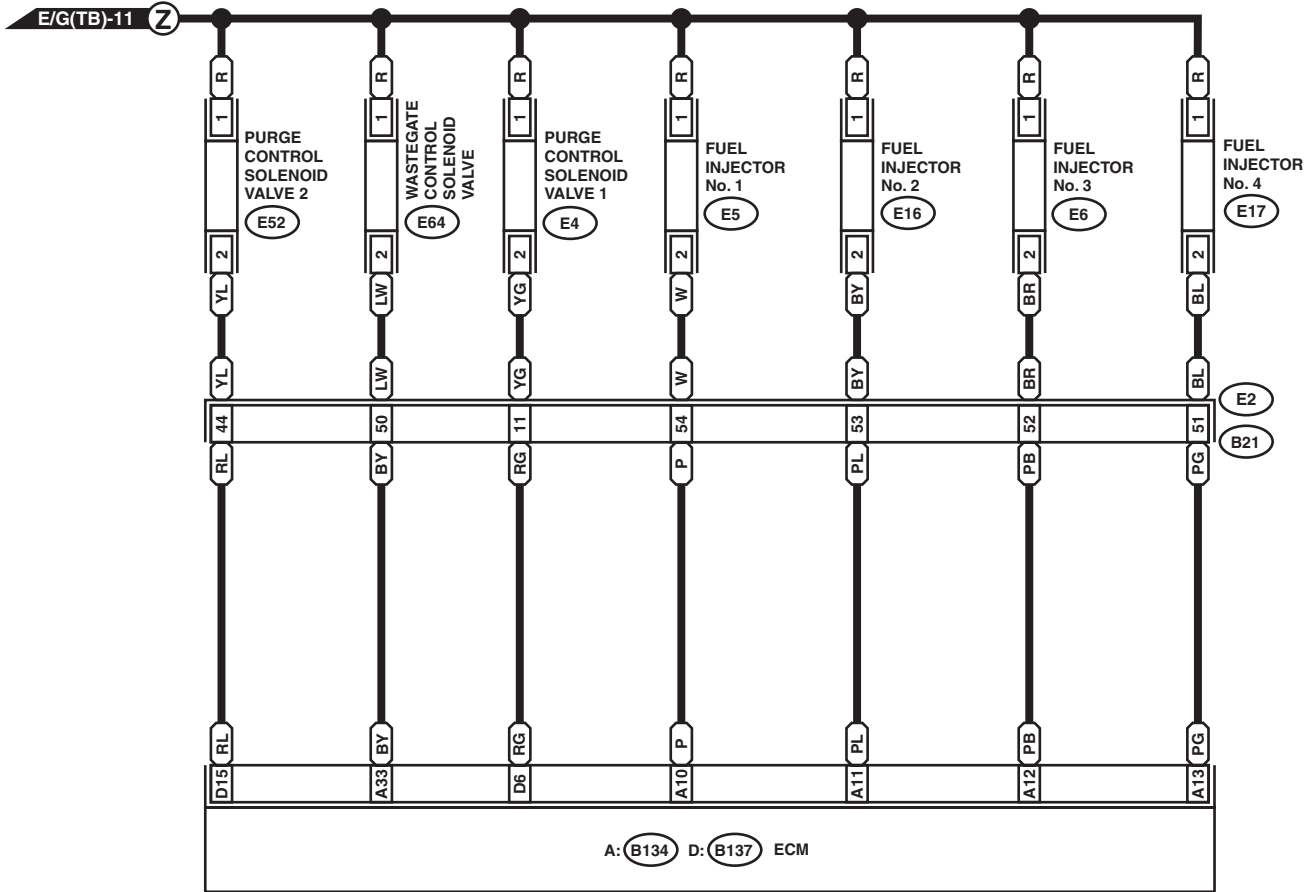
WI-25506

# Engine Electrical System

WIRING SYSTEM

E/G(TB)-12

E/G(TB)-12



**E4 (BLACK)**  
**E52 (BLACK)**  
**E64 (BLACK)**

**(DARK GRAY) E5 (DARK GRAY)**  
**(DARK GRAY) E6 (DARK GRAY)**  
**E16 (DARK GRAY)**  
**E17 (DARK GRAY)**

**D: B137**  

|    |    |    |    |    |    |    |
|----|----|----|----|----|----|----|
| 1  | 2  | 3  | 4  | 5  | 6  | 7  |
| 8  | 9  | 10 | 11 | 12 | 13 | 14 |
| 15 | 16 | 17 | 18 | 19 | 20 | 21 |
| 22 | 23 | 24 | 25 | 26 | 27 | 28 |
| 29 | 30 | 31 | 32 | 33 | 34 |    |

**A: B134**  

|    |    |    |    |    |    |    |
|----|----|----|----|----|----|----|
| 1  | 2  | 3  | 4  | 5  | 6  | 7  |
| 8  | 9  | 10 | 11 | 12 | 13 | 14 |
| 15 | 16 | 17 | 18 | 19 | 20 | 21 |
| 22 | 23 | 24 | 25 | 26 | 27 | 28 |
| 29 | 30 | 31 | 32 | 33 | 34 |    |

**B21 (BLACK)**  

|    |    |    |    |    |    |    |    |    |    |    |
|----|----|----|----|----|----|----|----|----|----|----|
| 1  | 2  | 3  | 4  | 5  | 6  | 7  | 8  | 9  | 10 | 11 |
| 12 | 13 | 14 | 15 | 16 | 17 | 18 | 19 | 20 | 21 | 22 |
| 23 | 24 | 25 | 26 | 27 | 28 | 29 | 30 | 31 | 32 | 33 |
| 34 | 35 | 36 | 37 | 38 | 39 | 40 | 41 |    |    |    |
| 42 | 43 | 44 | 45 | 46 | 47 |    |    |    |    |    |
| 48 | 49 | 50 | 51 | 52 | 53 | 54 |    |    |    |    |

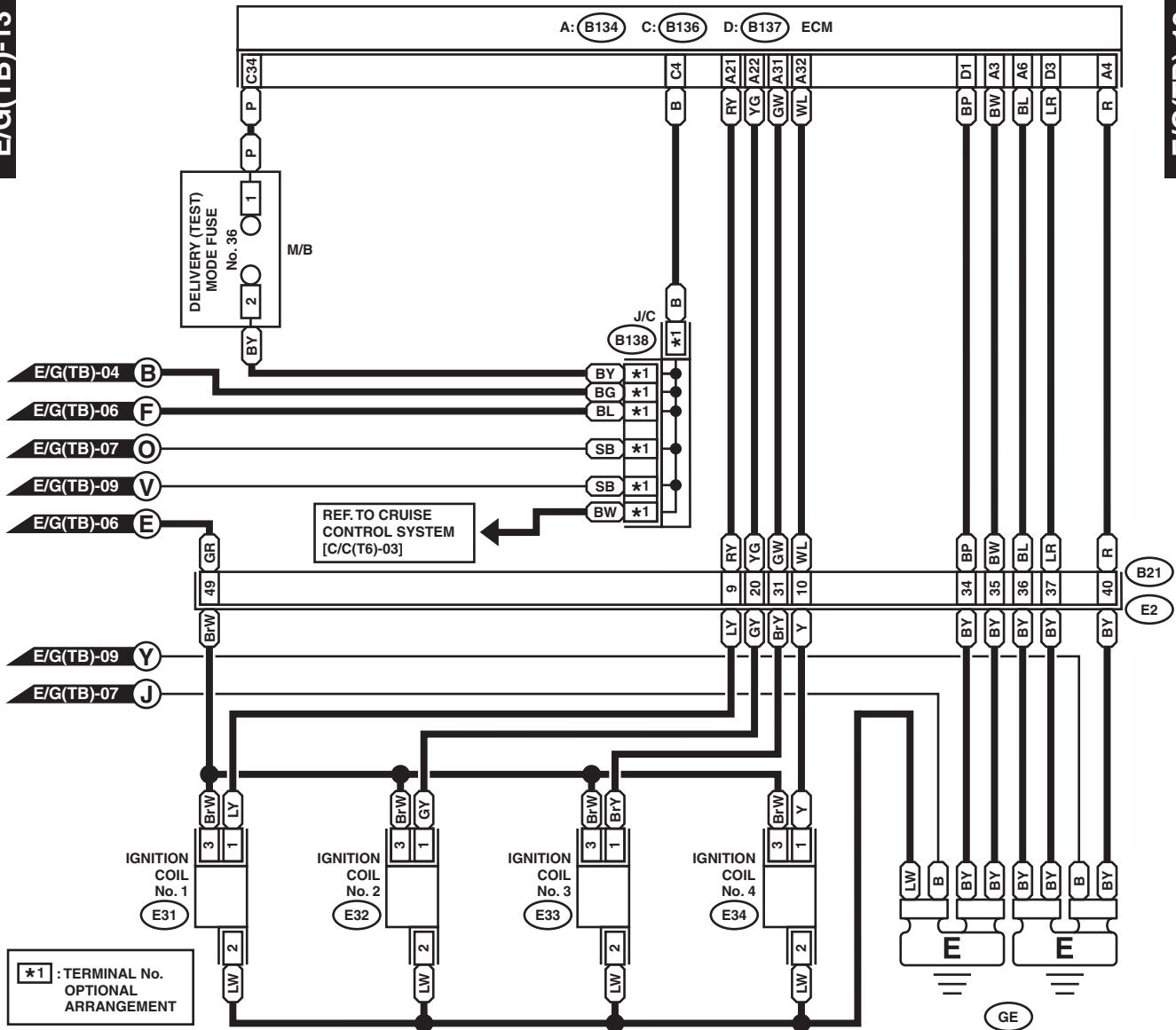
WI-25507

# Engine Electrical System

WIRING SYSTEM

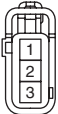
E/G(TB)-13

E/G(TB)-13



\*1 : TERMINAL No. OPTIONAL ARRANGEMENT

(GRAY) E31 E33 (GRAY)  
(GRAY) E32 E34 (GRAY)



C: B136

|    |    |    |    |    |    |
|----|----|----|----|----|----|
| 1  | 2  | 3  | 4  | 5  | 6  |
| 7  | 8  | 9  | 10 | 11 | 12 |
| 13 | 14 | 15 | 16 | 17 | 18 |
| 19 | 20 | 21 | 22 | 23 | 24 |
| 25 | 26 | 27 | 28 | 29 | 30 |
| 31 | 32 | 33 | 34 | 35 |    |

B138

|   |   |   |   |
|---|---|---|---|
| 1 | 2 | 3 | 4 |
| 5 | 6 | 7 | 8 |

D: B137

|    |    |    |    |    |    |    |
|----|----|----|----|----|----|----|
| 1  | 2  | 3  | 4  | 5  | 6  | 7  |
| 8  | 9  | 10 | 11 | 12 | 13 | 14 |
| 15 | 16 | 17 | 18 | 19 | 20 | 21 |
| 22 | 23 | 24 | 25 | 26 | 27 | 28 |
| 29 | 30 | 31 |    |    |    |    |

A: B134

|    |    |    |    |    |    |    |
|----|----|----|----|----|----|----|
| 1  | 2  | 3  | 4  | 5  | 6  | 7  |
| 8  | 9  | 10 | 11 | 12 | 13 | 14 |
| 15 | 16 | 17 | 18 | 19 | 20 | 21 |
| 22 | 23 | 24 | 25 | 26 | 27 | 28 |
| 29 | 30 | 31 | 32 |    |    |    |

B21 (BLACK)

|    |    |    |    |    |    |    |    |    |    |    |
|----|----|----|----|----|----|----|----|----|----|----|
| 1  | 2  | 3  | 4  | 5  | 6  | 7  | 8  | 9  | 10 | 11 |
| 12 | 13 | 14 | 15 | 16 | 17 | 18 | 19 | 20 | 21 | 22 |
| 23 | 24 | 25 | 26 | 27 | 28 | 29 | 30 | 31 | 32 | 33 |
| 34 | 35 | 36 | 37 | 38 | 39 | 40 | 41 |    |    |    |
| 42 | 43 | 44 | 45 | 46 | 47 |    |    |    |    |    |
| 48 | 49 | 50 | 51 | 52 | 53 | 54 |    |    |    |    |

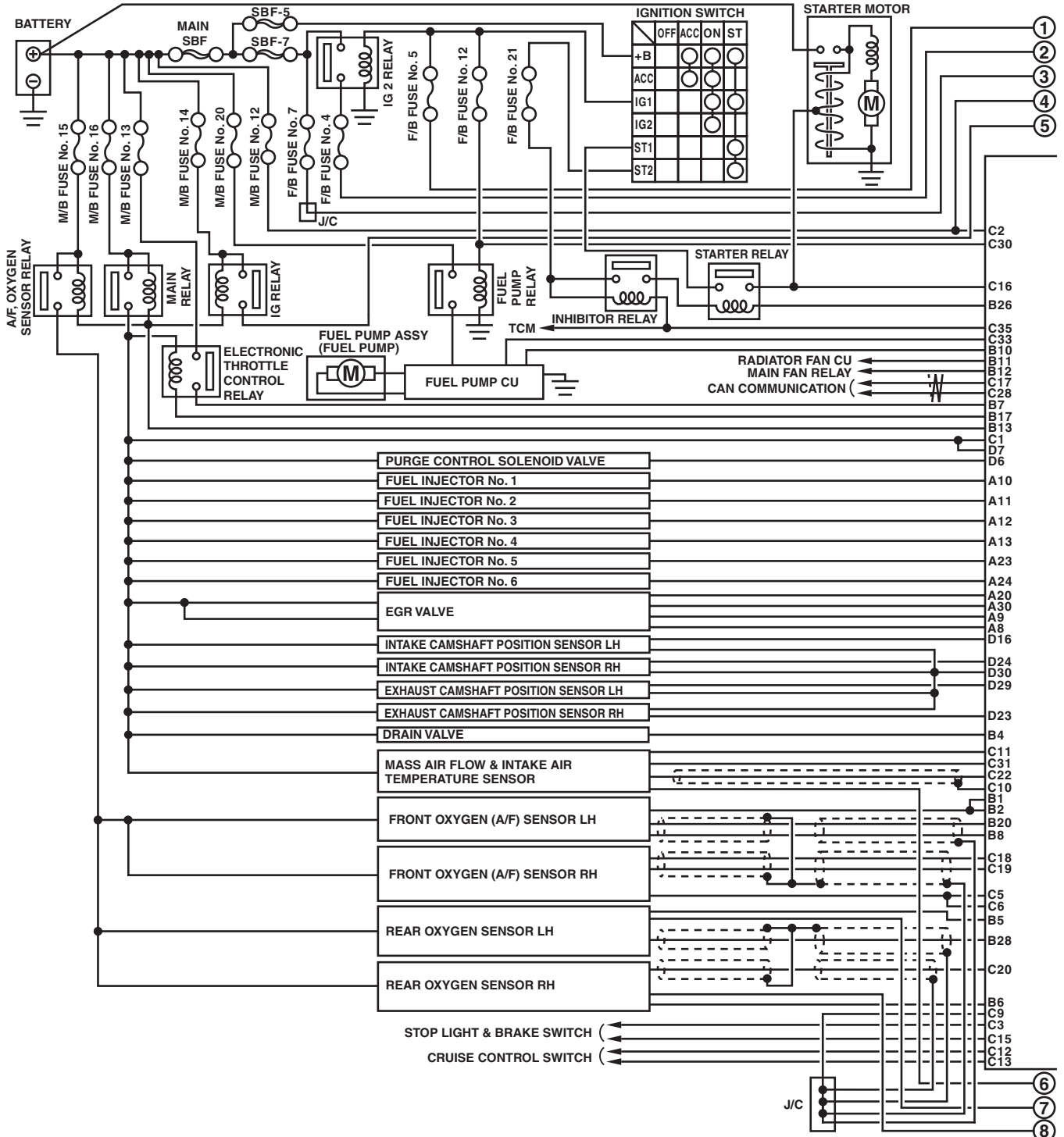
WI-25508



# Engine Electrical System

## WIRING SYSTEM

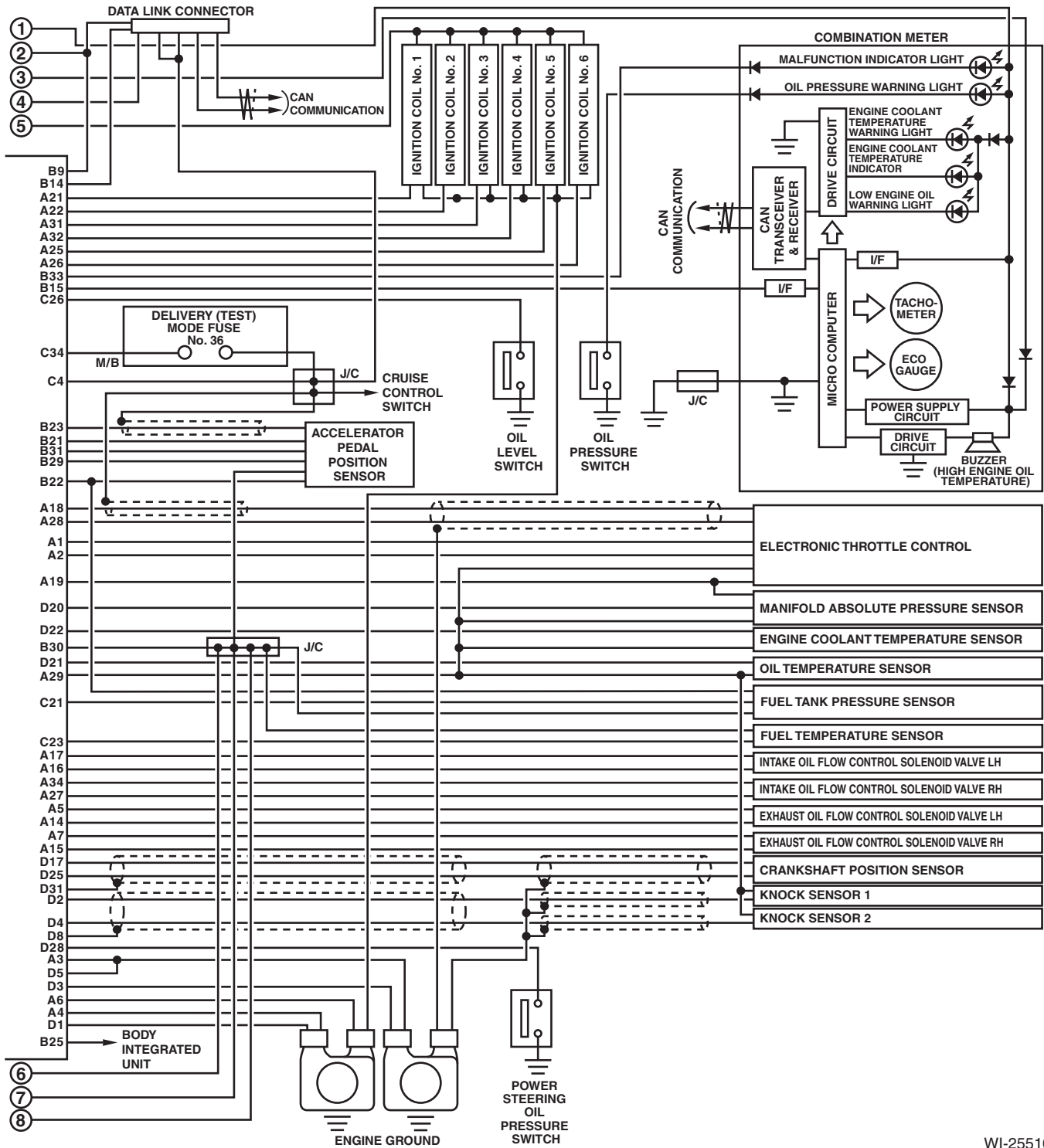
### 3. 3.6 L MODEL



WI-25509

# Engine Electrical System

WIRING SYSTEM

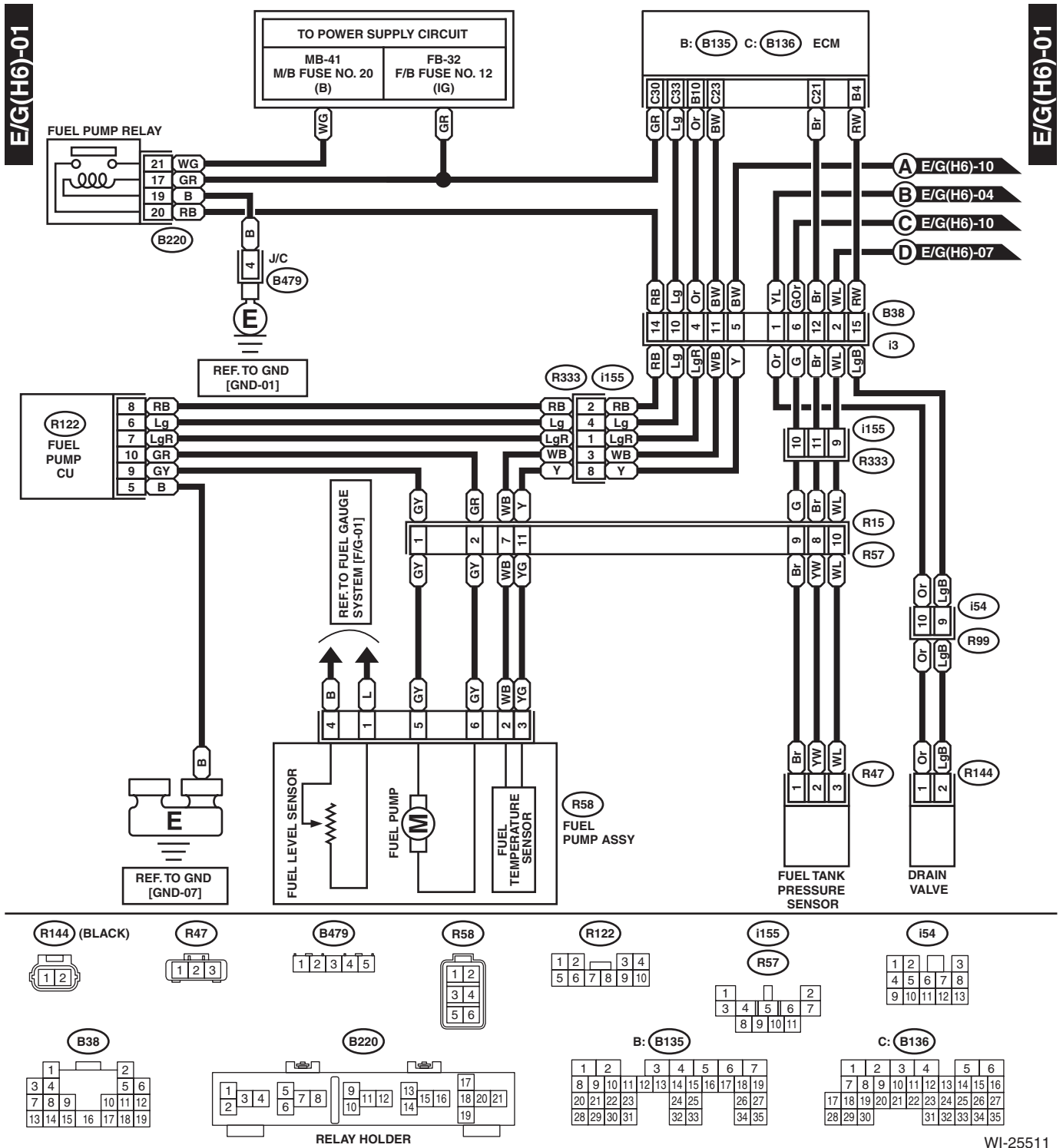


WI-25510



# Engine Electrical System

## WIRING SYSTEM



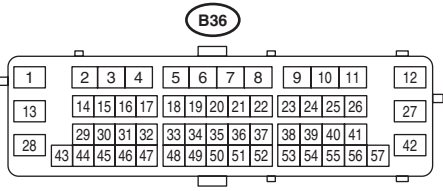
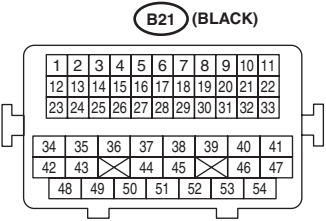
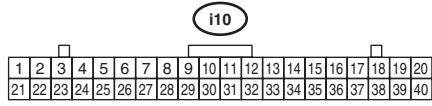
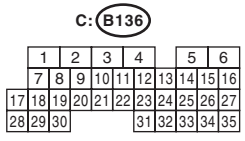
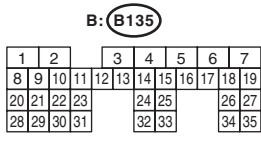
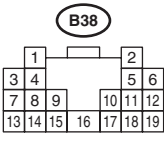
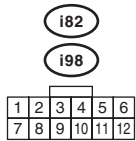
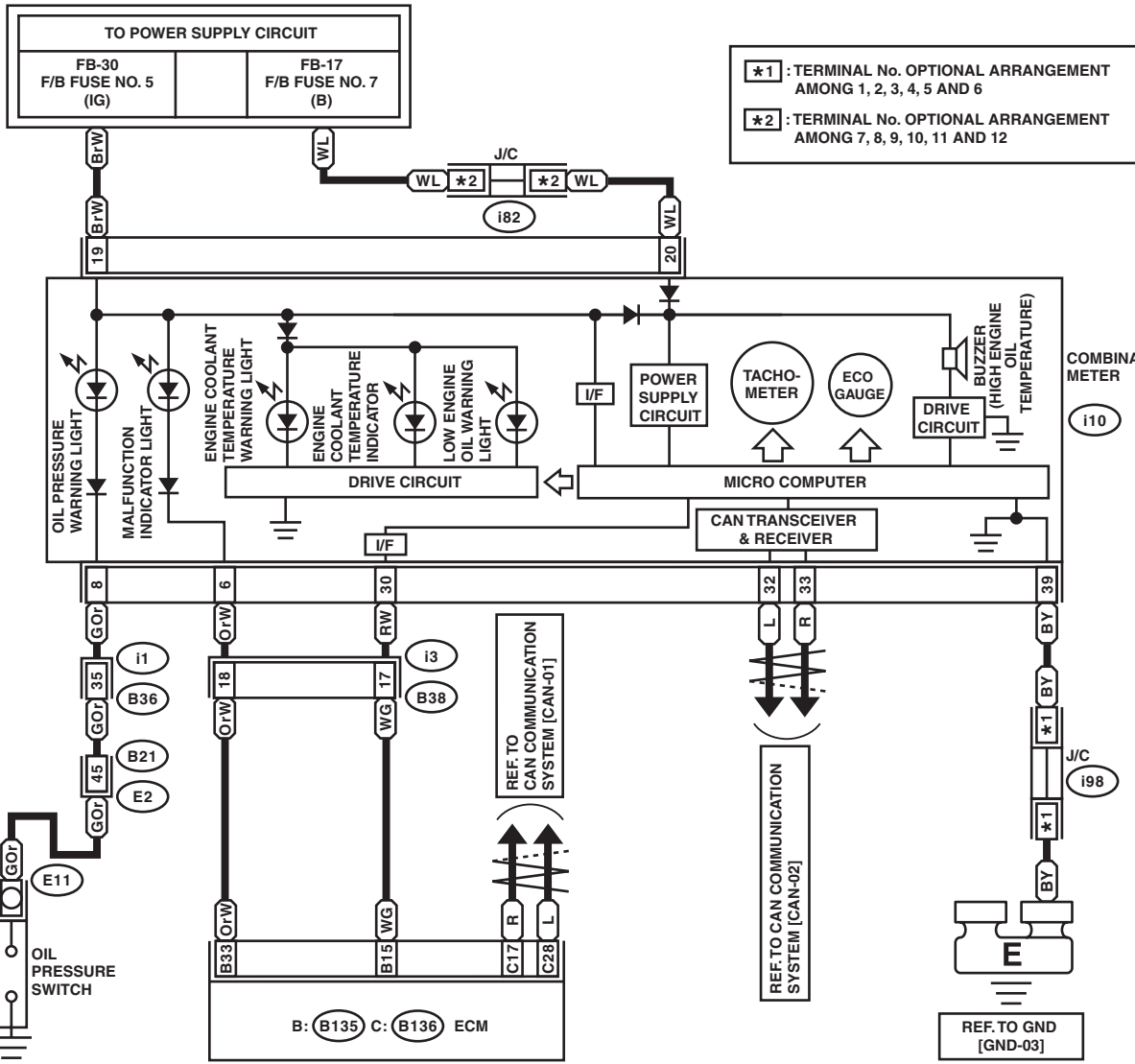
WI-25511

# Engine Electrical System

WIRING SYSTEM

E/G(H6)-02

E/G(H6)-02



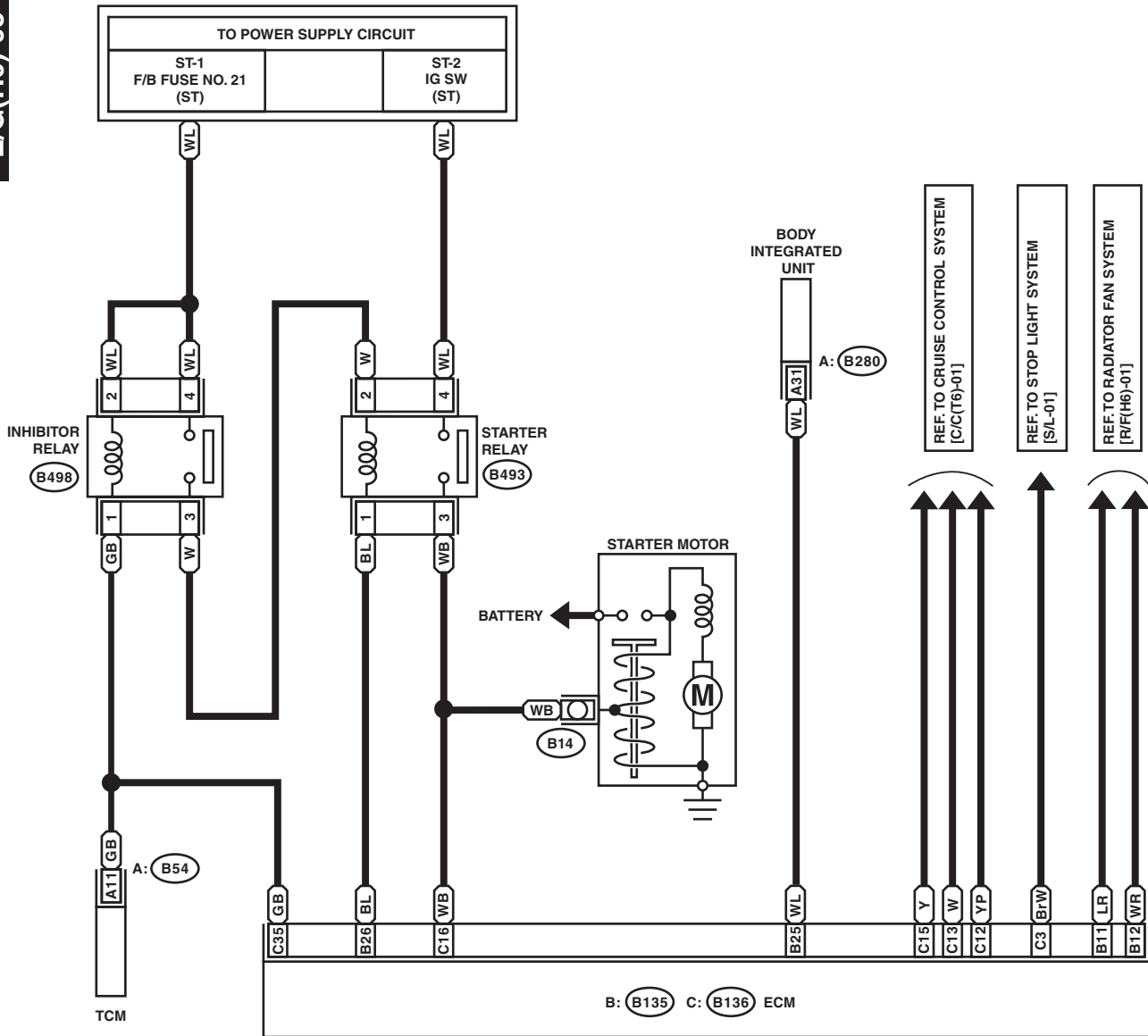
WI-25512

# Engine Electrical System

WIRING SYSTEM

E/G(H6)-03

E/G(H6)-03



(B493) (BLACK)

(B498) (BLACK)



A: (B280)

|    |    |    |    |    |    |    |    |    |    |
|----|----|----|----|----|----|----|----|----|----|
| 1  | 2  | 3  | 4  | 5  | 6  | 7  |    |    |    |
| 8  | 9  | 10 | 11 | 12 | 13 | 14 | 15 | 16 | 17 |
| 18 | 19 | 20 | 21 | 22 | 23 | 24 | 25 | 26 | 27 |
| 28 | 29 | 30 | 31 | 32 |    |    |    | 33 | 34 |

A: (B54)

B: (B135)

|    |    |    |    |    |    |    |    |    |    |    |    |
|----|----|----|----|----|----|----|----|----|----|----|----|
| 1  | 2  |    | 3  | 4  | 5  | 6  | 7  |    |    |    |    |
| 8  | 9  | 10 | 11 | 12 | 13 | 14 | 15 | 16 | 17 | 18 | 19 |
| 20 | 21 | 22 | 23 |    | 24 | 25 |    | 26 | 27 |    |    |
| 28 | 29 | 30 | 31 |    | 32 | 33 |    | 34 | 35 |    |    |

C: (B136)

|    |    |    |    |    |    |    |    |    |    |    |
|----|----|----|----|----|----|----|----|----|----|----|
|    | 1  | 2  | 3  | 4  | 5  | 6  |    |    |    |    |
|    | 7  | 8  | 9  | 10 | 11 | 12 | 13 | 14 | 15 | 16 |
| 17 | 18 | 19 | 20 | 21 | 22 | 23 | 24 | 25 | 26 | 27 |
| 28 | 29 | 30 |    |    |    | 31 | 32 | 33 | 34 | 35 |

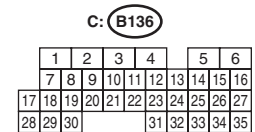
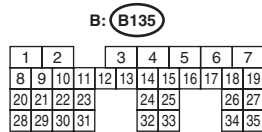
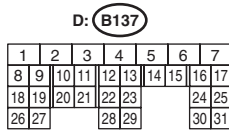
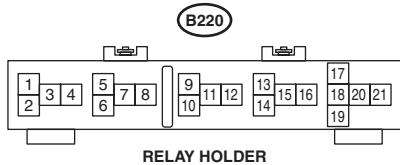
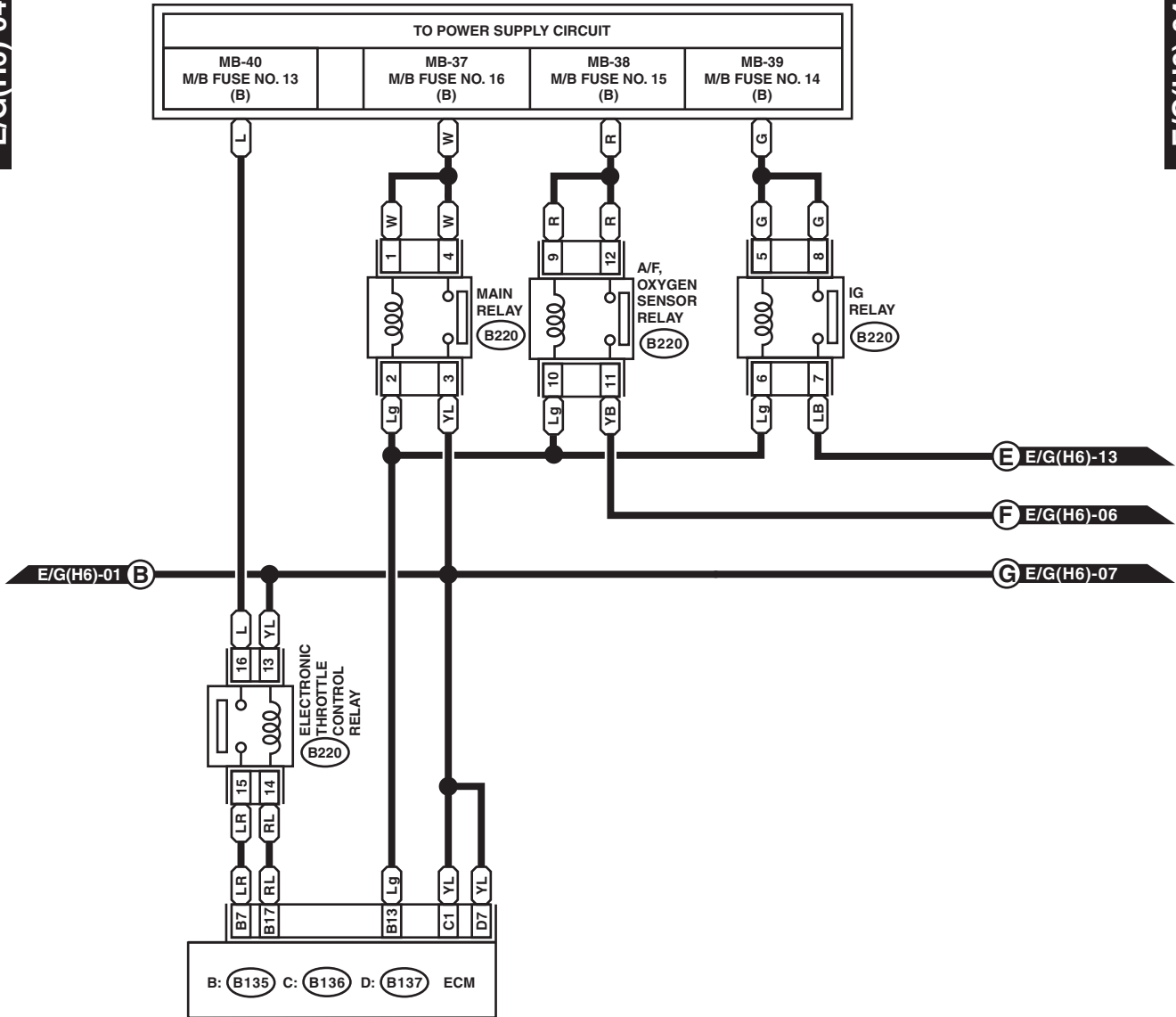
WI-25513

# Engine Electrical System

WIRING SYSTEM

E/G(H6)-04

E/G(H6)-04



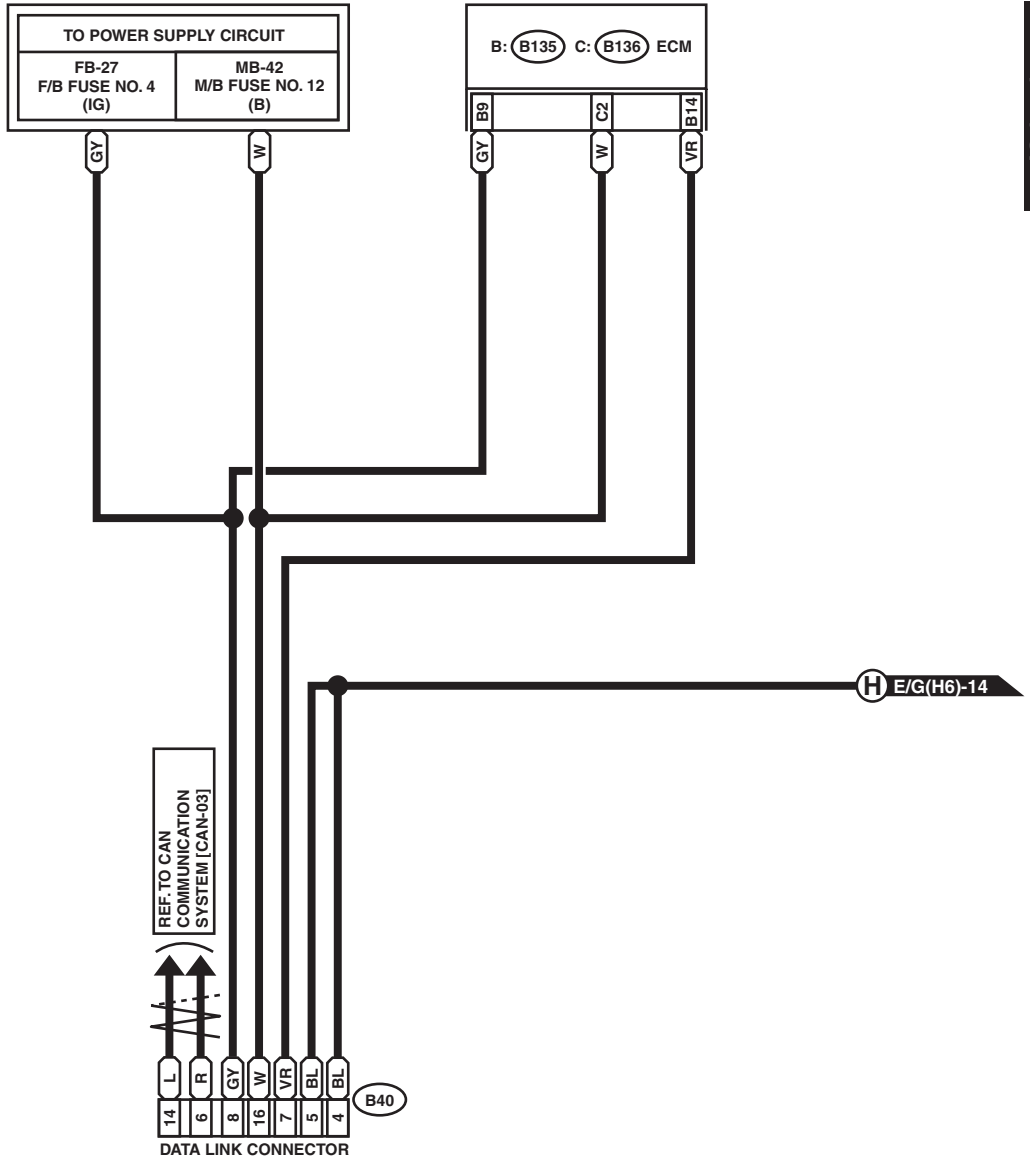
WI-25514

# Engine Electrical System

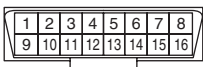
WIRING SYSTEM

E/G(H6)-05

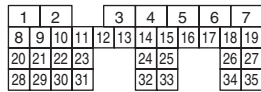
E/G(H6)-05



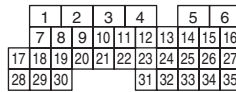
B40



B: (B135)



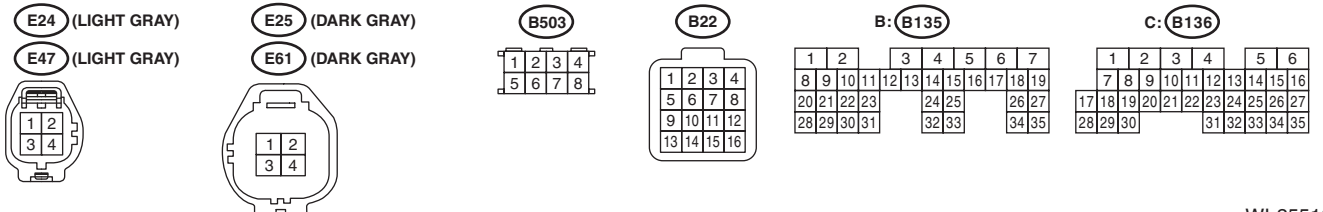
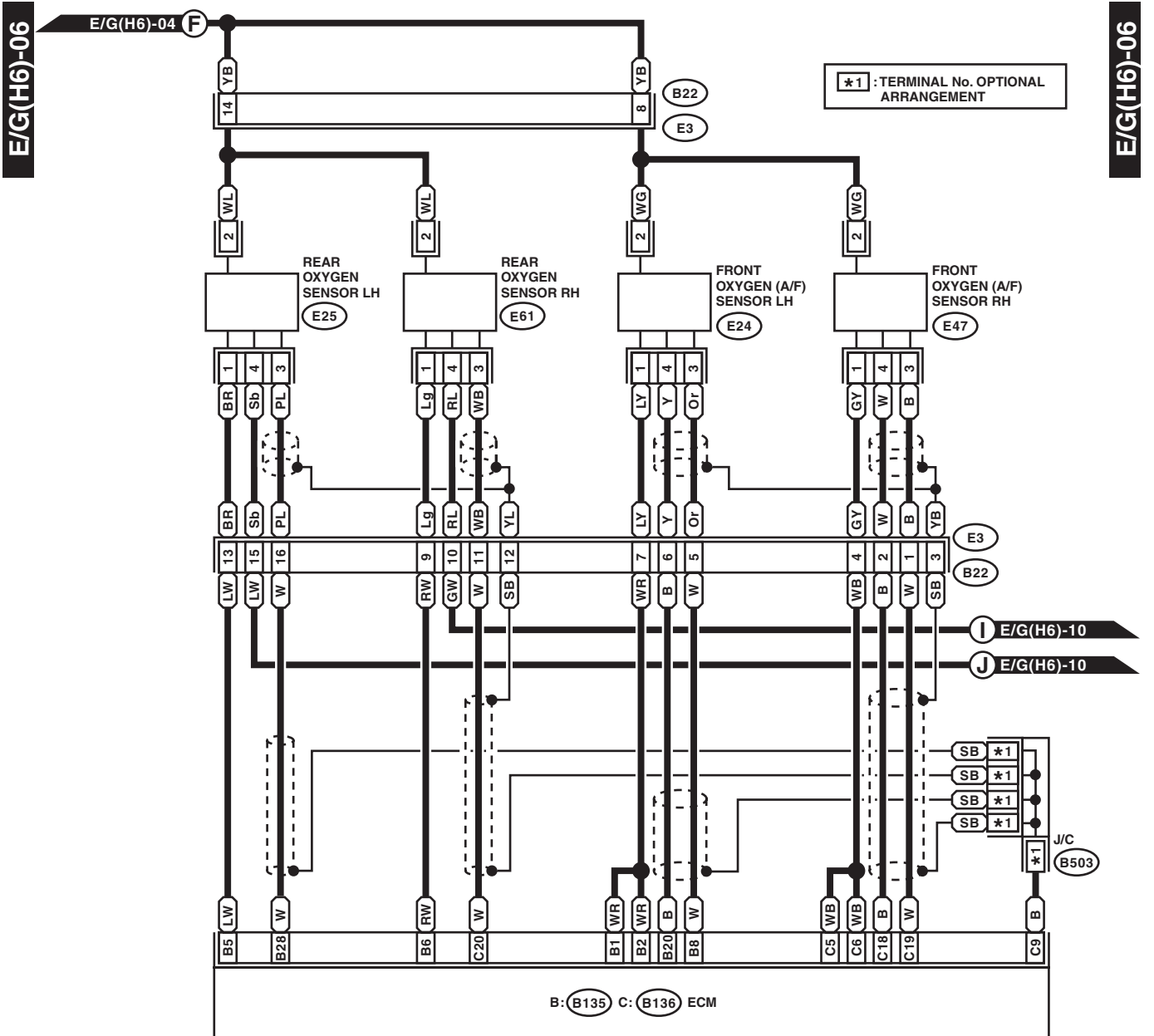
C: (B136)



WI-25515

# Engine Electrical System

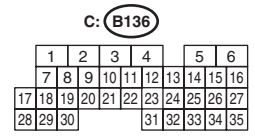
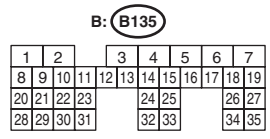
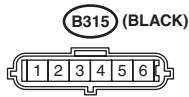
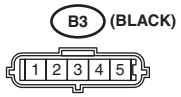
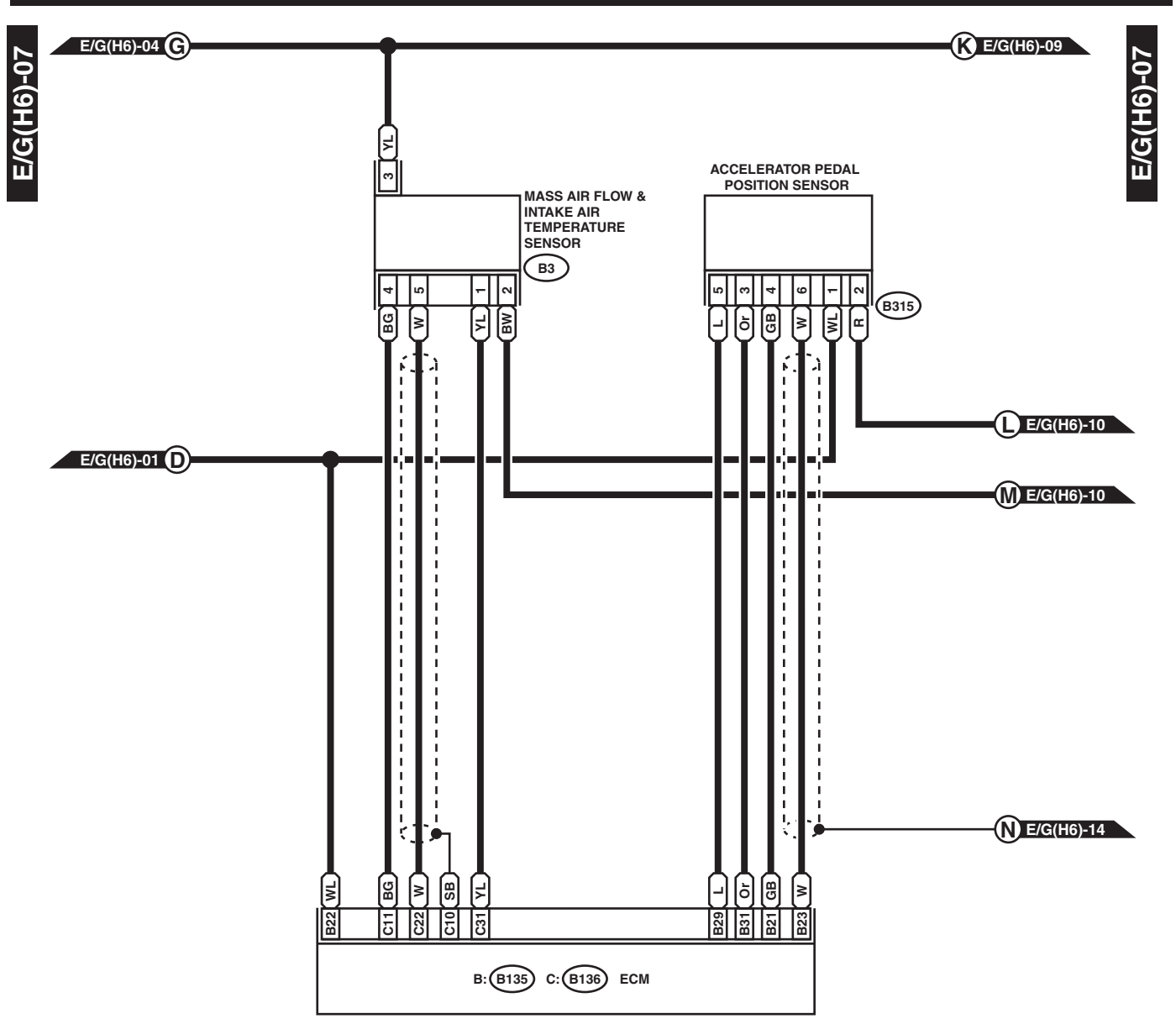
WIRING SYSTEM



WI-25516

# Engine Electrical System

## WIRING SYSTEM



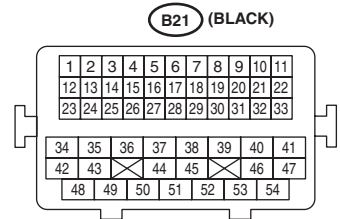
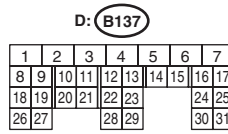
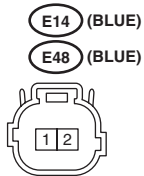
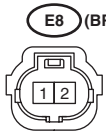
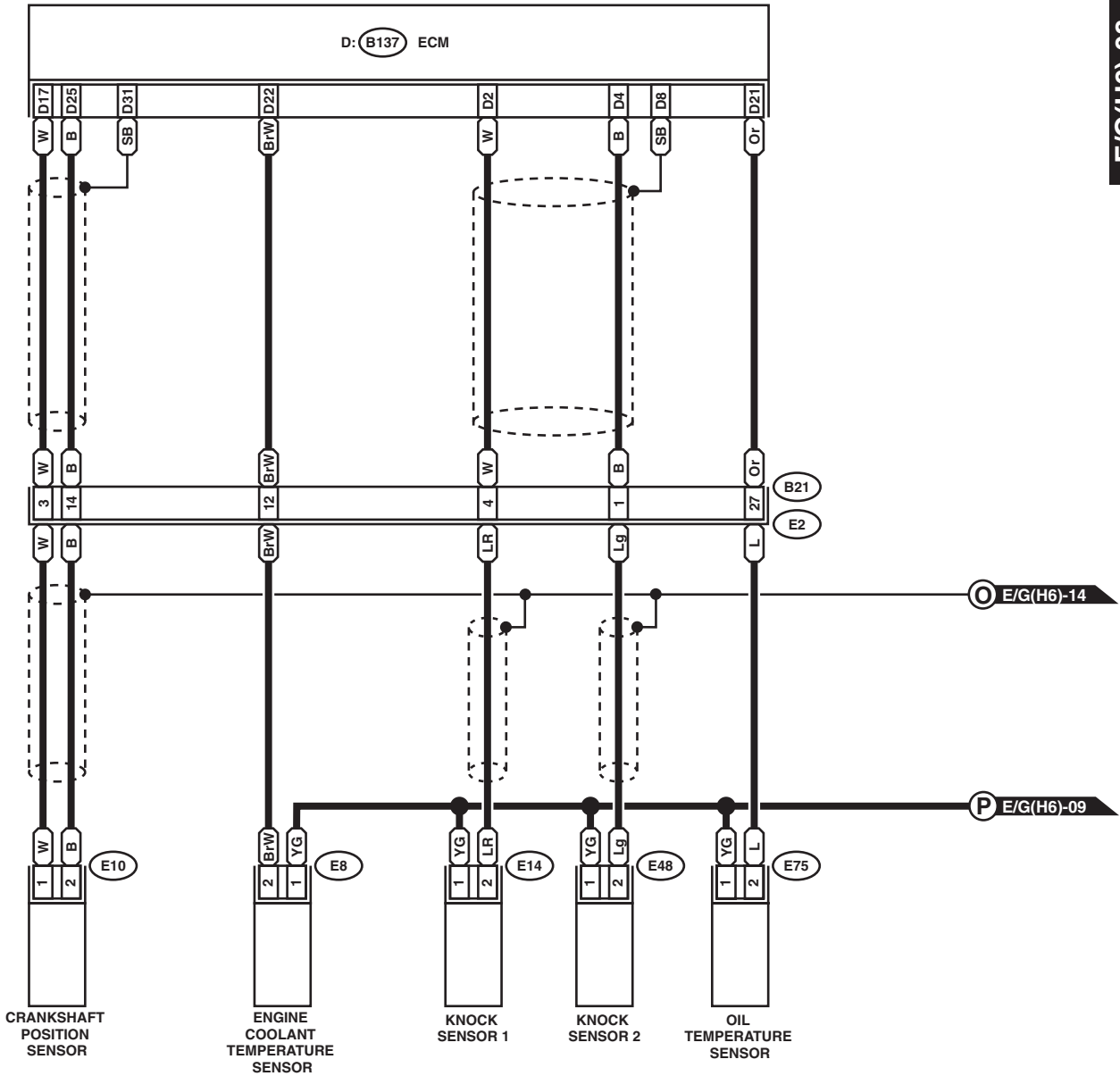
WI-25517

# Engine Electrical System

WIRING SYSTEM

E/G(H6)-08

E/G(H6)-08

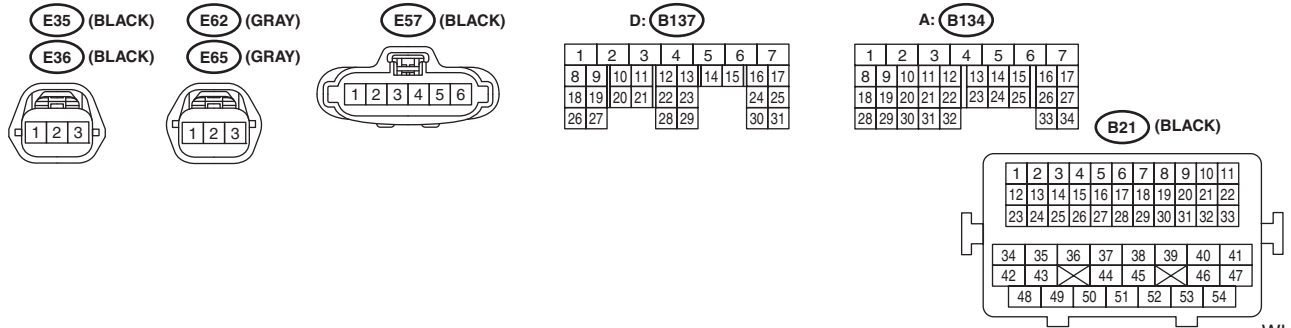
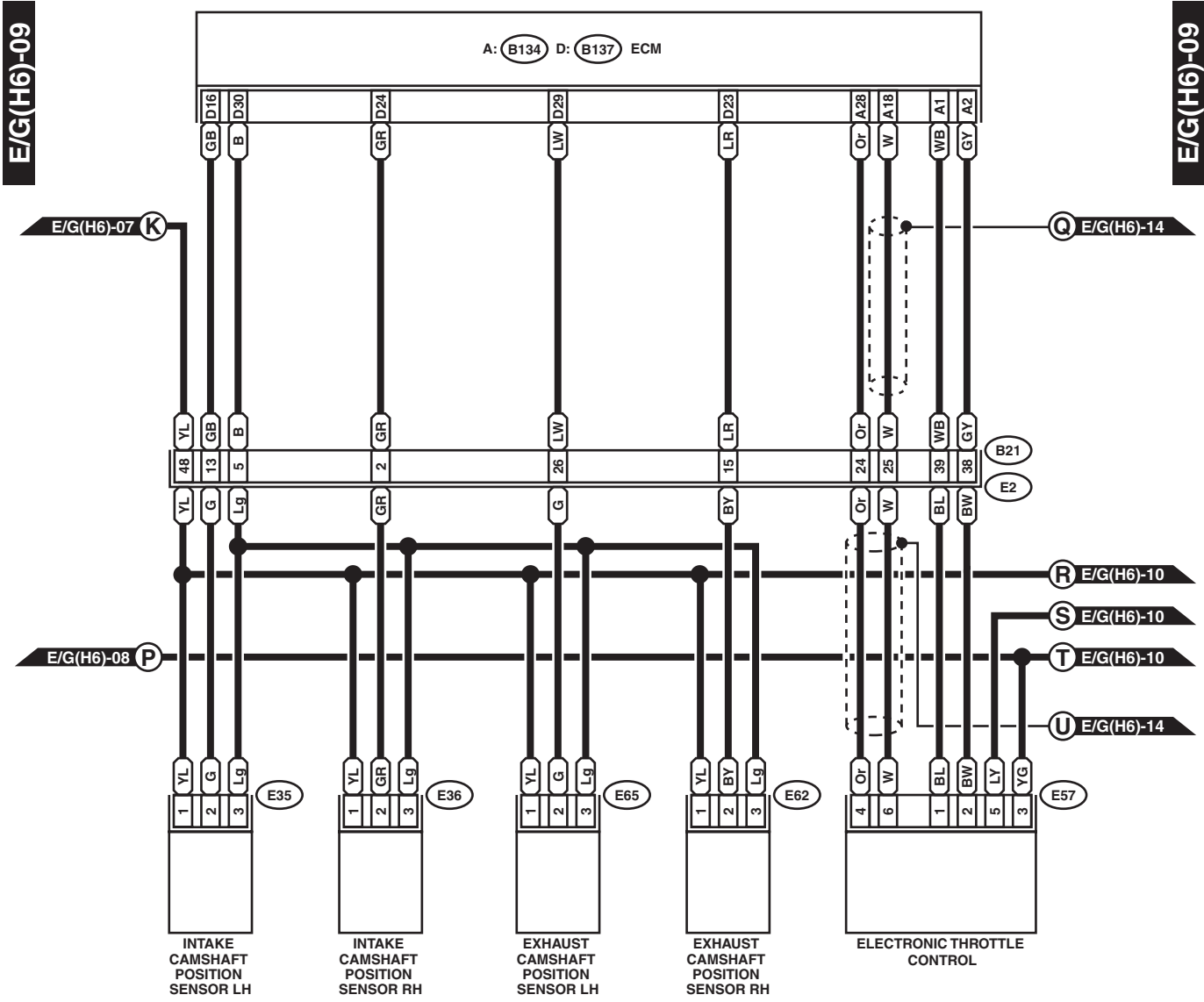


WI-25518



# Engine Electrical System

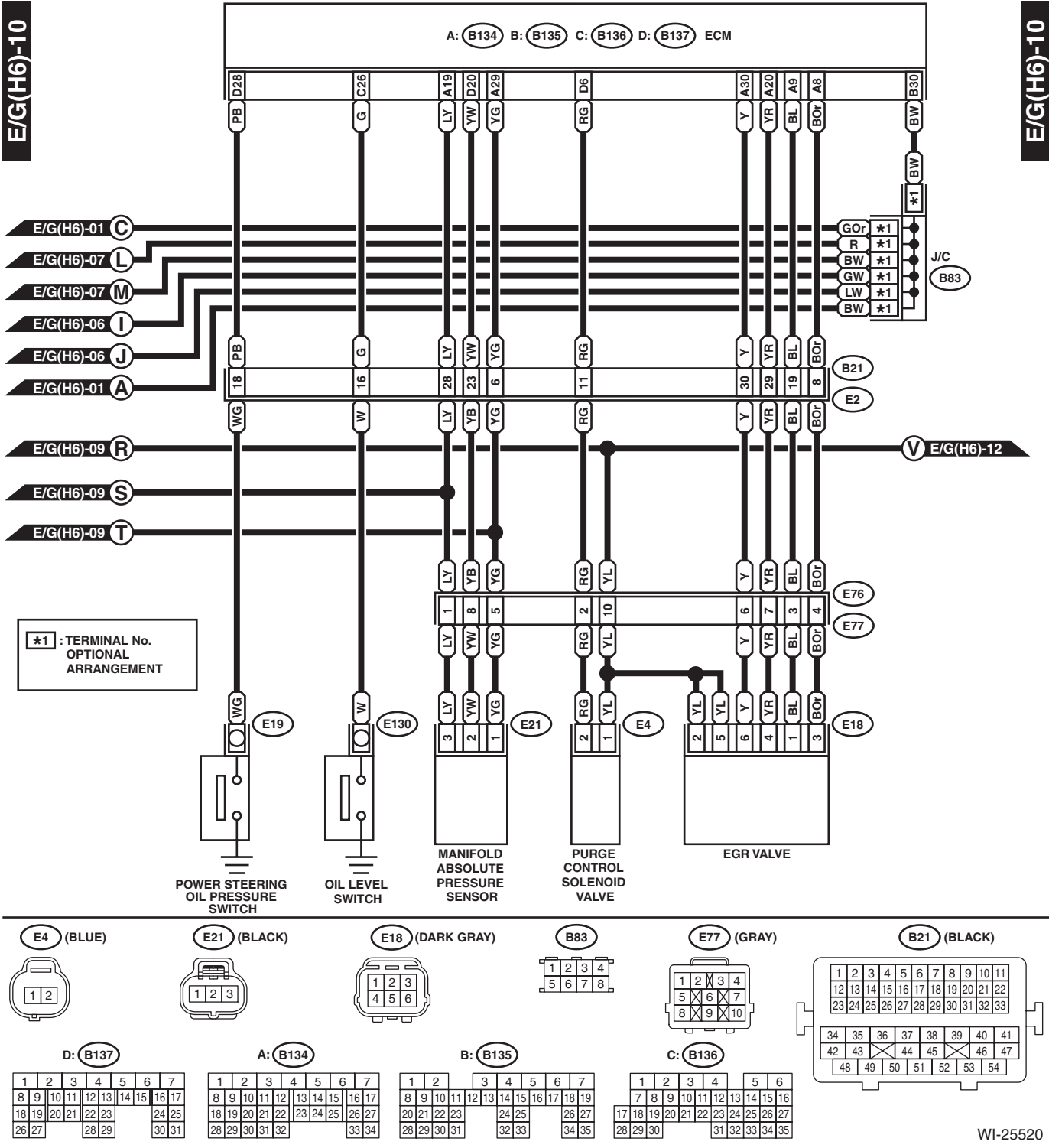
WIRING SYSTEM



WI-25519

# Engine Electrical System

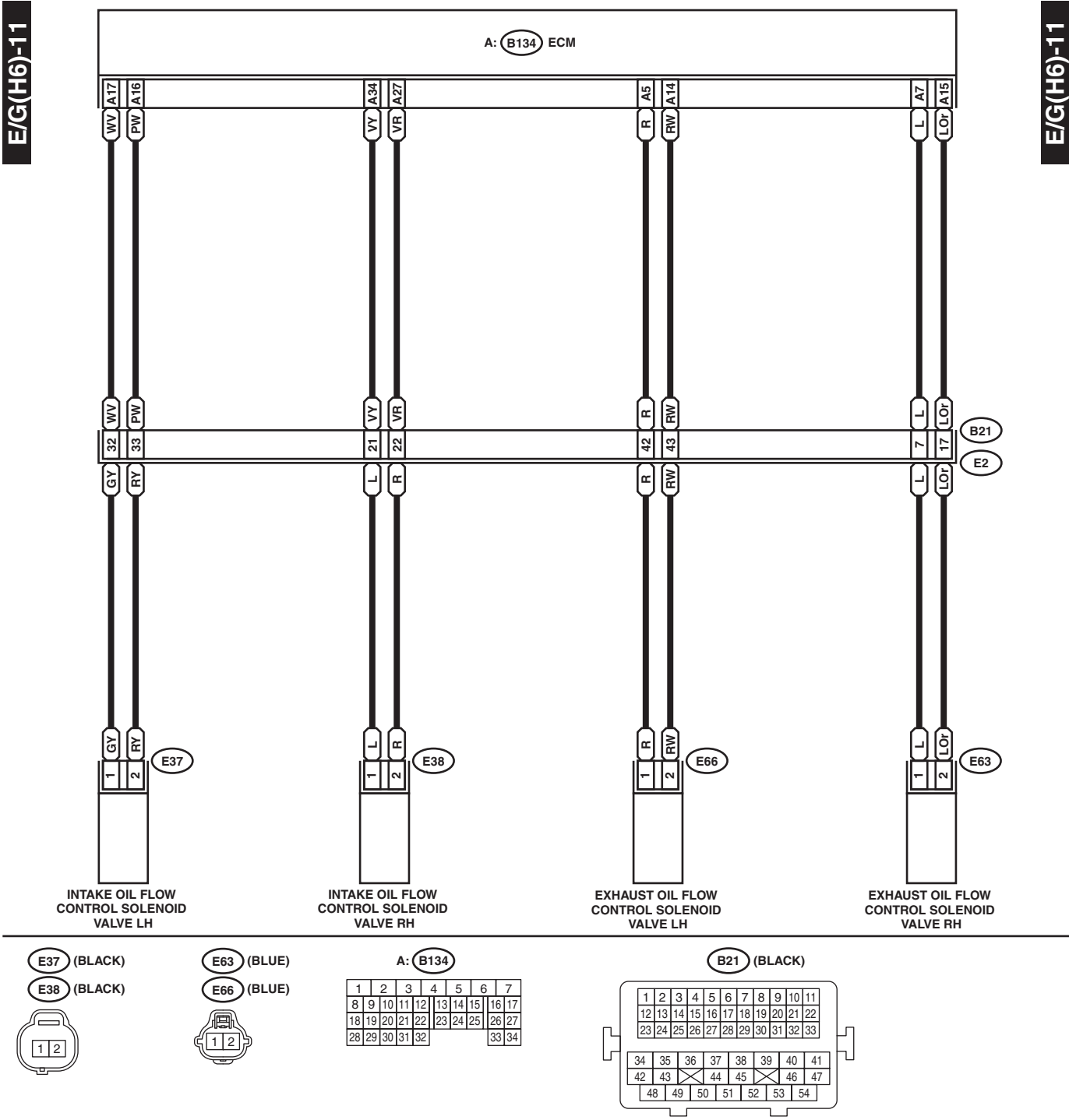
WIRING SYSTEM



WI-25520

# Engine Electrical System

WIRING SYSTEM



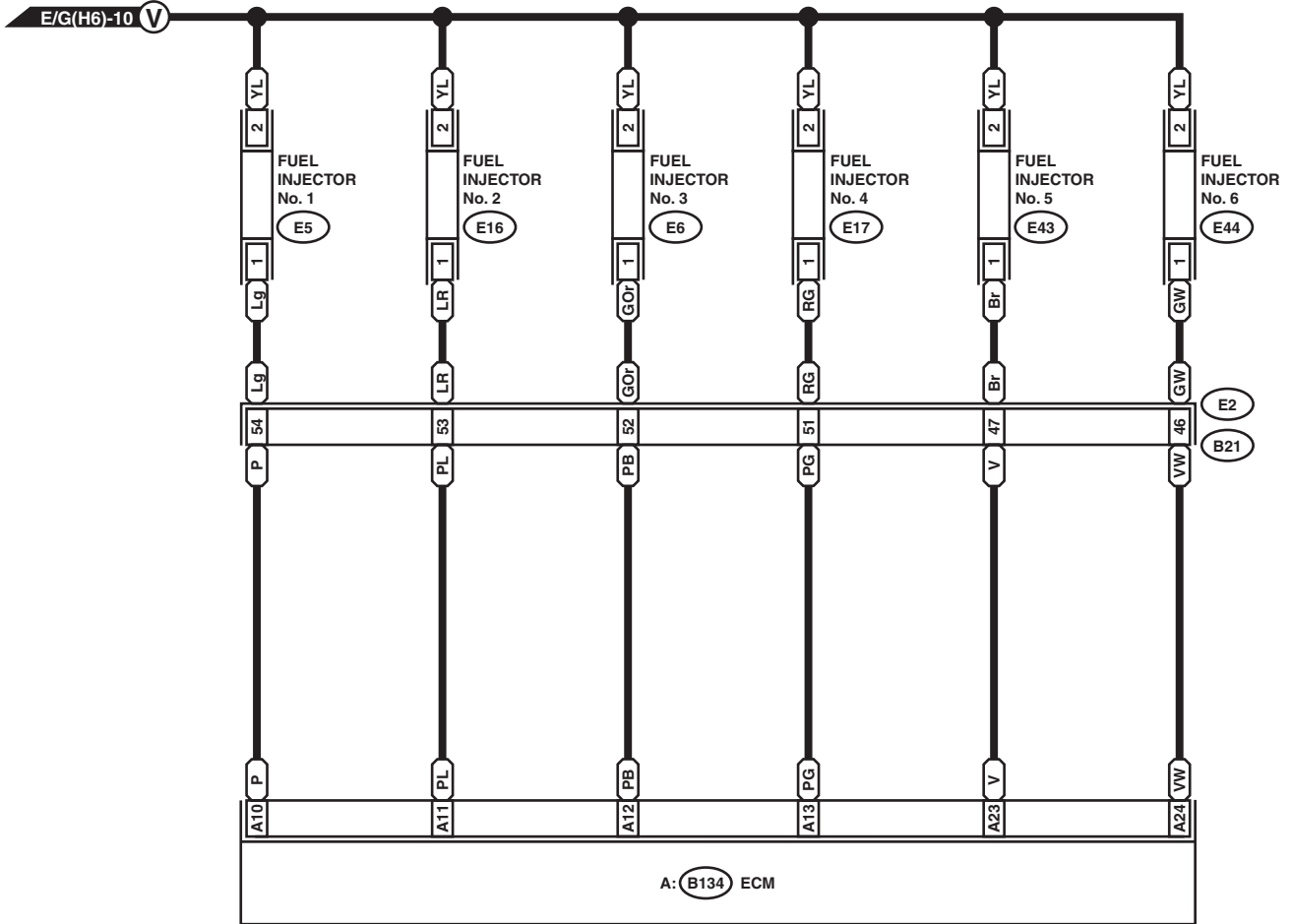
WI-25521

# Engine Electrical System

WIRING SYSTEM

E/G(H6)-12

E/G(H6)-12



- (DARK GRAY) E5 (DARK GRAY) E17
- (DARK GRAY) E6 (DARK GRAY) E43
- (DARK GRAY) E16 (DARK GRAY) E44



A: B134

|    |    |    |    |    |    |    |    |    |    |
|----|----|----|----|----|----|----|----|----|----|
| 1  | 2  | 3  | 4  | 5  | 6  | 7  |    |    |    |
| 8  | 9  | 10 | 11 | 12 | 13 | 14 | 15 | 16 | 17 |
| 18 | 19 | 20 | 21 | 22 | 23 | 24 | 25 | 26 | 27 |
| 28 | 29 | 30 | 31 | 32 |    |    |    | 33 | 34 |

B21 (BLACK)

|    |    |    |    |    |    |    |    |    |    |    |
|----|----|----|----|----|----|----|----|----|----|----|
| 1  | 2  | 3  | 4  | 5  | 6  | 7  | 8  | 9  | 10 | 11 |
| 12 | 13 | 14 | 15 | 16 | 17 | 18 | 19 | 20 | 21 | 22 |
| 23 | 24 | 25 | 26 | 27 | 28 | 29 | 30 | 31 | 32 | 33 |
| 34 | 35 | 36 | 37 | 38 | 39 | 40 | 41 |    |    |    |
| 42 | 43 | 44 | 45 | 46 | 47 |    |    |    |    |    |
| 48 | 49 | 50 | 51 | 52 | 53 | 54 |    |    |    |    |

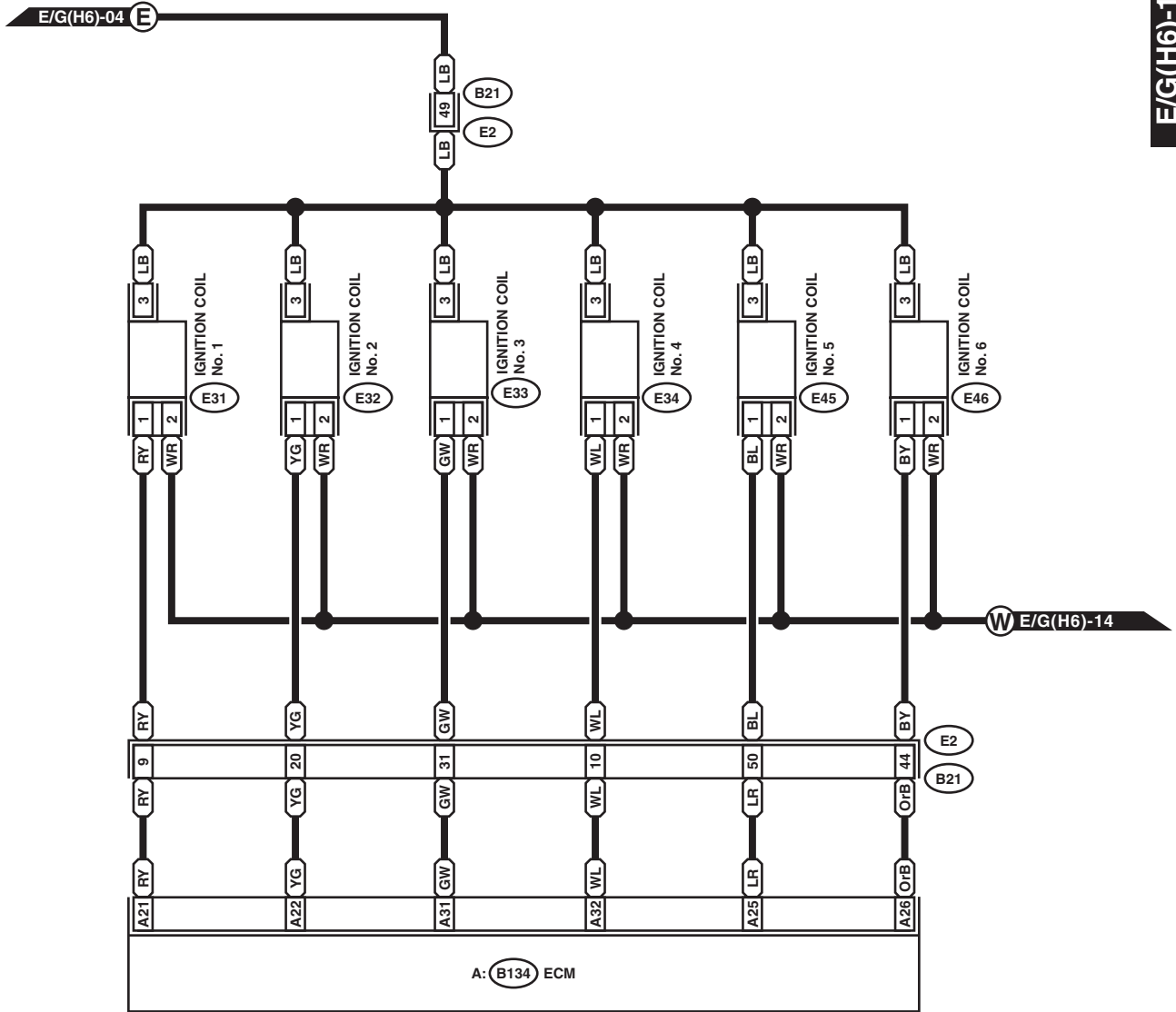
WI-25522

# Engine Electrical System

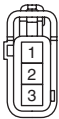
WIRING SYSTEM

E/G(H6)-13

E/G(H6)-13



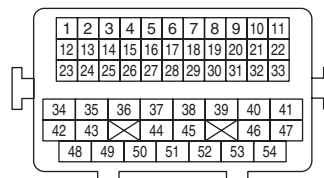
- (GRAY) E31      E34 (GRAY)
- (GRAY) E32      E45 (GRAY)
- (GRAY) E33      E46 (GRAY)



A: B134

|    |    |    |    |    |    |    |
|----|----|----|----|----|----|----|
| 1  | 2  | 3  | 4  | 5  | 6  | 7  |
| 8  | 9  | 10 | 11 | 12 | 13 | 14 |
| 15 | 16 | 17 | 18 | 19 | 20 | 21 |
| 22 | 23 | 24 | 25 | 26 | 27 | 28 |
| 29 | 30 | 31 | 32 | 33 | 34 |    |

B21 (BLACK)



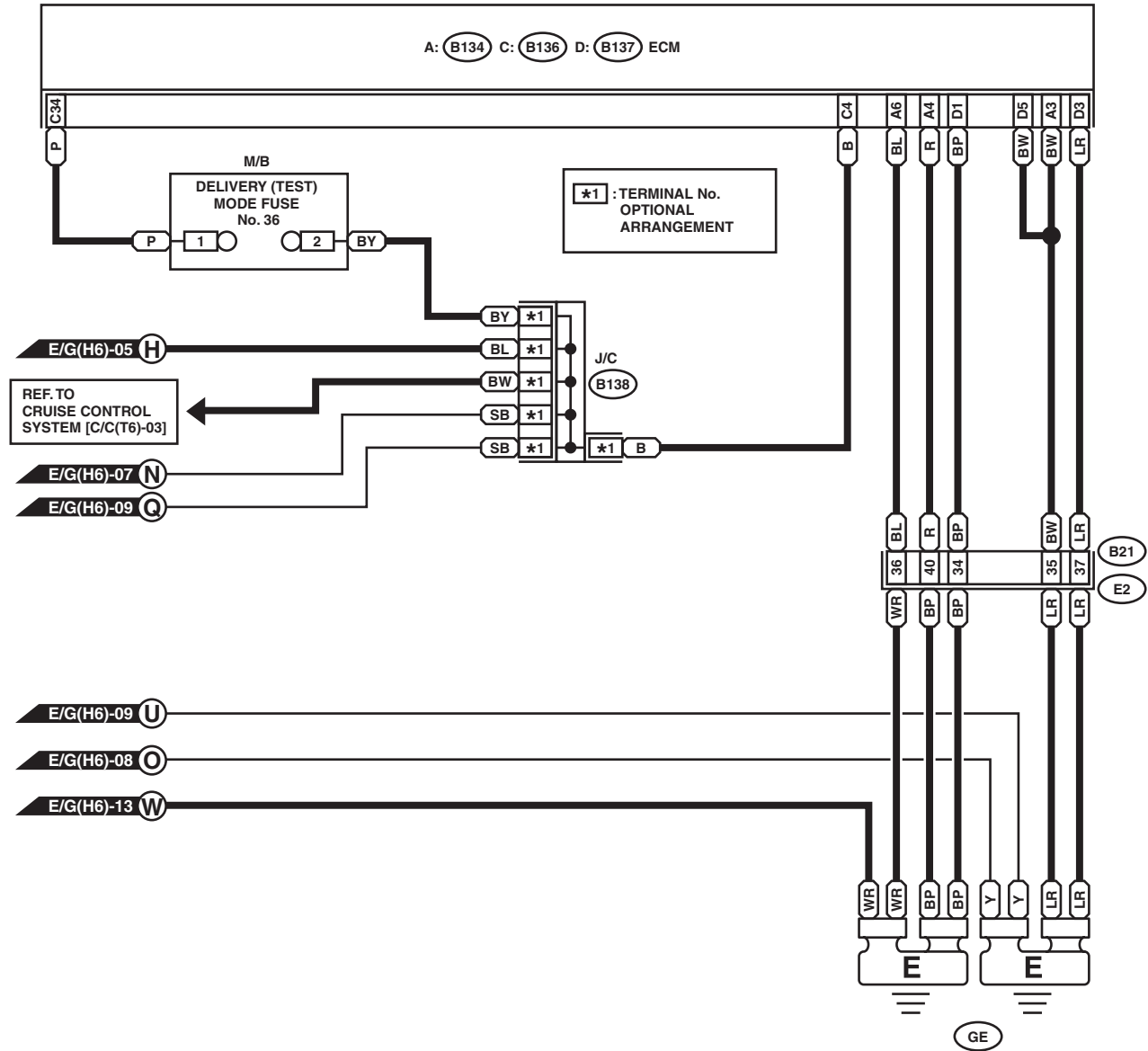
WI-25523

# Engine Electrical System

WIRING SYSTEM

E/G(H6)-14

E/G(H6)-14



(B138)

|   |   |   |   |
|---|---|---|---|
| 1 | 2 | 3 | 4 |
| 5 | 6 | 7 | 8 |

D: (B137)

|    |    |    |    |    |    |    |
|----|----|----|----|----|----|----|
| 1  | 2  | 3  | 4  | 5  | 6  | 7  |
| 8  | 9  | 10 | 11 | 12 | 13 | 14 |
| 15 | 16 | 17 | 18 | 19 | 20 | 21 |
| 22 | 23 | 24 | 25 | 26 | 27 | 28 |
| 29 | 30 | 31 | 32 | 33 | 34 | 35 |

A: (B134)

|    |    |    |    |    |    |    |
|----|----|----|----|----|----|----|
| 1  | 2  | 3  | 4  | 5  | 6  | 7  |
| 8  | 9  | 10 | 11 | 12 | 13 | 14 |
| 15 | 16 | 17 | 18 | 19 | 20 | 21 |
| 22 | 23 | 24 | 25 | 26 | 27 | 28 |
| 29 | 30 | 31 | 32 | 33 | 34 | 35 |

C: (B136)

|    |    |    |    |    |    |
|----|----|----|----|----|----|
| 1  | 2  | 3  | 4  | 5  | 6  |
| 7  | 8  | 9  | 10 | 11 | 12 |
| 13 | 14 | 15 | 16 | 17 | 18 |
| 19 | 20 | 21 | 22 | 23 | 24 |
| 25 | 26 | 27 | 28 | 29 | 30 |
| 31 | 32 | 33 | 34 | 35 | 36 |

(B21) (BLACK)

|    |    |    |    |    |    |    |    |    |    |    |
|----|----|----|----|----|----|----|----|----|----|----|
| 1  | 2  | 3  | 4  | 5  | 6  | 7  | 8  | 9  | 10 | 11 |
| 12 | 13 | 14 | 15 | 16 | 17 | 18 | 19 | 20 | 21 | 22 |
| 23 | 24 | 25 | 26 | 27 | 28 | 29 | 30 | 31 | 32 | 33 |
| 34 | 35 | 36 | 37 | 38 | 39 | 40 | 41 | 42 | 43 | 44 |
| 45 | 46 | 47 | 48 | 49 | 50 | 51 | 52 | 53 | 54 | 55 |

WI-25524