

Front Accessory Power Supply Socket System

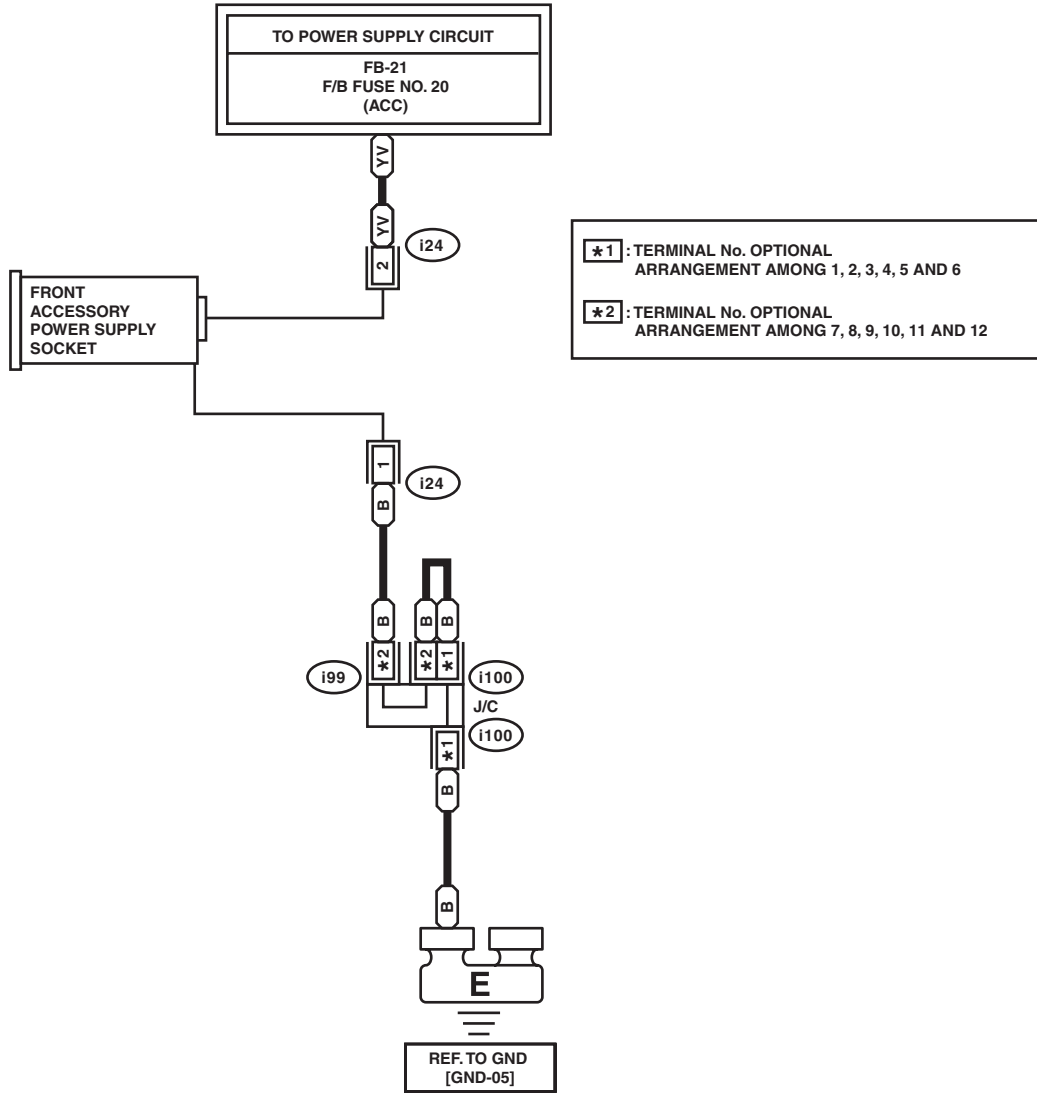
WIRING SYSTEM

20. Front Accessory Power Supply Socket System

A: WIRING DIAGRAM

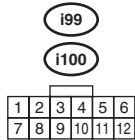
FAPS-01

FAPS-01



*1 : TERMINAL No. OPTIONAL
ARRANGEMENT AMONG 1, 2, 3, 4, 5 AND 6

*2 : TERMINAL No. OPTIONAL
ARRANGEMENT AMONG 7, 8, 9, 10, 11 AND 12



WI-25525