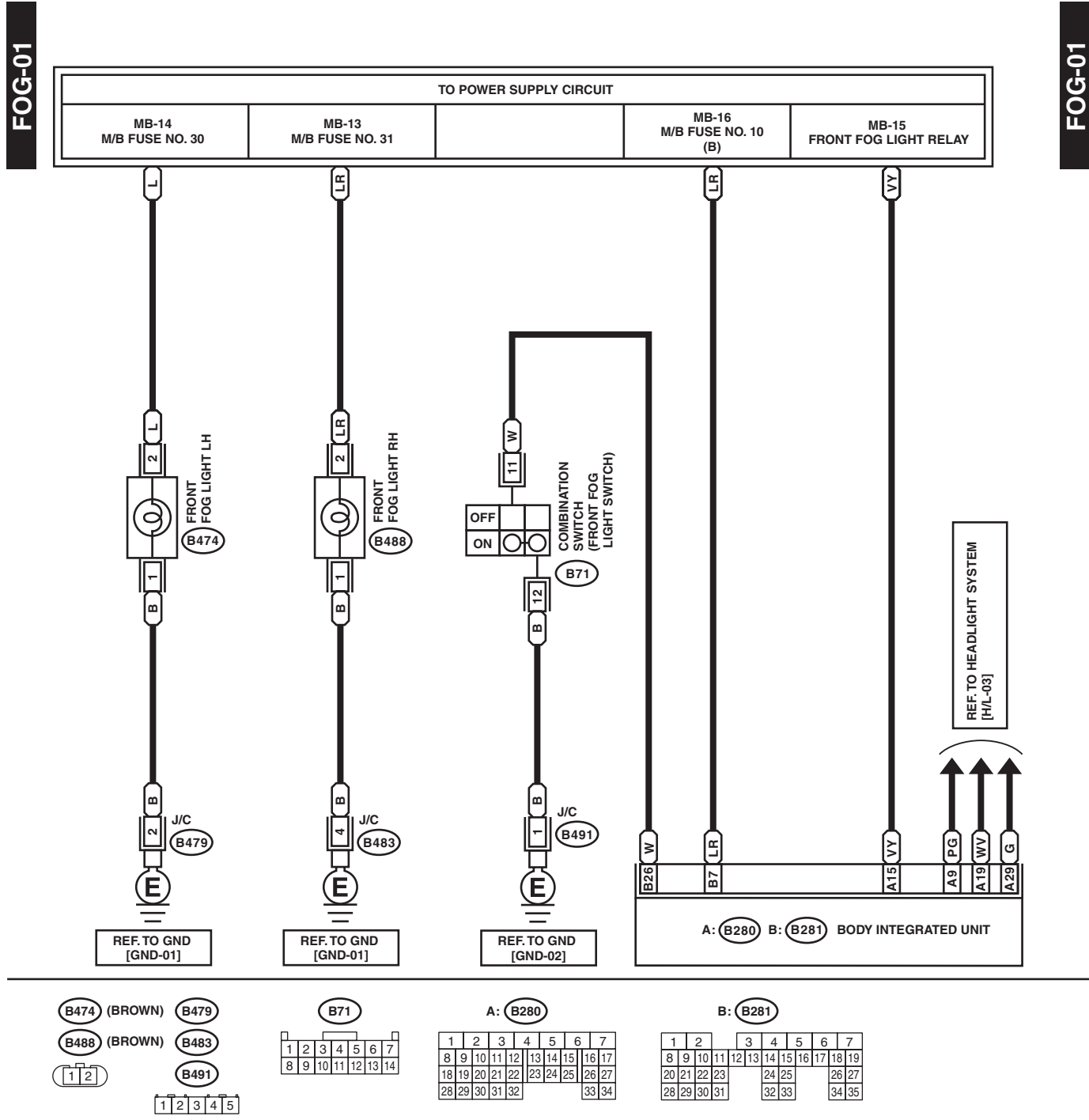


21. Front Fog Light System

A: WIRING DIAGRAM

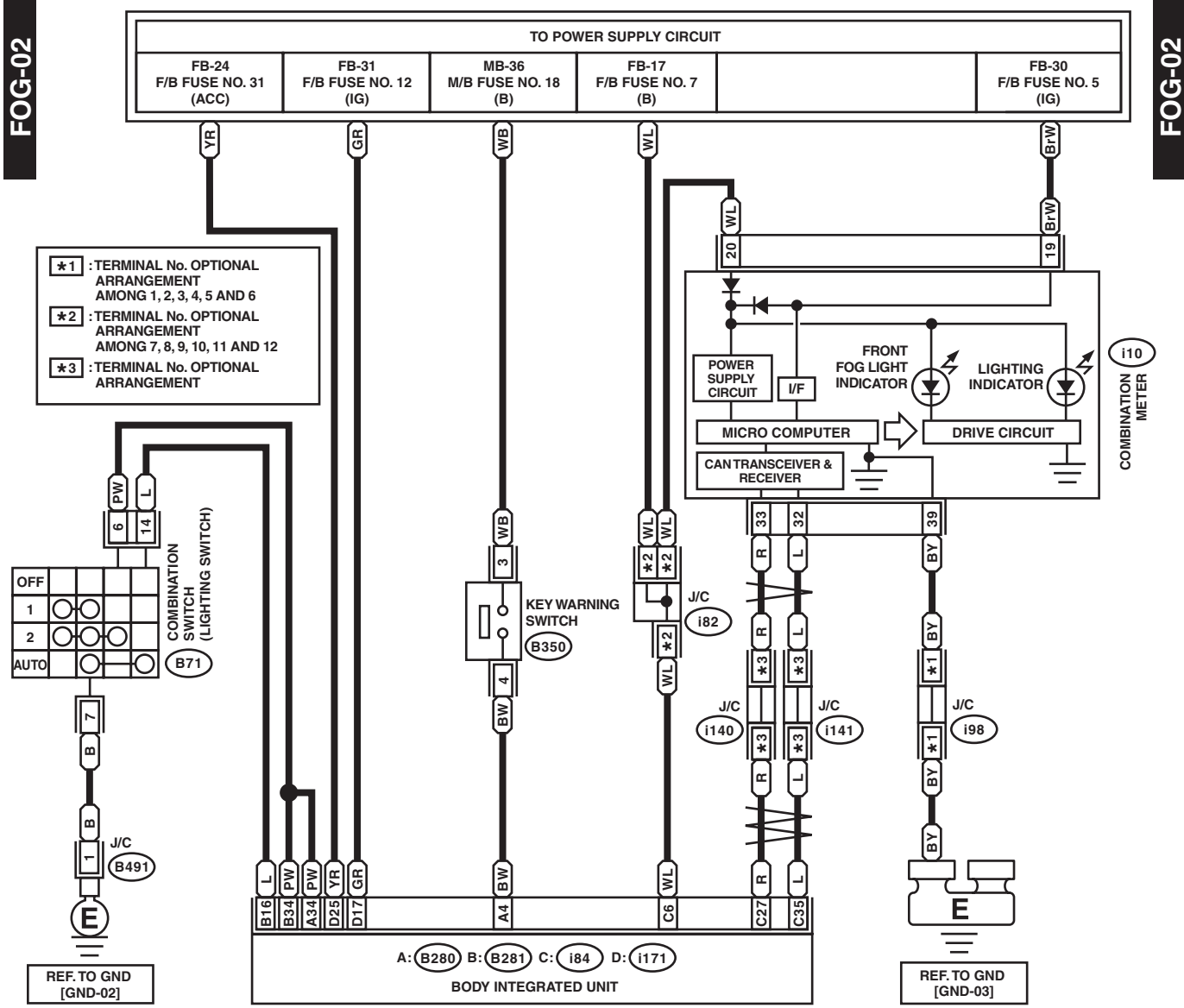


Front Fog Light System

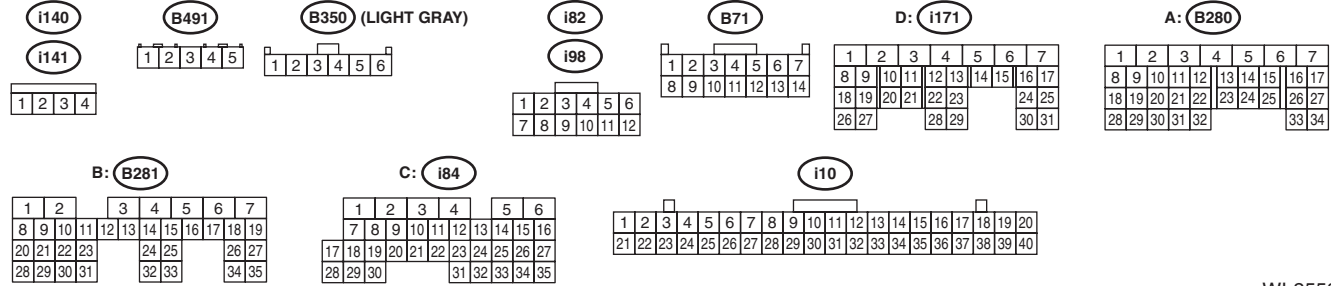
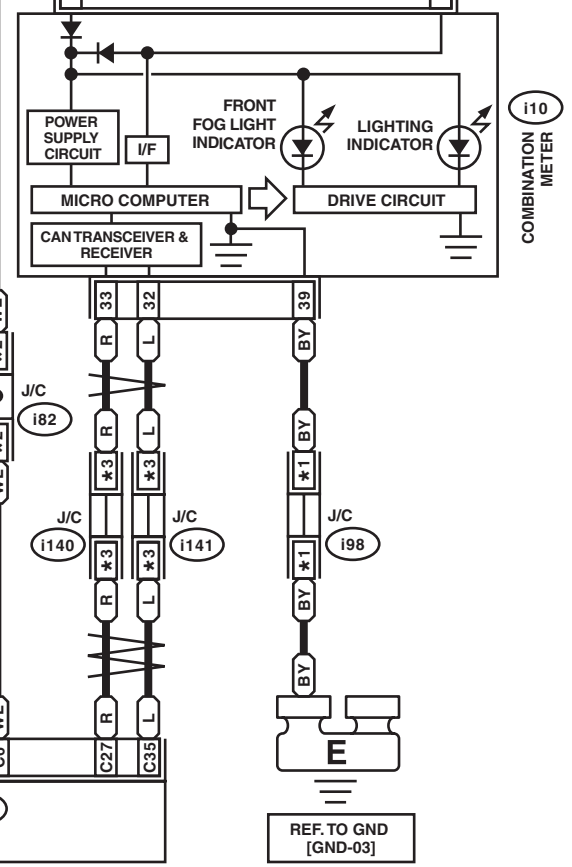
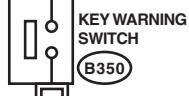
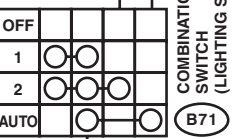
WIRING SYSTEM

FOG-02

FOG-02



- *1 : TERMINAL No. OPTIONAL ARRANGEMENT AMONG 1, 2, 3, 4, 5 AND 6
- *2 : TERMINAL No. OPTIONAL ARRANGEMENT AMONG 7, 8, 9, 10, 11 AND 12
- *3 : TERMINAL No. OPTIONAL ARRANGEMENT



WI-25527