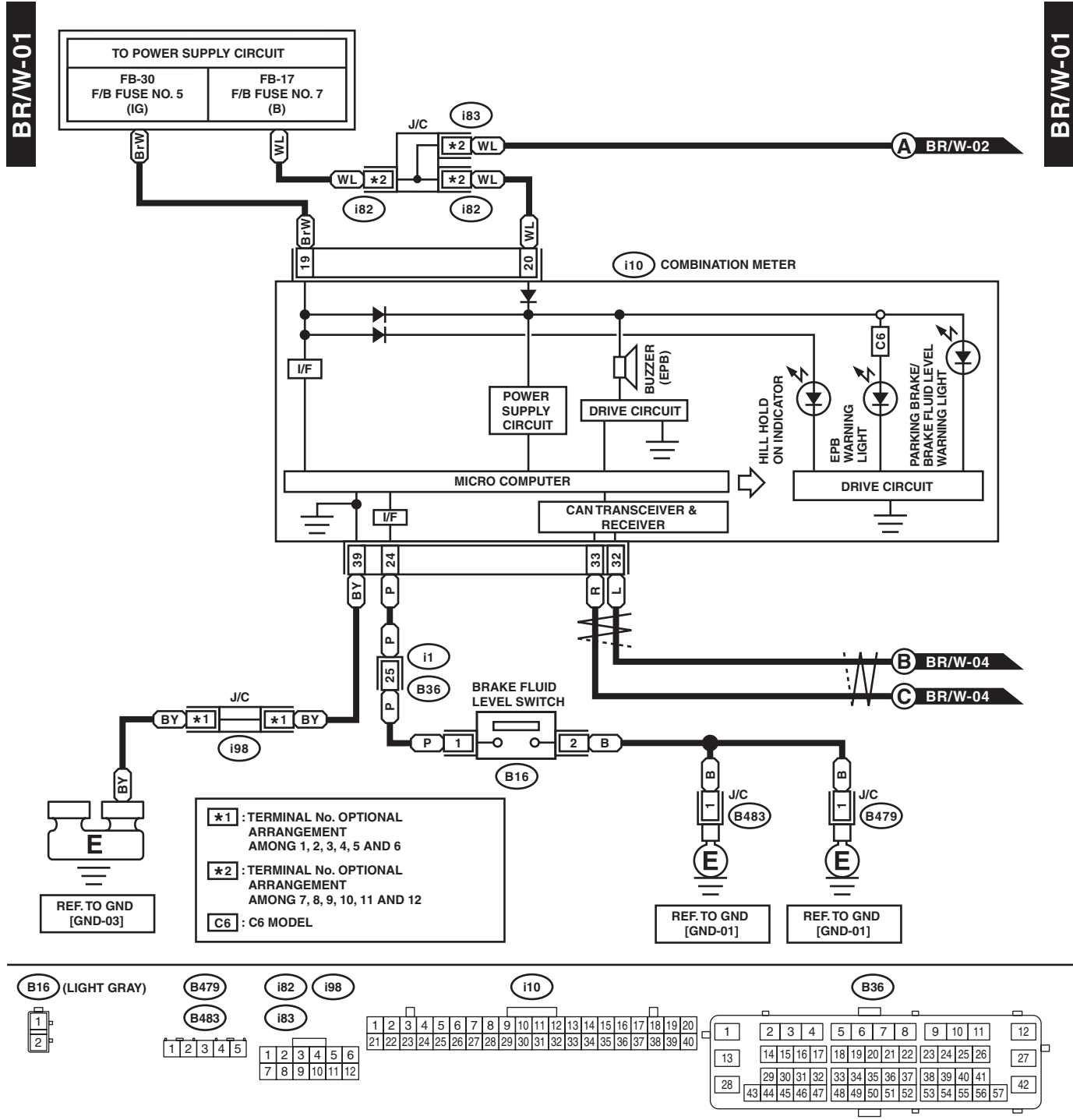


Parking Brake / Brake Fluid Level Warning Light System

WIRING SYSTEM

32. Parking Brake / Brake Fluid Level Warning Light System

A: WIRING DIAGRAM



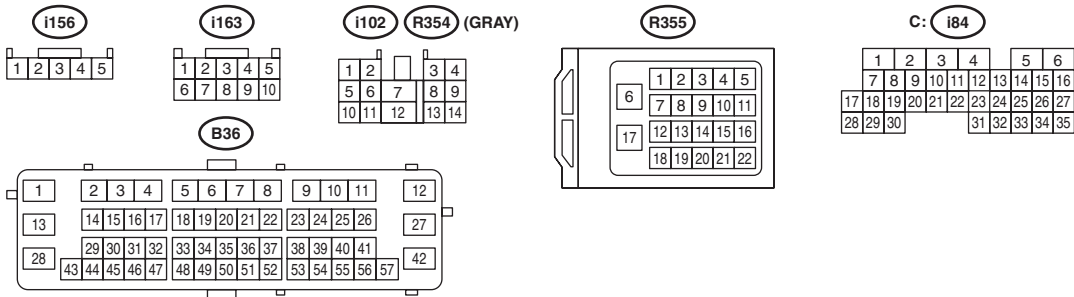
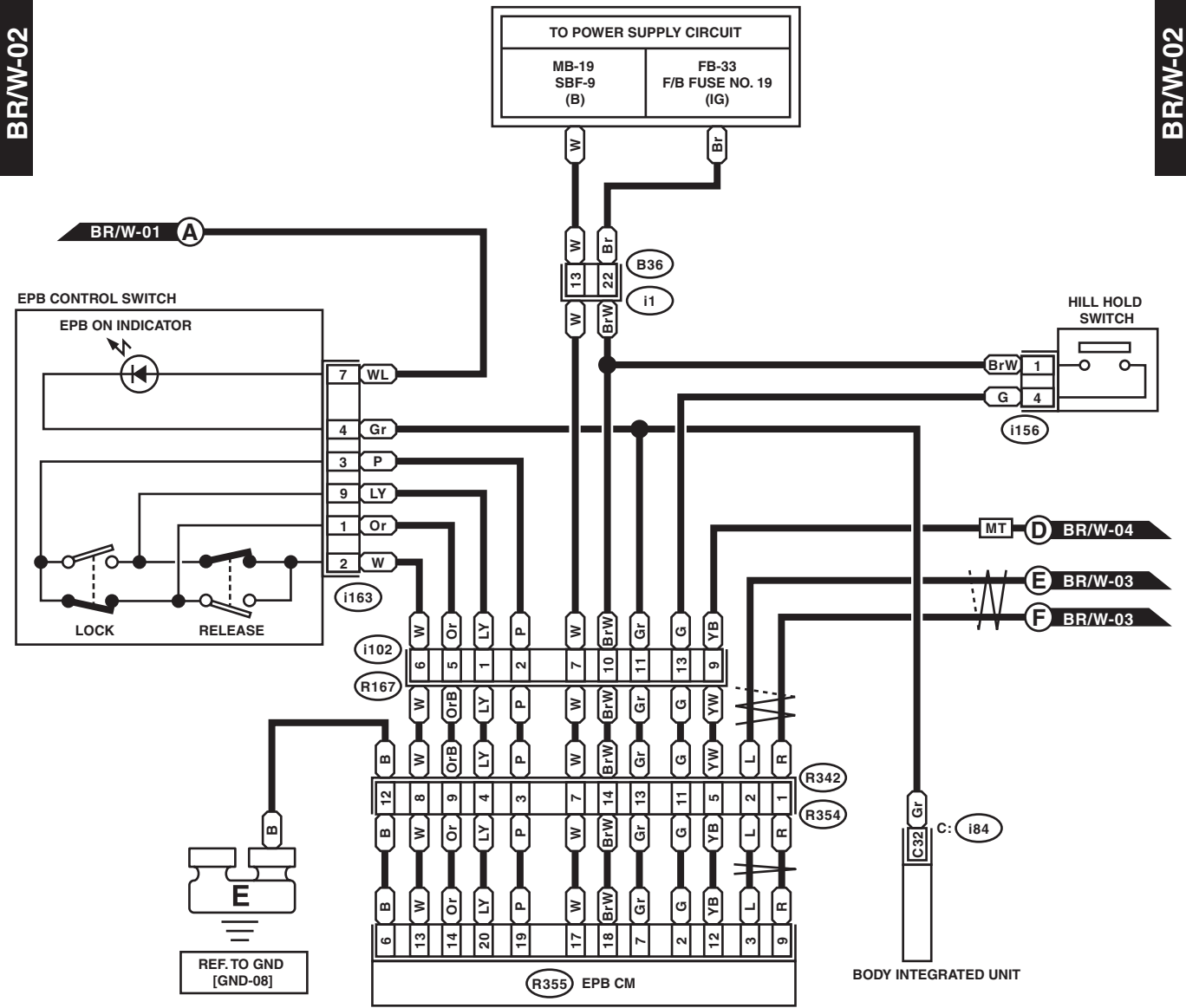
WI-25552

Parking Brake / Brake Fluid Level Warning Light System

WIRING SYSTEM

BR/W-02

BR/W-02



WI-25553

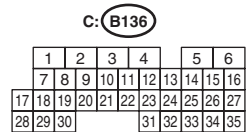
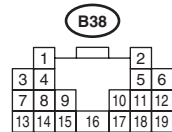
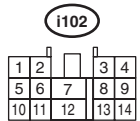
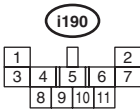
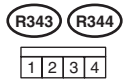
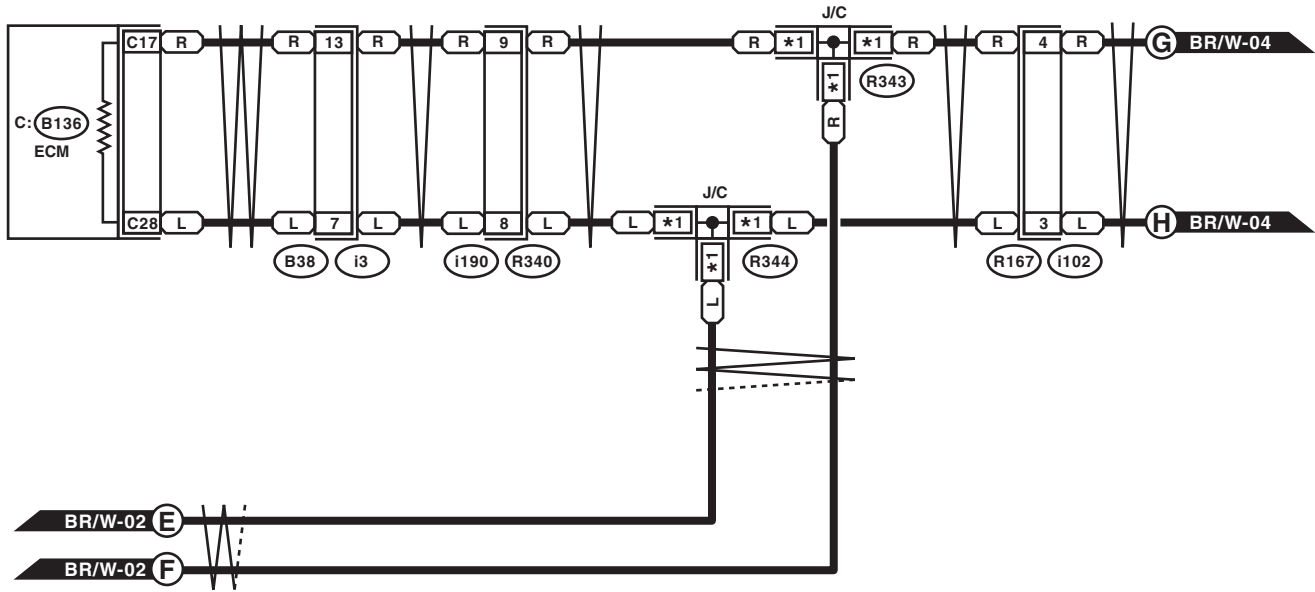
Parking Brake / Brake Fluid Level Warning Light System

WIRING SYSTEM

BR/W-03

BR/W-03

*1: TERMINAL No. OPTIONAL ARRANGEMENT



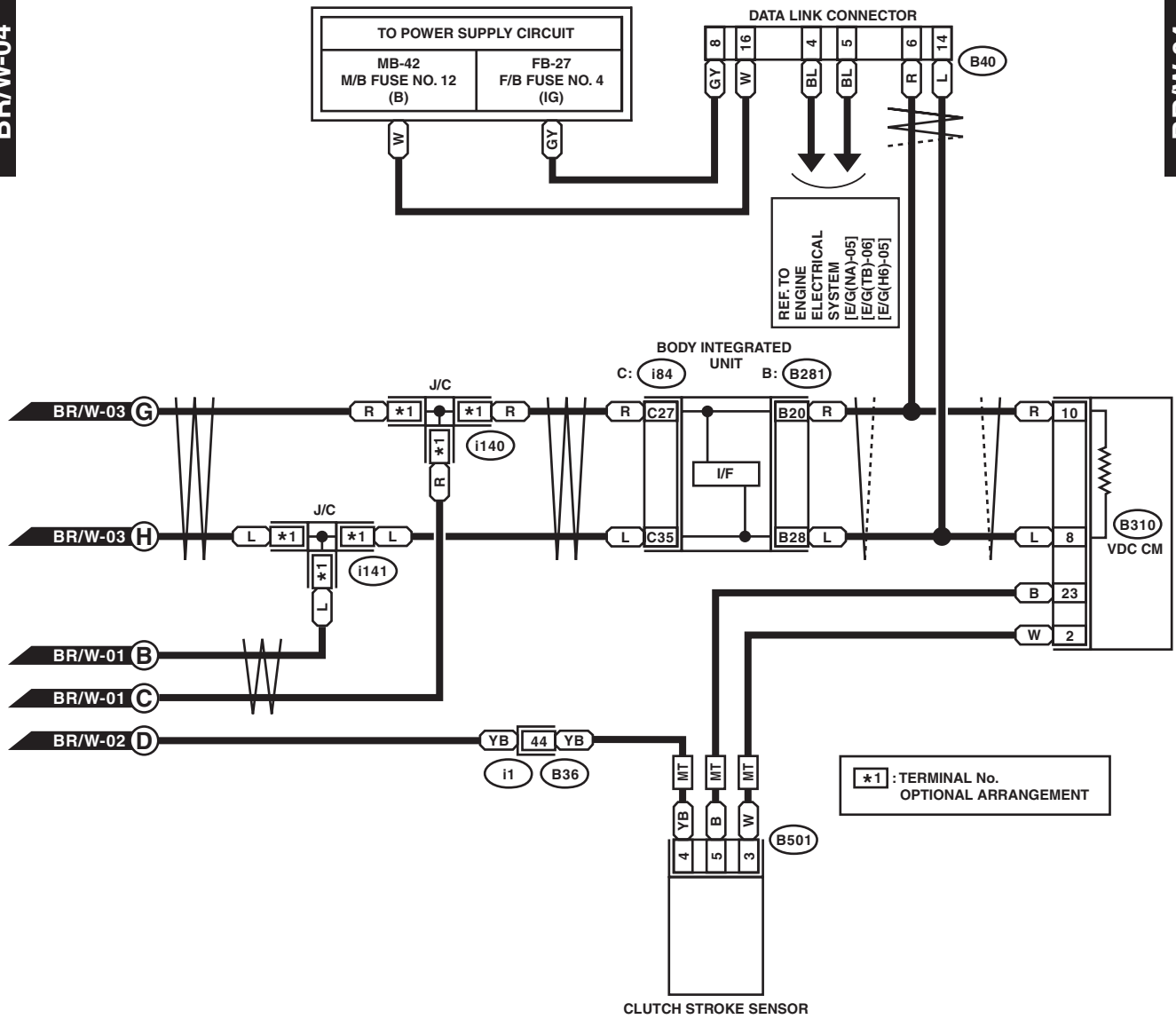
WI-25554

Parking Brake / Brake Fluid Level Warning Light System

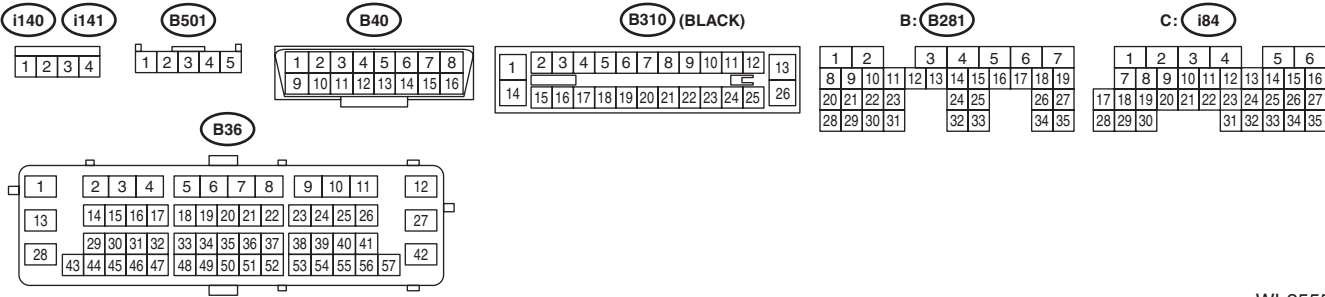
WIRING SYSTEM

BR/W-04

BR/W-04



*1 : TERMINAL No.
OPTIONAL ARRANGEMENT



WI-25555