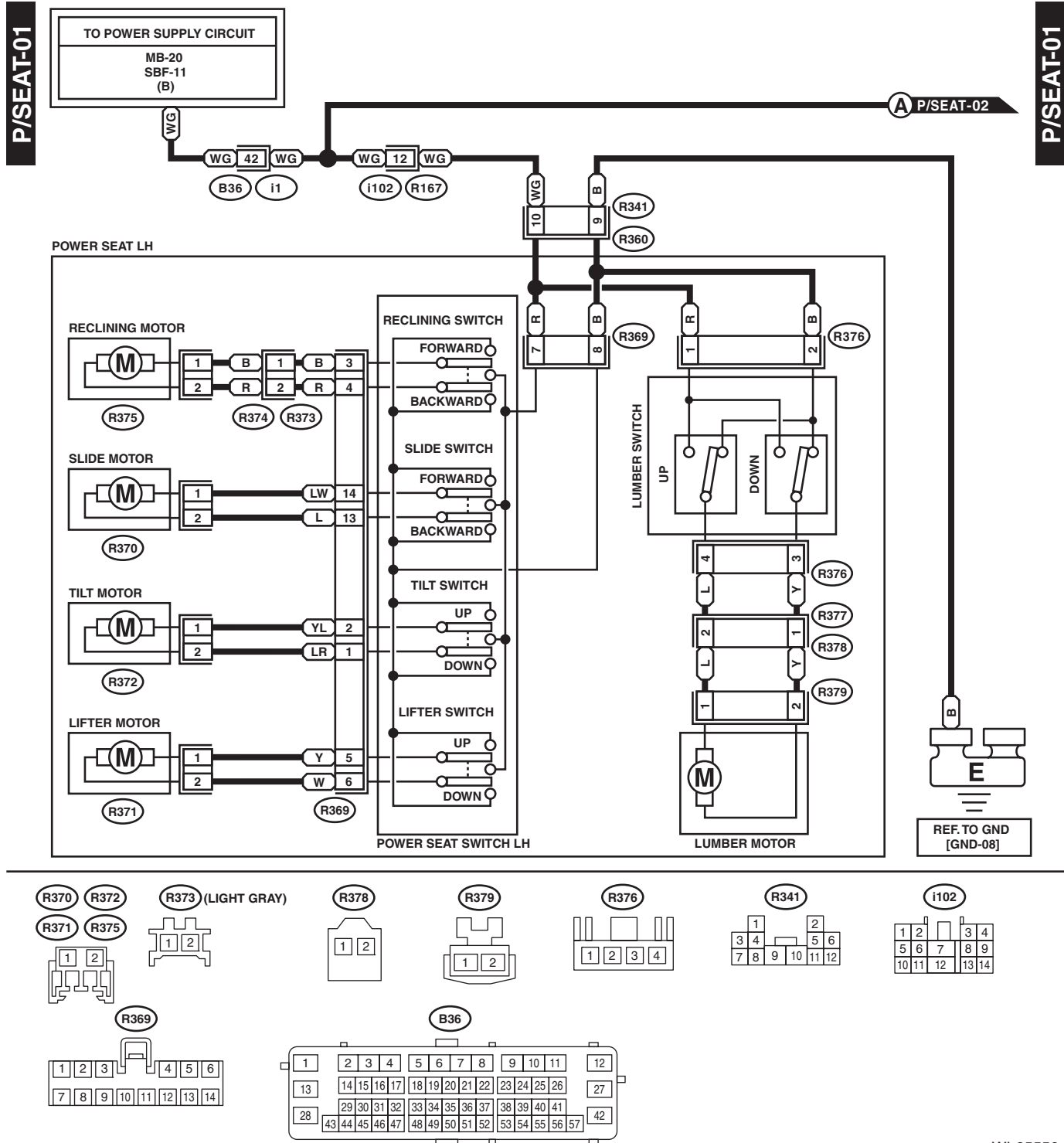


Power Seat System

WIRING SYSTEM

33. Power Seat System

A: WIRING DIAGRAM



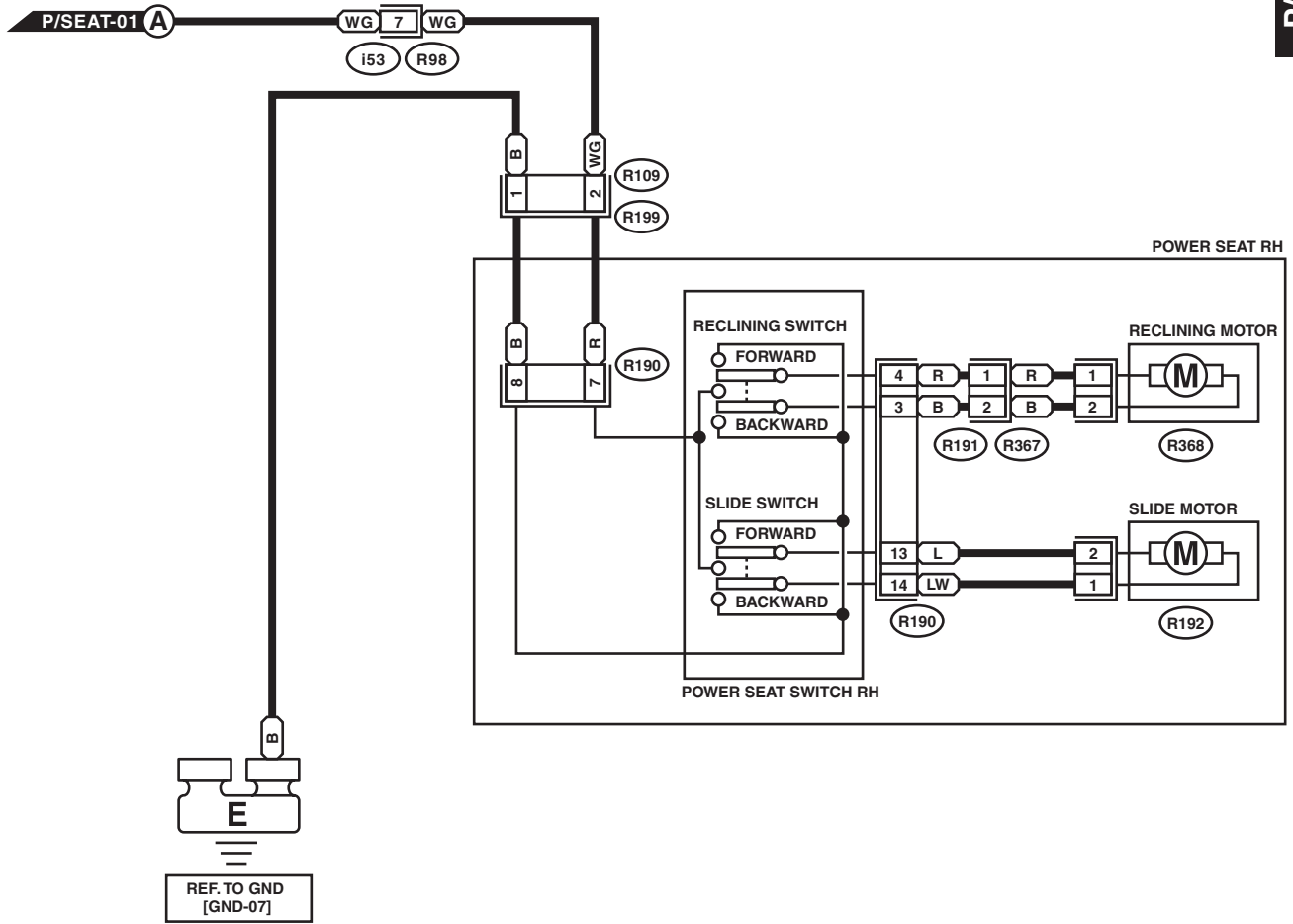
WI-25556

Power Seat System

WIRING SYSTEM

P/SEAT-02

P/SEAT-02



R109 (BLACK)



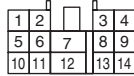
R191 (LIGHT GRAY)



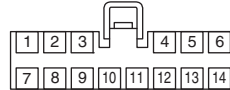
R192 R368



i53



R190



WI-25557