

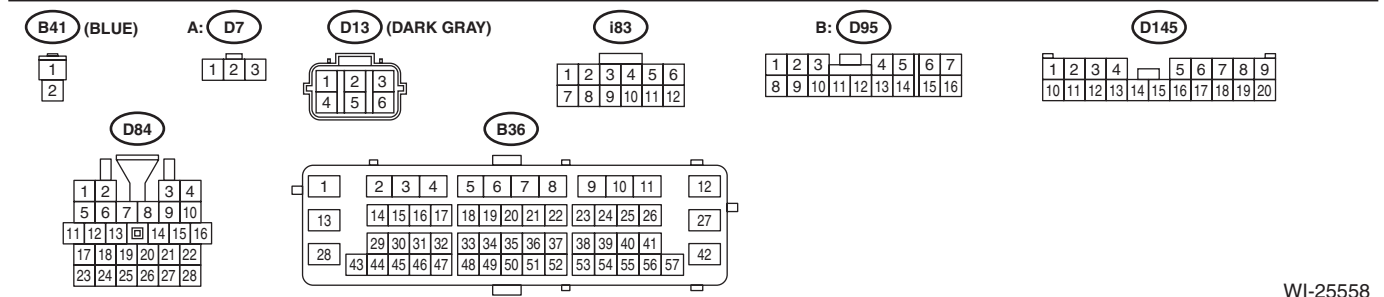
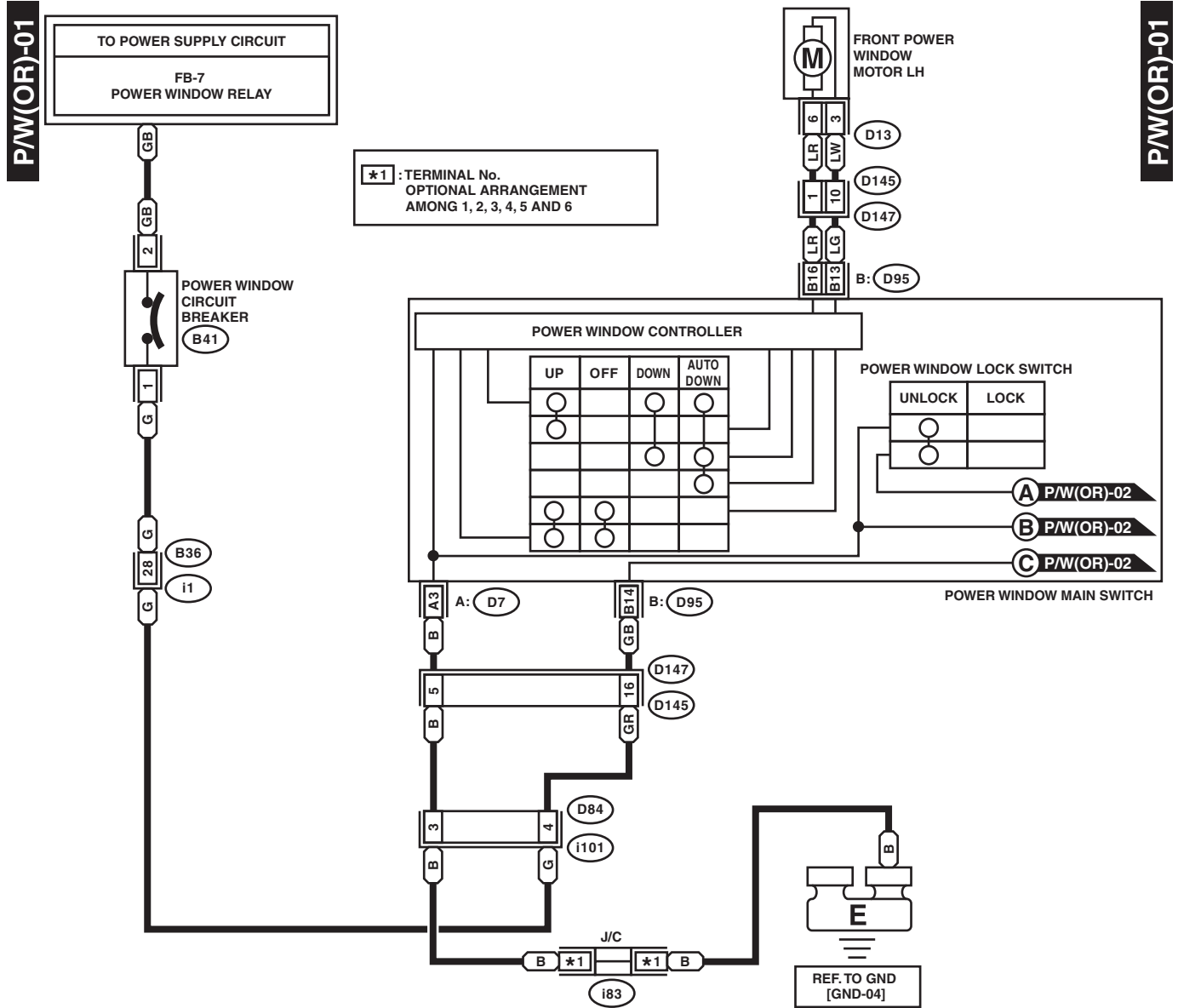
# Power Window System

WIRING SYSTEM

## 34. Power Window System

### A: WIRING DIAGRAM

#### 1. WITHOUT DRIVER'S SEAT AUTO UP FUNCTION



WI-25558

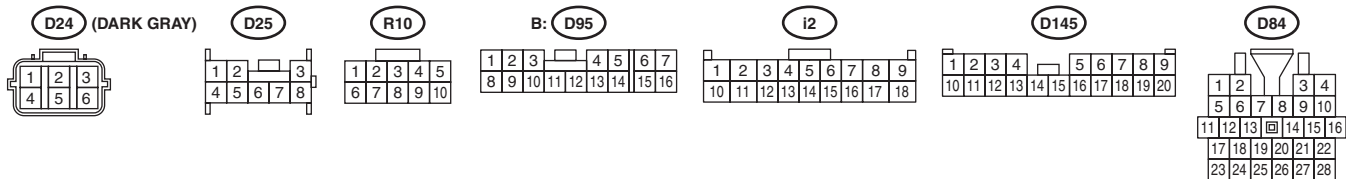
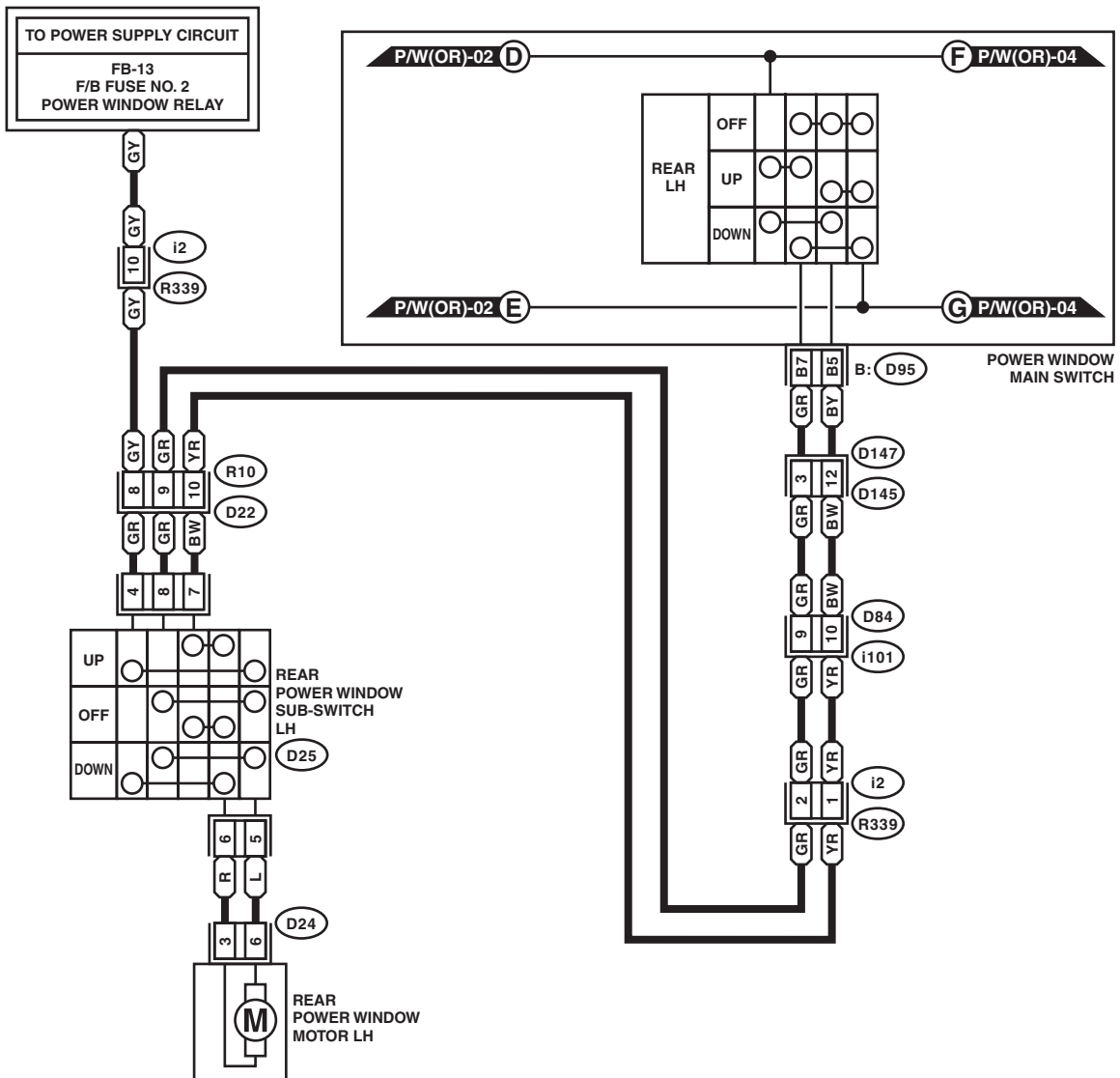


# Power Window System

## WIRING SYSTEM

P/W(OR)-03

P/W(OR)-03



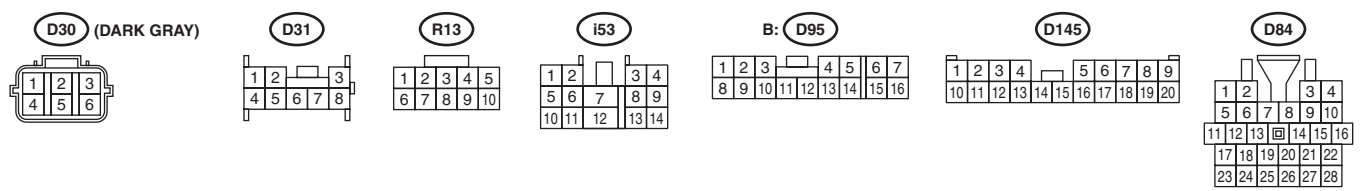
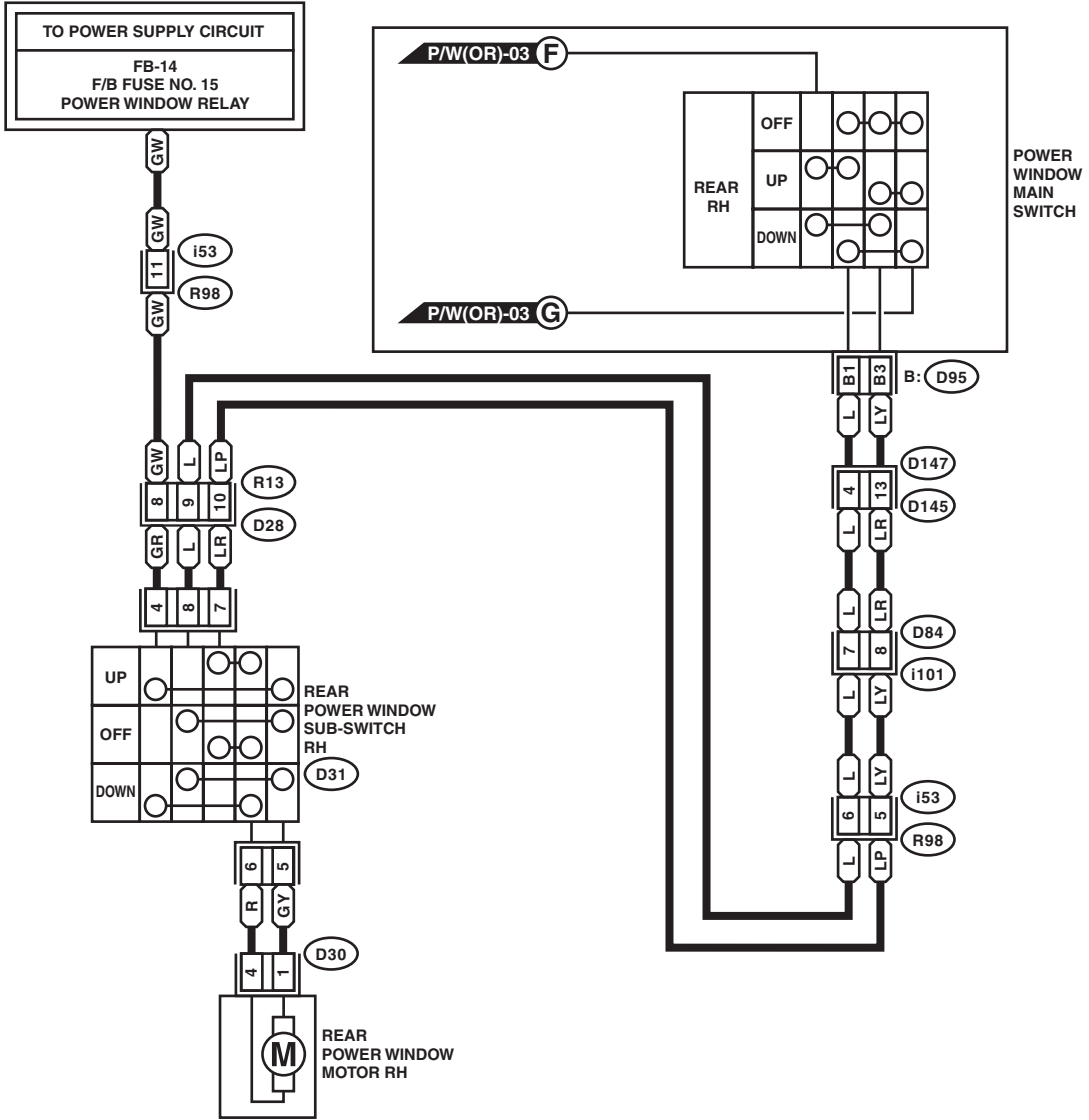
WI-25560

# Power Window System

WIRING SYSTEM

P/W(OR)-04

P/W(OR)-04

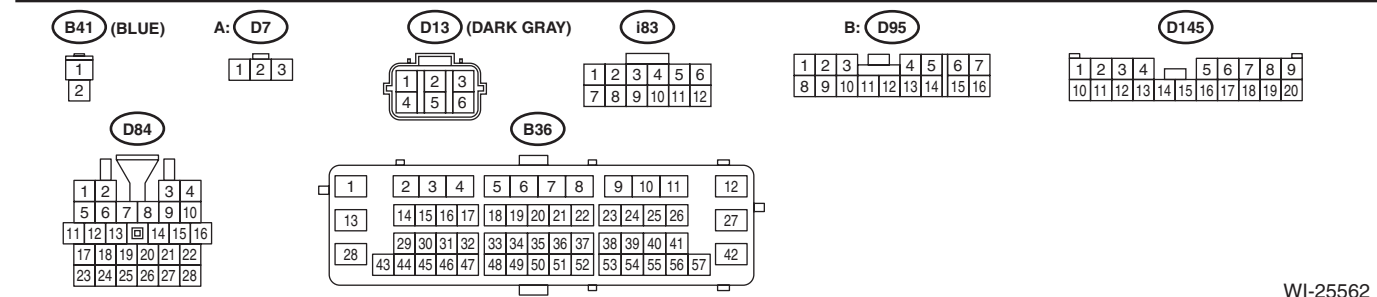
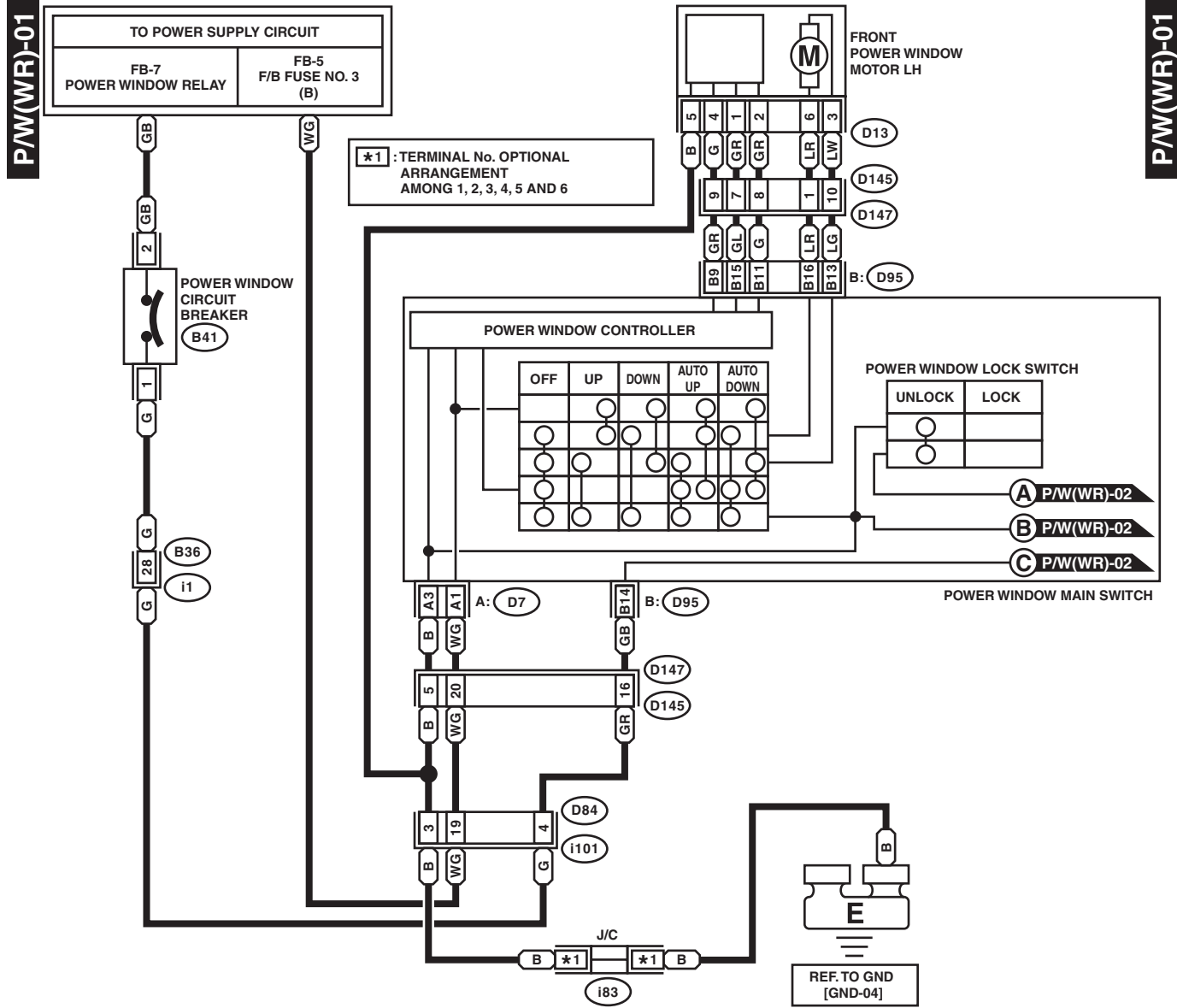


WI-25561

# Power Window System

## WIRING SYSTEM

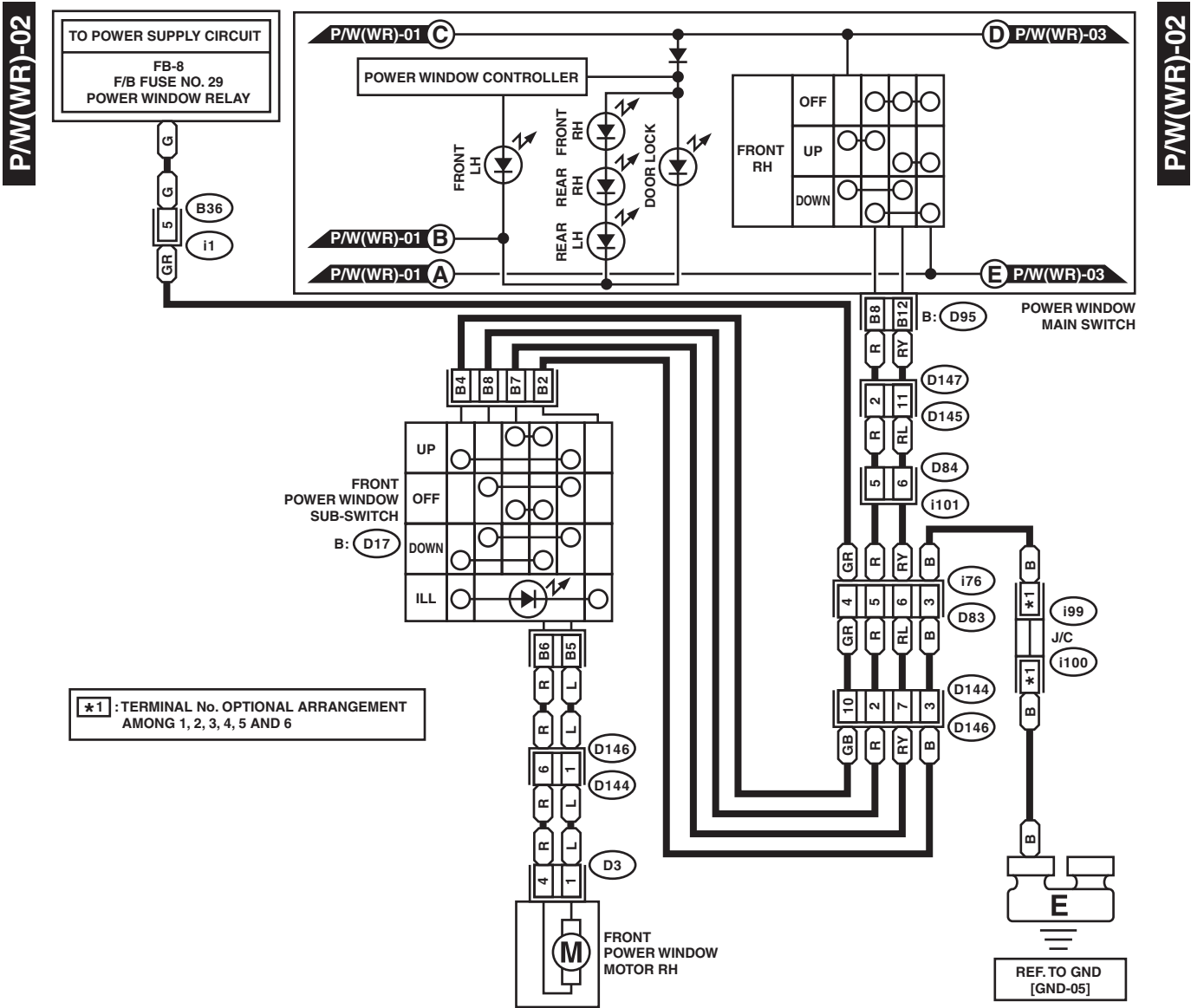
### 2. WITH DRIVER'S SEAT AUTO UP FUNCTION



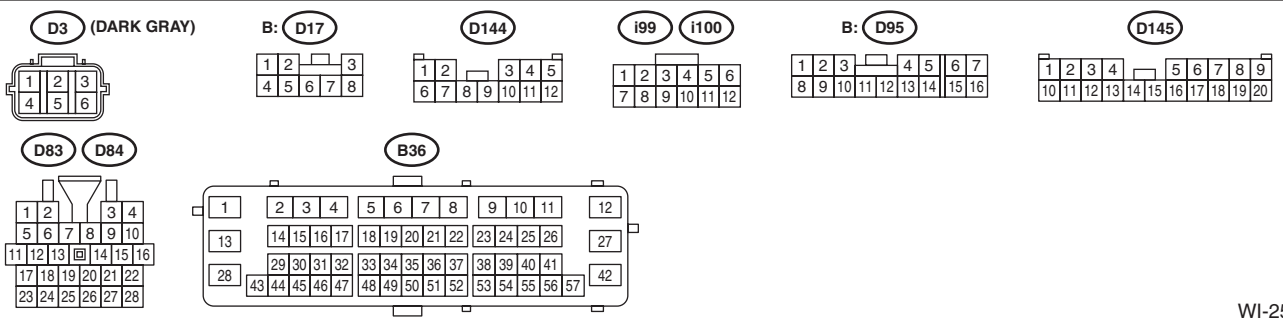
WI-25562

# Power Window System

WIRING SYSTEM



★1 : TERMINAL No. OPTIONAL ARRANGEMENT AMONG 1, 2, 3, 4, 5 AND 6



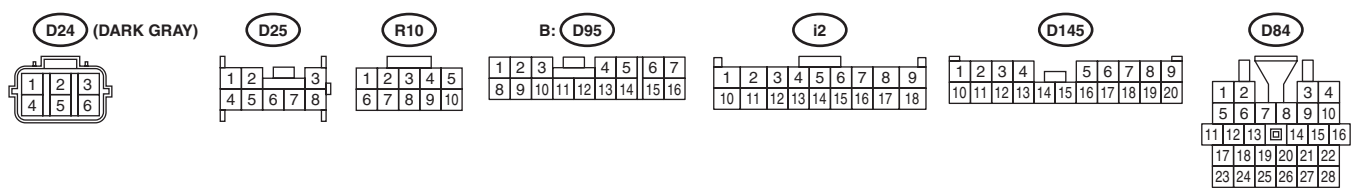
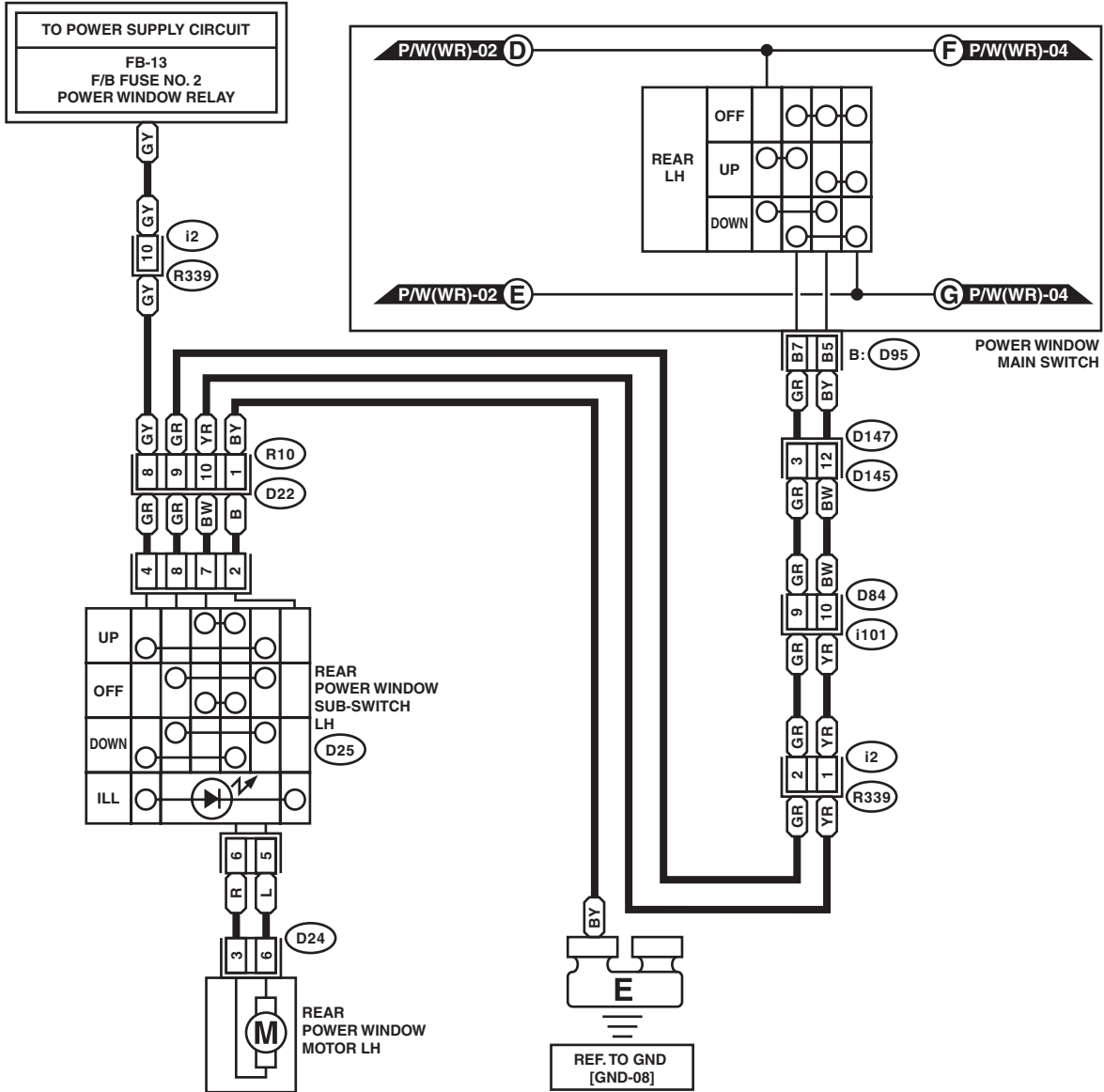
WI-25563

# Power Window System

## WIRING SYSTEM

P/W(WR)-03

P/W(WR)-03



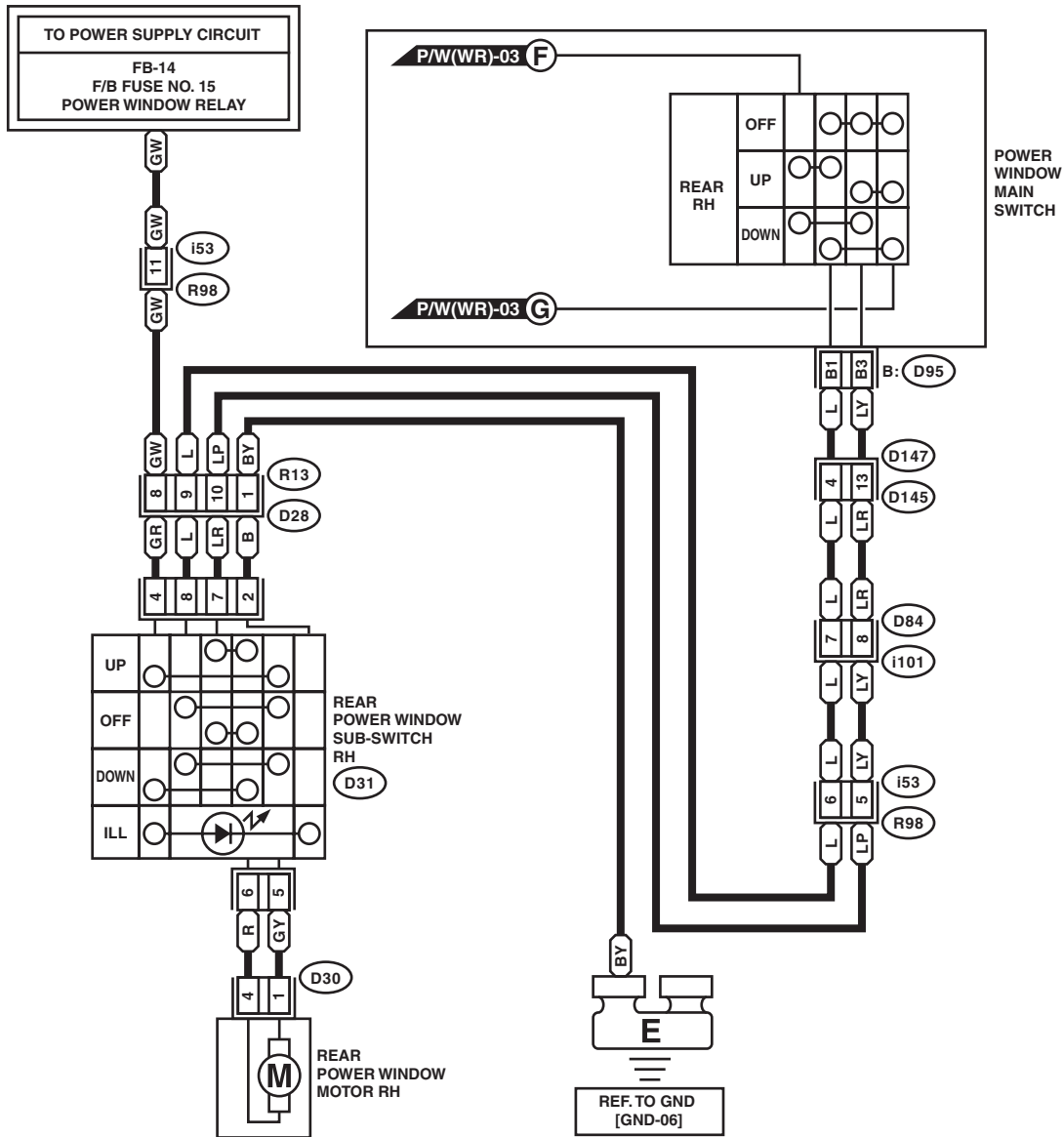
WI-25564

# Power Window System

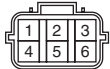
WIRING SYSTEM

P/W(WR)-04

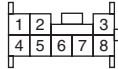
P/W(WR)-04



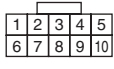
D30 (DARK GRAY)



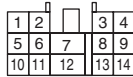
D31



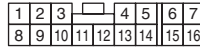
R13



i53



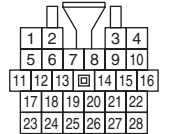
B: D95



D145



D84



WI-25565