

# Radiator Fan System

WIRING SYSTEM

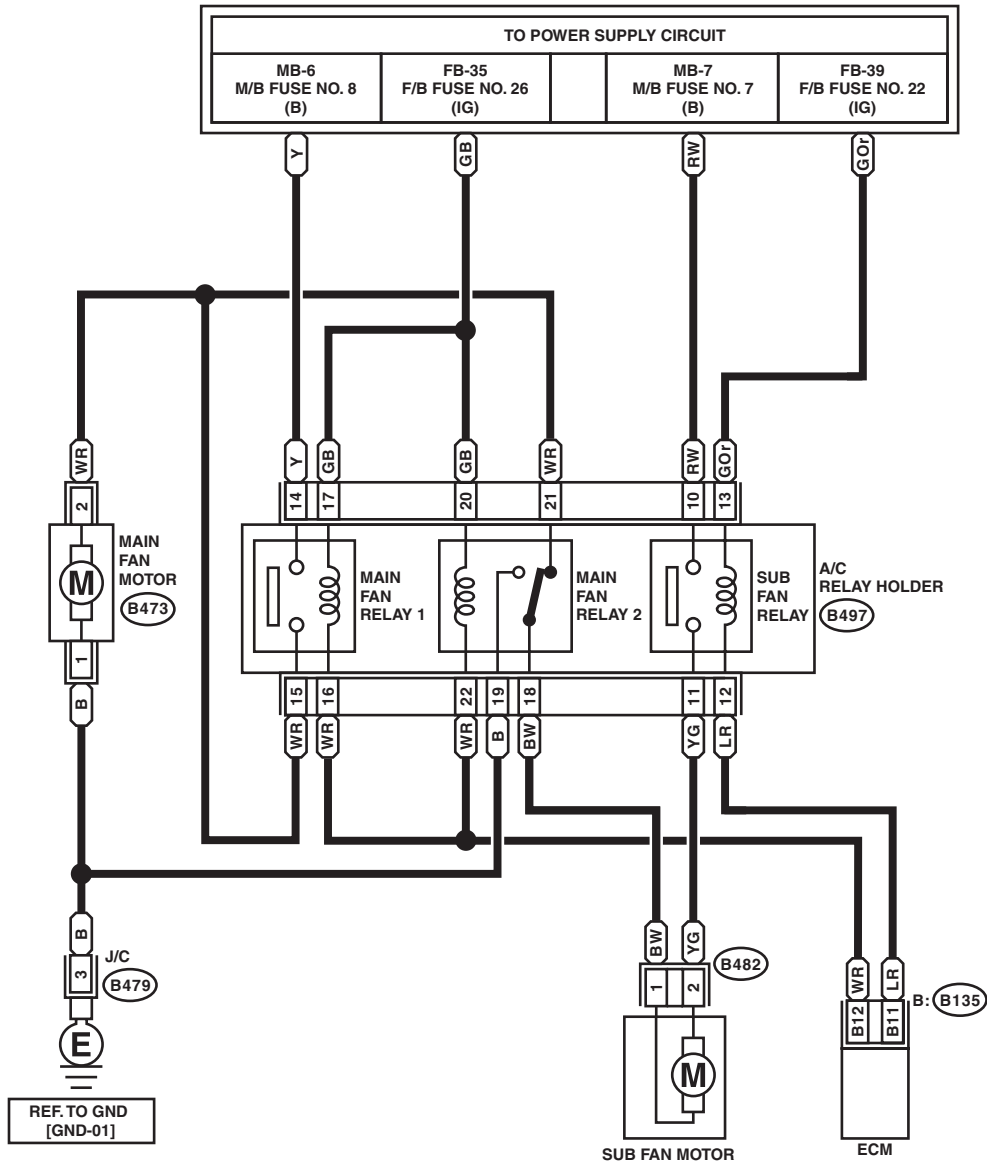
## 35.Radiator Fan System

### A: WIRING DIAGRAM

#### 1. 2.5 L NON-TURBO MODEL

R/F(NA)-01

R/F(NA)-01

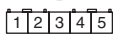


B473 (BLACK)

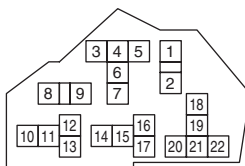
B482 (BLACK)



B479

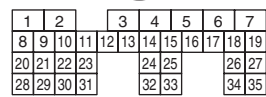


B497 (BLACK)



A/C RELAY HOLDER

B: B135



WI-25566

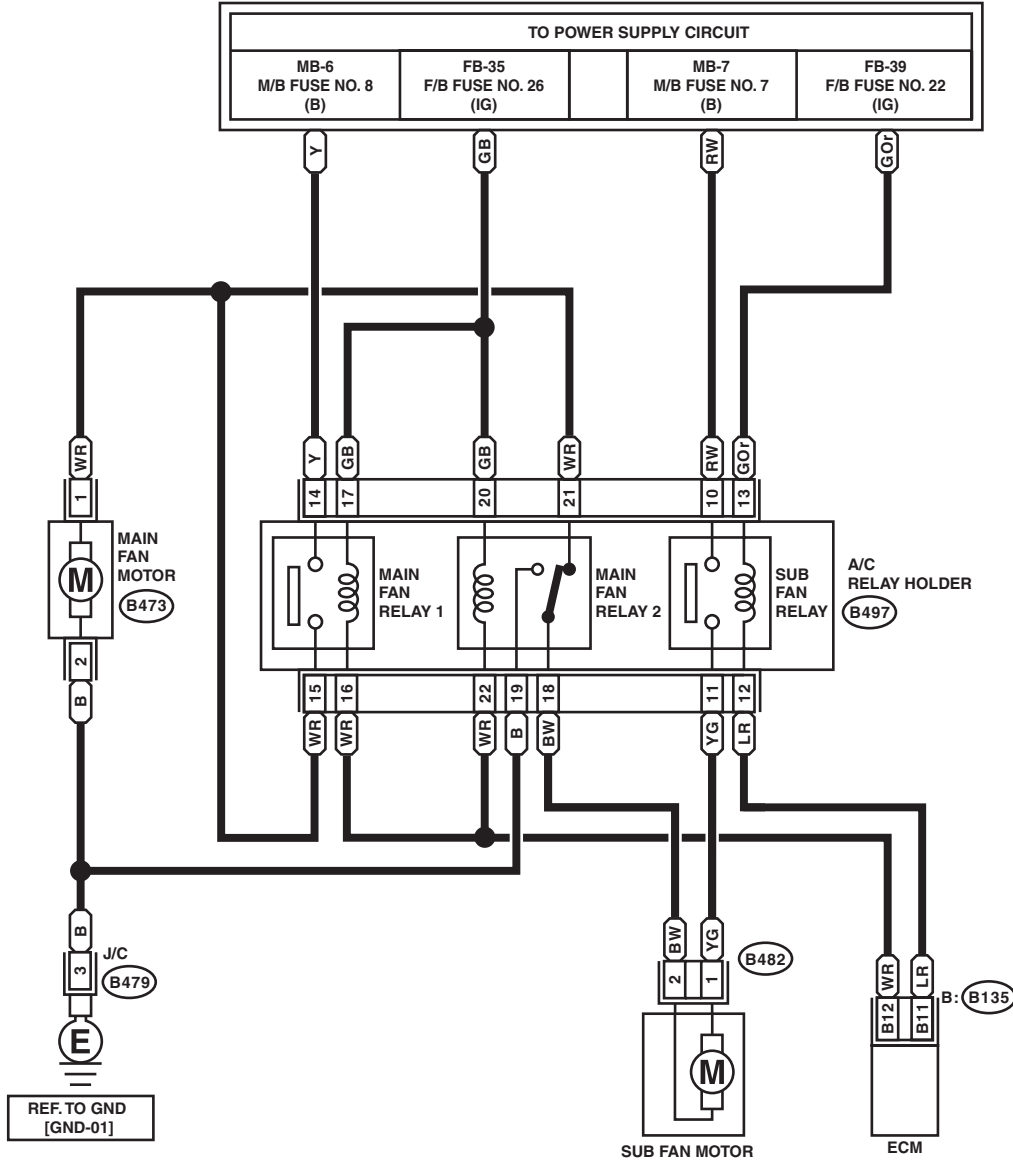
# Radiator Fan System

WIRING SYSTEM

## 2. 2.5 L TURBO MODEL

R/F(TB)-01

R/F(TB)-01

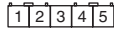


B473 (DARK GRAY)

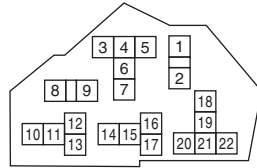
B482 (DARK GRAY)



B479

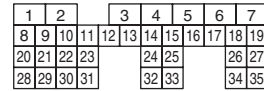


B497 (BLACK)



A/C RELAY HOLDER

B: B135



WI-25567

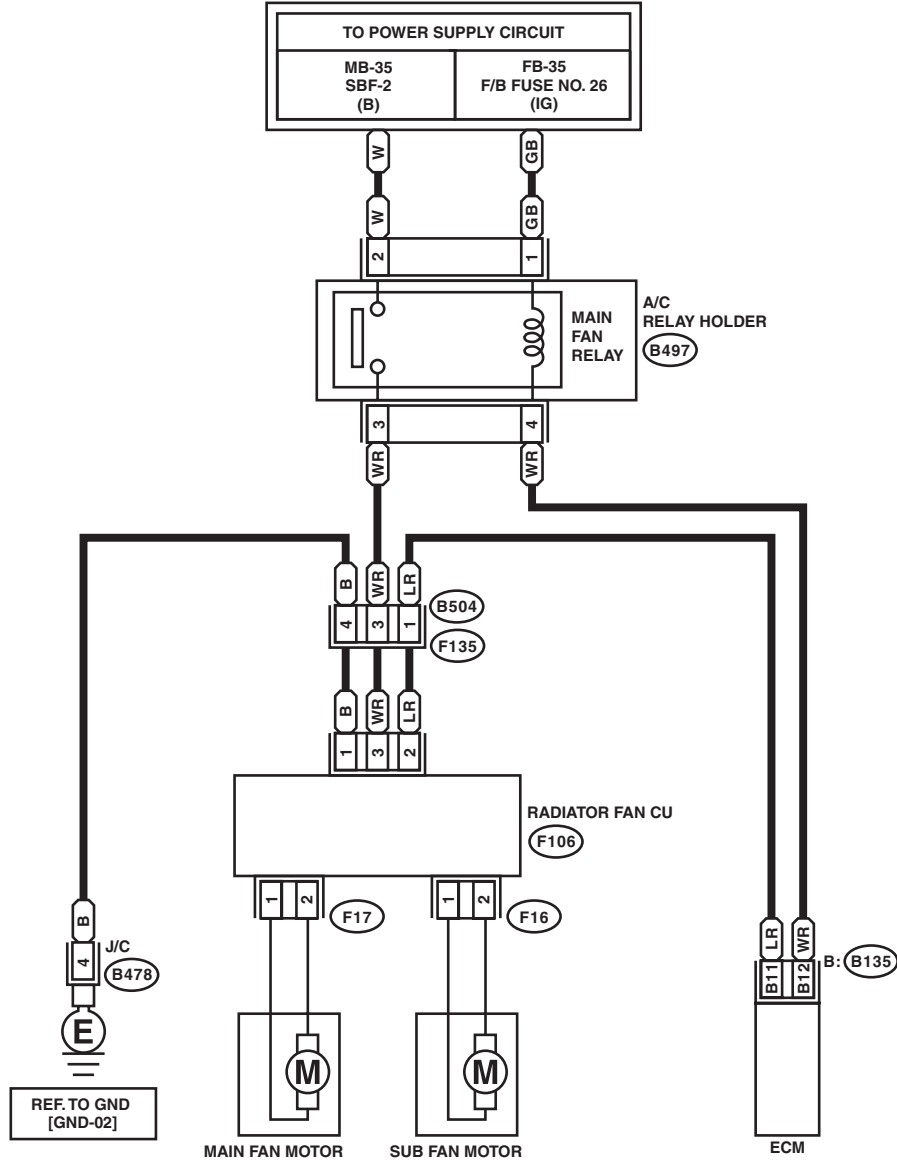
# Radiator Fan System

## WIRING SYSTEM

### 3. 3.6 L MODEL

R/F(H6)-01

R/F(H6)-01



(F16) (GRAY)

(F106) (LIGHT GRAY)

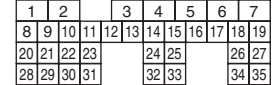
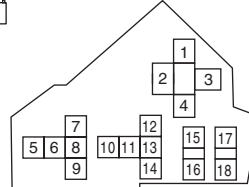
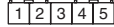
(B504) (BLACK)

(B478)

(B497) (BLACK)

B: (B135)

(F17) (BLACK)



A/C RELAY HOLDER

WI-25568