

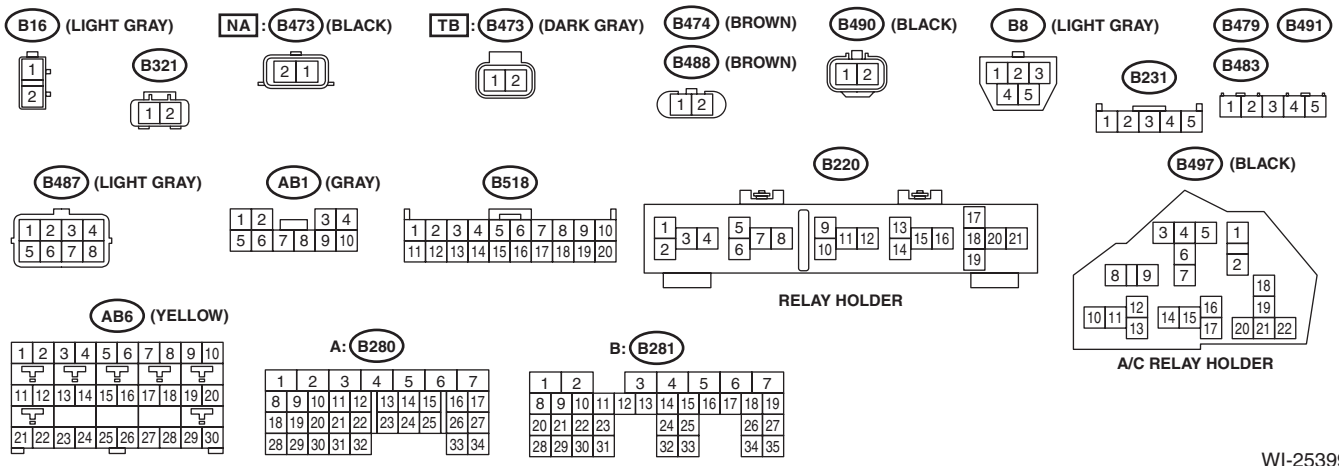
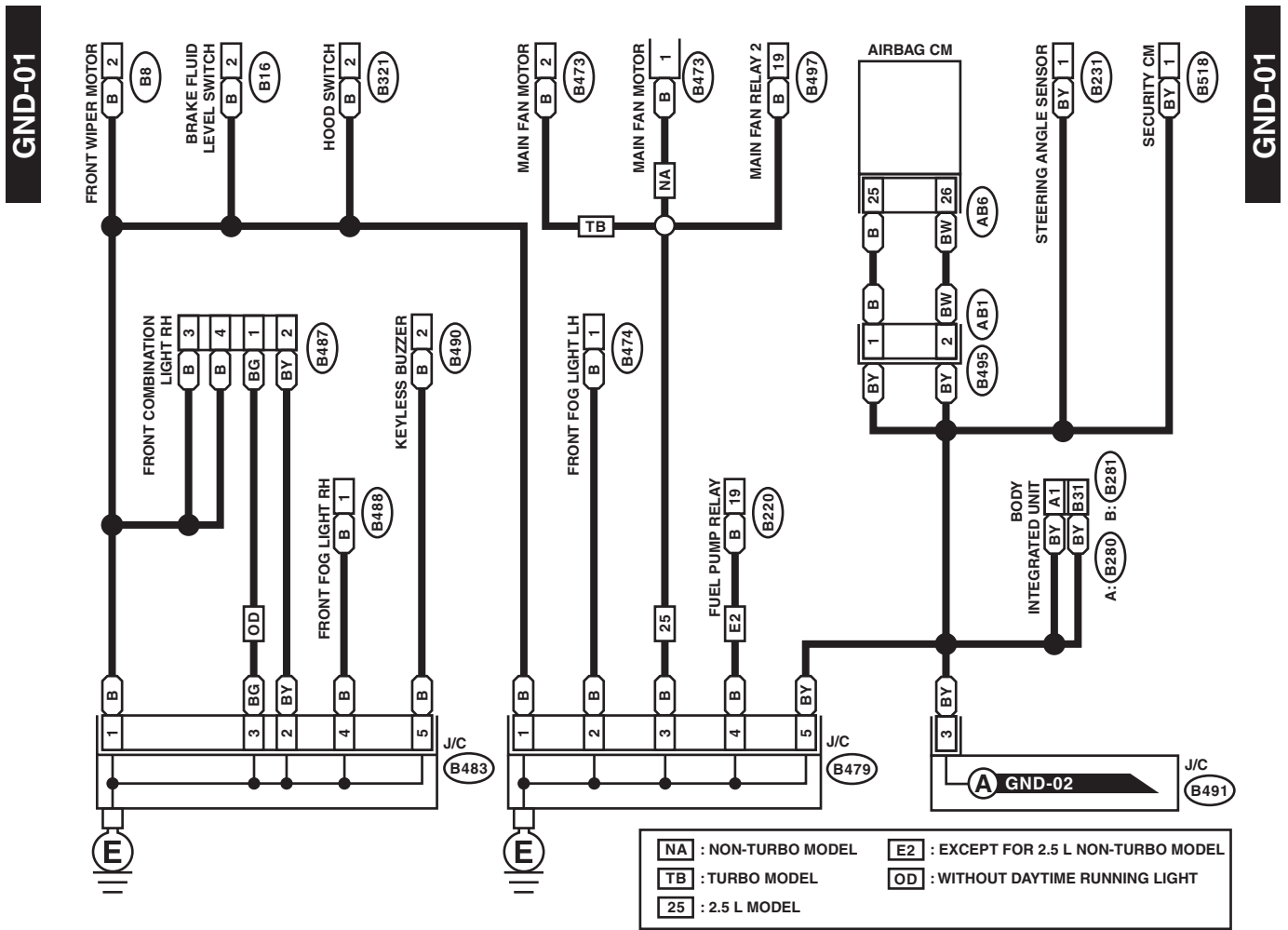
Ground Circuit

WIRING SYSTEM

4. Ground Circuit

A: WIRING DIAGRAM

1. CHASSIS GROUND



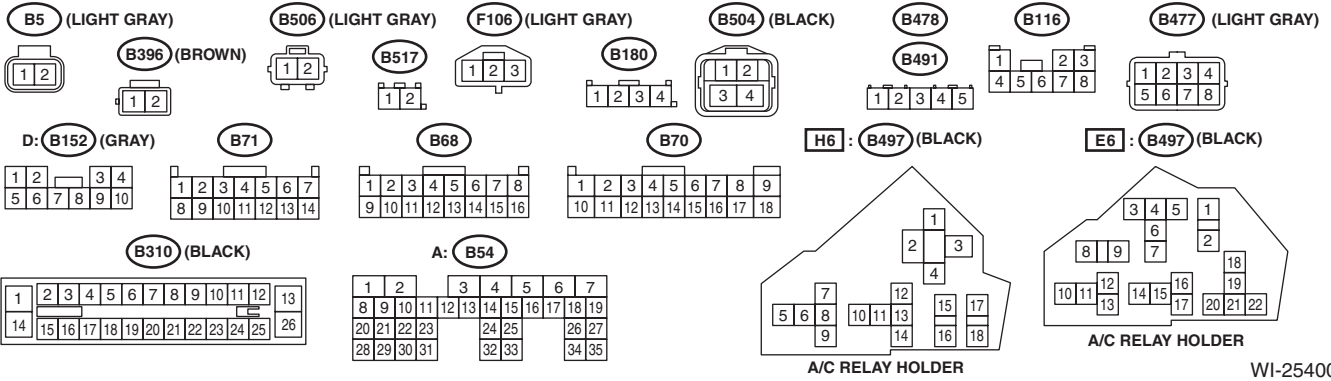
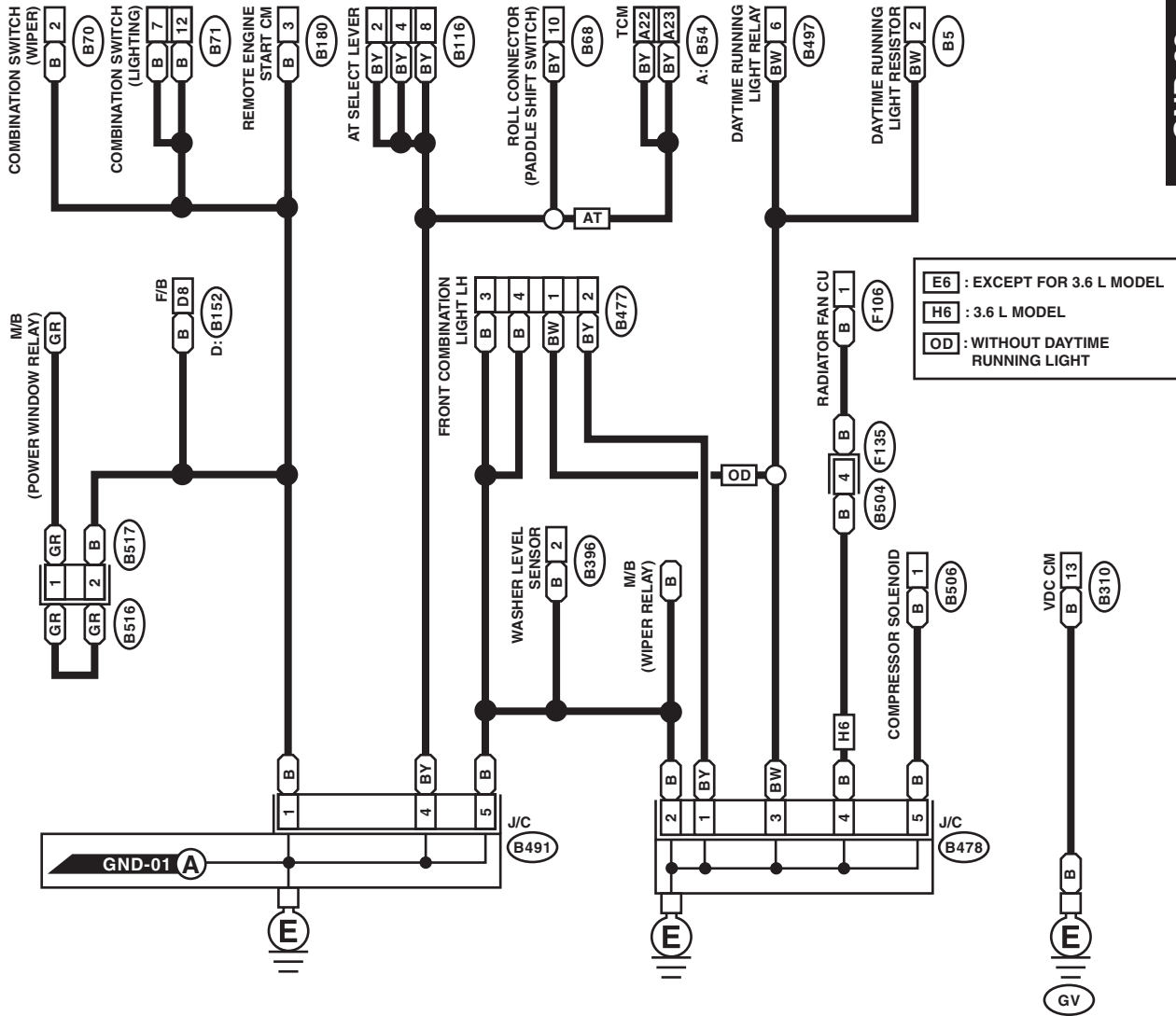
WI-25399

Ground Circuit

WIRING SYSTEM

GND-02

GND-02



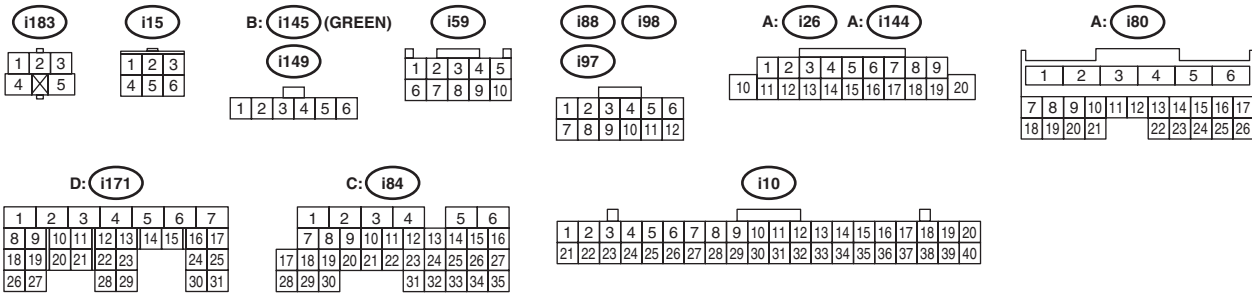
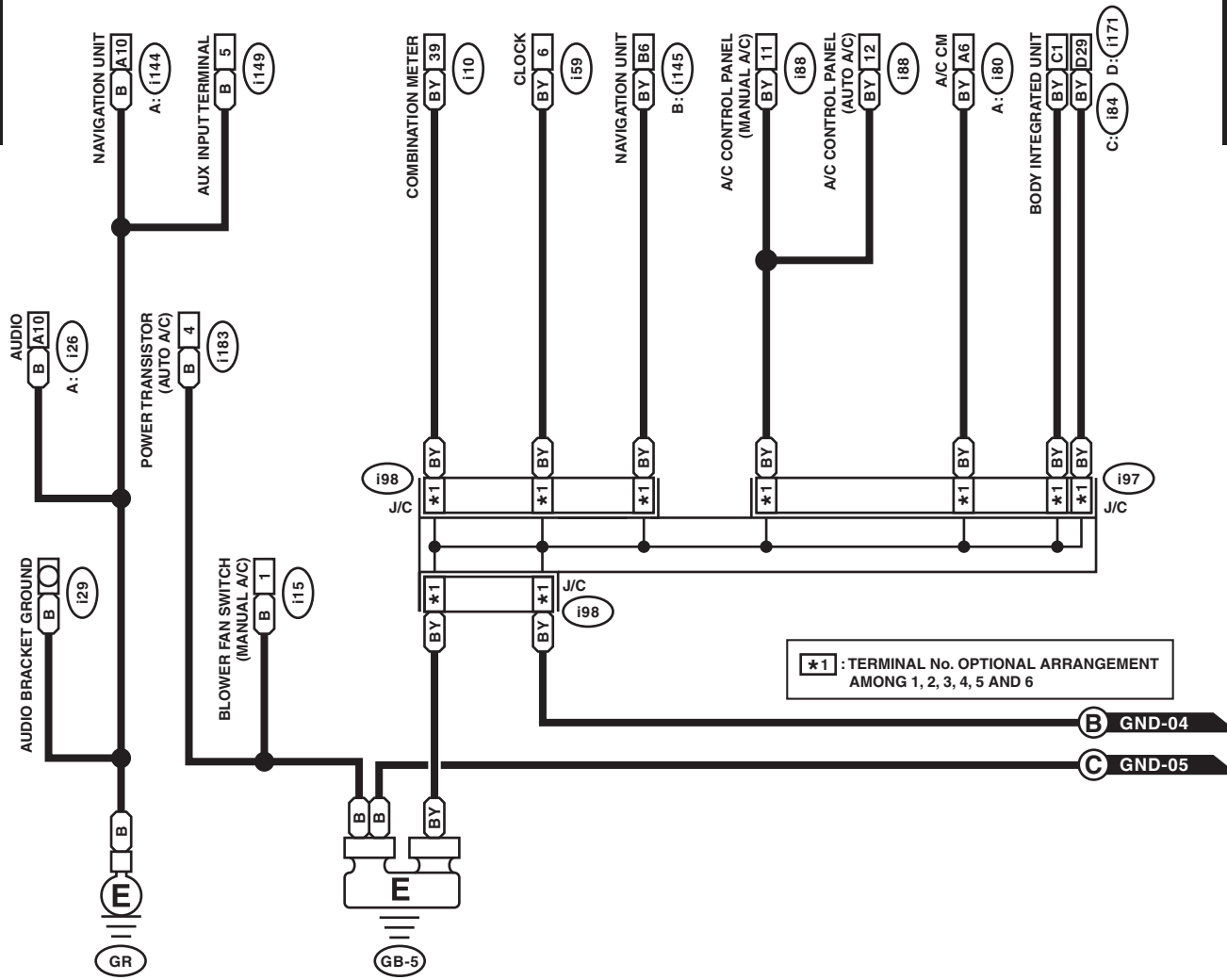
WI-25400

Ground Circuit

WIRING SYSTEM

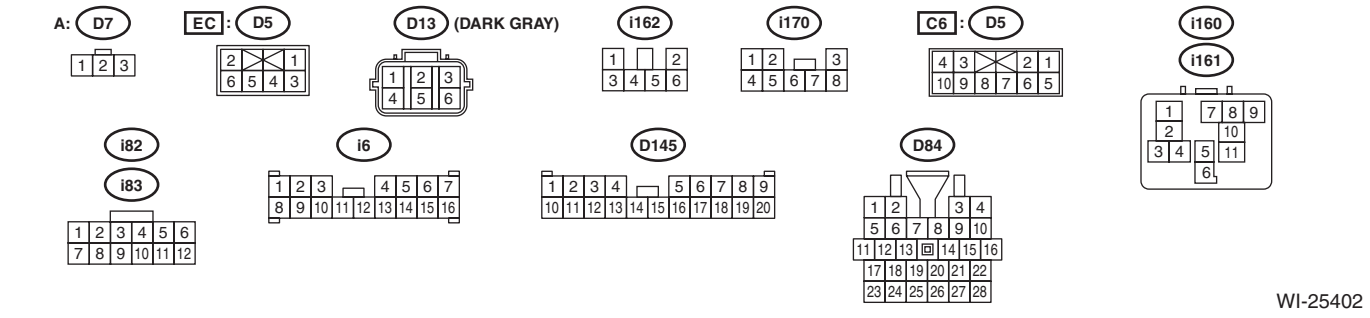
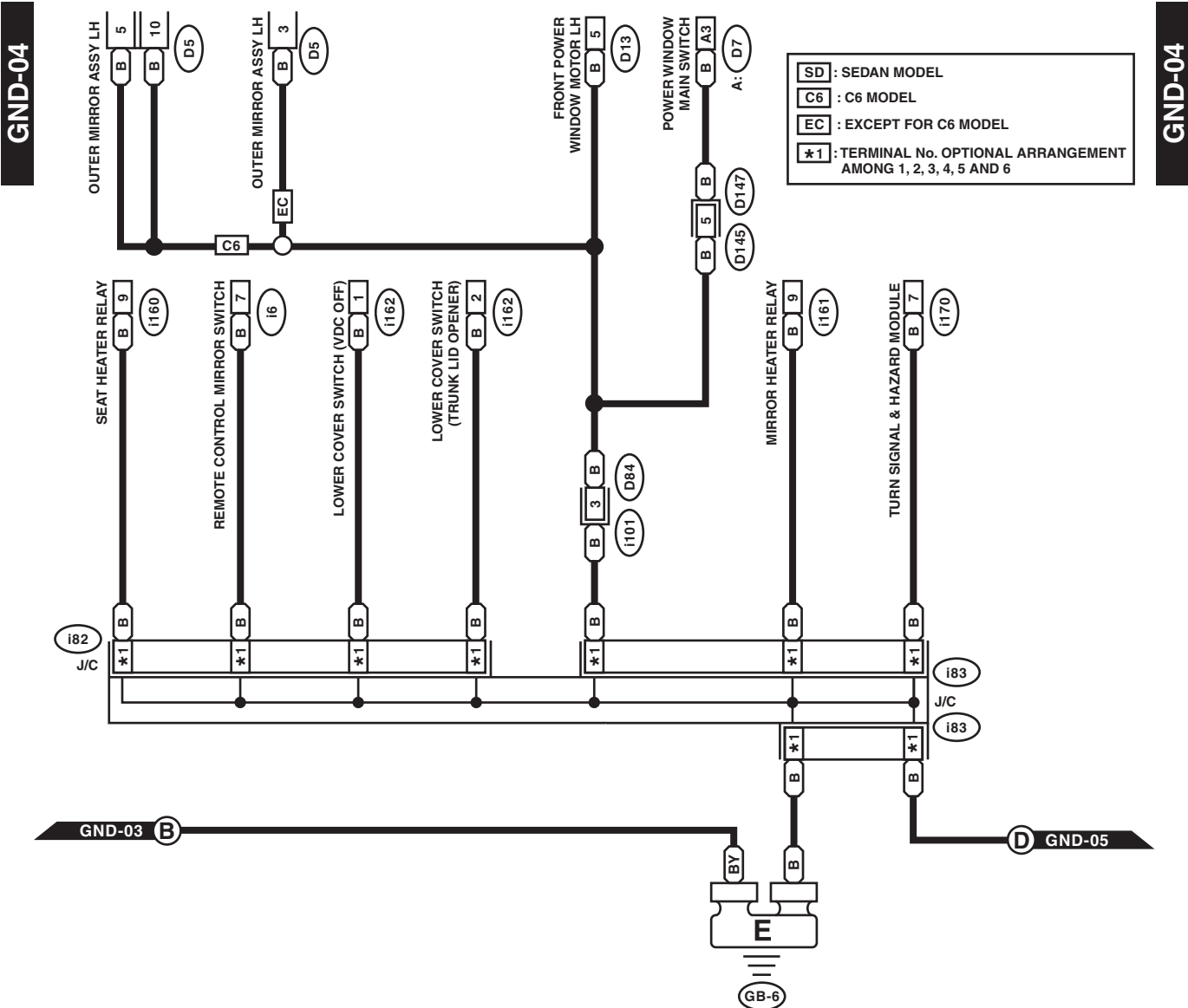
GND-03

GND-03



WI-25401

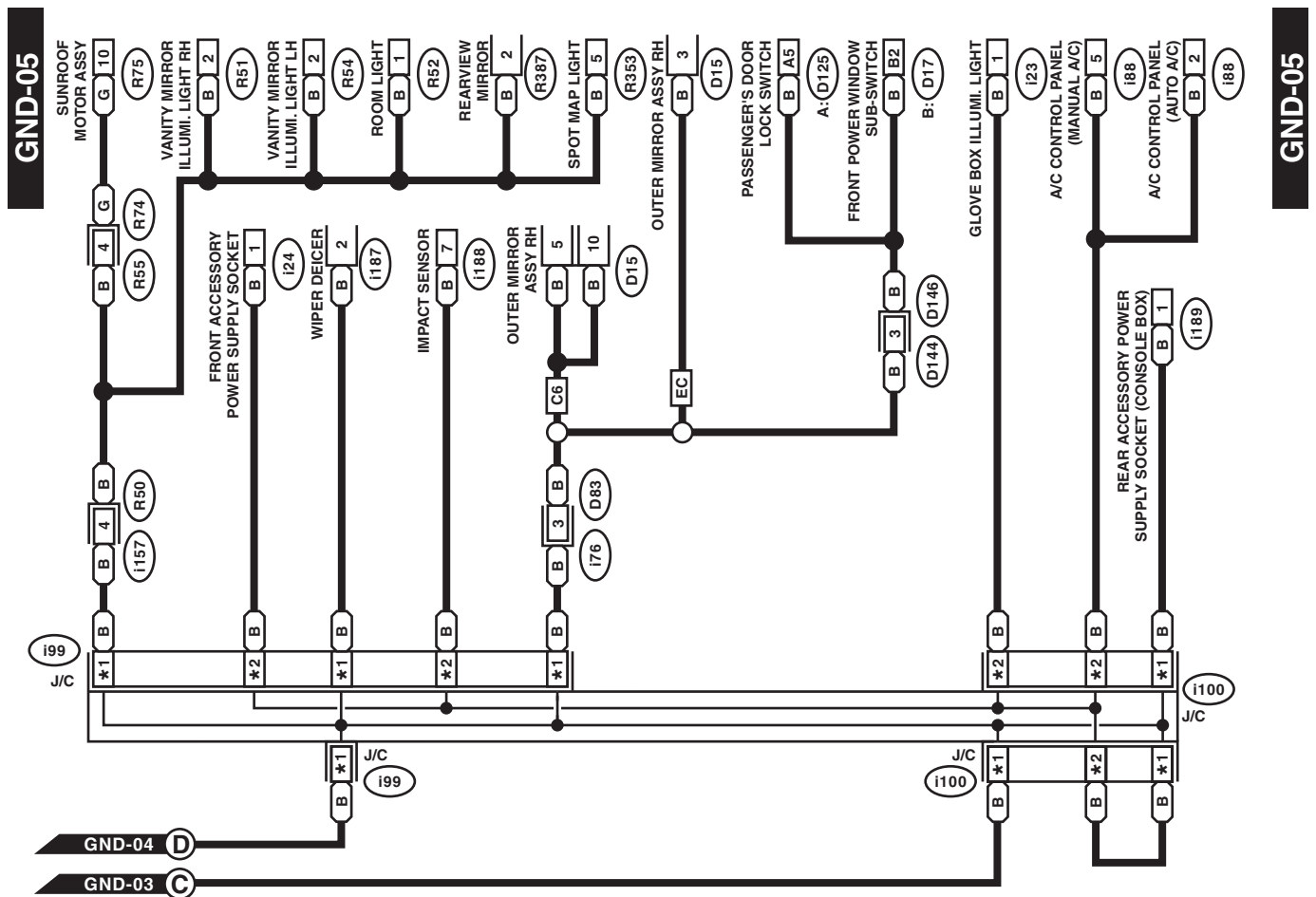
Ground Circuit



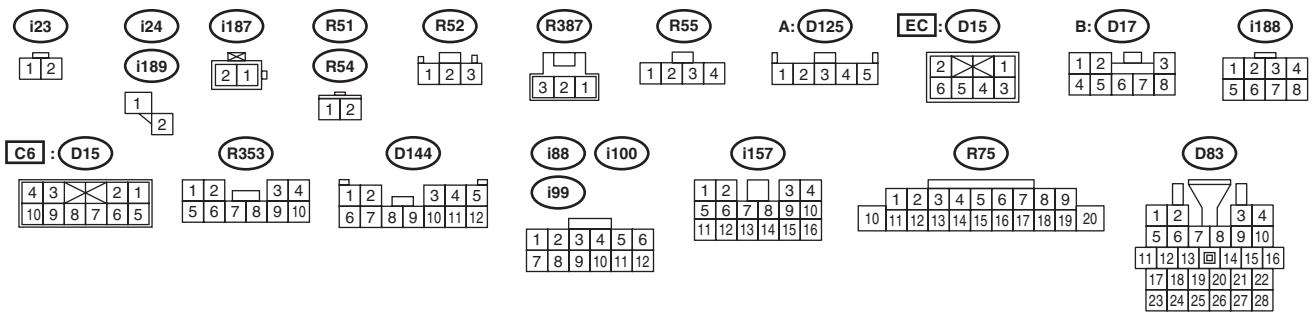
WI-25402

Ground Circuit

WIRING SYSTEM



C6 : C6 MODEL
EC : EXCEPT FOR C6 MODEL
***1** : TERMINAL No. OPTIONAL ARRANGEMENT AMONG 1, 2, 3, 4, 5 AND 6
***2** : TERMINAL No. OPTIONAL ARRANGEMENT AMONG 7, 8, 9, 10, 11 AND 12

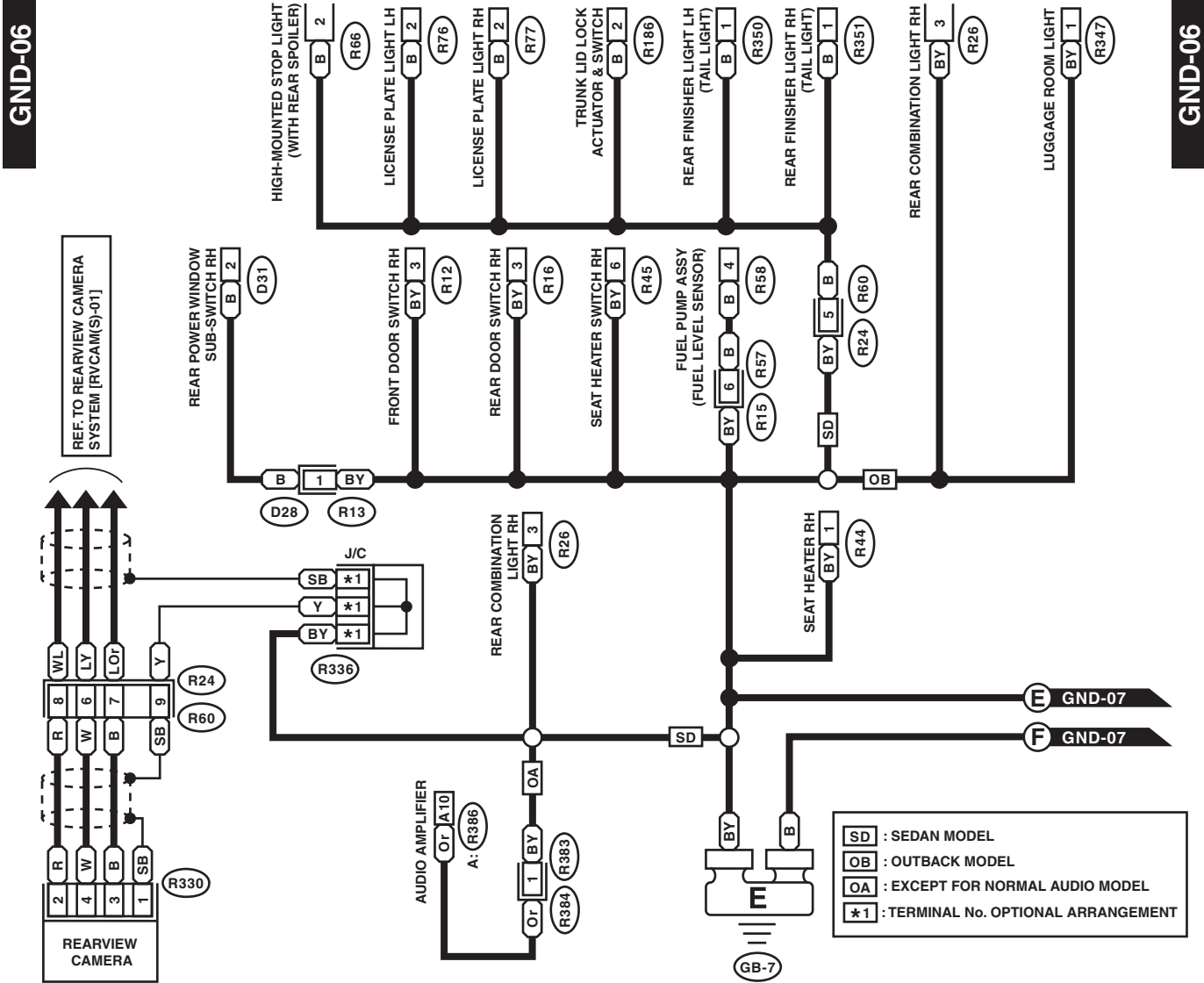


WI-25403

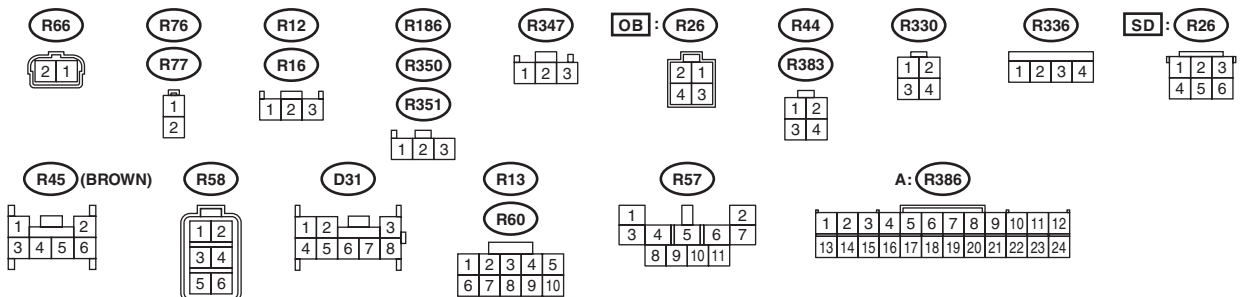
Ground Circuit

GND-06

GND-06



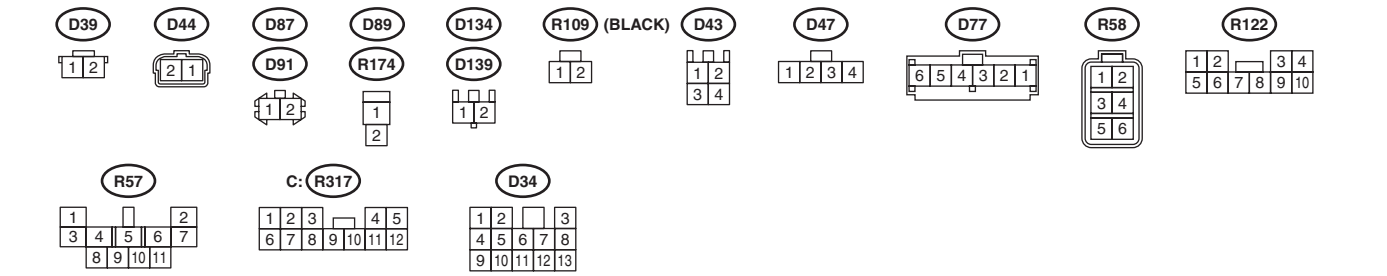
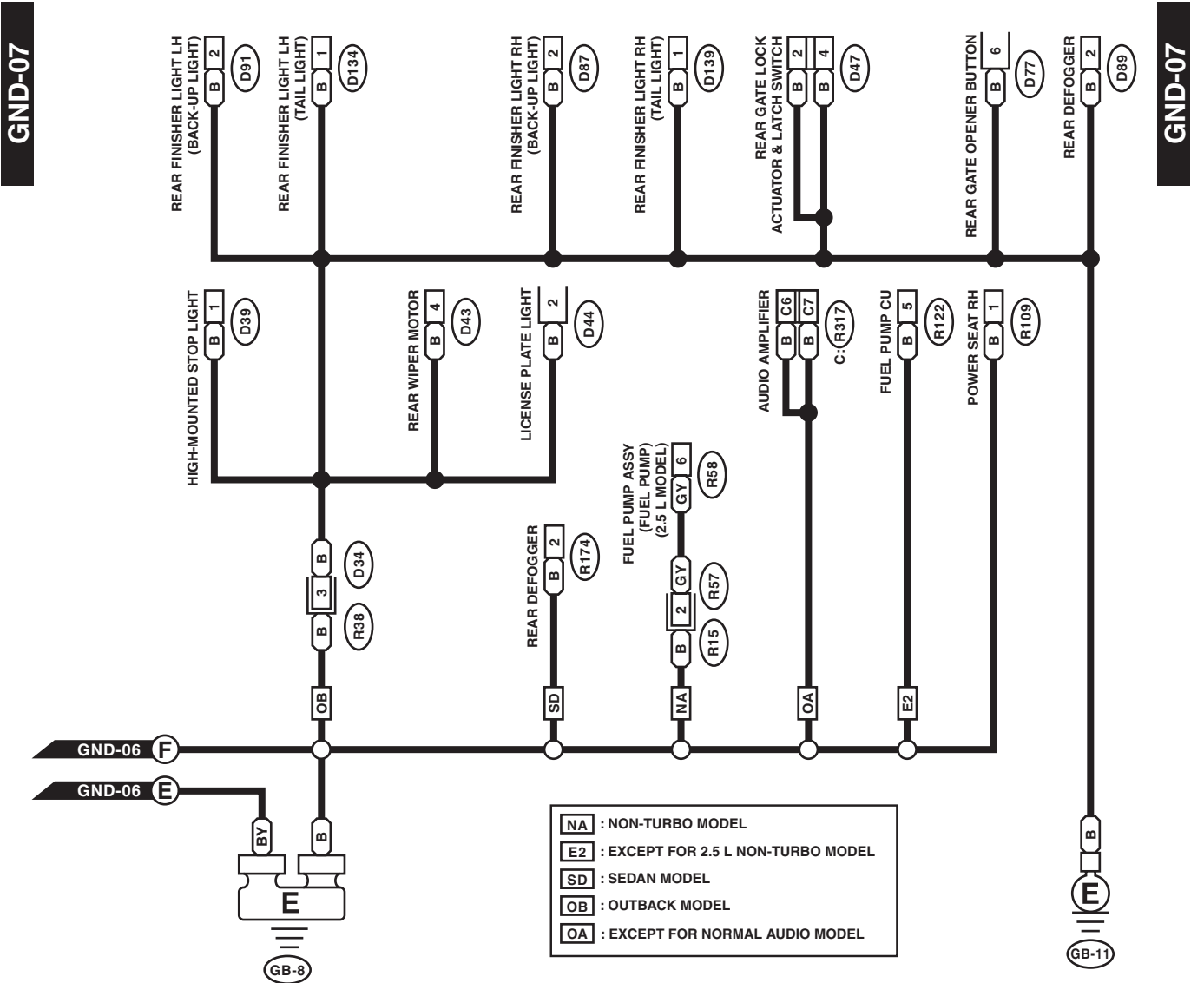
SD : SEDAN MODEL
 OB : OUTBACK MODEL
 OA : EXCEPT FOR NORMAL AUDIO MODEL
 *1 : TERMINAL No. OPTIONAL ARRANGEMENT



WI-25404

Ground Circuit

WIRING SYSTEM

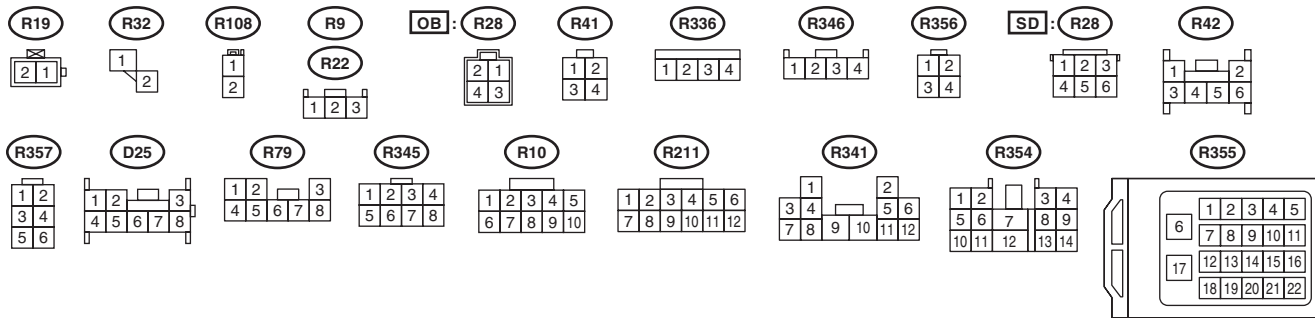
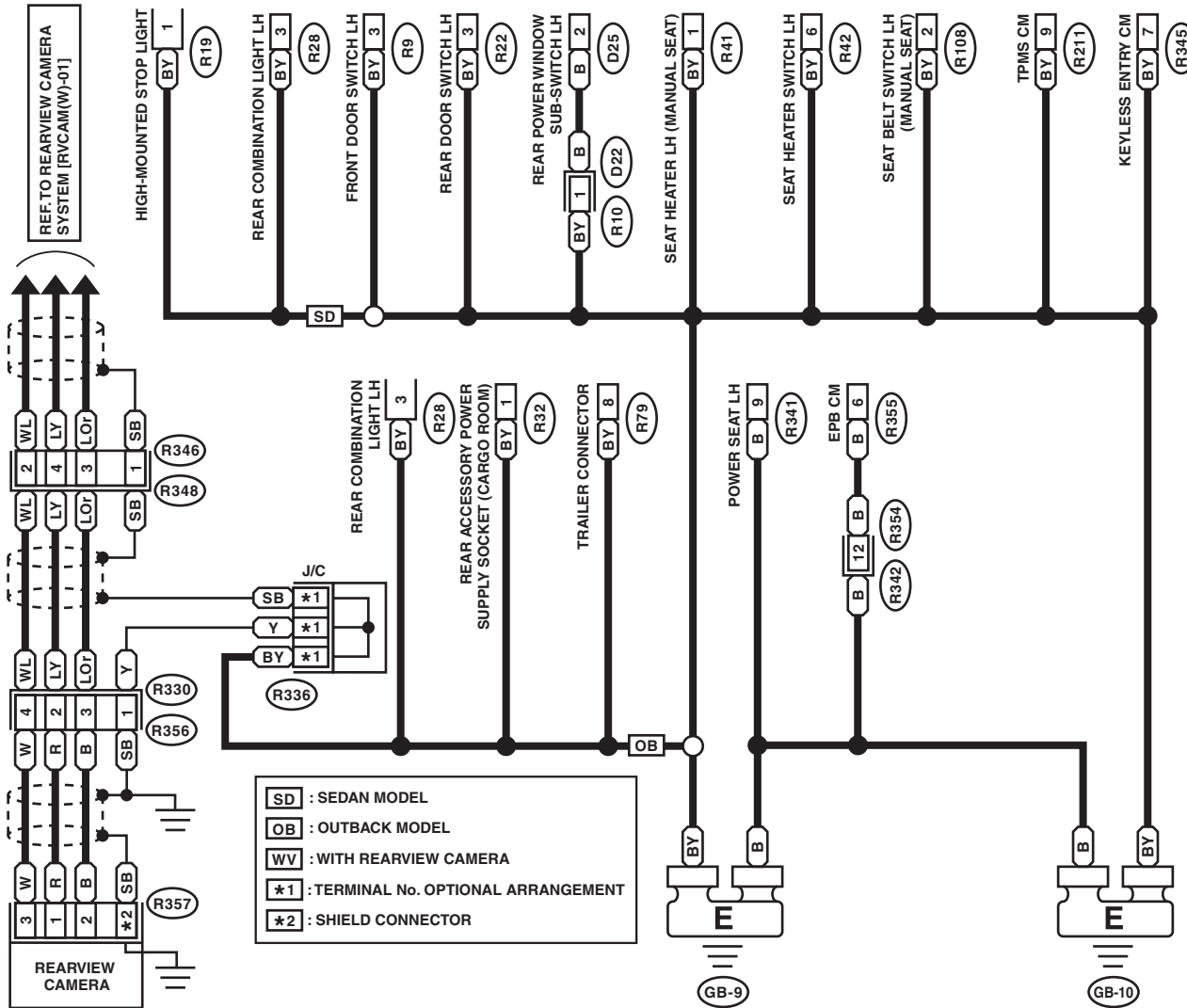


WI-25405

Ground Circuit

GND-08

GND-08



WI-25406

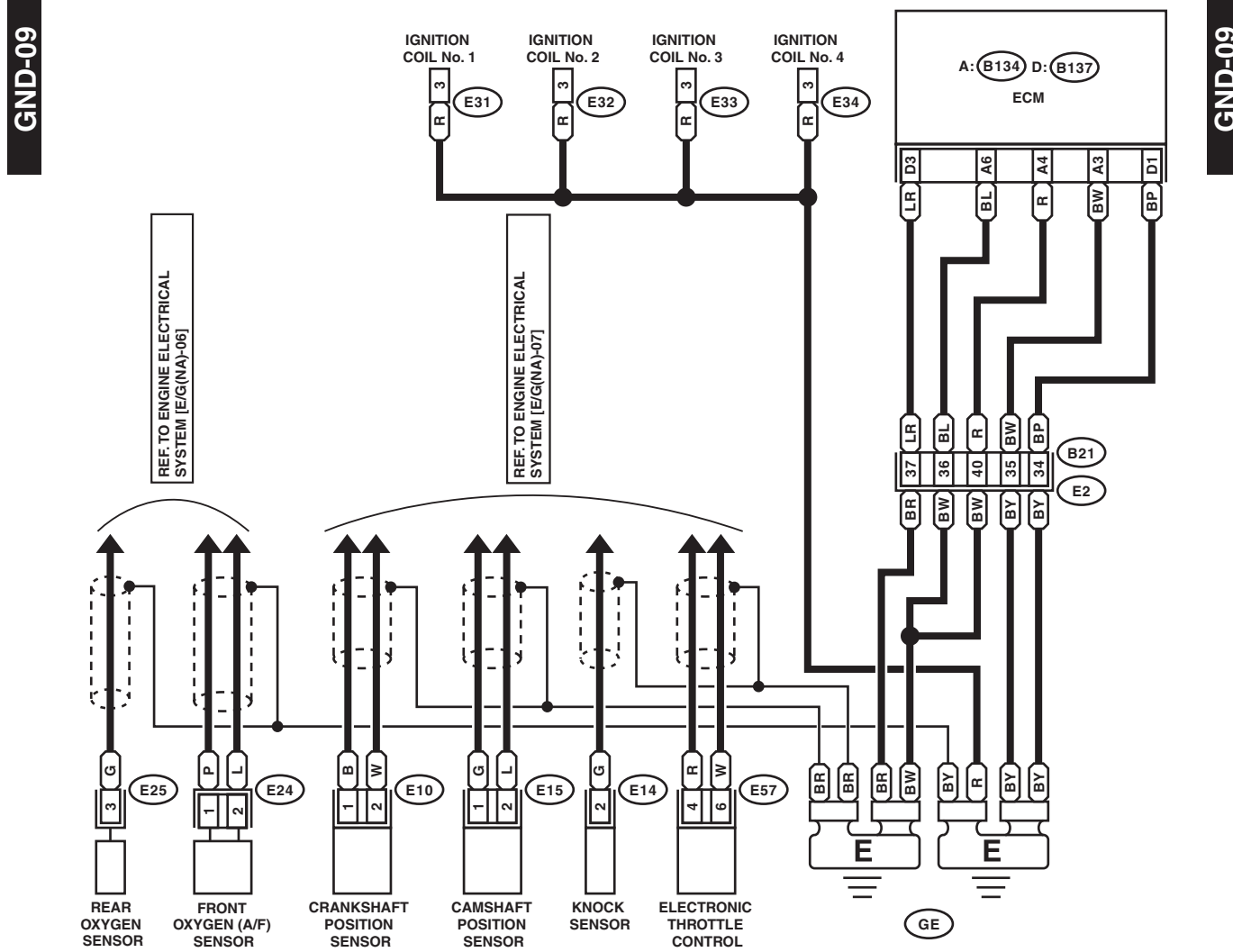
Ground Circuit

WIRING SYSTEM

2. ENGINE GROUND (2.5 L NON-TURBO MODEL)

GND-09

GND-09



E10 (LIGHT GRAY)



E14 (BLACK)

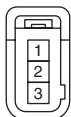


E15 (BLACK)



E31 E33 (BLACK)

E32 E34 (BLACK)



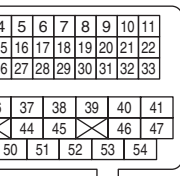
E24 (BLACK)



E25 (DARK GRAY)



B21 (BLACK)



E57 (BLACK)



D: B137



A: B134

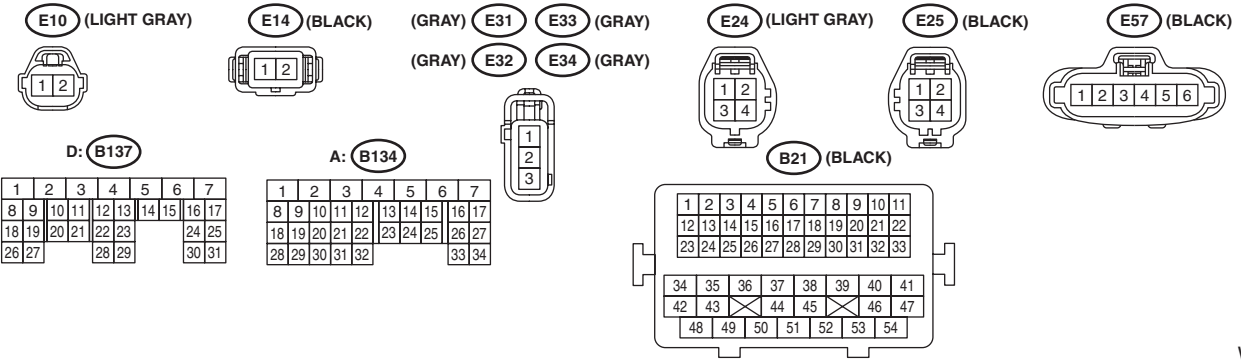
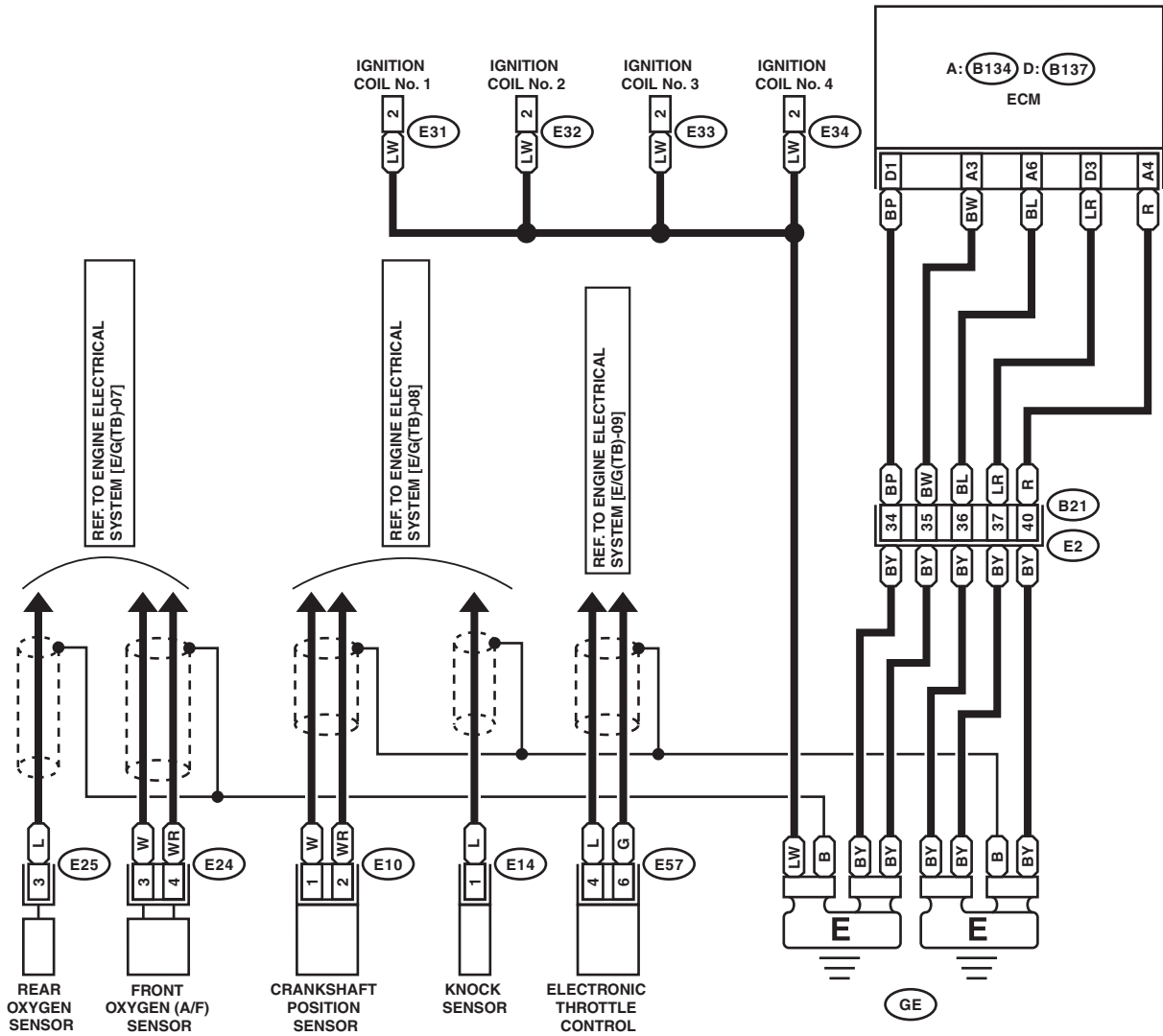


WI-25407

3. ENGINE GROUND (2.5 L TURBO MODEL)

GND-10

GND-10

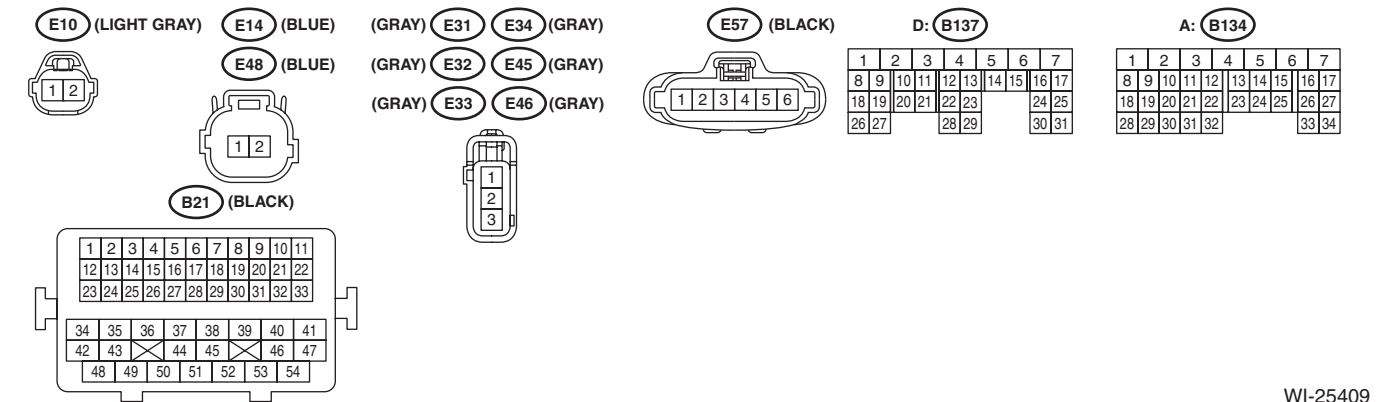
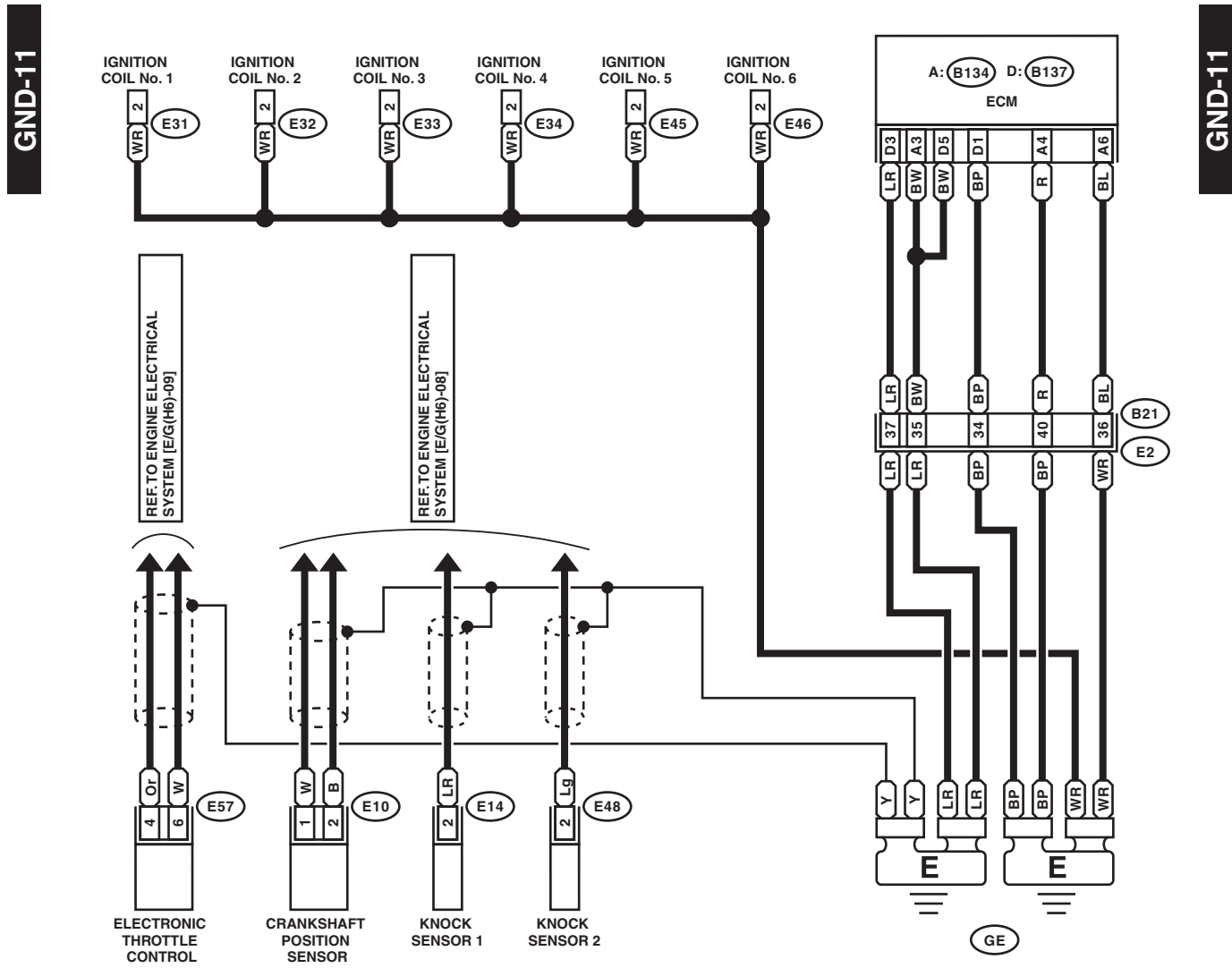


WI-25408

Ground Circuit

WIRING SYSTEM

4. ENGINE GROUND (3.6 L MODEL)

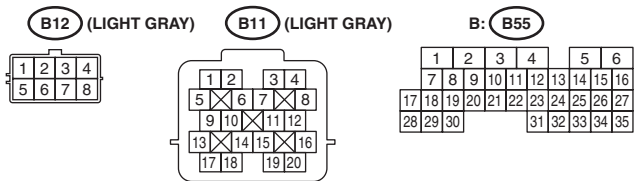
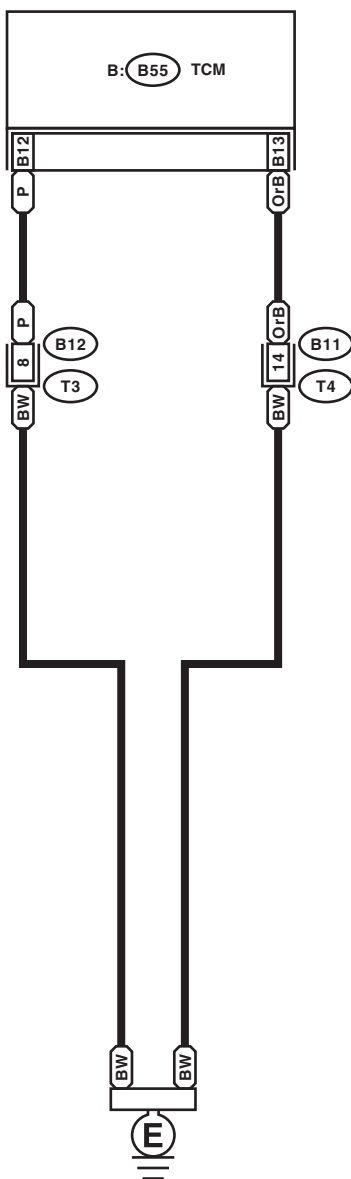


WI-25409

5. TRANSMISSION GROUND (AT MODEL)

GND-12

GND-12



WI-25410

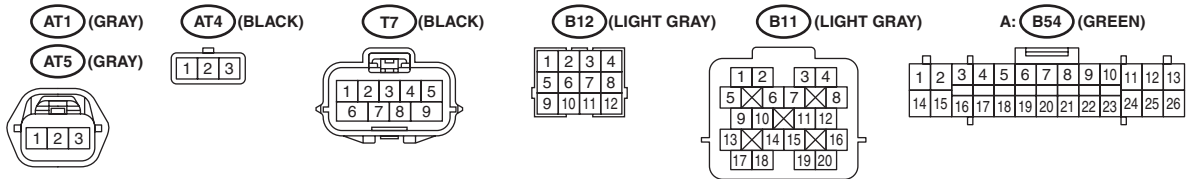
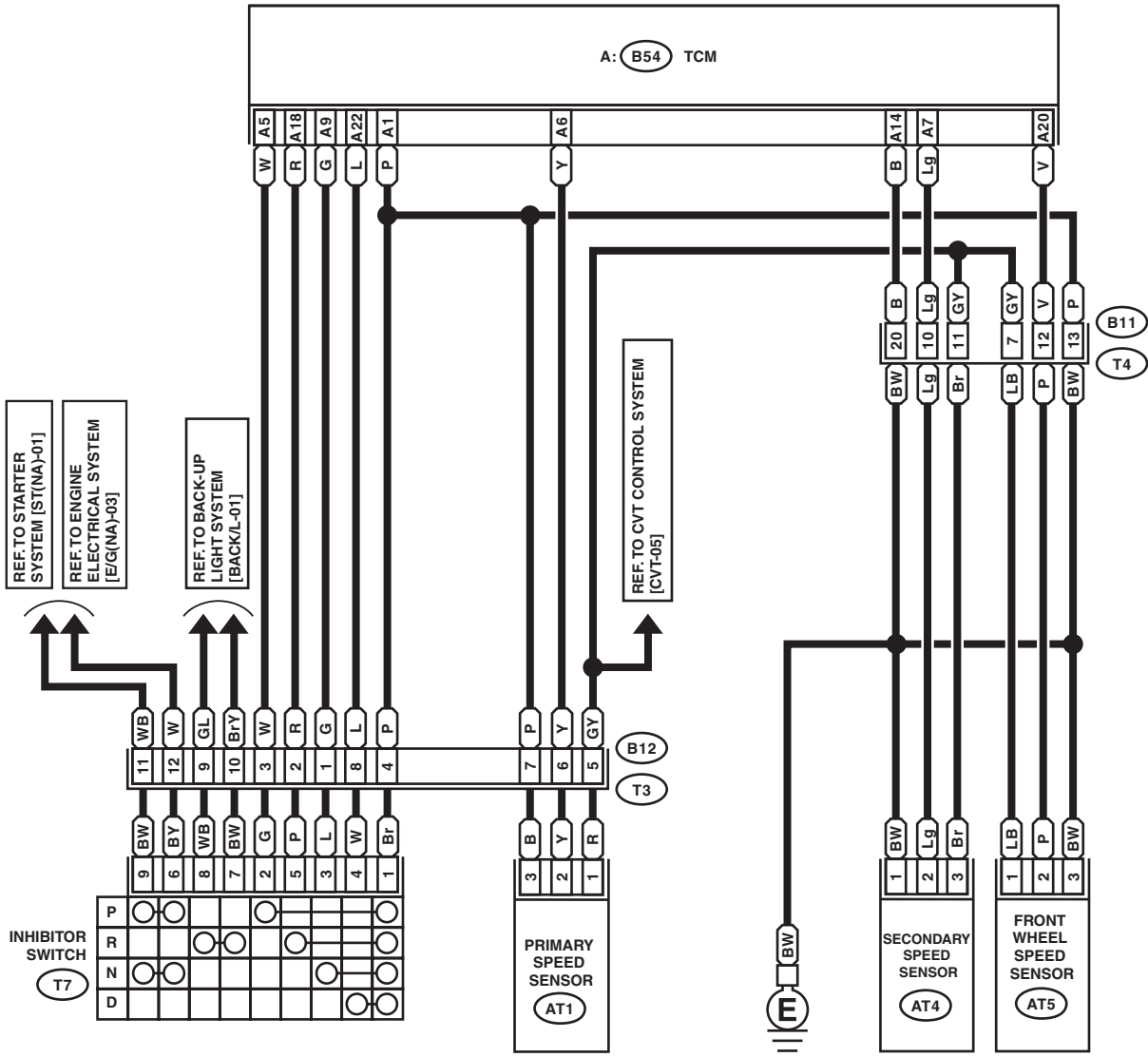
Ground Circuit

WIRING SYSTEM

6. TRANSMISSION GROUND (CVT MODEL)

GND-13

GND-13



WI-25411