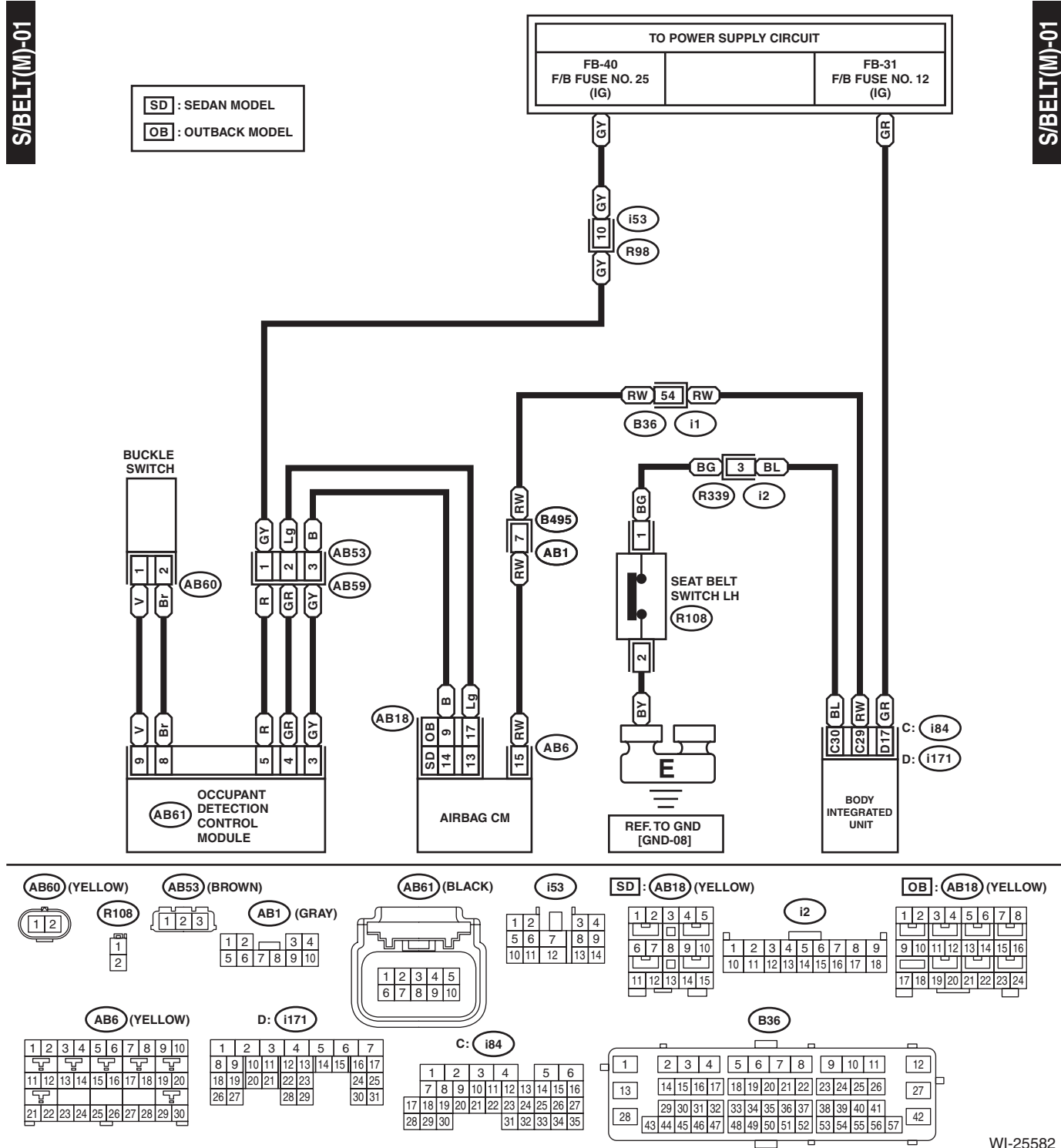


43. Seat Belt Warning System

A: WIRING DIAGRAM

1. MANUAL SEAT MODEL

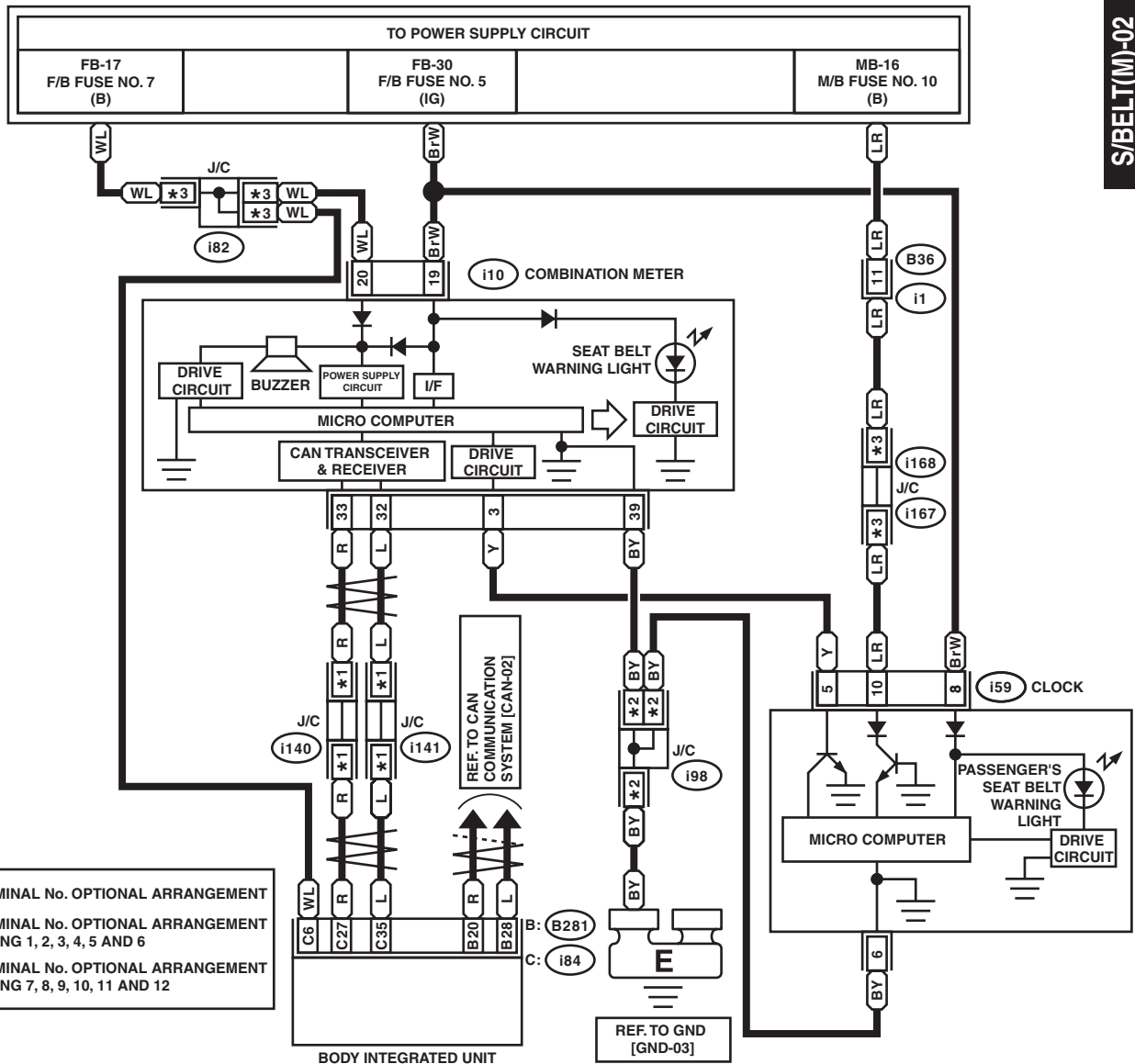


Seat Belt Warning System

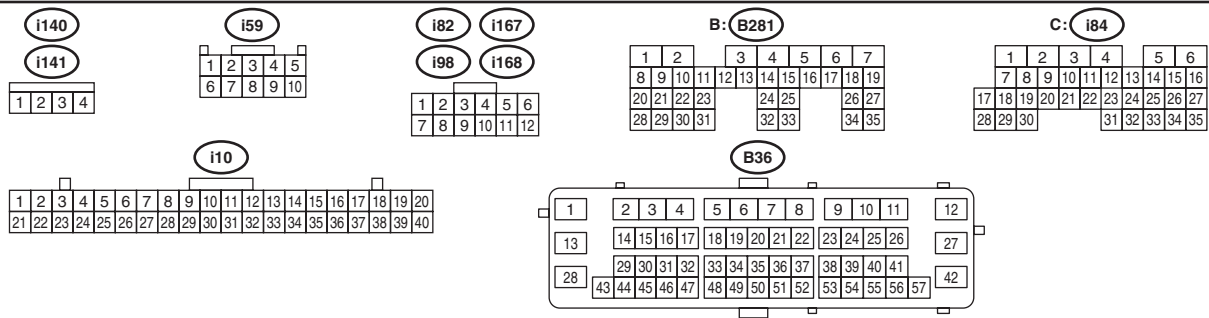
WIRING SYSTEM

S/BELT(M)-02

S/BELT(M)-02



- *1 : TERMINAL No. OPTIONAL ARRANGEMENT
- *2 : TERMINAL No. OPTIONAL ARRANGEMENT AMONG 1, 2, 3, 4, 5 AND 6
- *3 : TERMINAL No. OPTIONAL ARRANGEMENT AMONG 7, 8, 9, 10, 11 AND 12



WI-25583

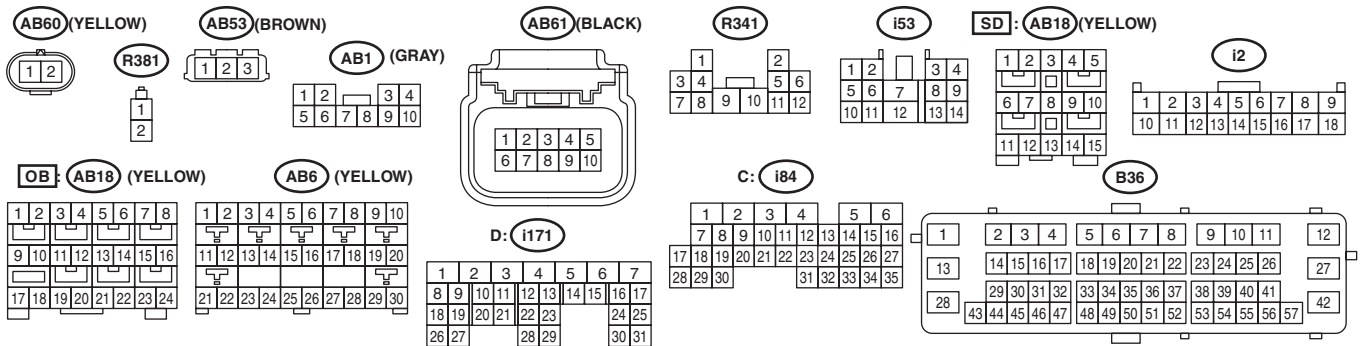
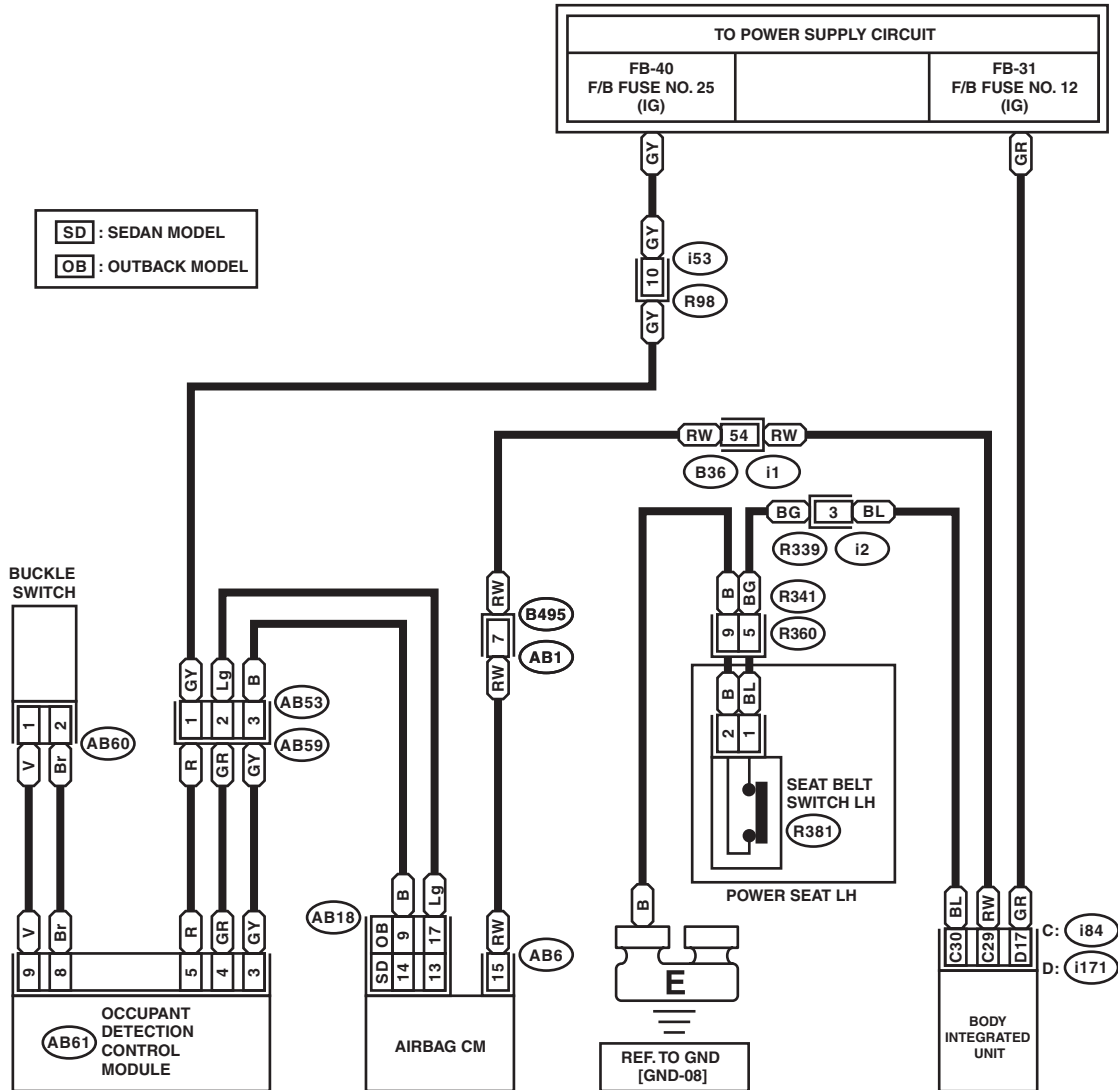
Seat Belt Warning System

WIRING SYSTEM

2. MODEL WITH POWER SEATS

S/BELT(P)-01

S/BELT(P)-01



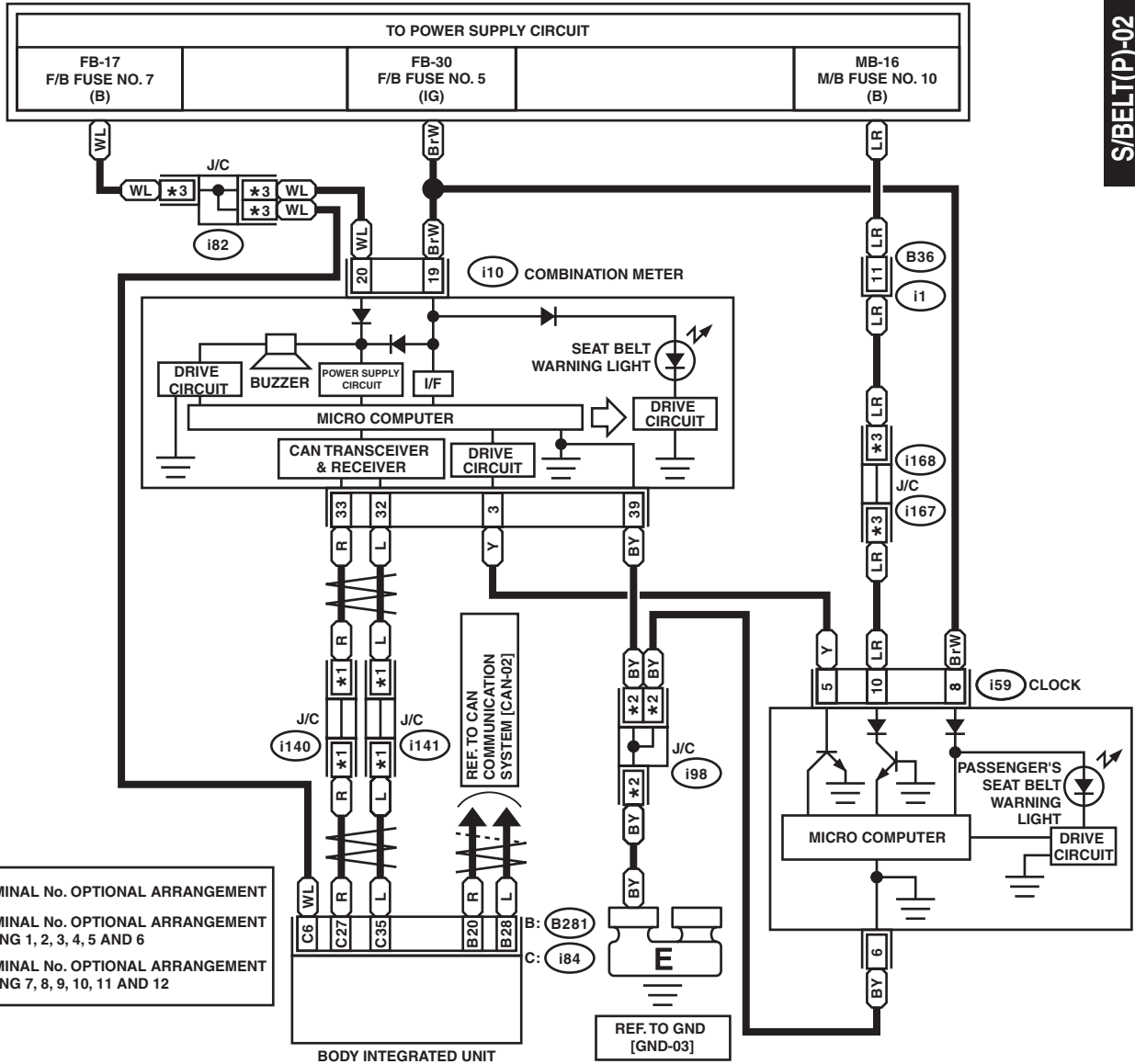
WI-25584

Seat Belt Warning System

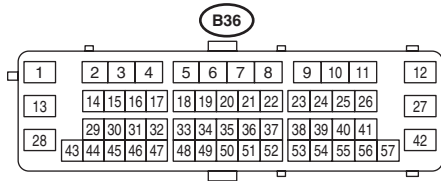
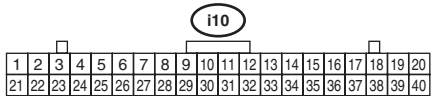
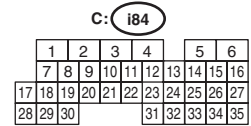
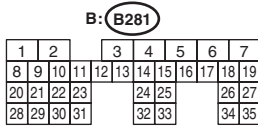
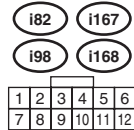
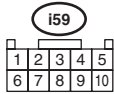
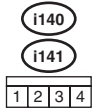
WIRING SYSTEM

S/BELT(P)-02

S/BELT(P)-02



- *1 : TERMINAL No. OPTIONAL ARRANGEMENT
- *2 : TERMINAL No. OPTIONAL ARRANGEMENT AMONG 1, 2, 3, 4, 5 AND 6
- *3 : TERMINAL No. OPTIONAL ARRANGEMENT AMONG 7, 8, 9, 10, 11 AND 12



WI-25585