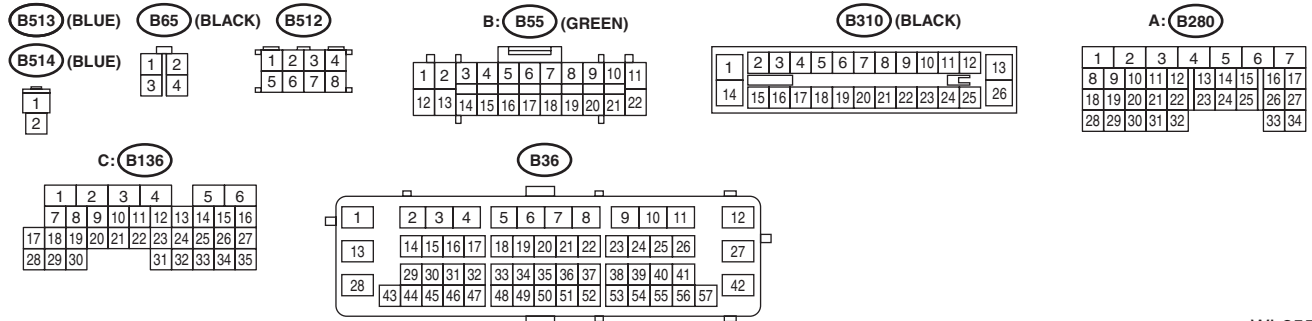
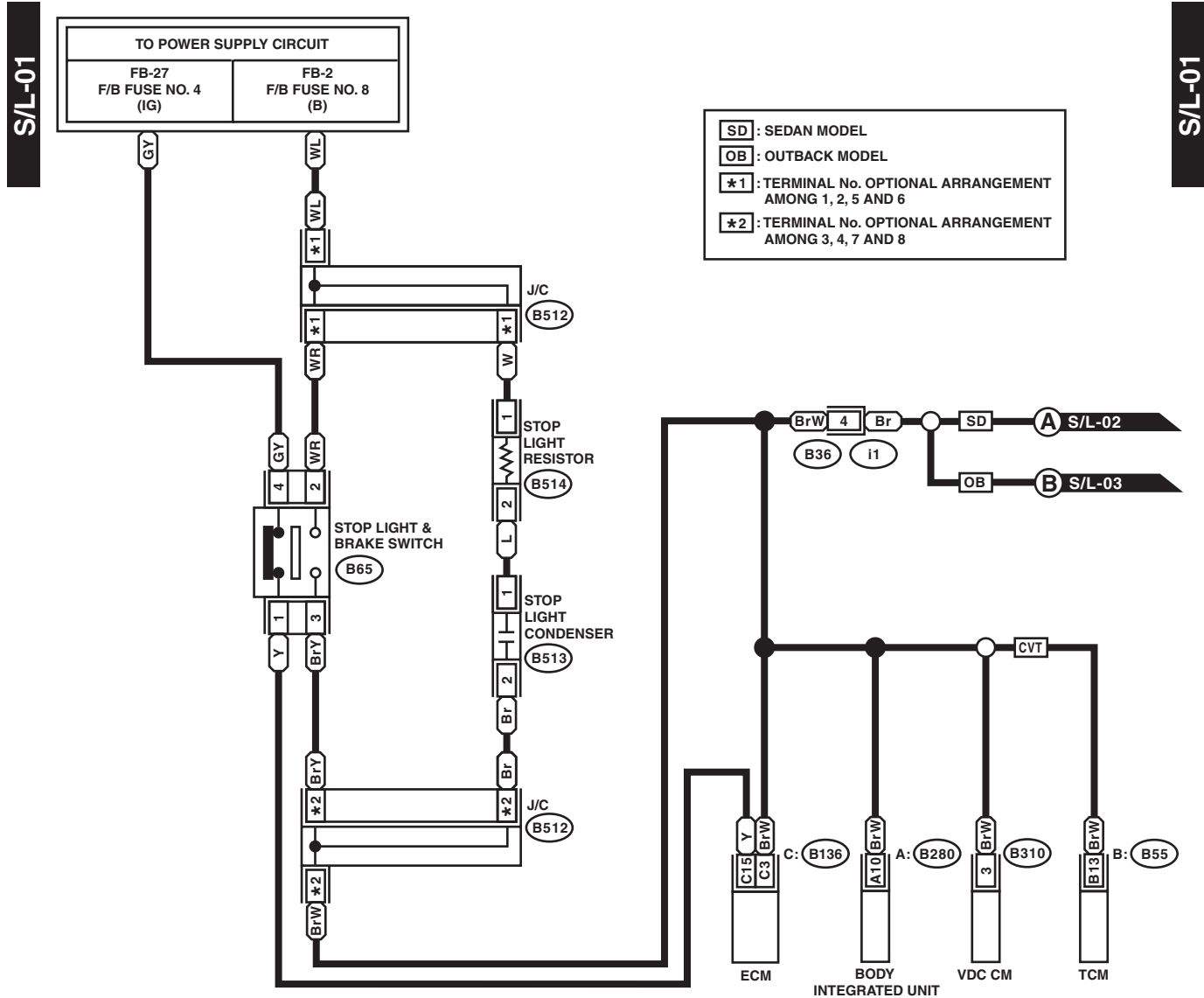


# Stop Light System

WIRING SYSTEM

## 48. Stop Light System

### A: WIRING DIAGRAM



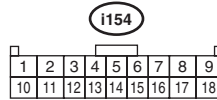
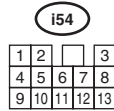
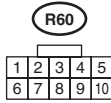
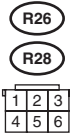
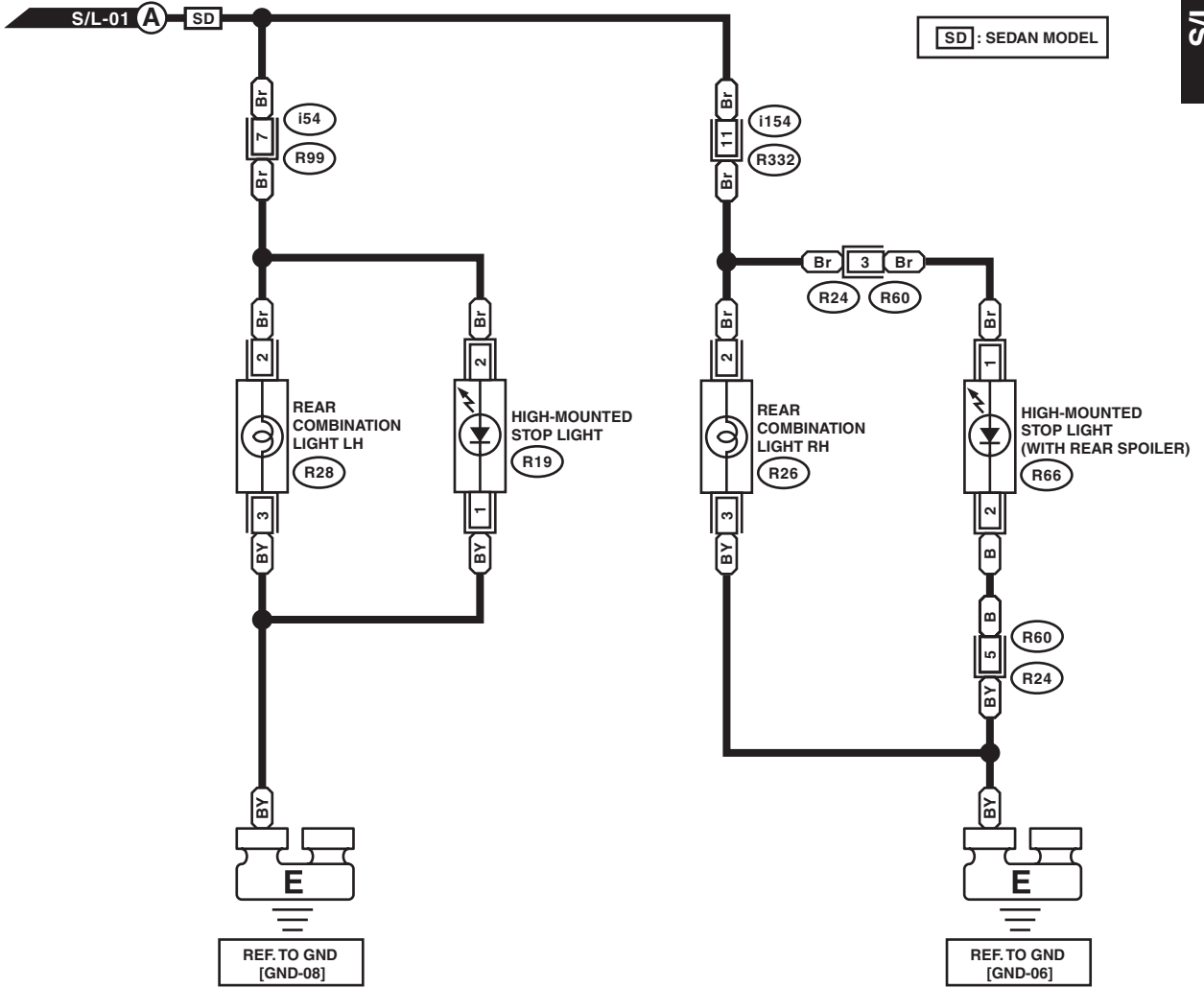
WI-25595

# Stop Light System

WIRING SYSTEM

S/L-02

S/L-02



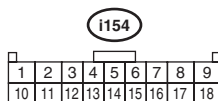
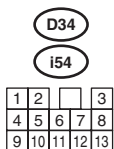
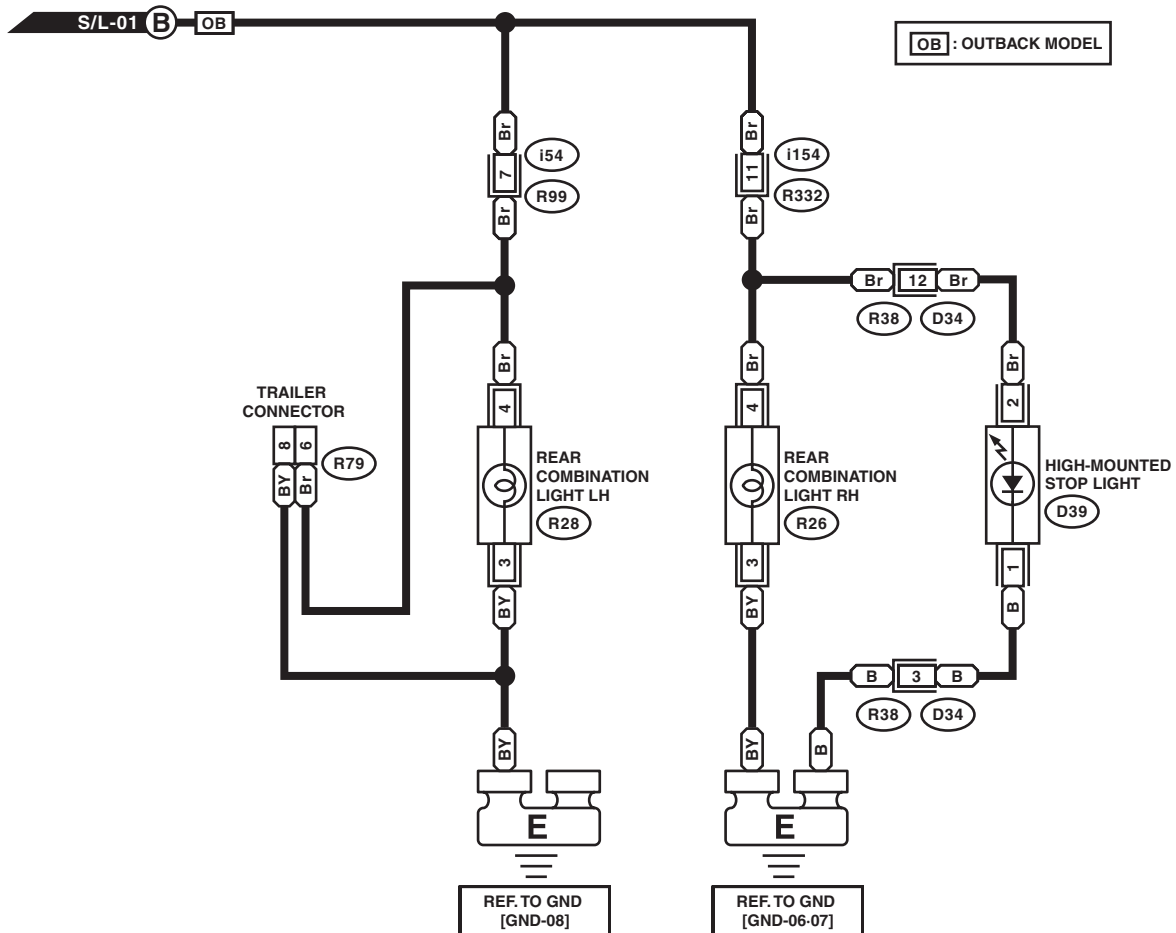
WI-25596

# Stop Light System

WIRING SYSTEM

S/L-03

S/L-03



WI-25597