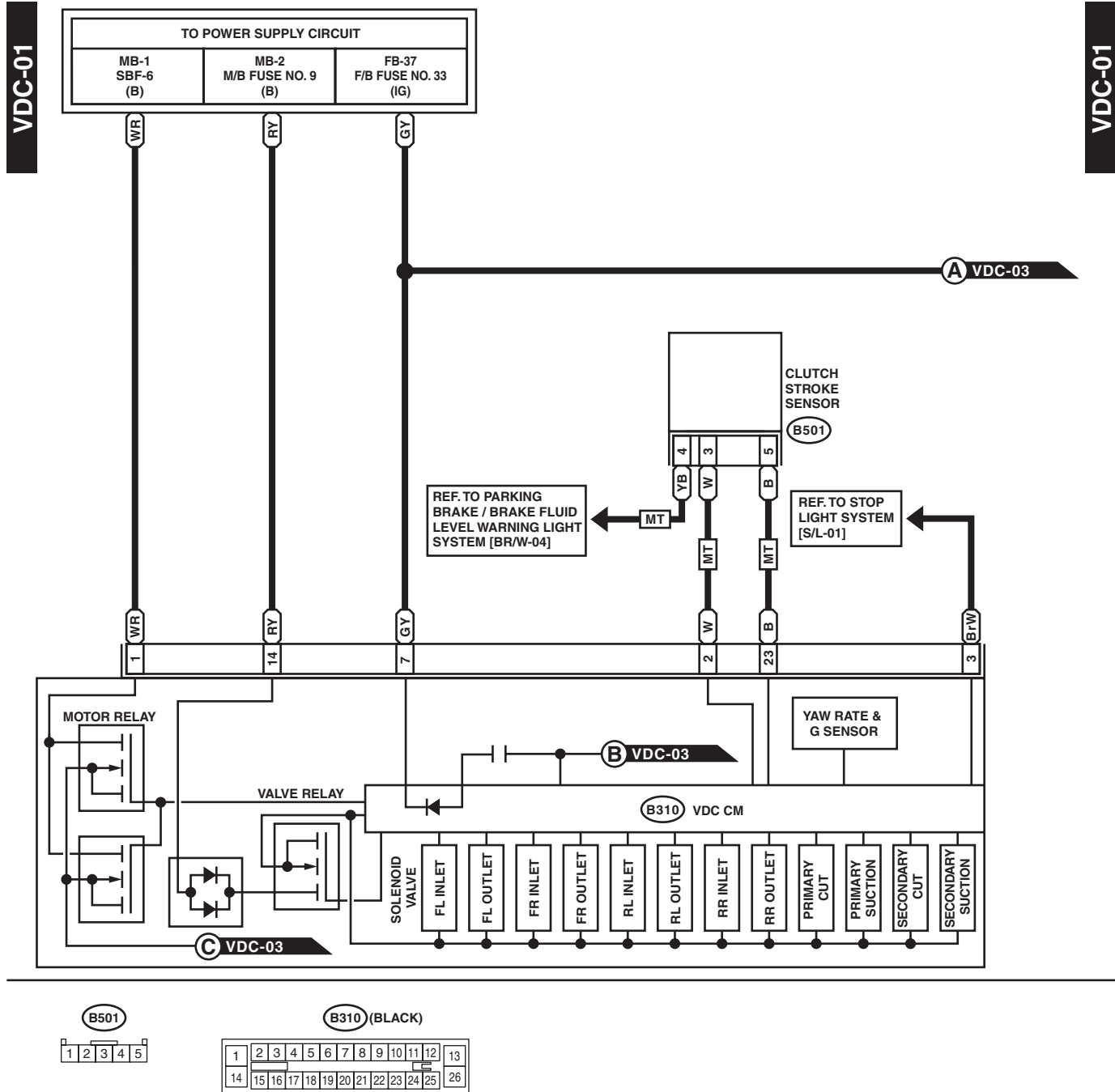


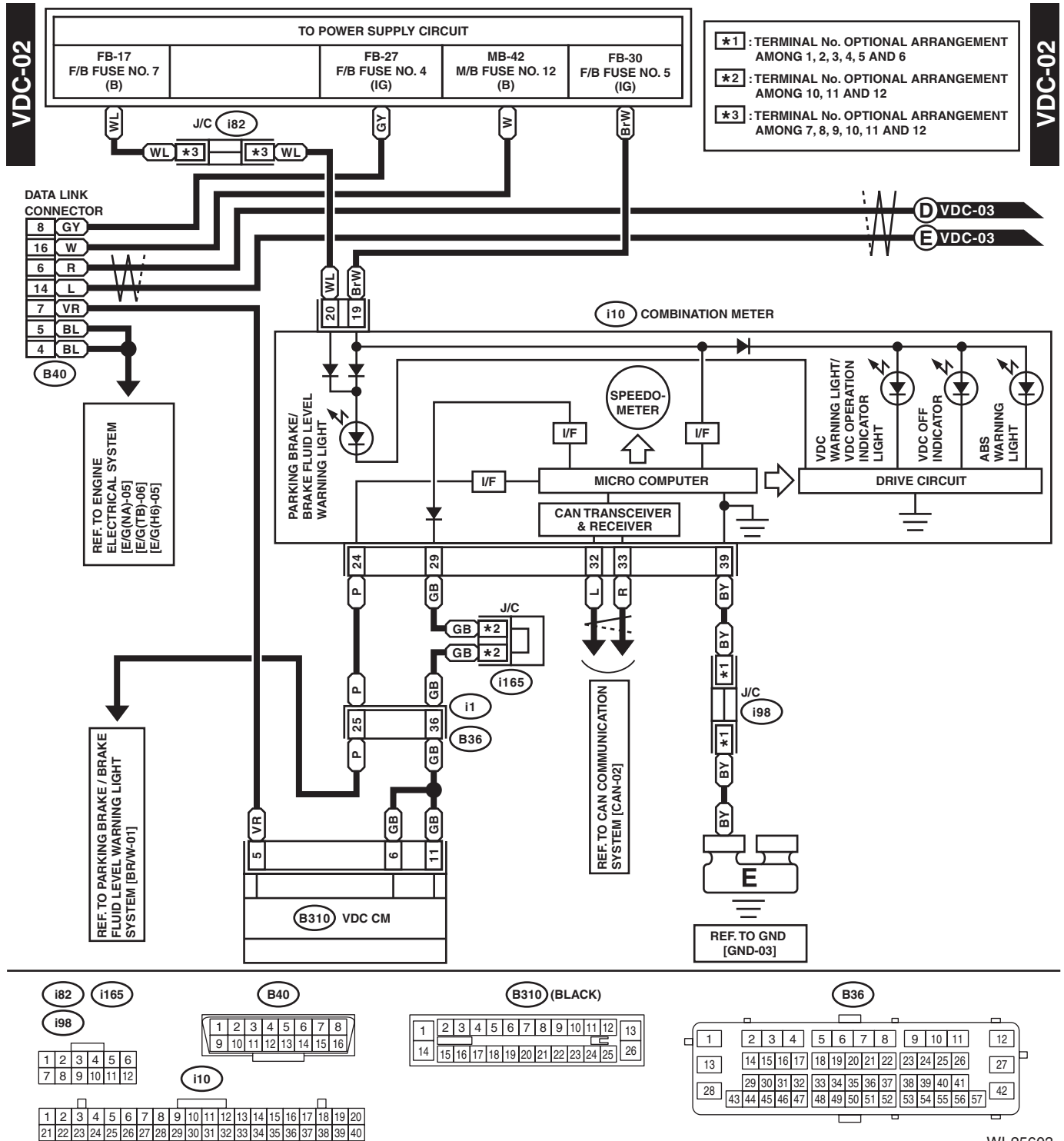
52. Vehicle Dynamics Control System

A: WIRING DIAGRAM



Vehicle Dynamics Control System

WIRING SYSTEM



WI-25603

