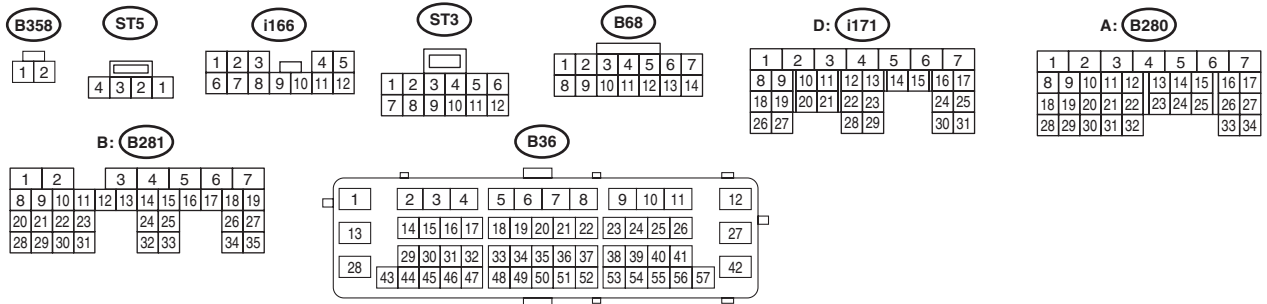
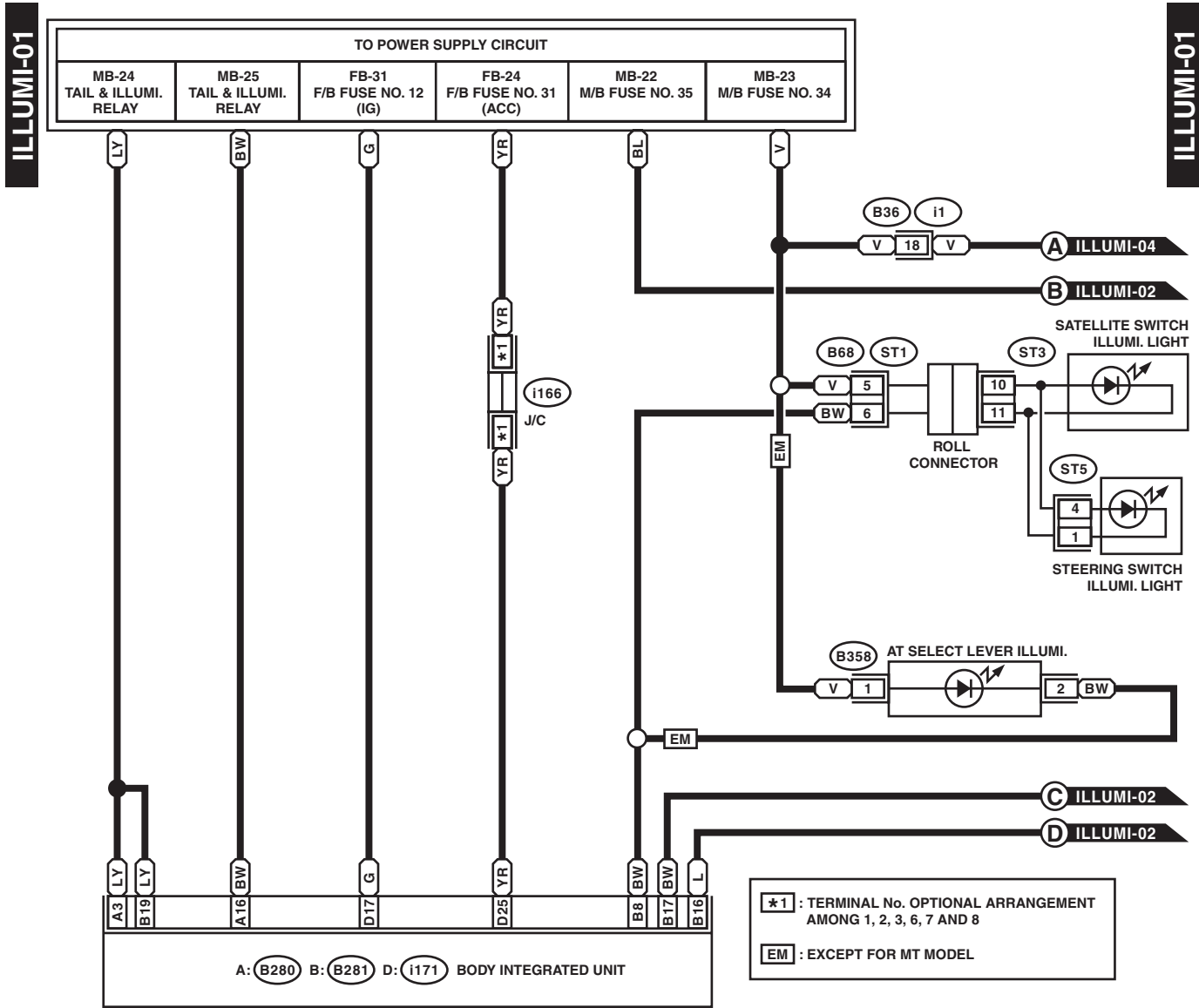


## 12. Clearance Light and Illumination Light System

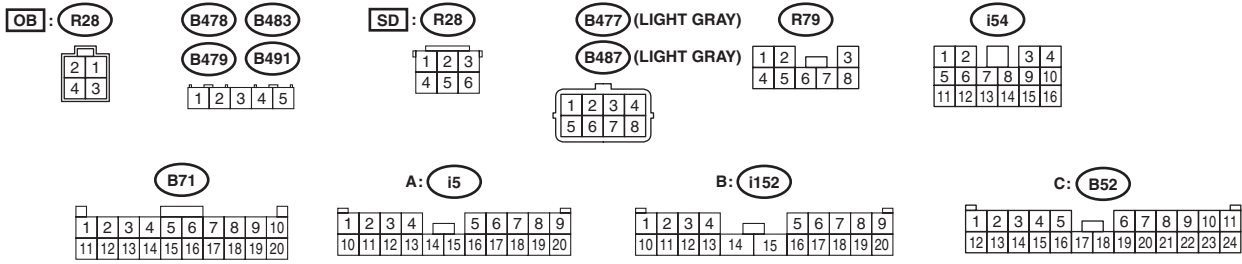
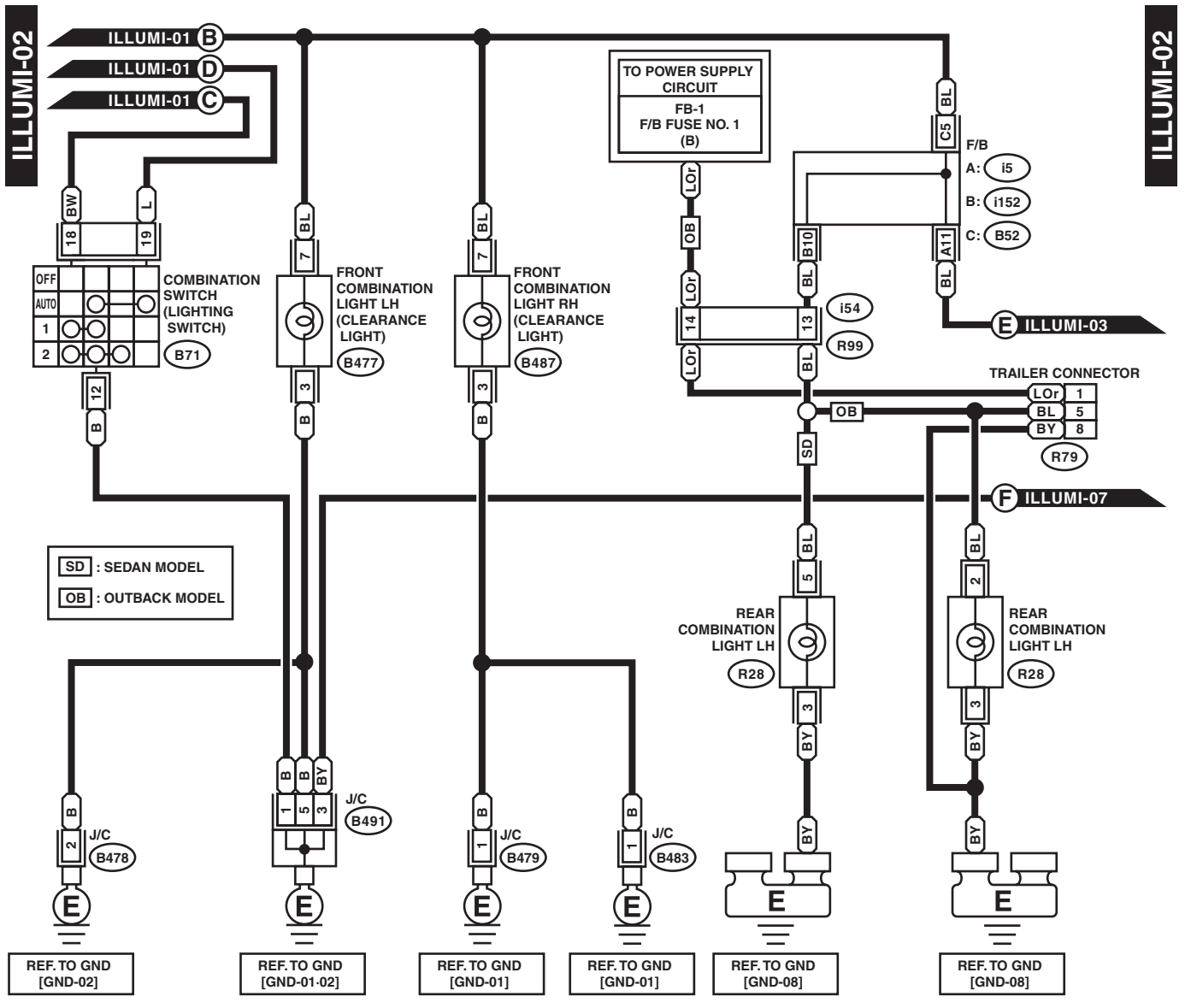
### A: WIRING DIAGRAM



WI-36179

# Clearance Light and Illumination Light System

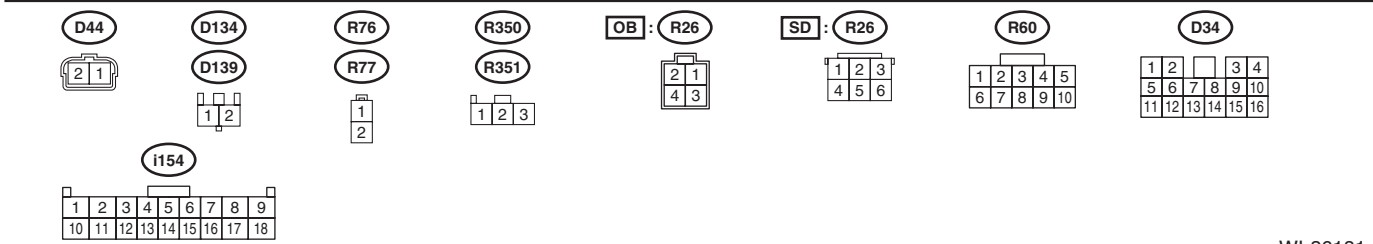
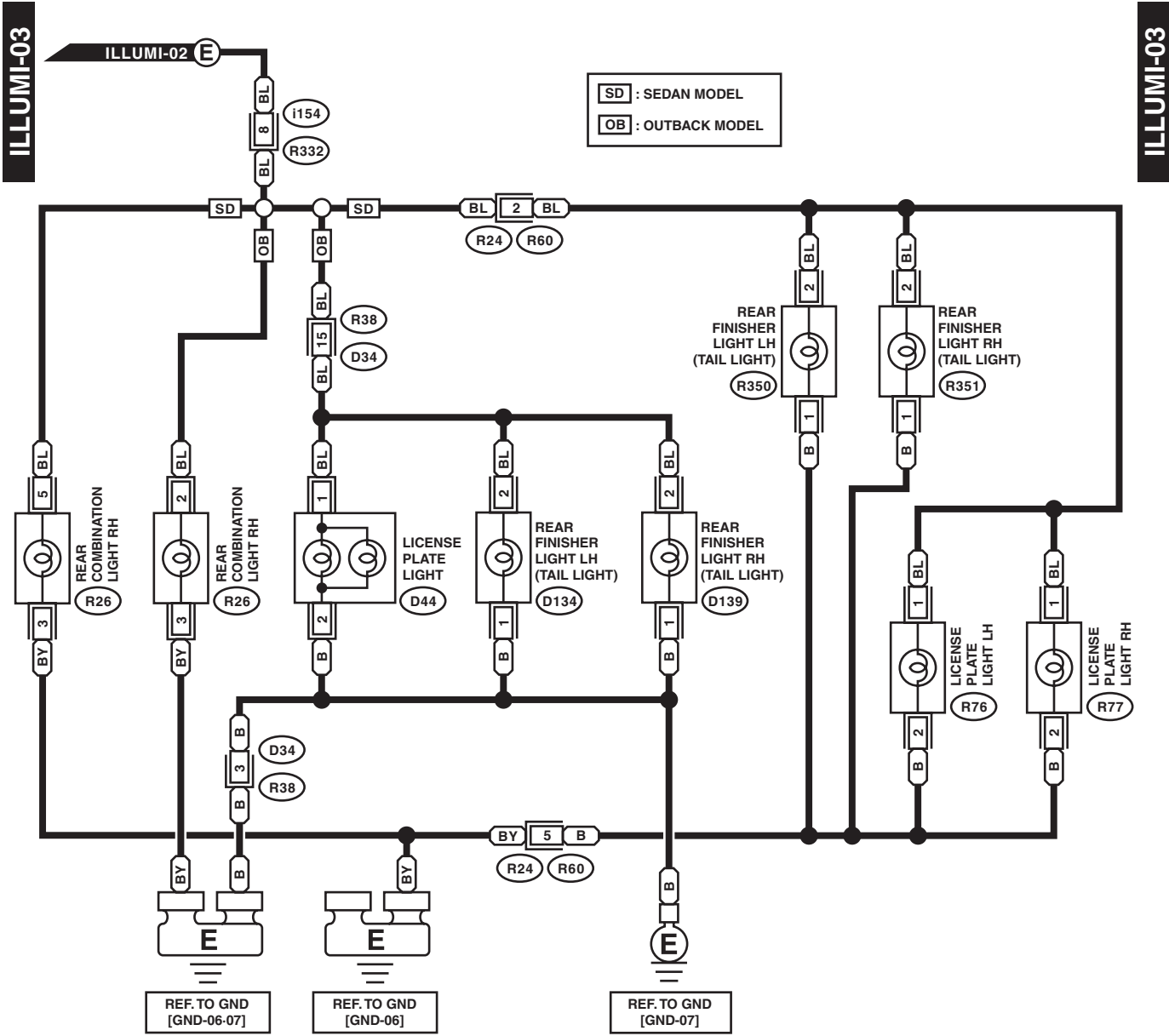
## WIRING SYSTEM



WI-36180

# Clearance Light and Illumination Light System

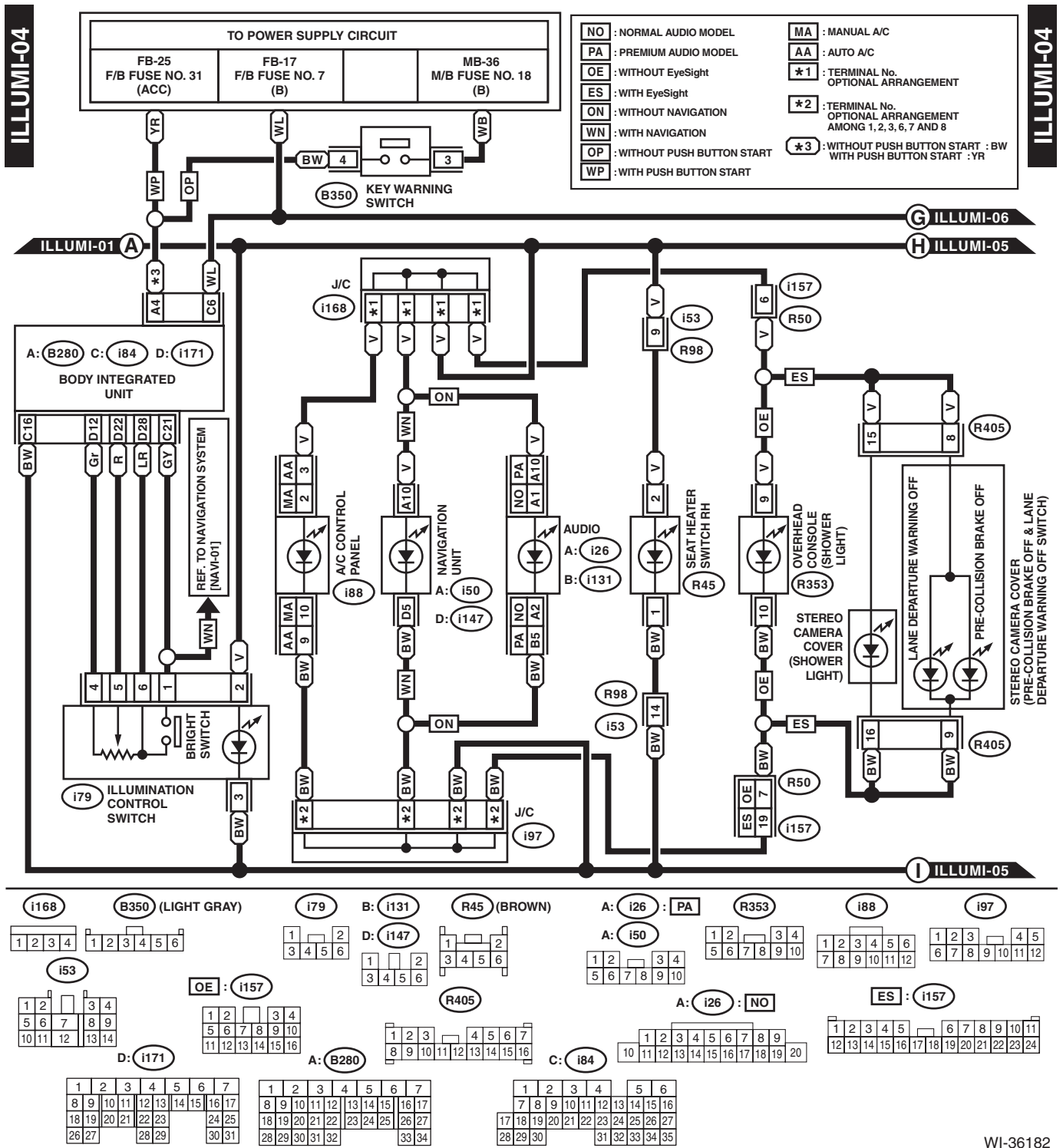
WIRING SYSTEM



WI-36181

# Clearance Light and Illumination Light System

## WIRING SYSTEM



WI-36182

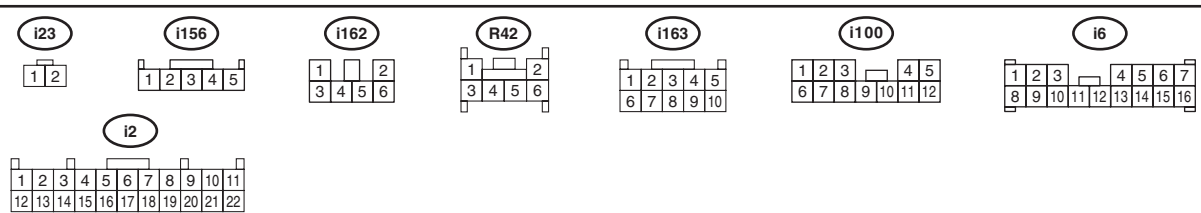
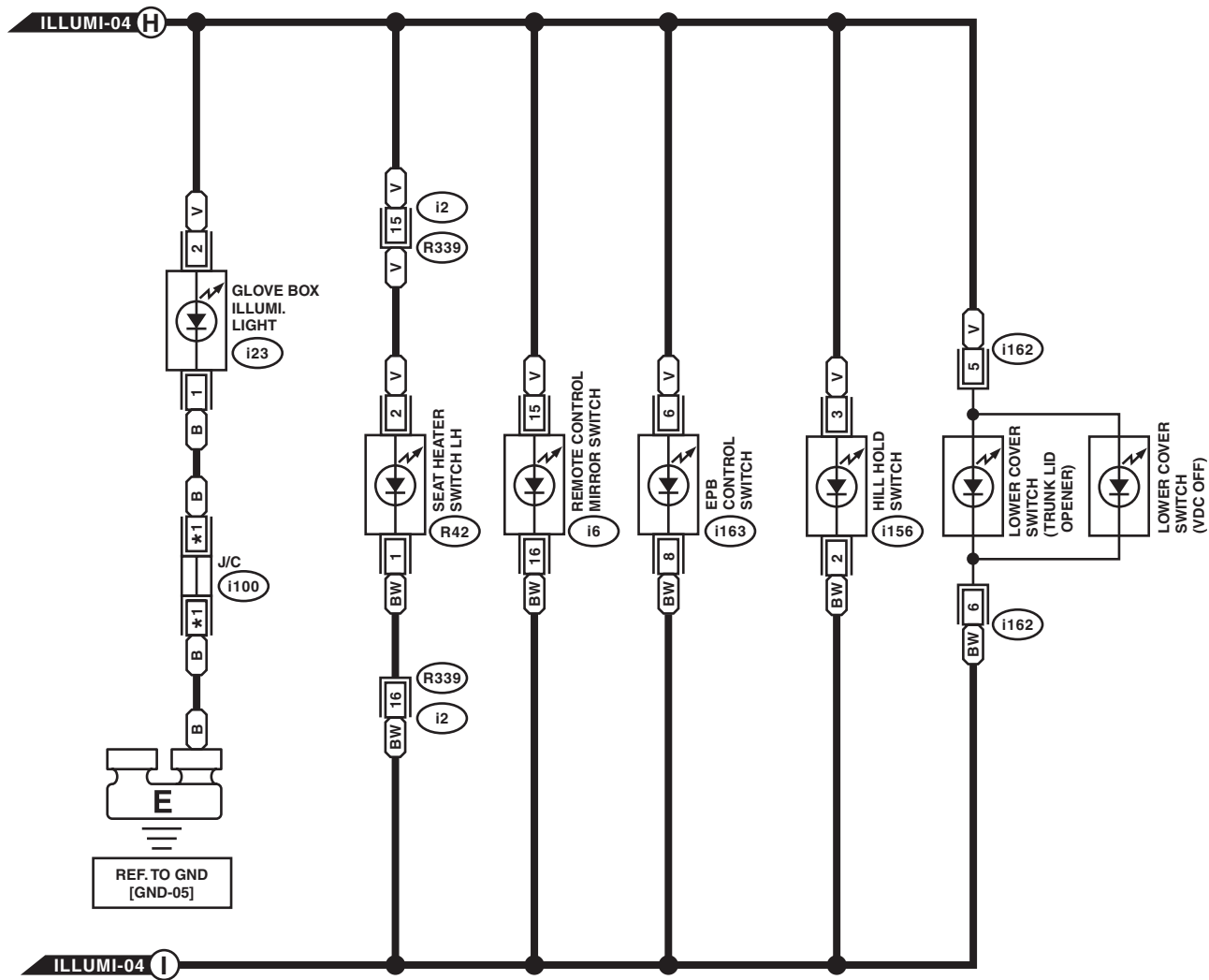
# Clearance Light and Illumination Light System

WIRING SYSTEM

ILLUMI-05

ILLUMI-05

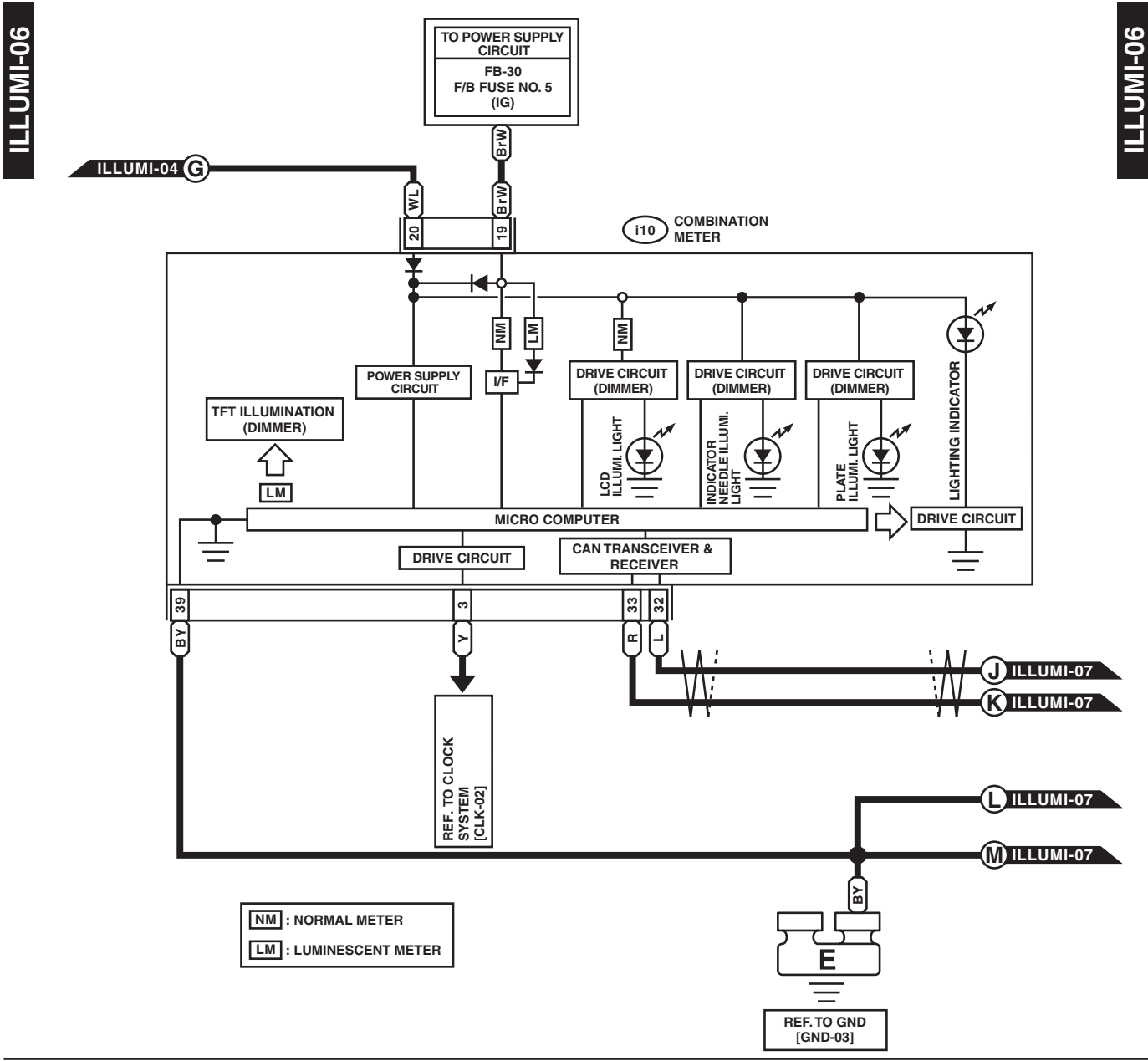
\*1 : TERMINAL No. OPTIONAL ARRANGEMENT



WI-36183

# Clearance Light and Illumination Light System

WIRING SYSTEM



(i10)

1	2	3	4	5	6	7	8	9	10	11	12	13	14	15	16	17	18	19	20
21	22	23	24	25	26	27	28	29	30	31	32	33	34	35	36	37	38	39	40

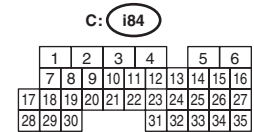
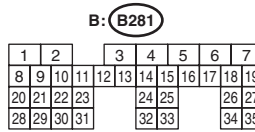
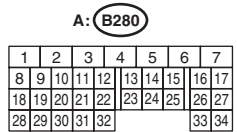
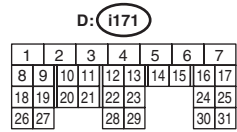
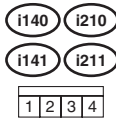
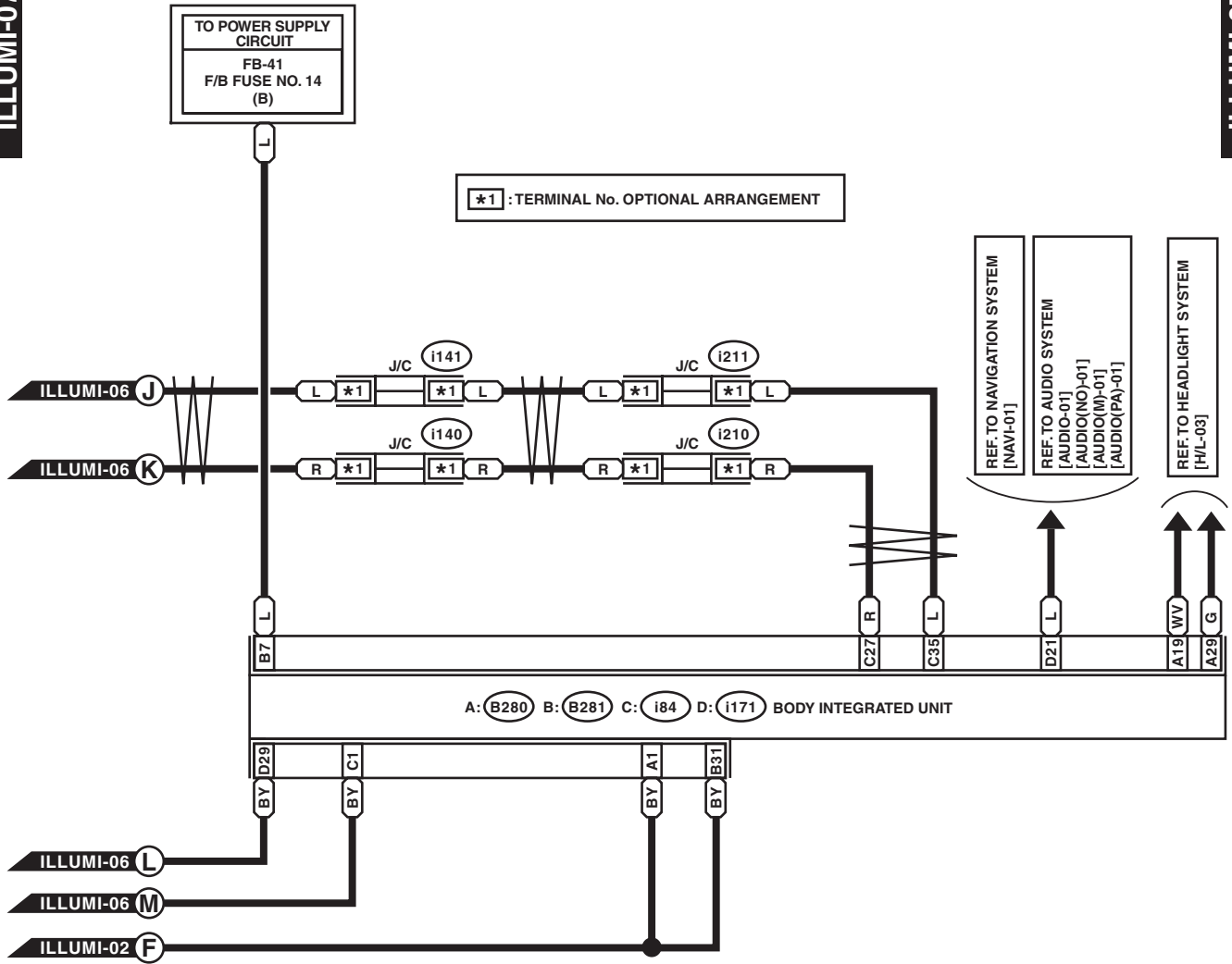
WI-36184

# Clearance Light and Illumination Light System

WIRING SYSTEM

ILLUMI-07

ILLUMI-07



WI-36185