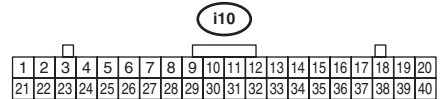
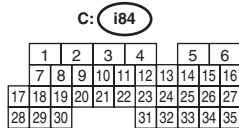
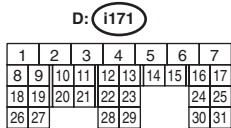
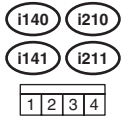
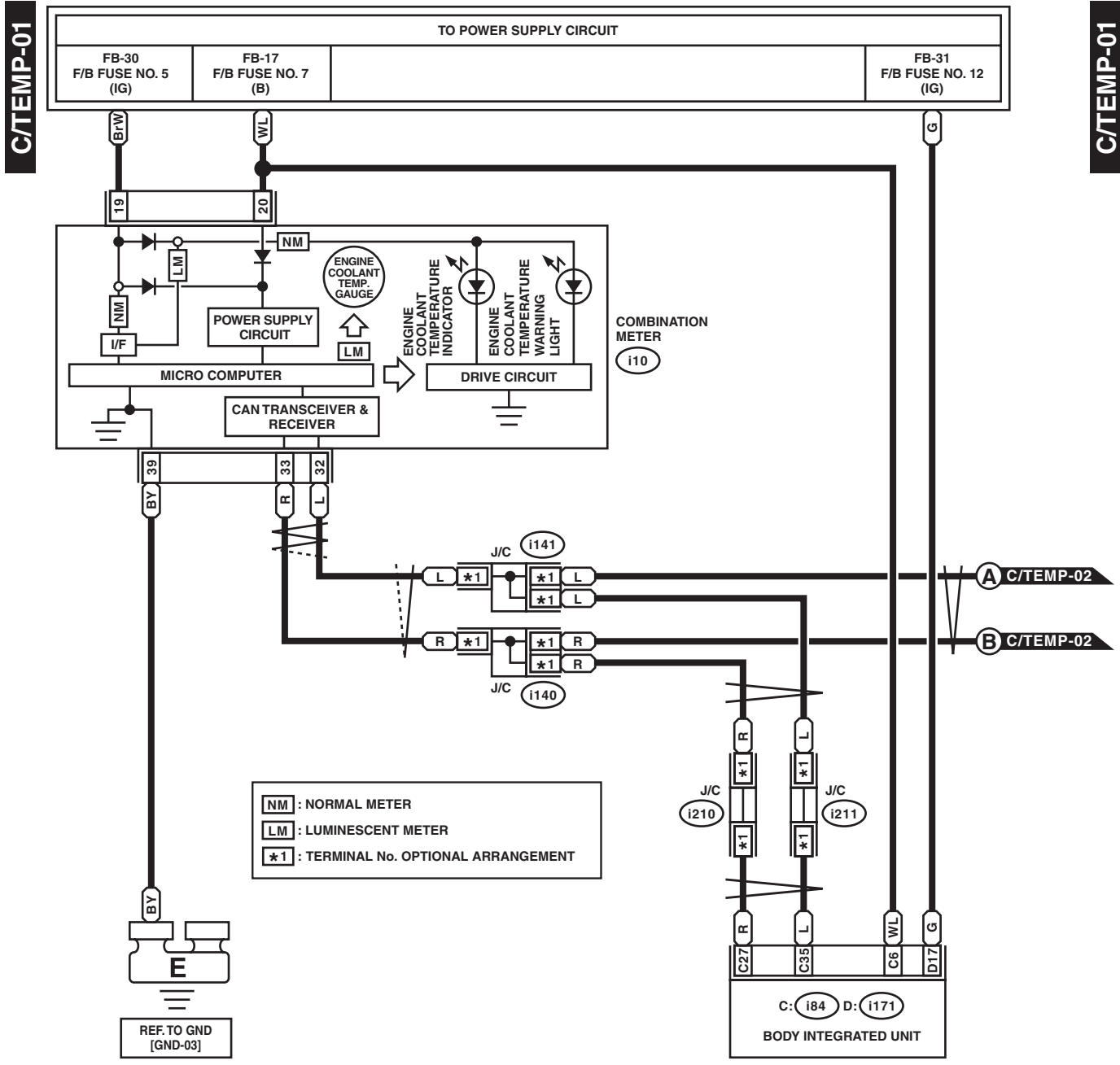


Coolant Temperature System

WIRING SYSTEM

15. Coolant Temperature System

A: WIRING DIAGRAM



WI-36198

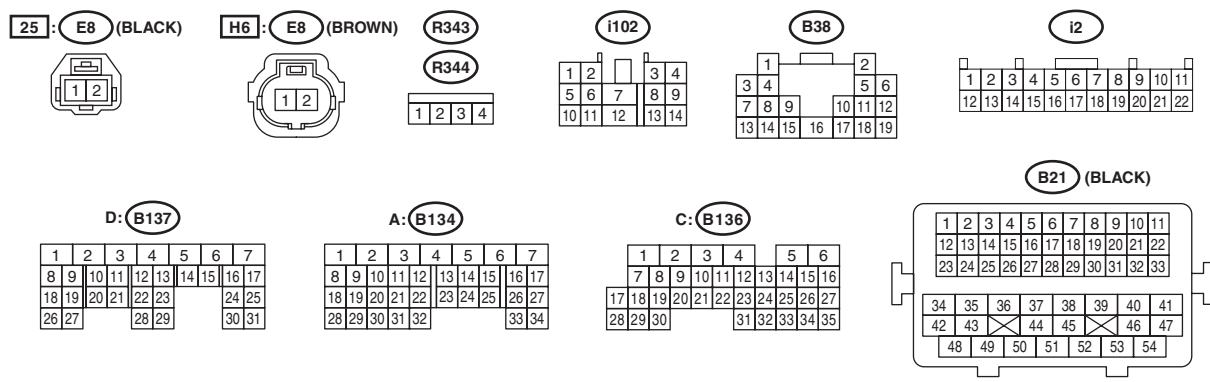
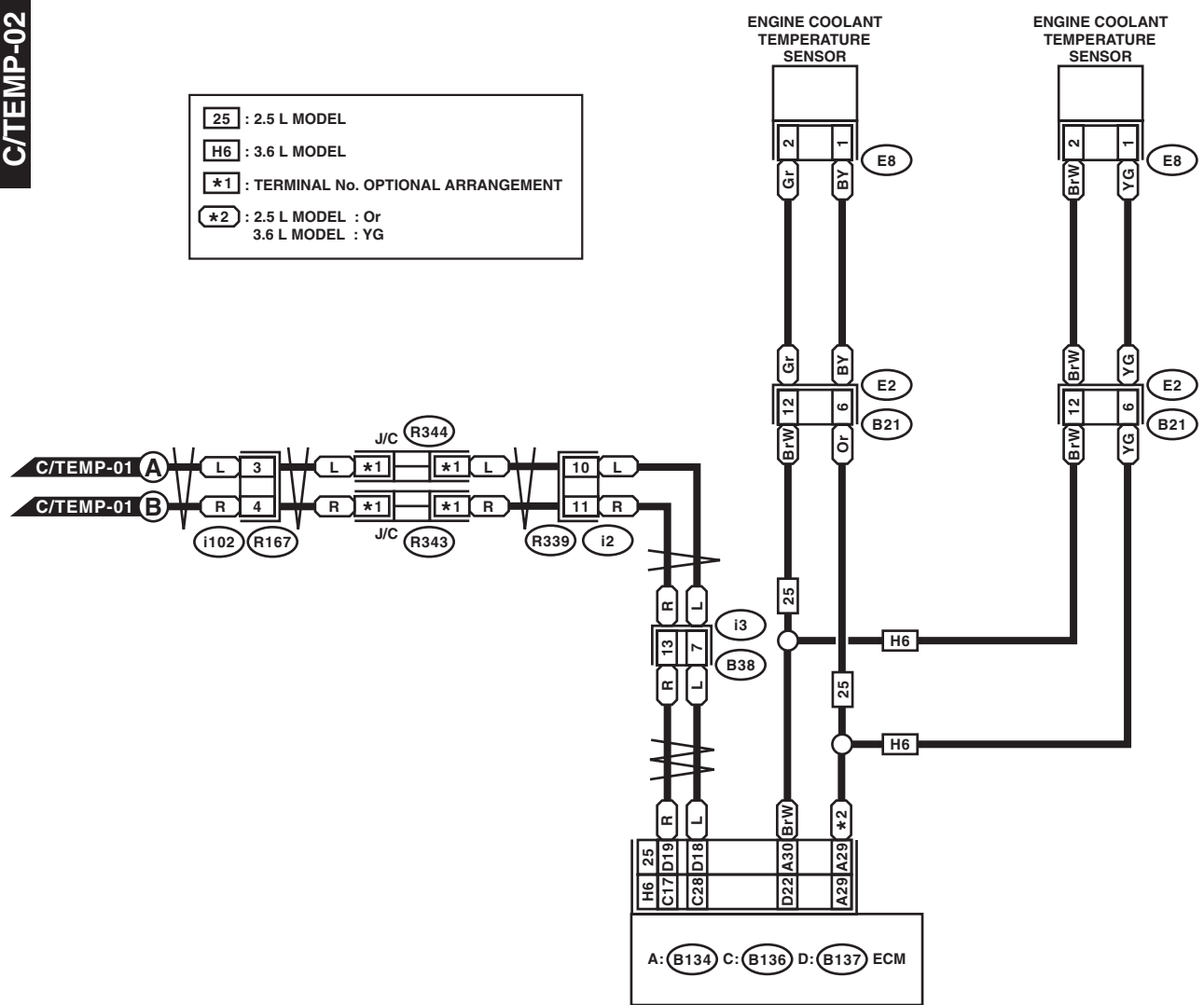
Coolant Temperature System

WIRING SYSTEM

C/TEMP-02

C/TEMP-02

- 25** : 2.5 L MODEL
- H6** : 3.6 L MODEL
- *1** : TERMINAL No. OPTIONAL ARRANGEMENT
- *2** : 2.5 L MODEL : Or
3.6 L MODEL : YG



WI-36199