

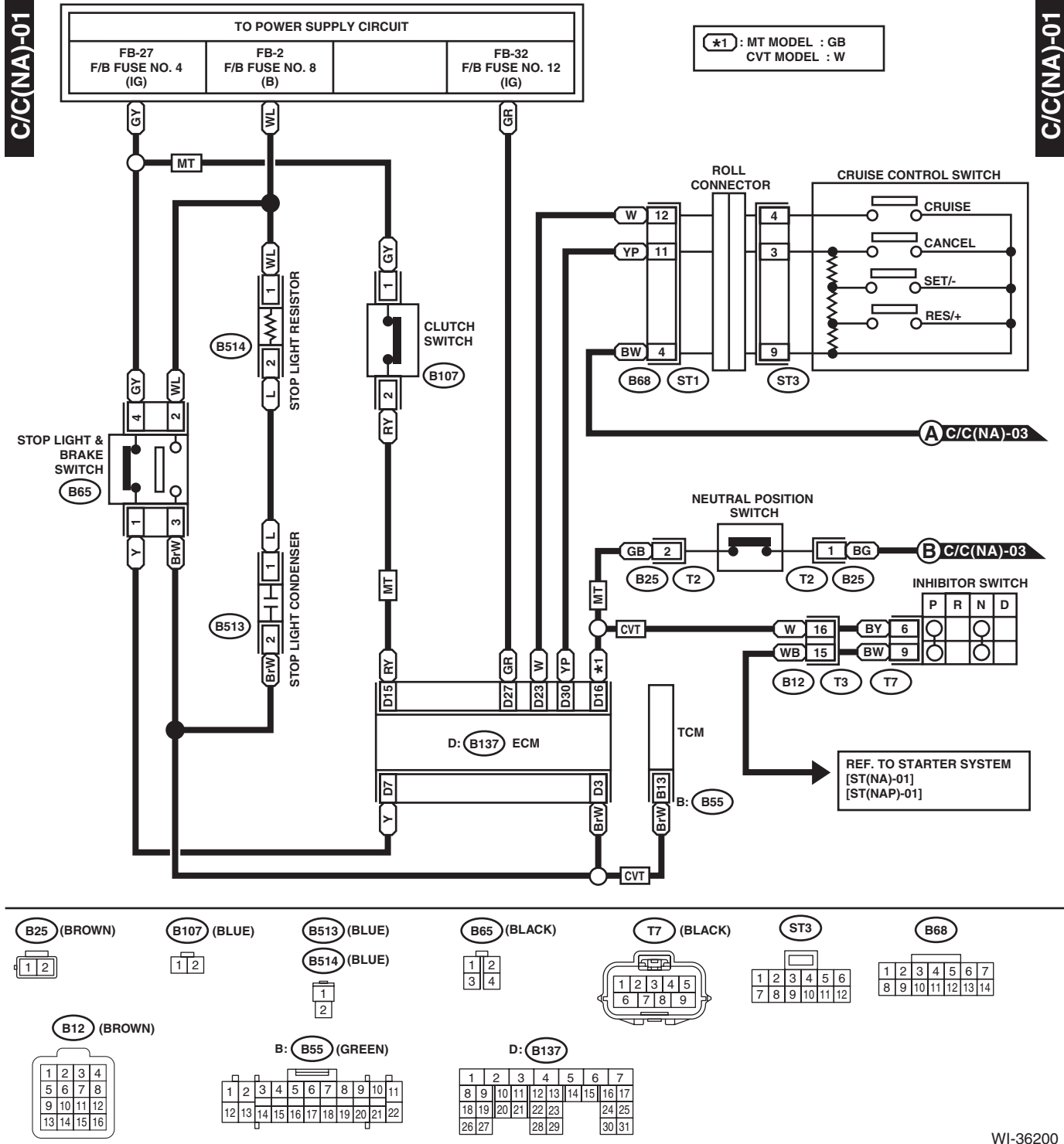
# Cruise Control System

WIRING SYSTEM

## 16. Cruise Control System

### A: WIRING DIAGRAM

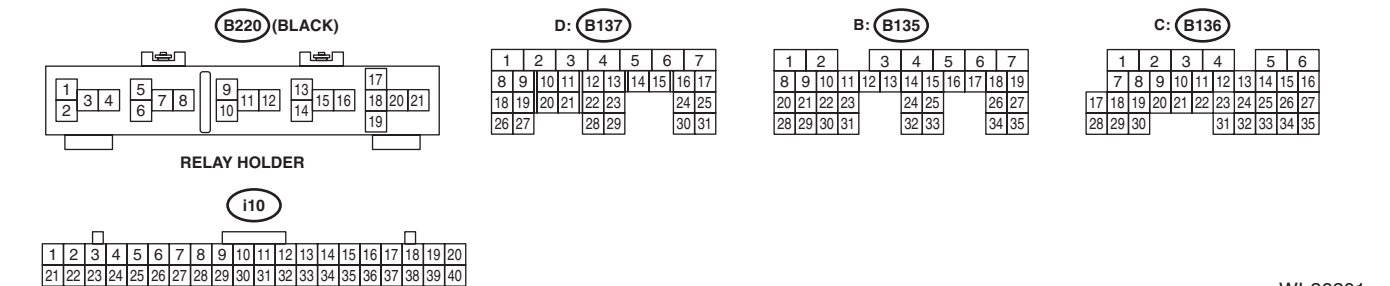
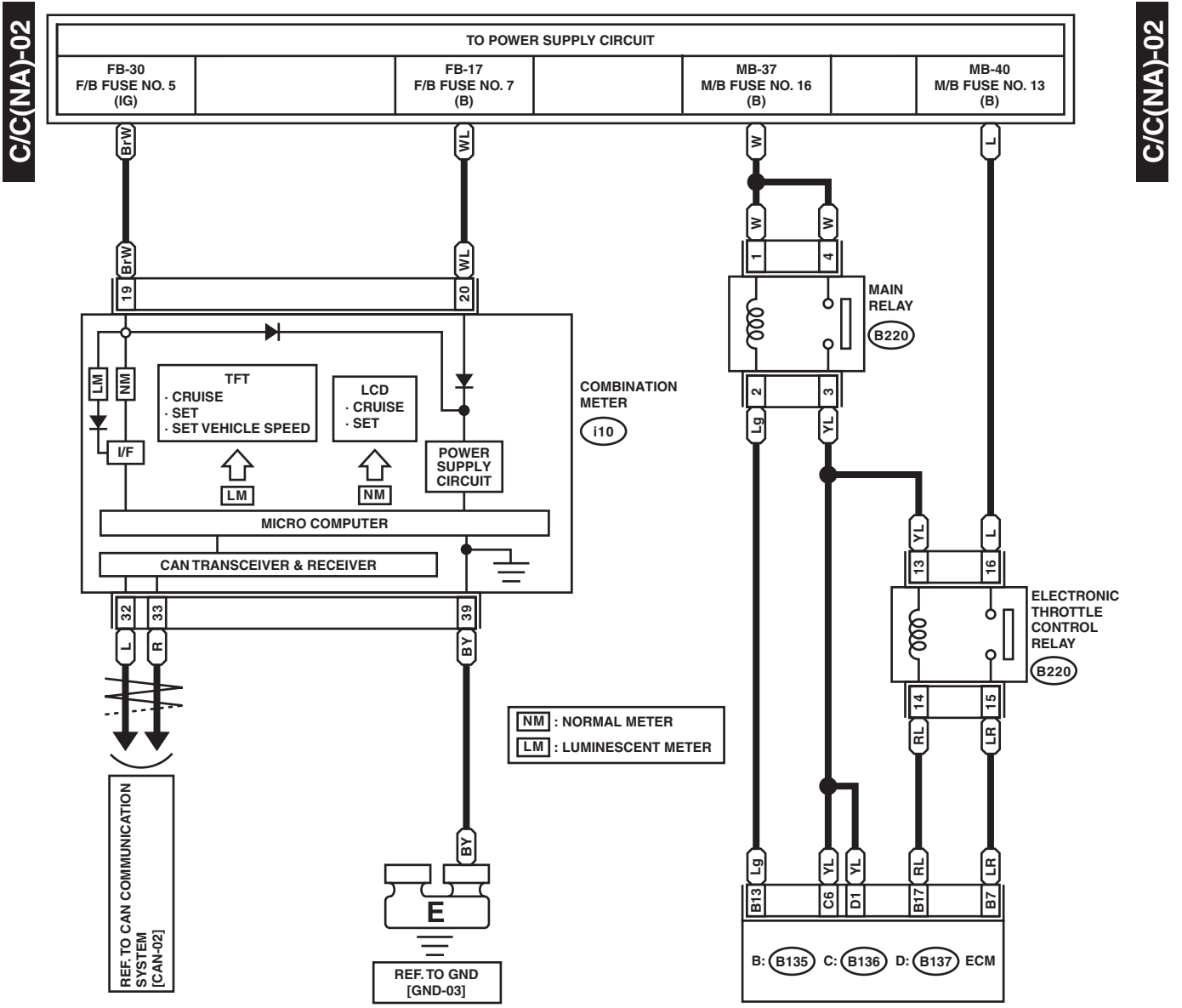
#### 1. 2.5 L MODEL



WI-36200

# Cruise Control System

WIRING SYSTEM



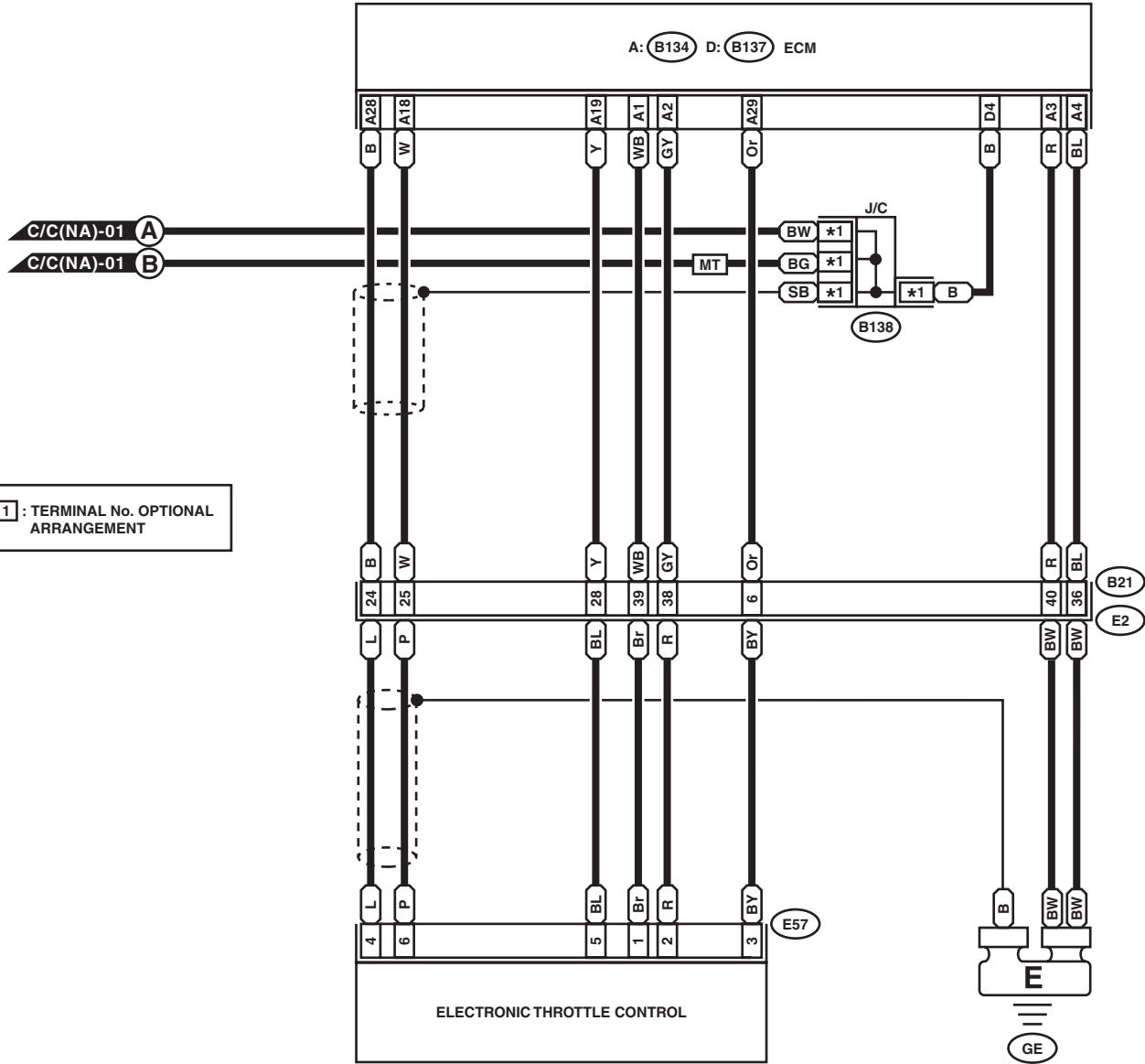
WI-36201

# Cruise Control System

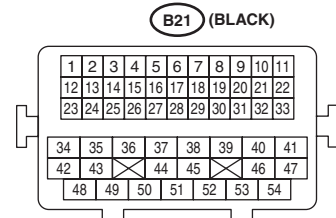
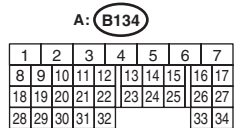
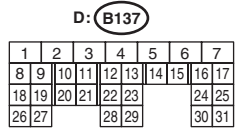
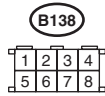
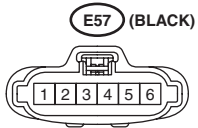
WIRING SYSTEM

C/C(NA)-03

C/C(NA)-03



\*1 : TERMINAL No. OPTIONAL ARRANGEMENT

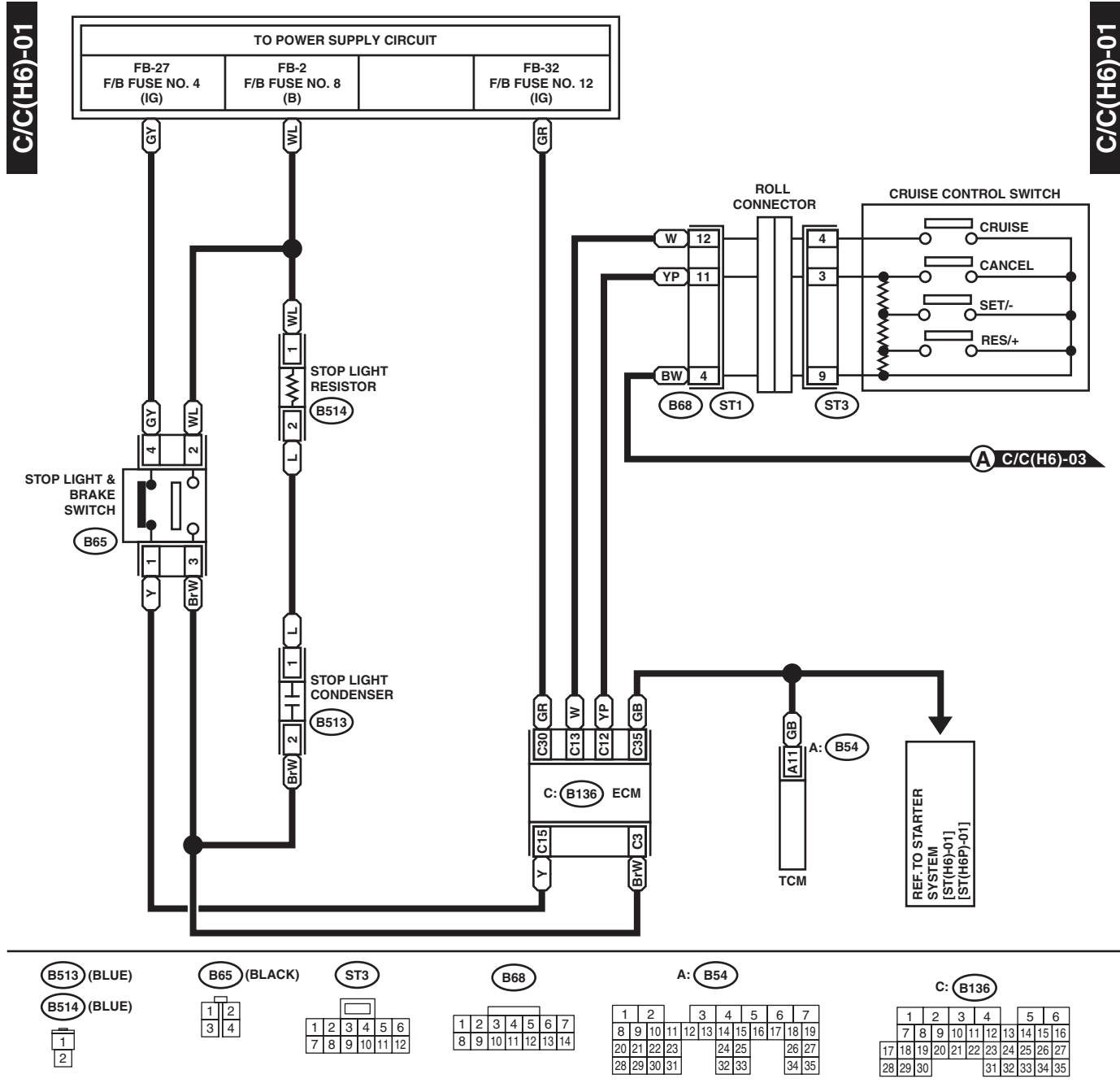


WI-36202

# Cruise Control System

WIRING SYSTEM

## 2. 3.6 L MODEL



WI-36203



