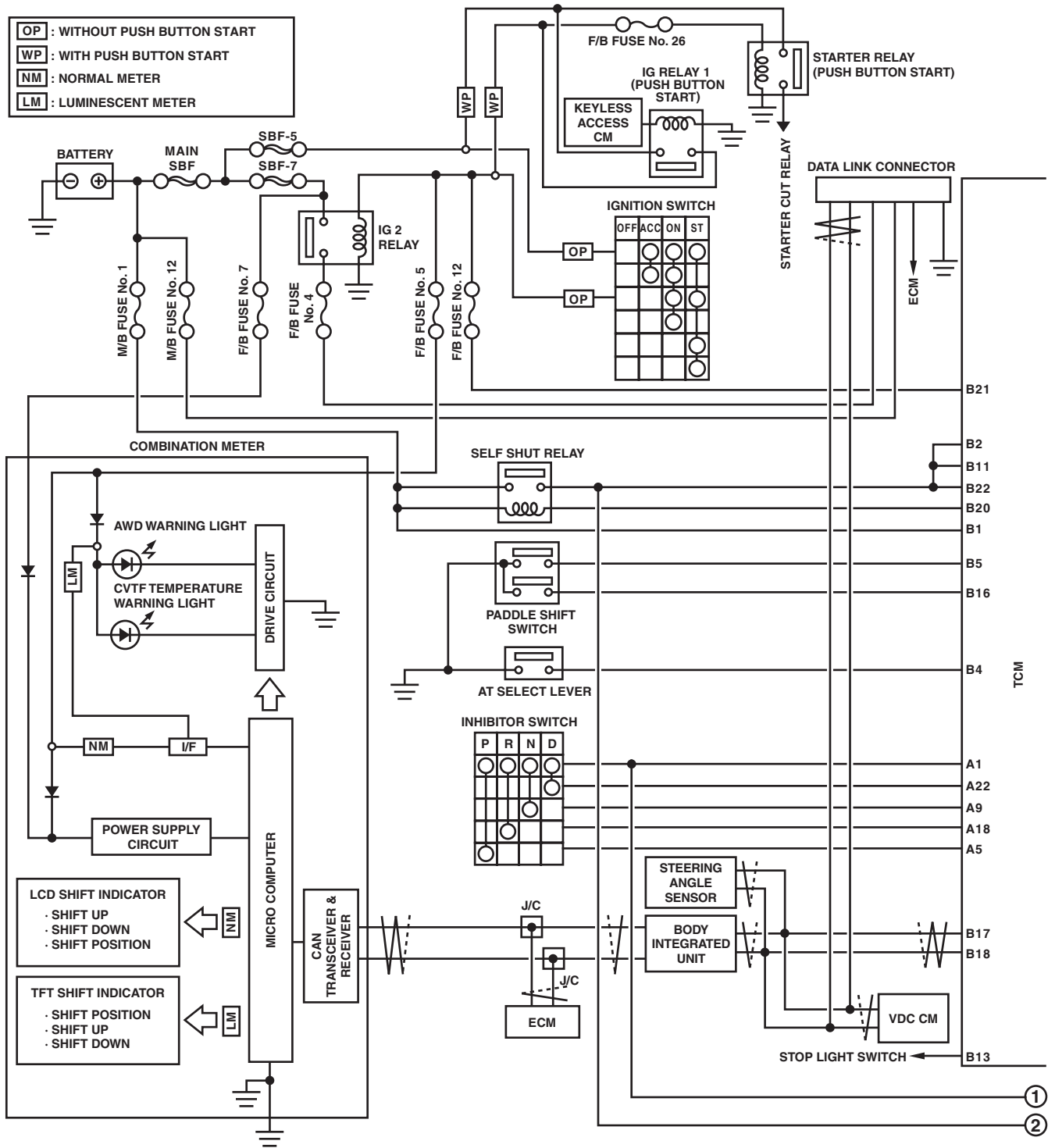


# CVT Control System

## WIRING SYSTEM

### 17. CVT Control System

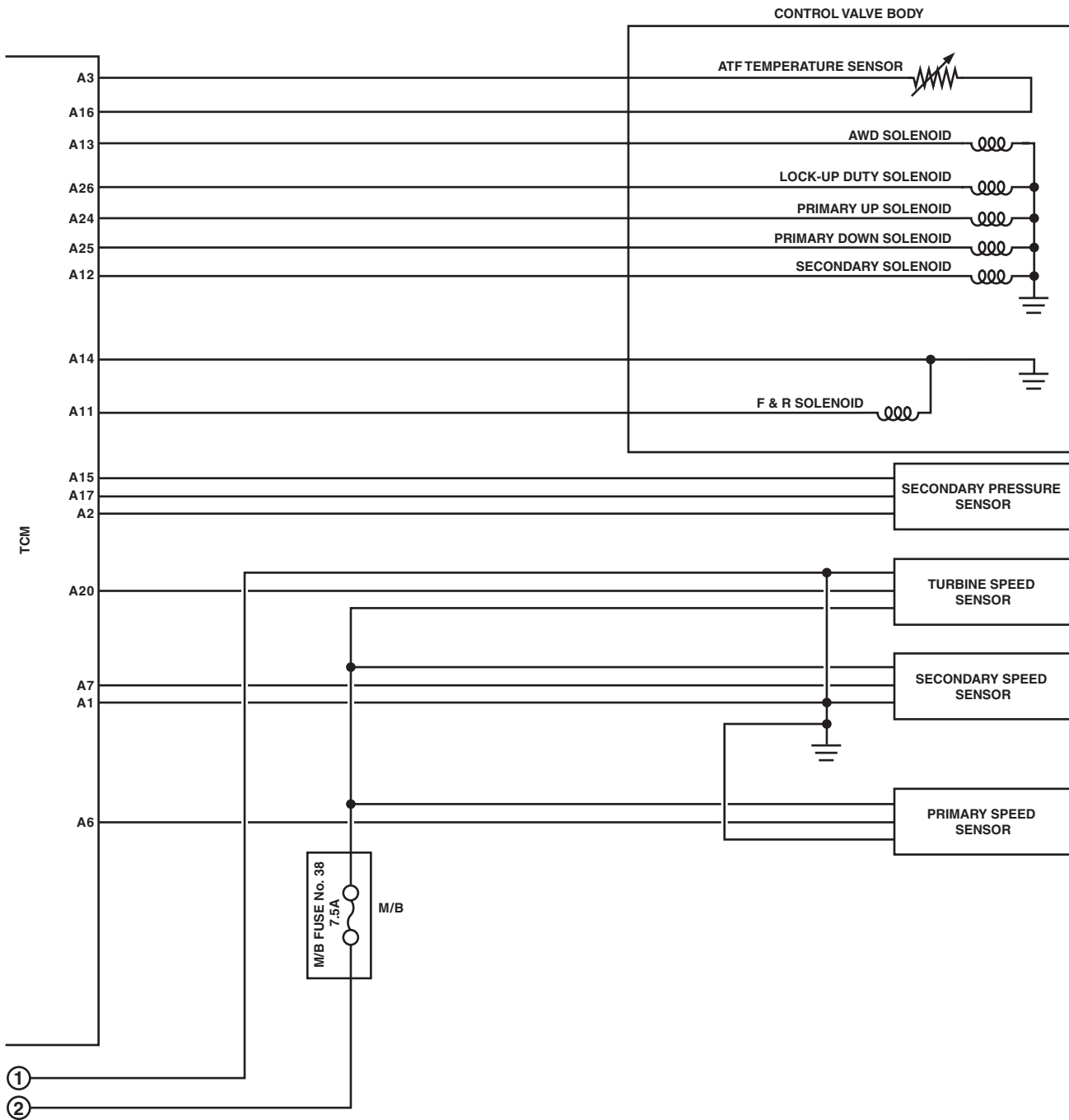
#### A: WIRING DIAGRAM



WI-36206

# CVT Control System

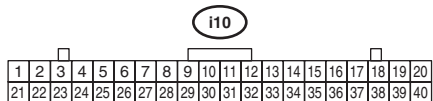
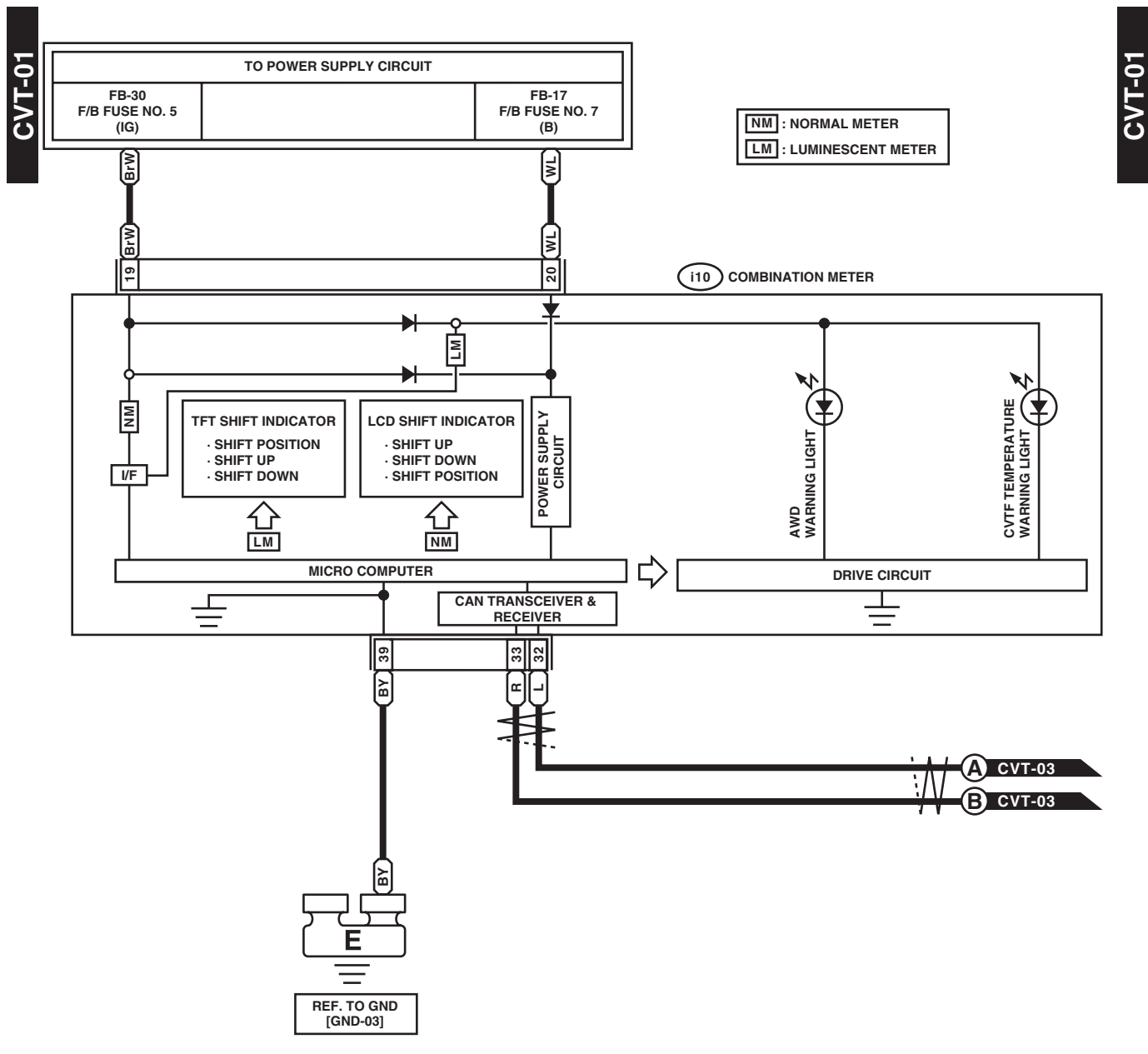
## WIRING SYSTEM



WI-36207

# CVT Control System

## WIRING SYSTEM



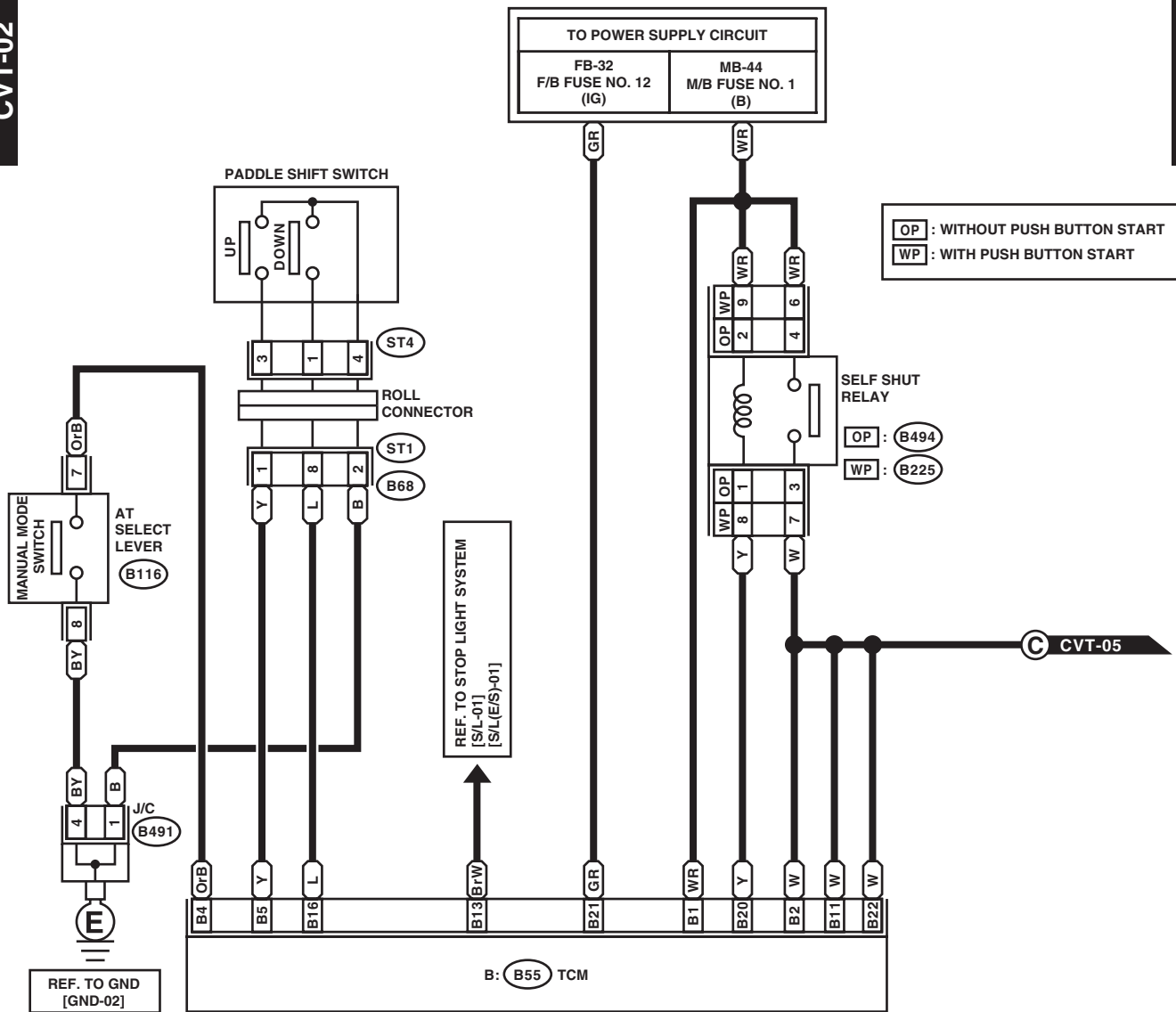
WI-36208

# CVT Control System

WIRING SYSTEM

CVT-02

CVT-02



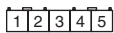
B494 (BLACK)



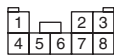
ST4



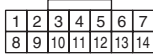
B491



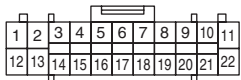
B116



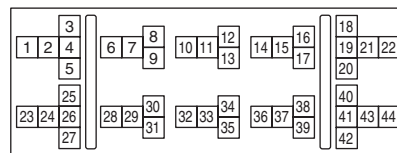
B68



B: B55 (GREEN)



B225

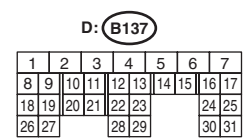
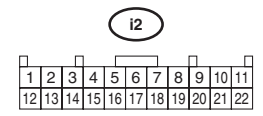
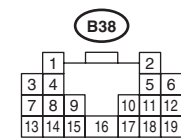
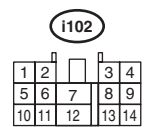
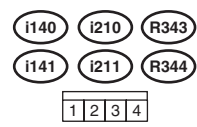
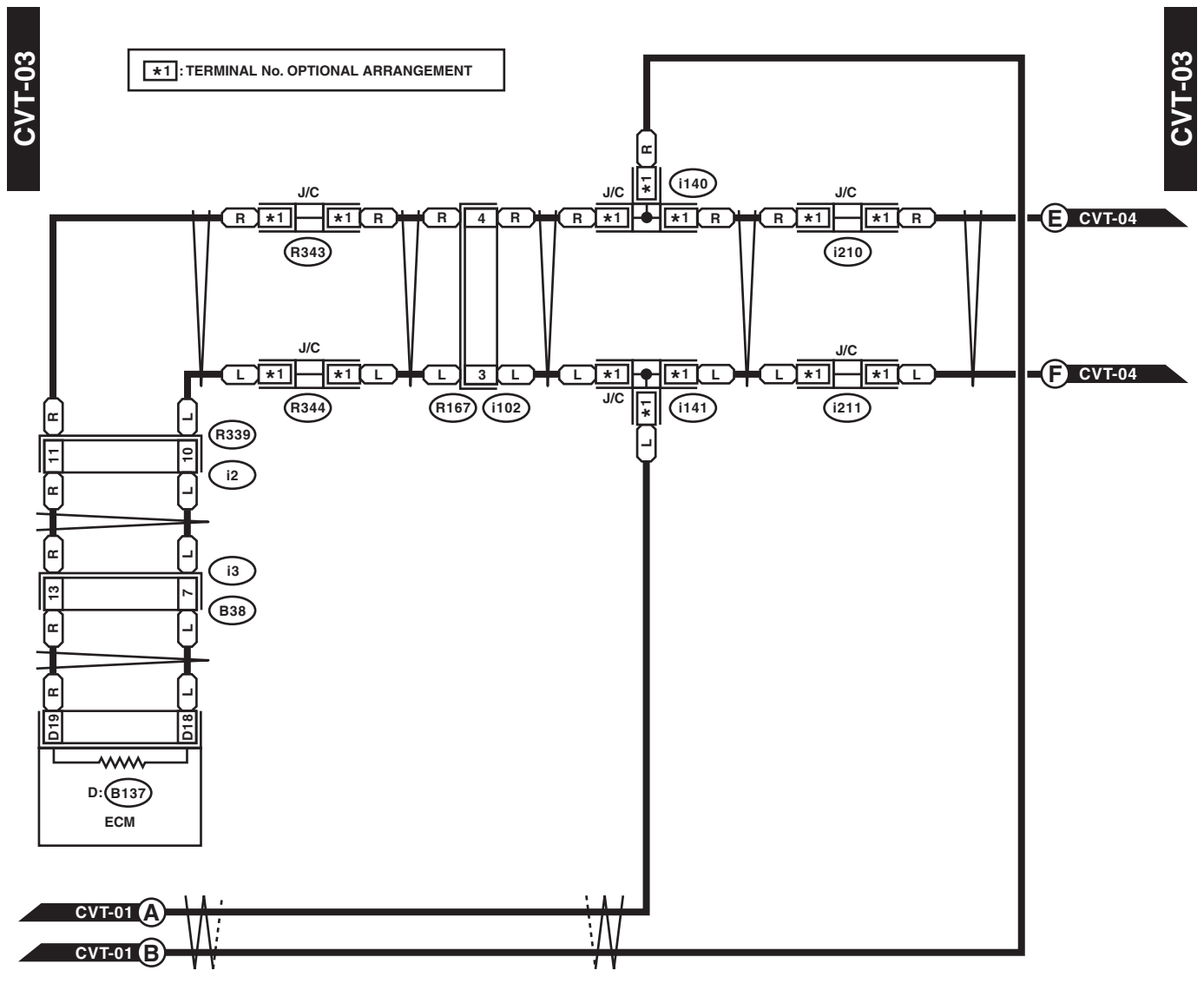


RELAY HOLDER

WI-36209

# CVT Control System

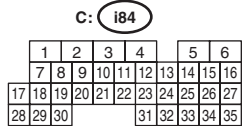
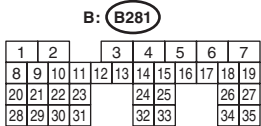
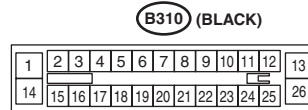
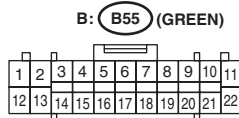
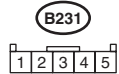
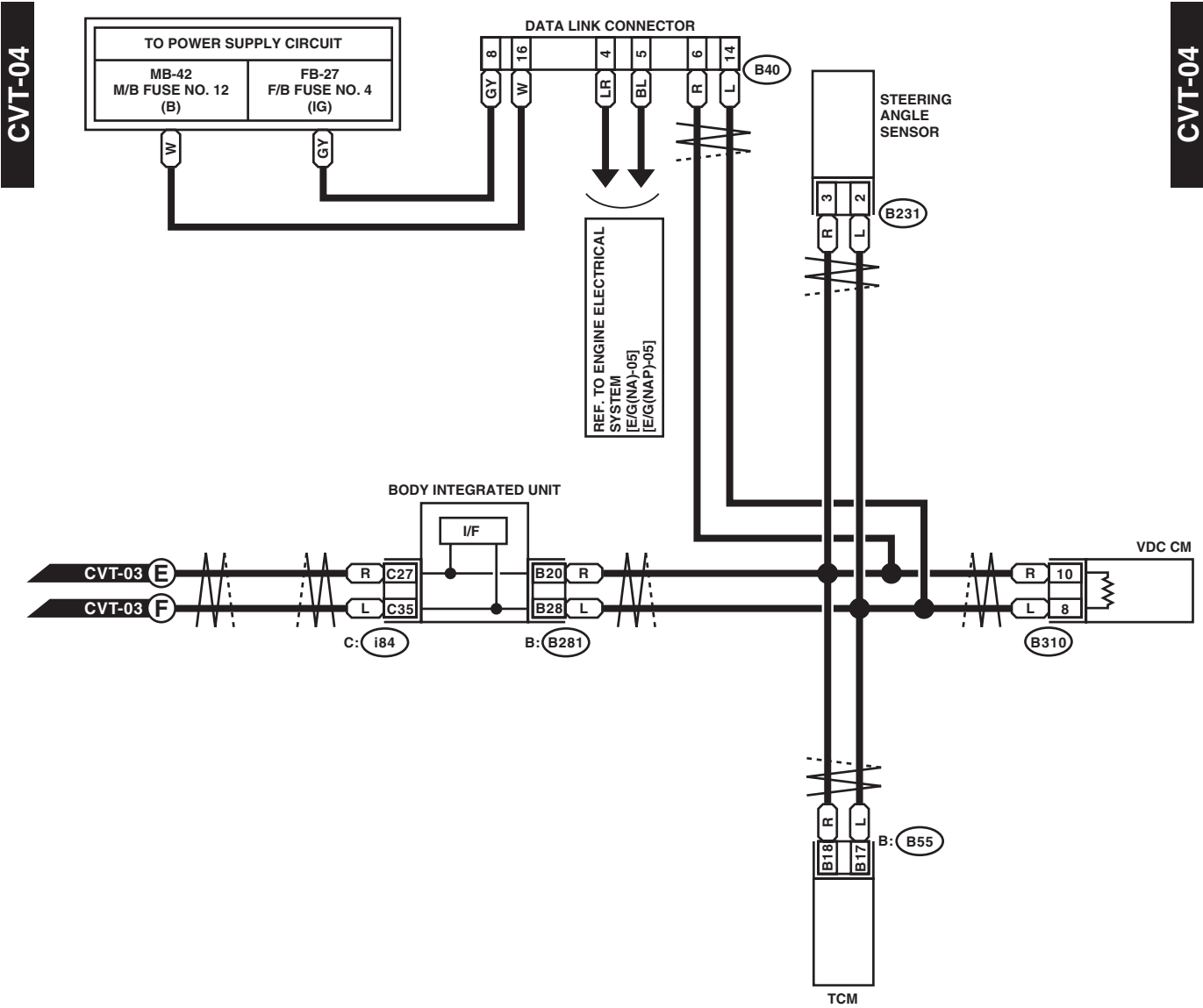
## WIRING SYSTEM



WI-36210

# CVT Control System

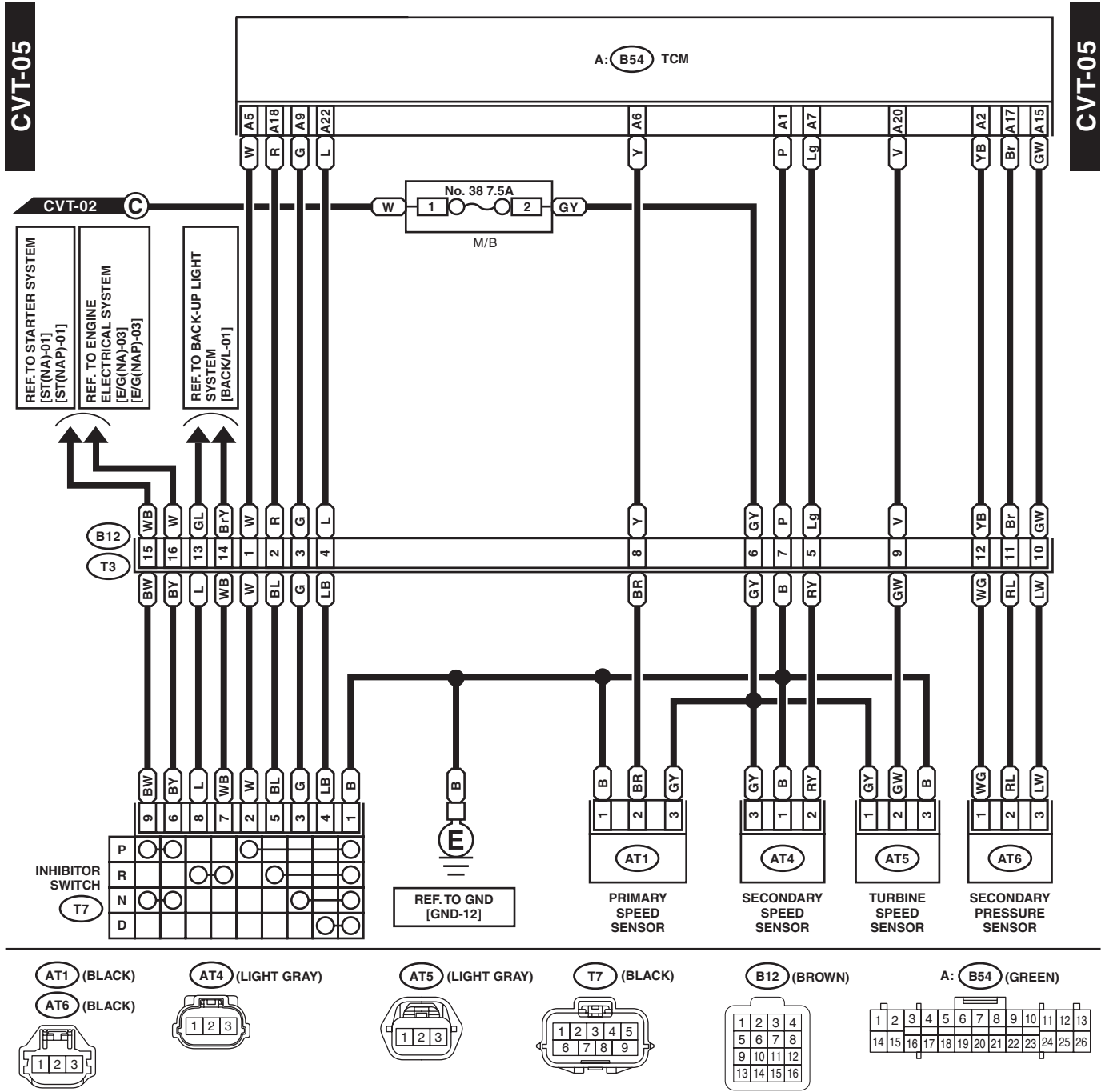
WIRING SYSTEM



WI-36211

# CVT Control System

## WIRING SYSTEM



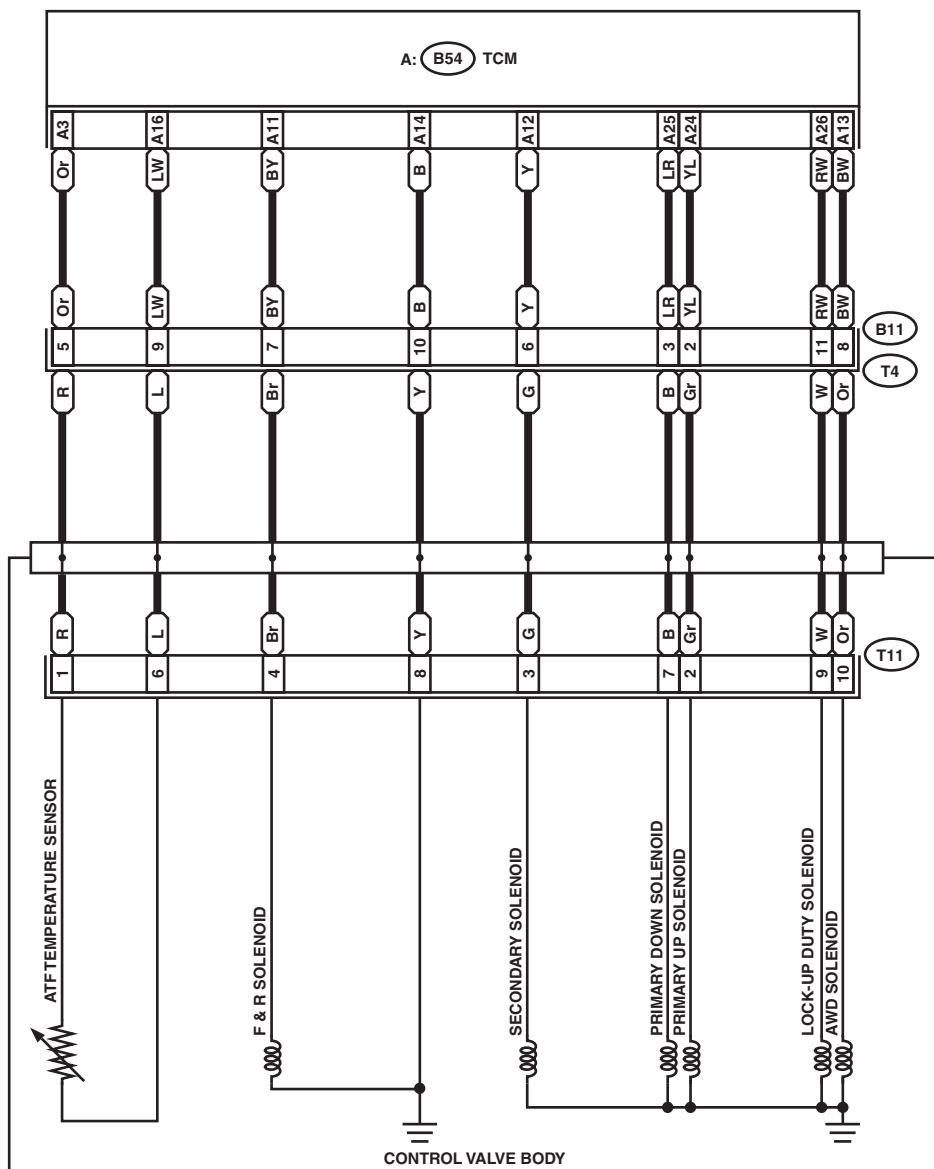
WI-36212

# CVT Control System

WIRING SYSTEM

CVT-06

CVT-06



T11

B11 (LIGHT GRAY)

A: B54 (GREEN)

1	2	3	4	5
6	7	8	9	10

1	2	3	4
5	6	7	8
9	10	11	12

1	2	3	4	5	6	7	8	9	10	11	12	13
14	15	16	17	18	19	20	21	22	23	24	25	26

WI-36213