

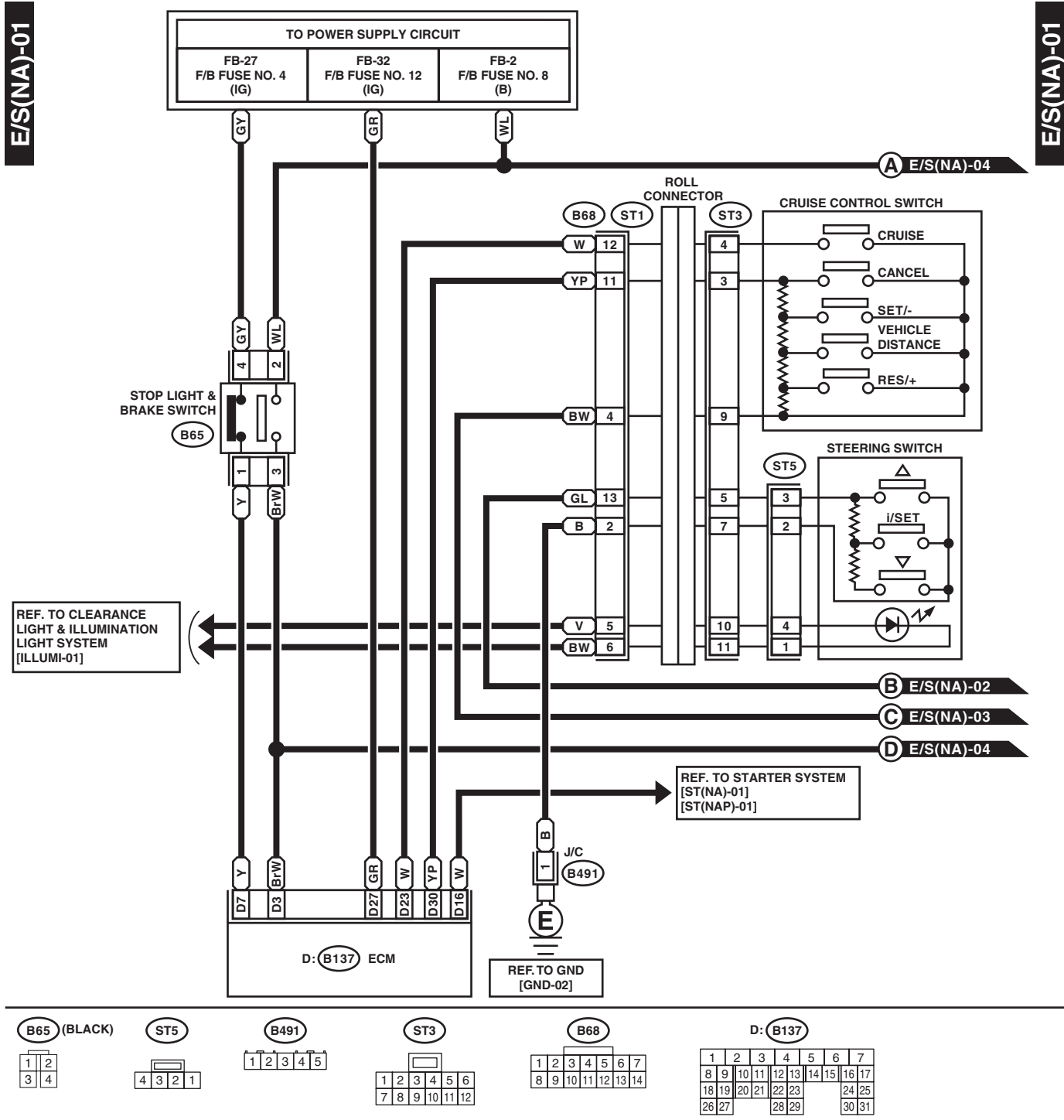
EyeSight System

WIRING SYSTEM

19. EyeSight System

A: WIRING DIAGRAM

1. 2.5 L MODEL



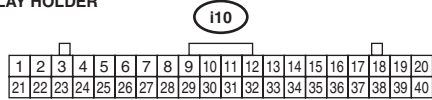
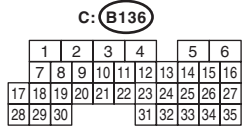
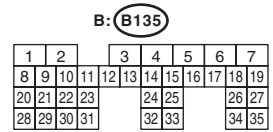
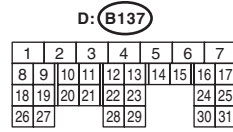
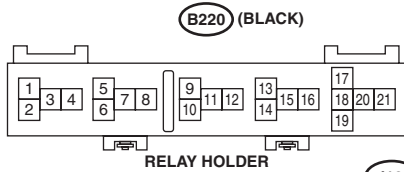
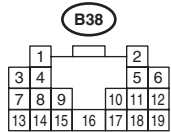
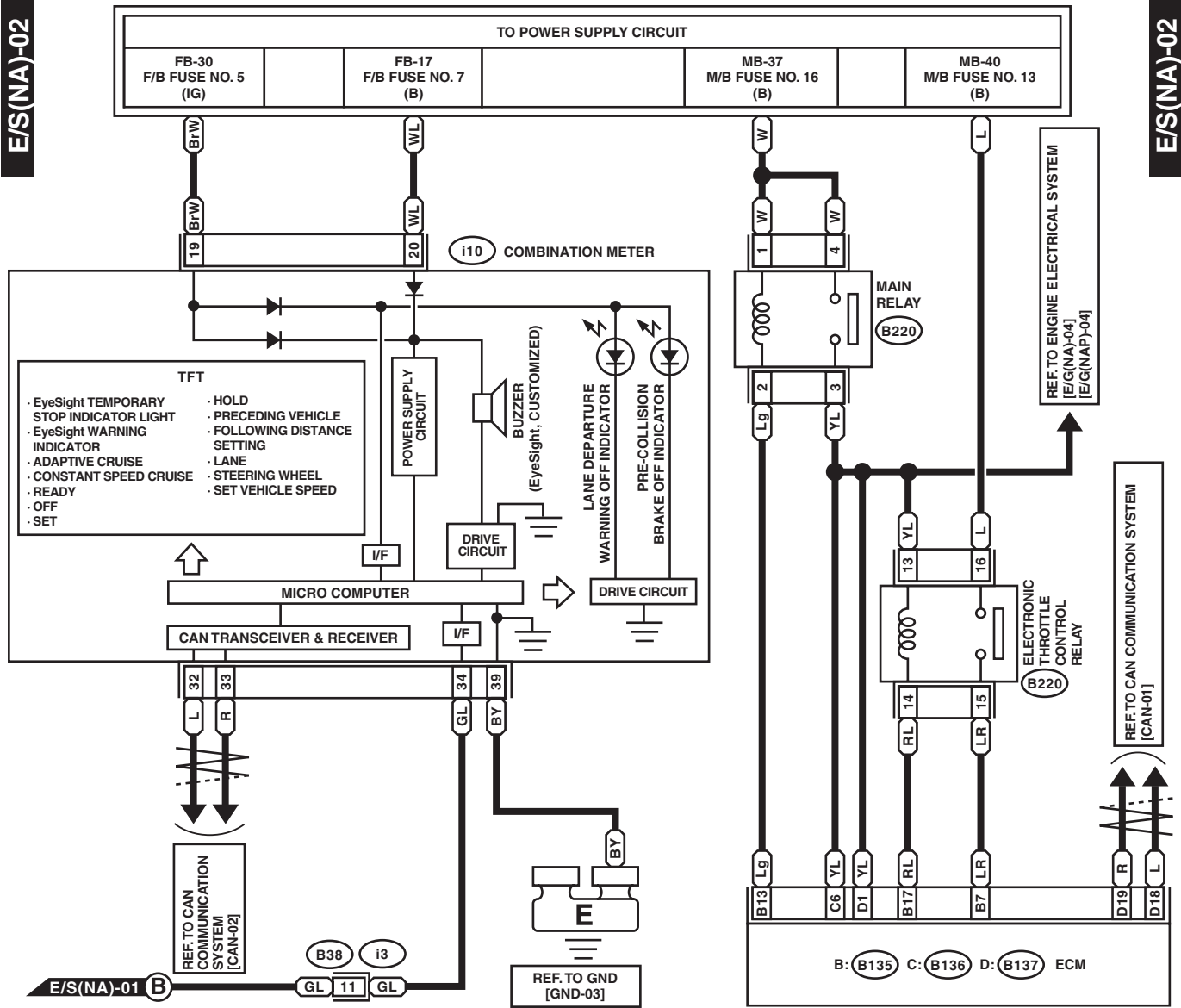
WI-36134

EyeSight System

WIRING SYSTEM

E/S(NA)-02

E/S(NA)-02



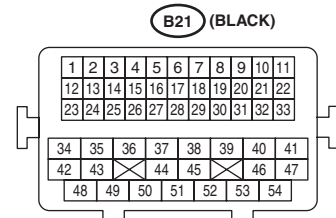
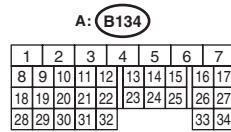
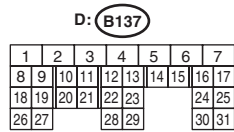
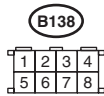
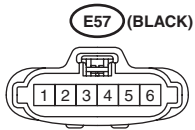
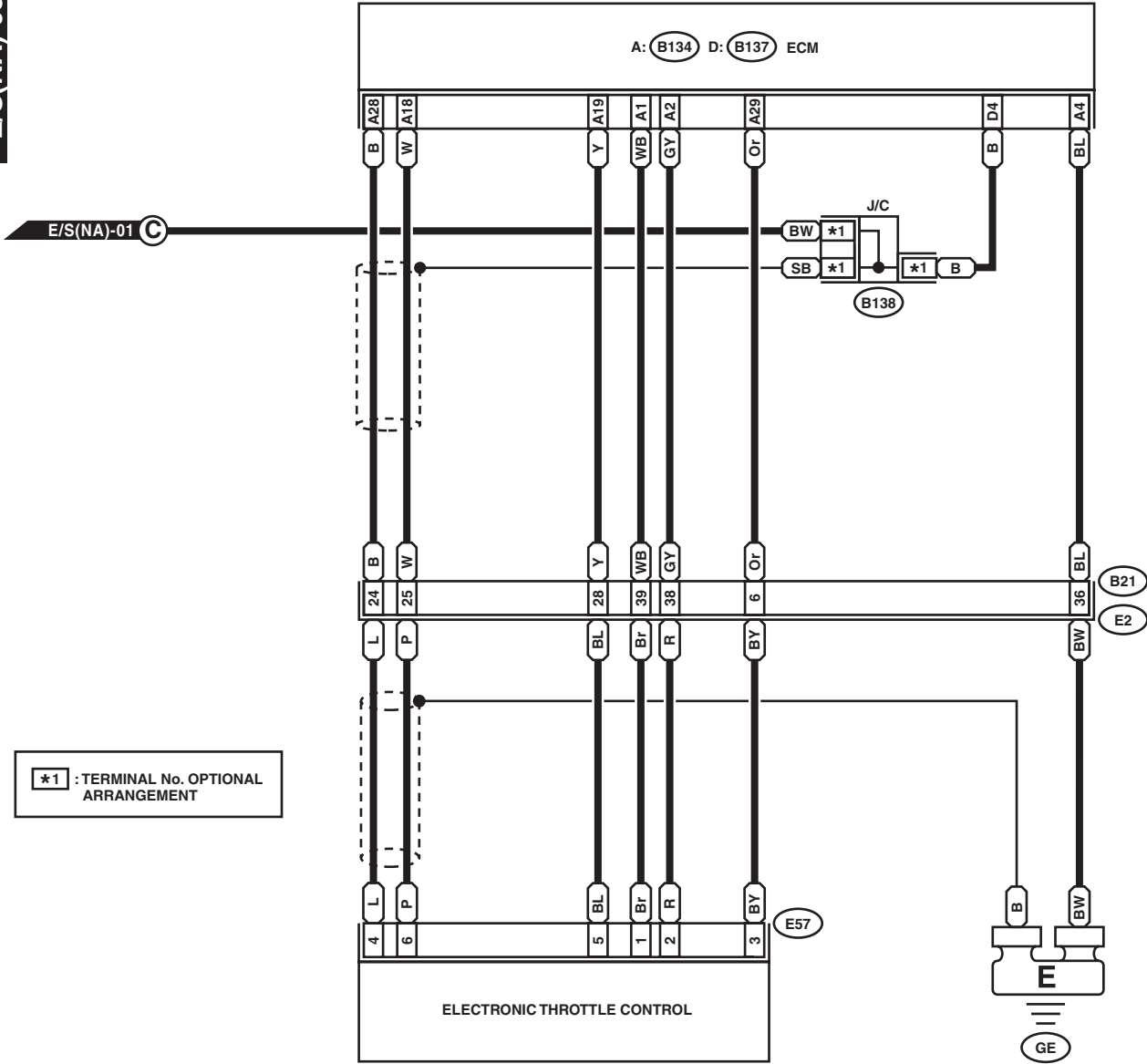
WI-36135

EyeSight System

WIRING SYSTEM

E/S(NA)-03

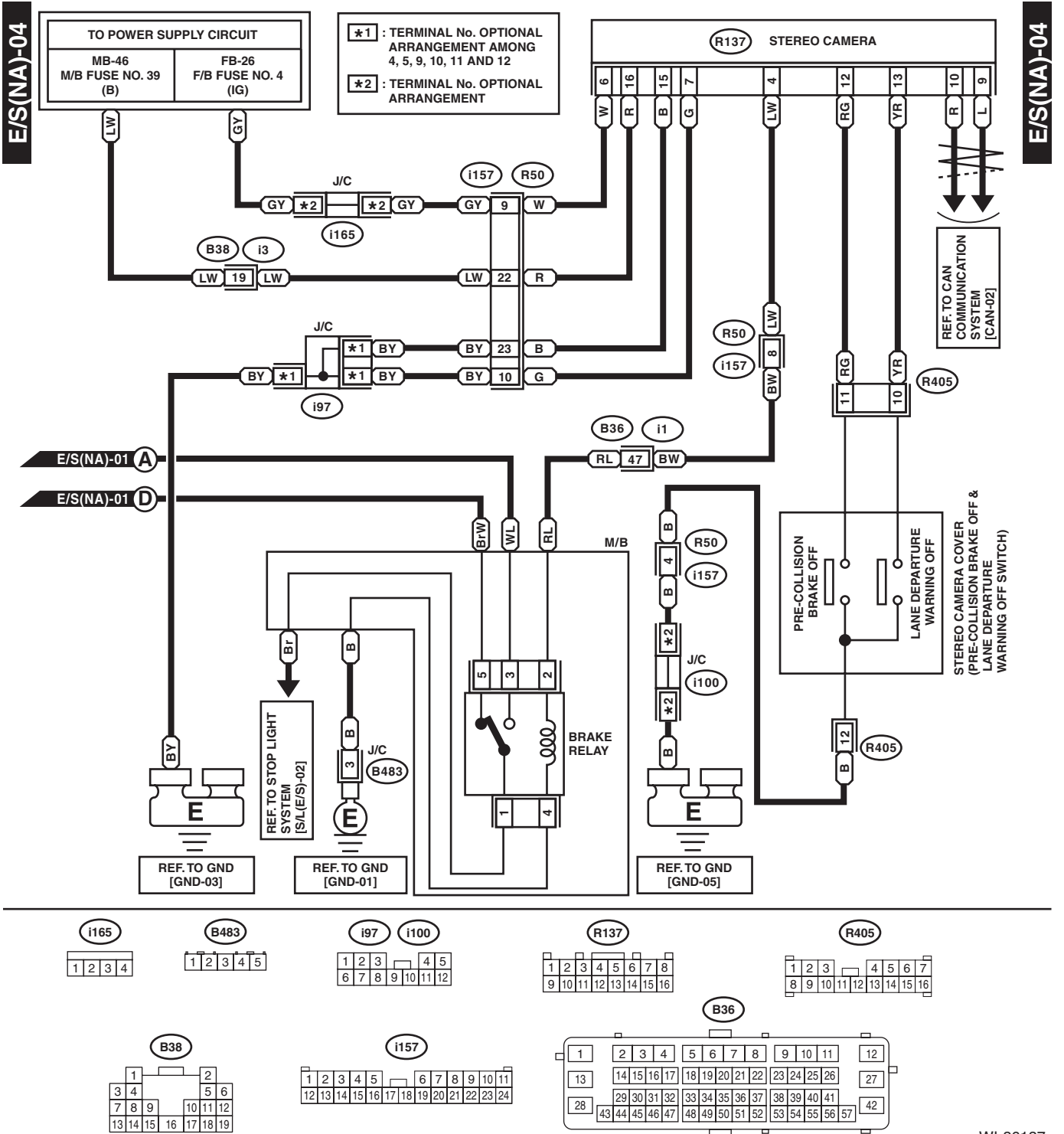
E/S(NA)-03



WI-36136

EyeSight System

WIRING SYSTEM

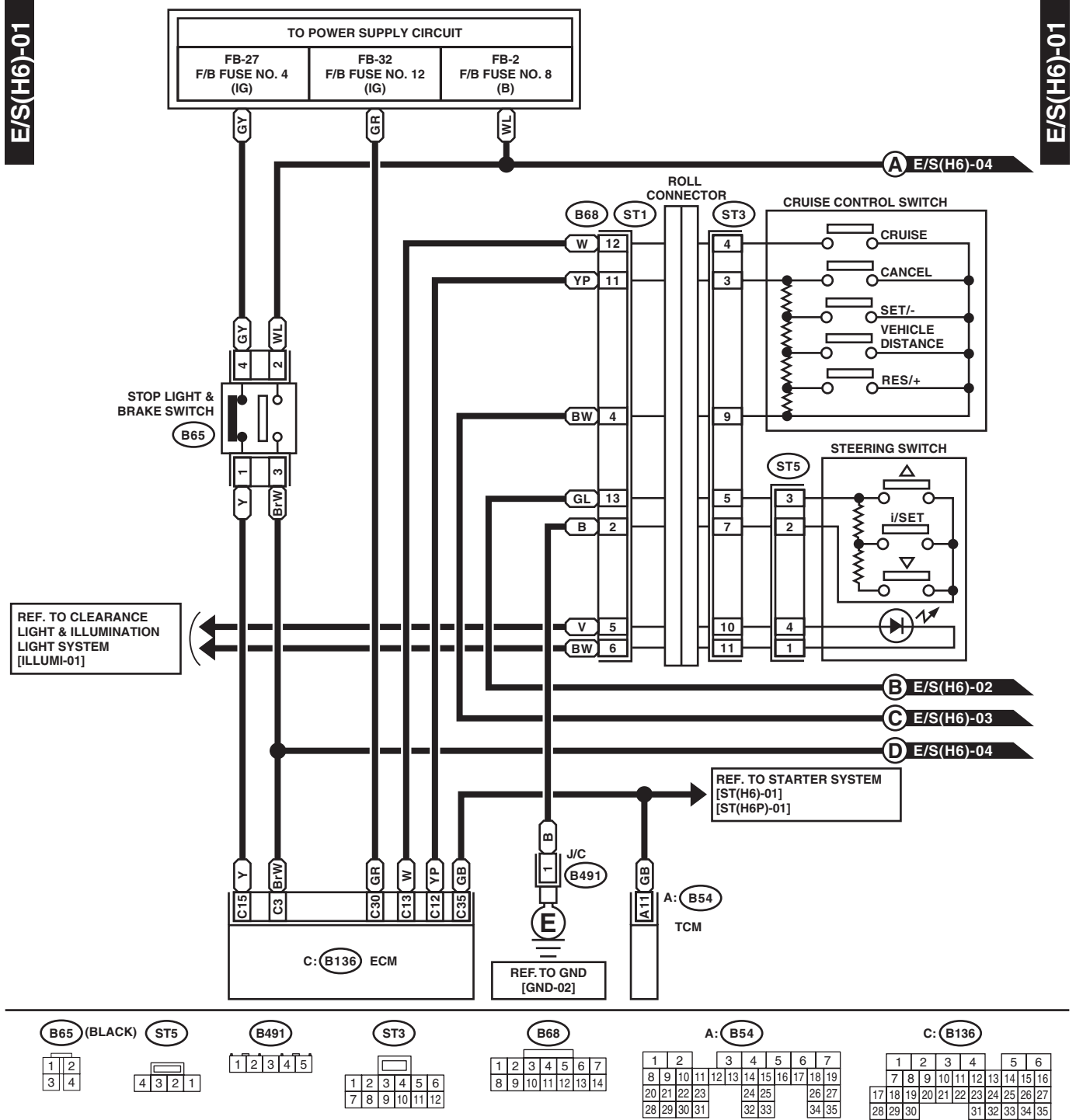


WI-36137

EyeSight System

WIRING SYSTEM

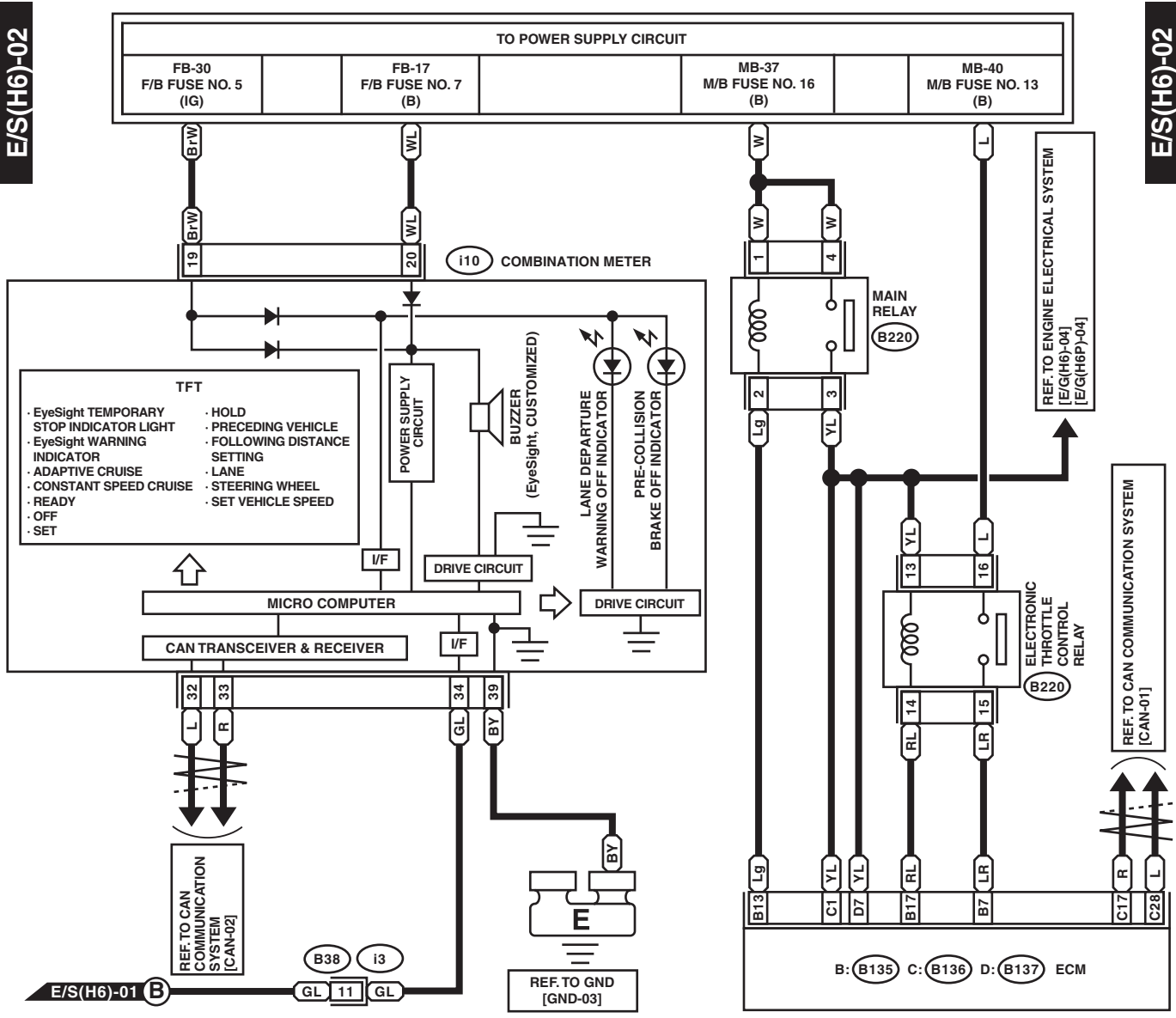
2. 3.6 L MODEL



WI-36138

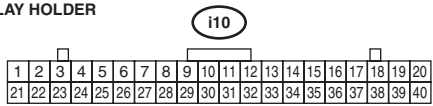
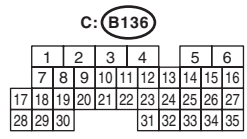
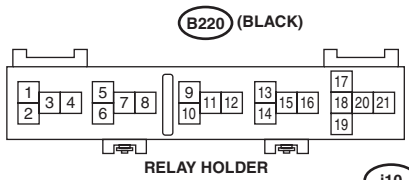
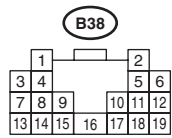
EyeSight System

WIRING SYSTEM



E/S(H6)-02

E/S(H6)-02



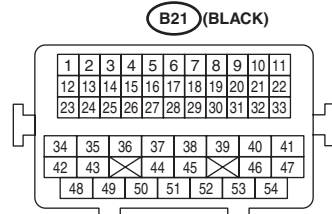
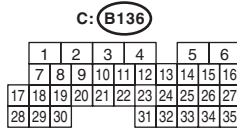
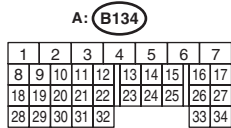
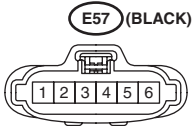
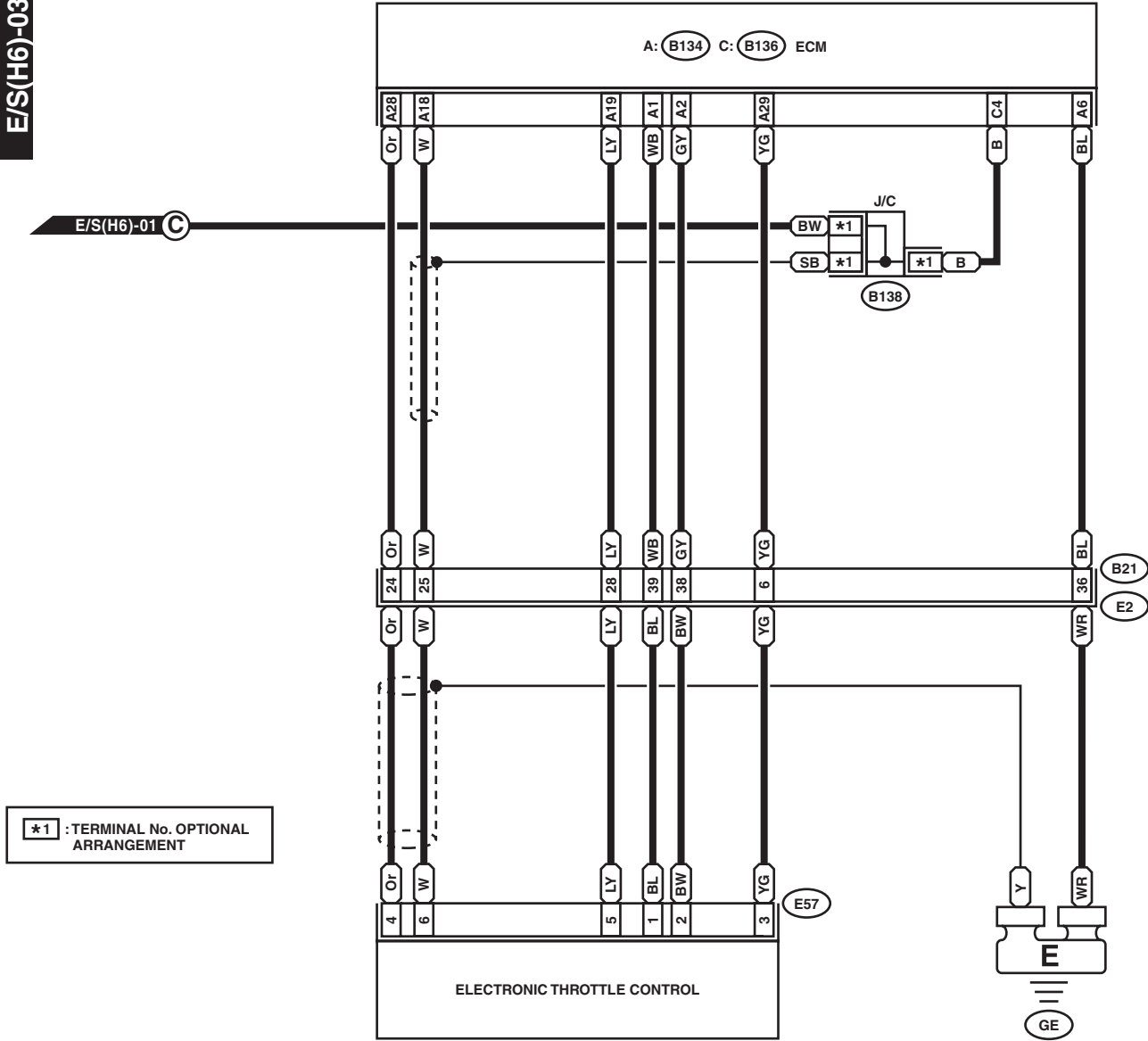
WI-36139

EyeSight System

WIRING SYSTEM

E/S(H6)-03

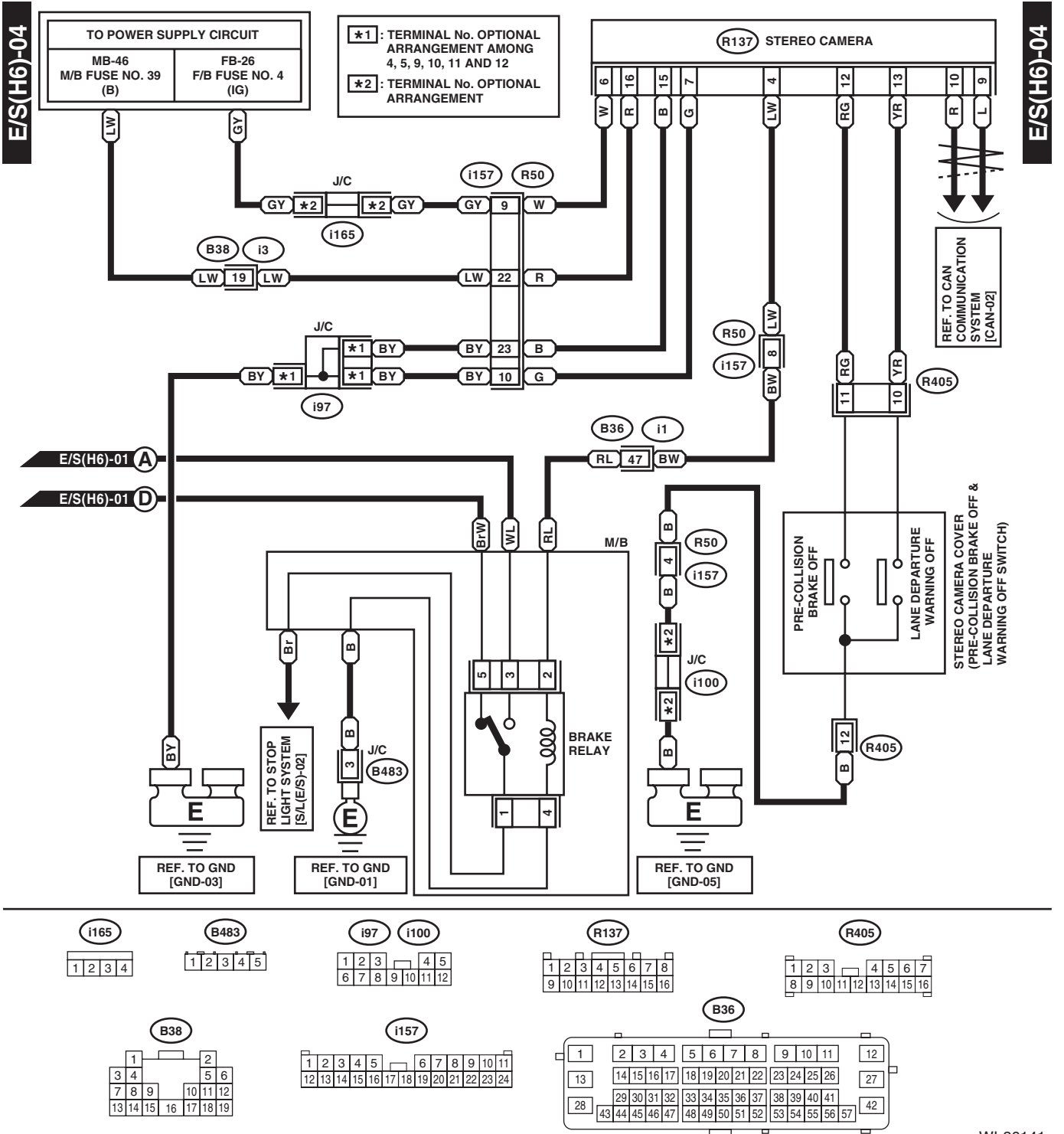
E/S(H6)-03



WI-36140

EyeSight System

WIRING SYSTEM



WI-36141