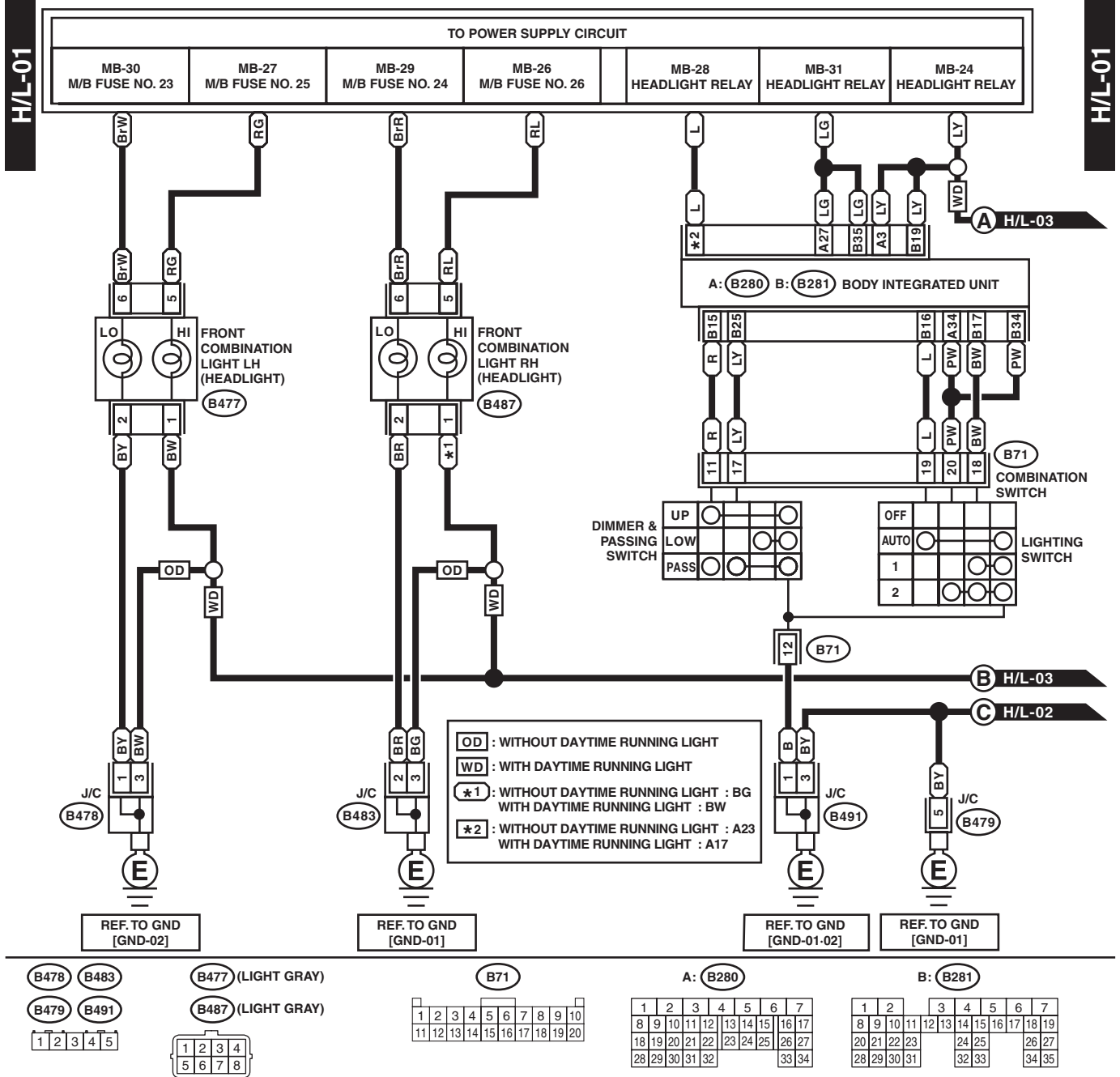


# Headlight System

WIRING SYSTEM

## 24. Headlight System

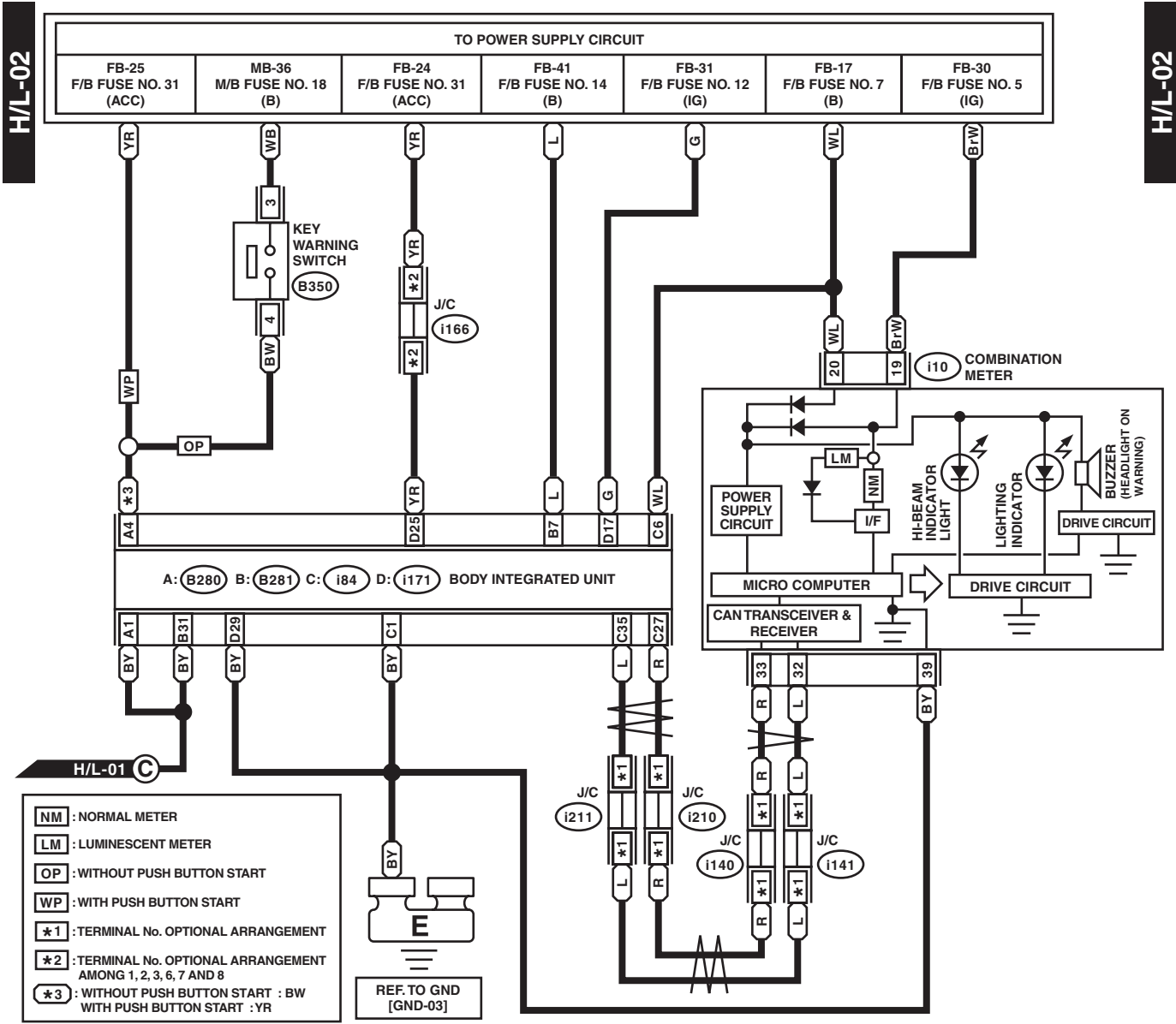
### A: WIRING DIAGRAM



WI-36276

# Headlight System

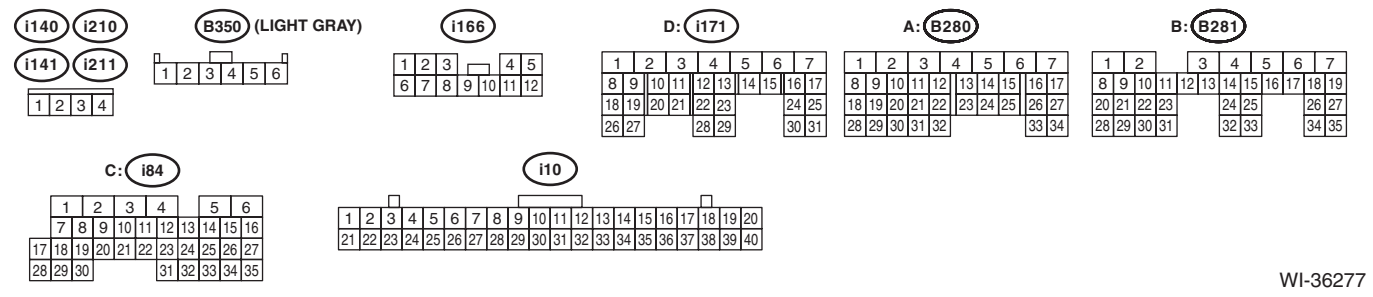
WIRING SYSTEM



**H/L-01**

- NM : NORMAL METER
- LM : LUMINESCENT METER
- OP : WITHOUT PUSH BUTTON START
- WP : WITH PUSH BUTTON START
- \*1 : TERMINAL No. OPTIONAL ARRANGEMENT
- \*2 : TERMINAL No. OPTIONAL ARRANGEMENT AMONG 1, 2, 3, 6, 7 AND 8
- \*3 : WITHOUT PUSH BUTTON START : BW WITH PUSH BUTTON START : YR

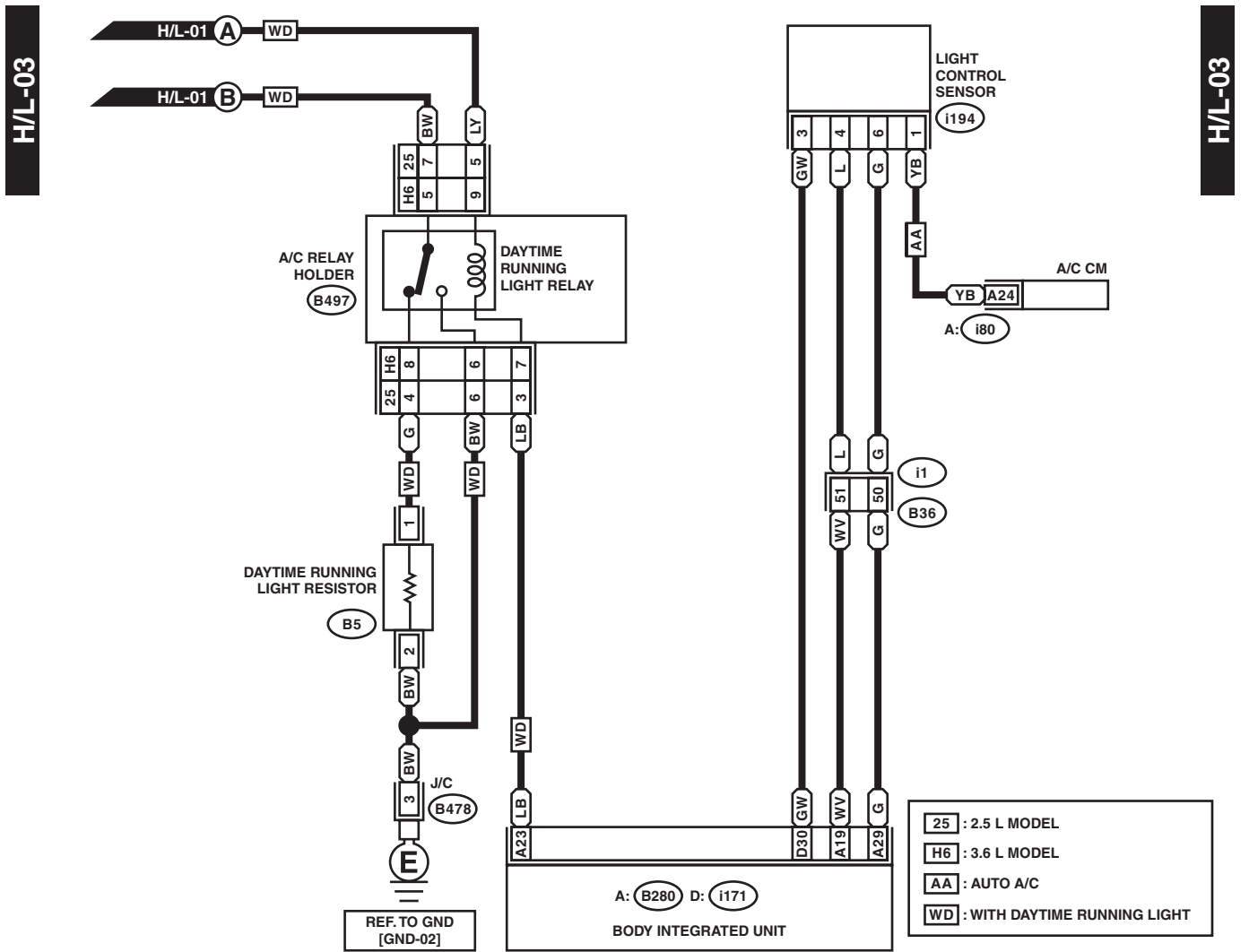
REF TO GND [GND-03]



WI-36277

# Headlight System

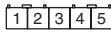
## WIRING SYSTEM



B5 (LIGHT GRAY)



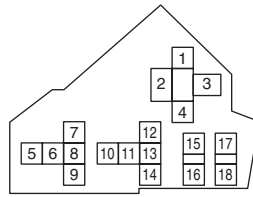
B478



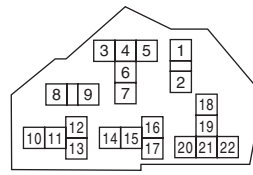
i194



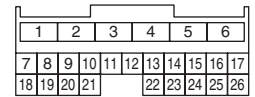
H6 : B497 (BLACK)



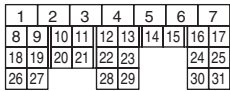
25 : B497 (BLACK)



A: i80

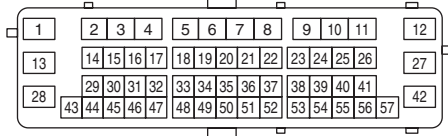


D: i171



B36

A/C RELAY HOLDER



A: B280



WI-36278