

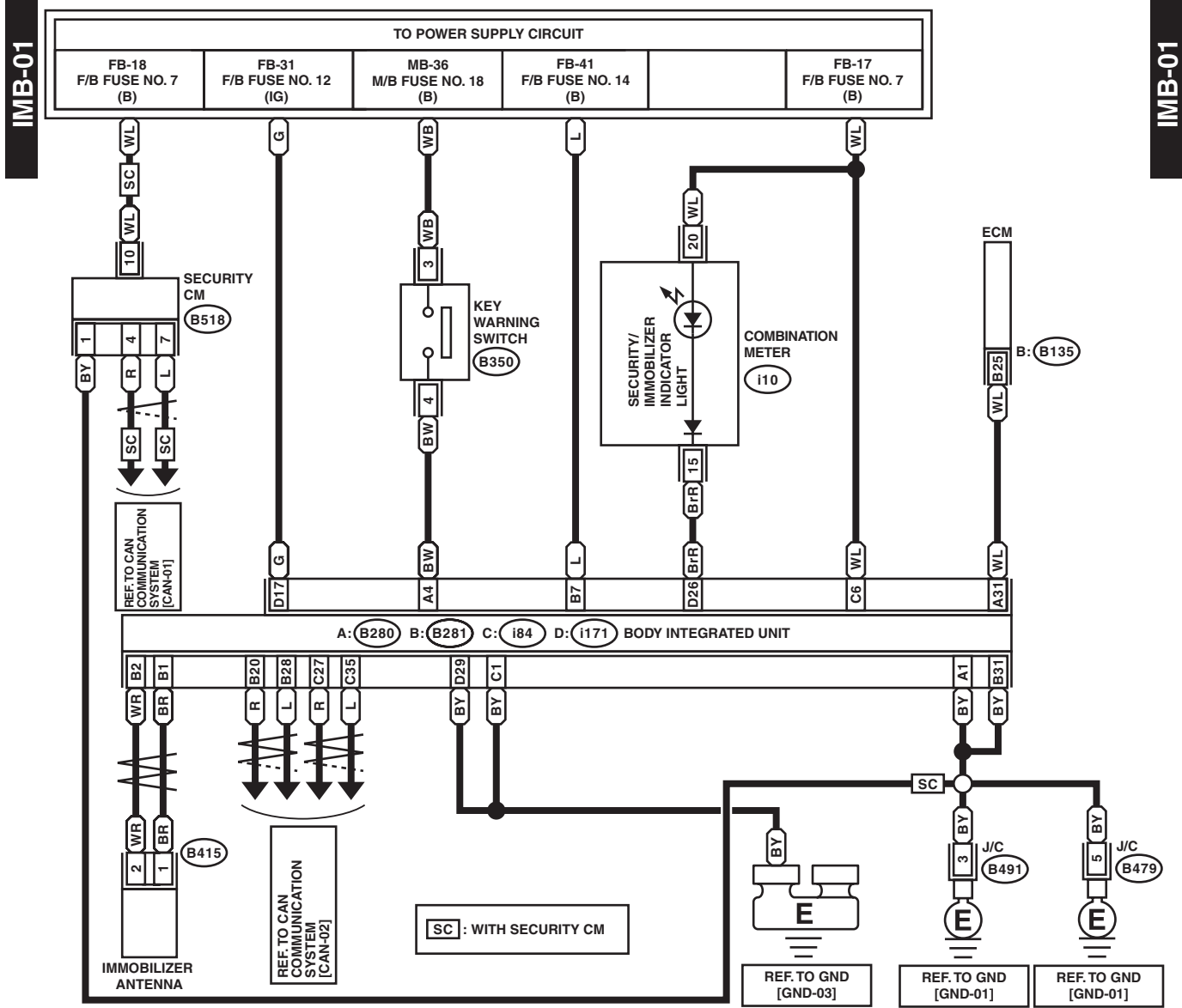
Immobilizer System

WIRING SYSTEM

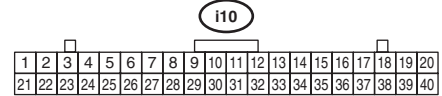
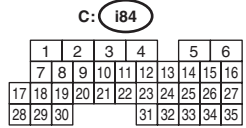
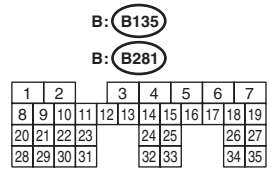
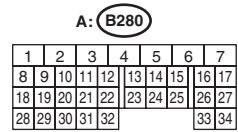
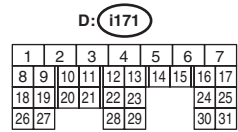
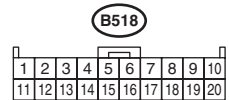
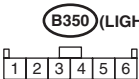
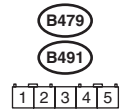
26. Immobilizer System

A: WIRING DIAGRAM

1. WITHOUT PUSH BUTTON START

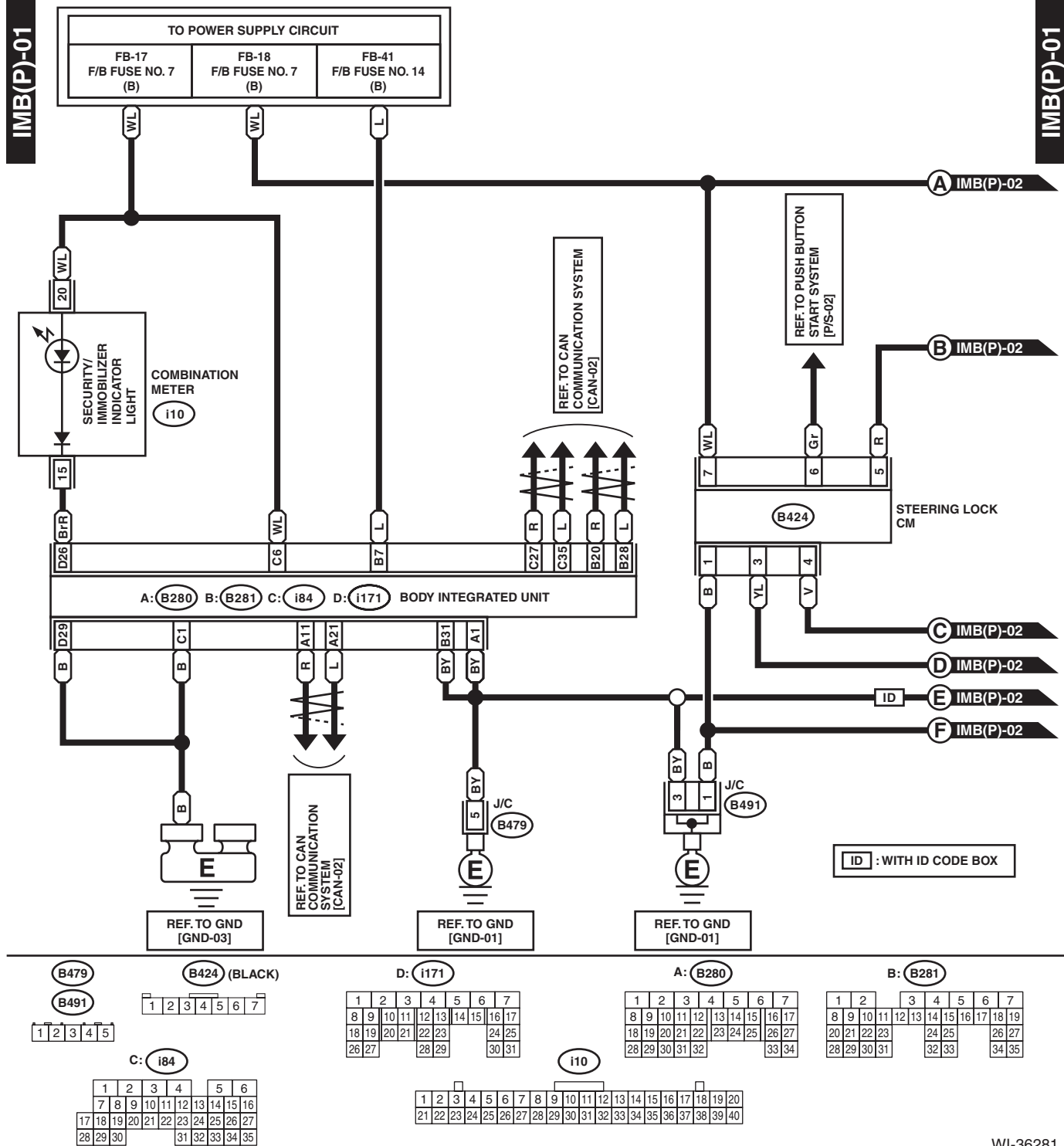


IMB-01



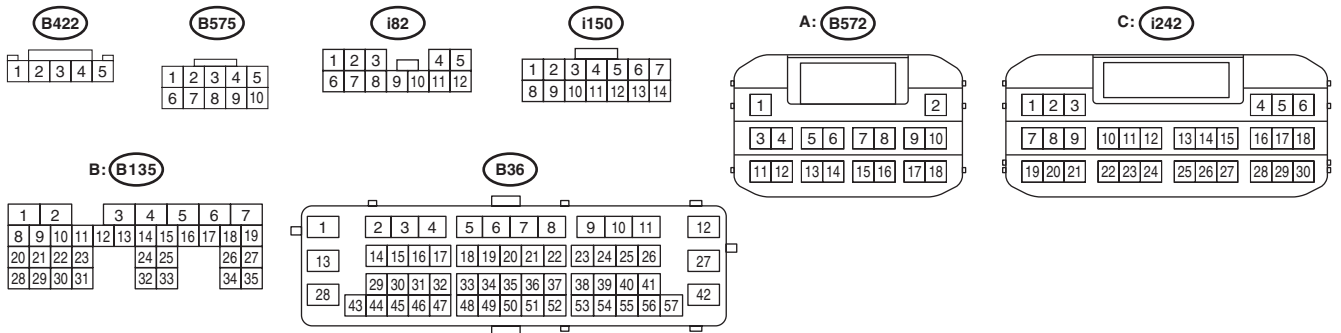
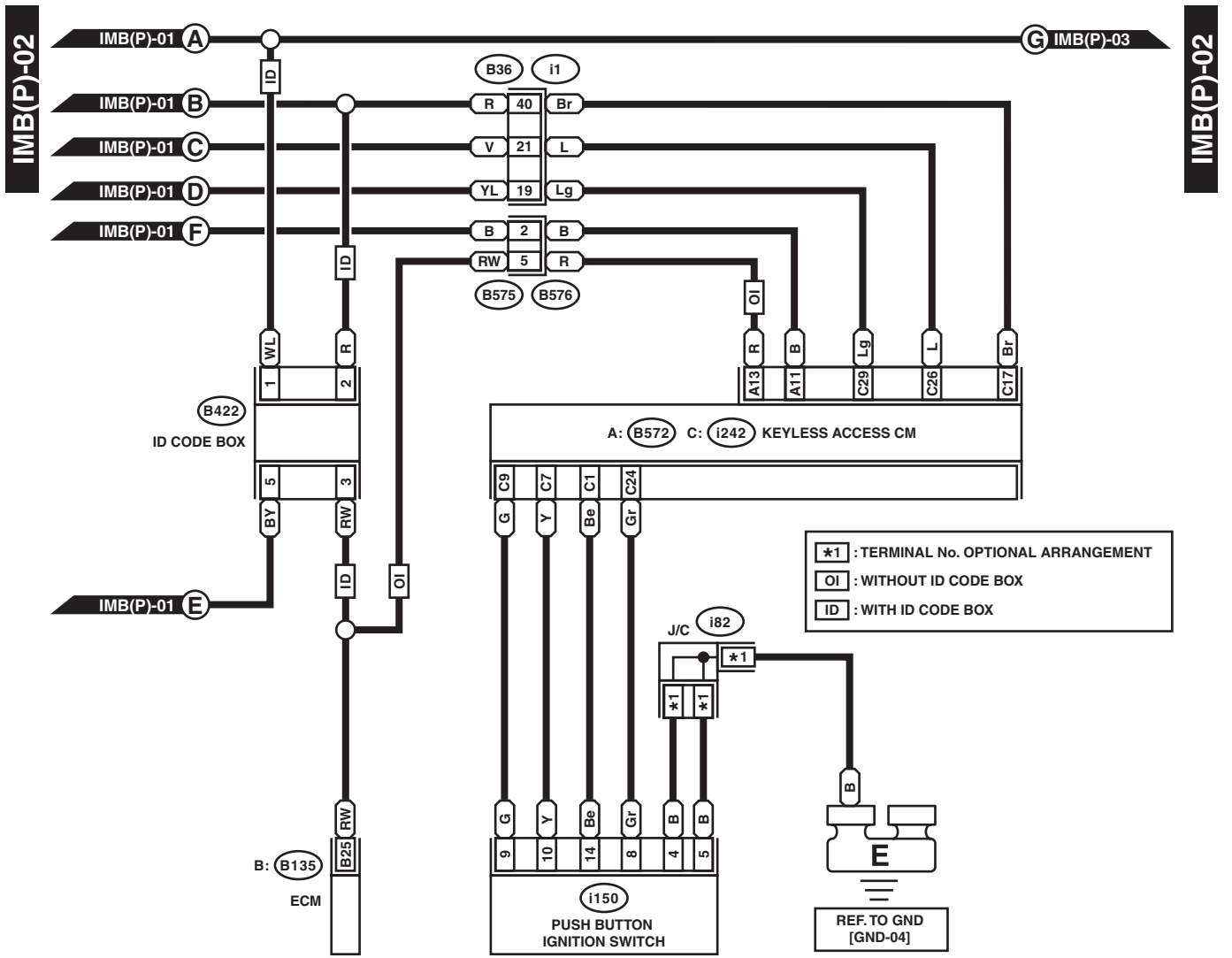
WI-36280

2. WITH PUSH BUTTON START



Immobilizer System

WIRING SYSTEM



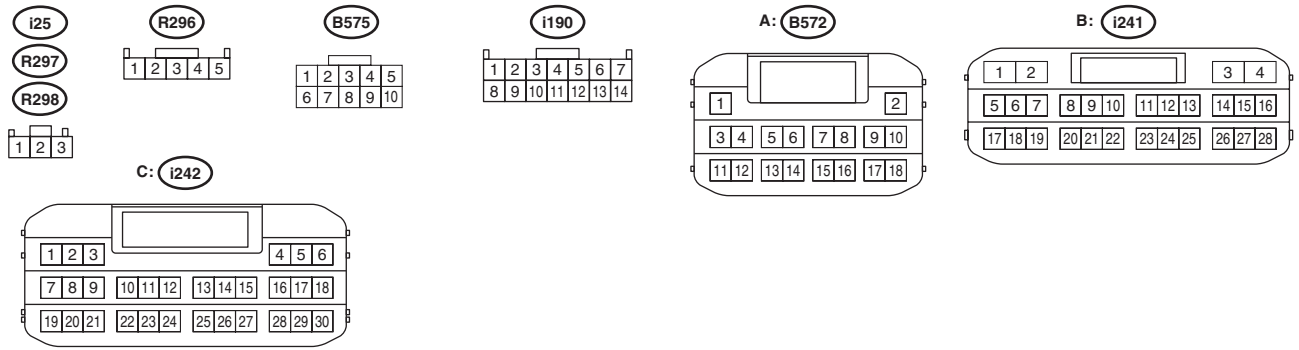
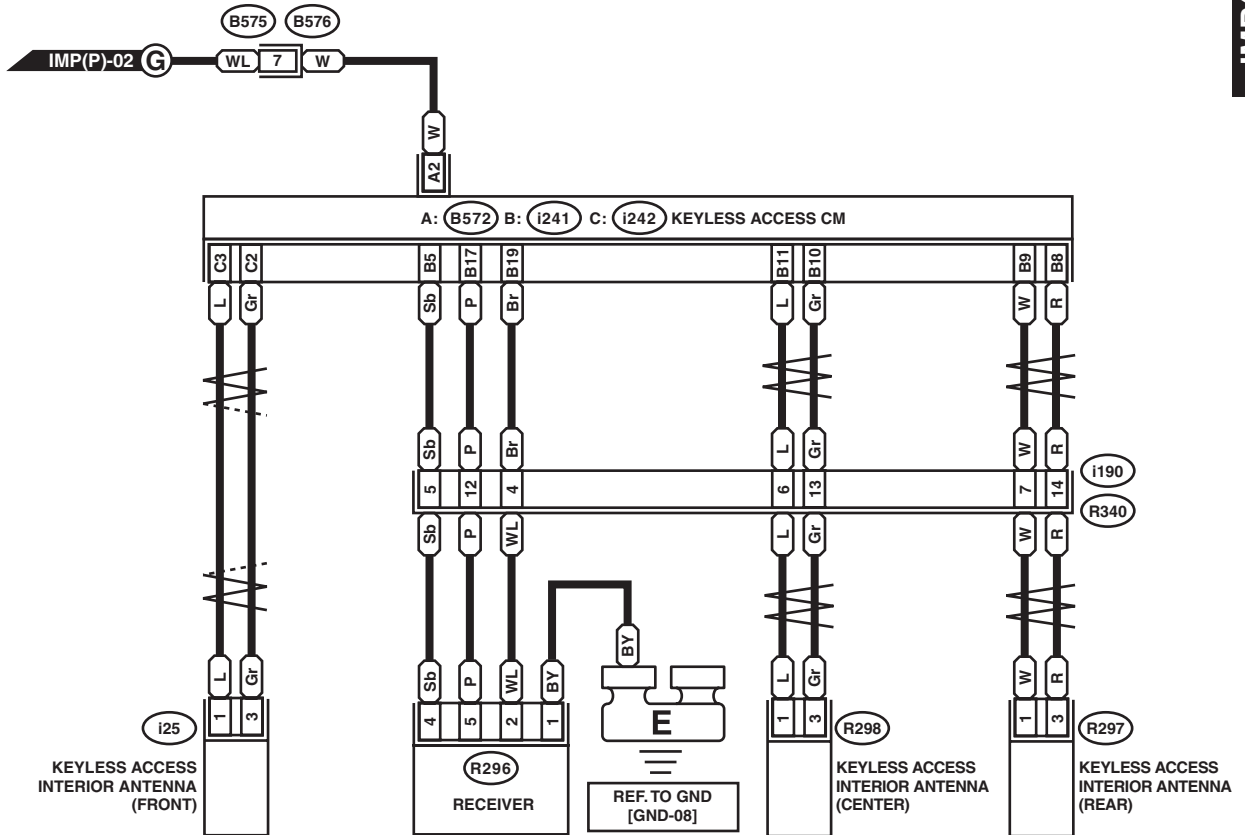
WI-36282

Immobilizer System

WIRING SYSTEM

IMB(P)-03

IMB(P)-03



WI-36283