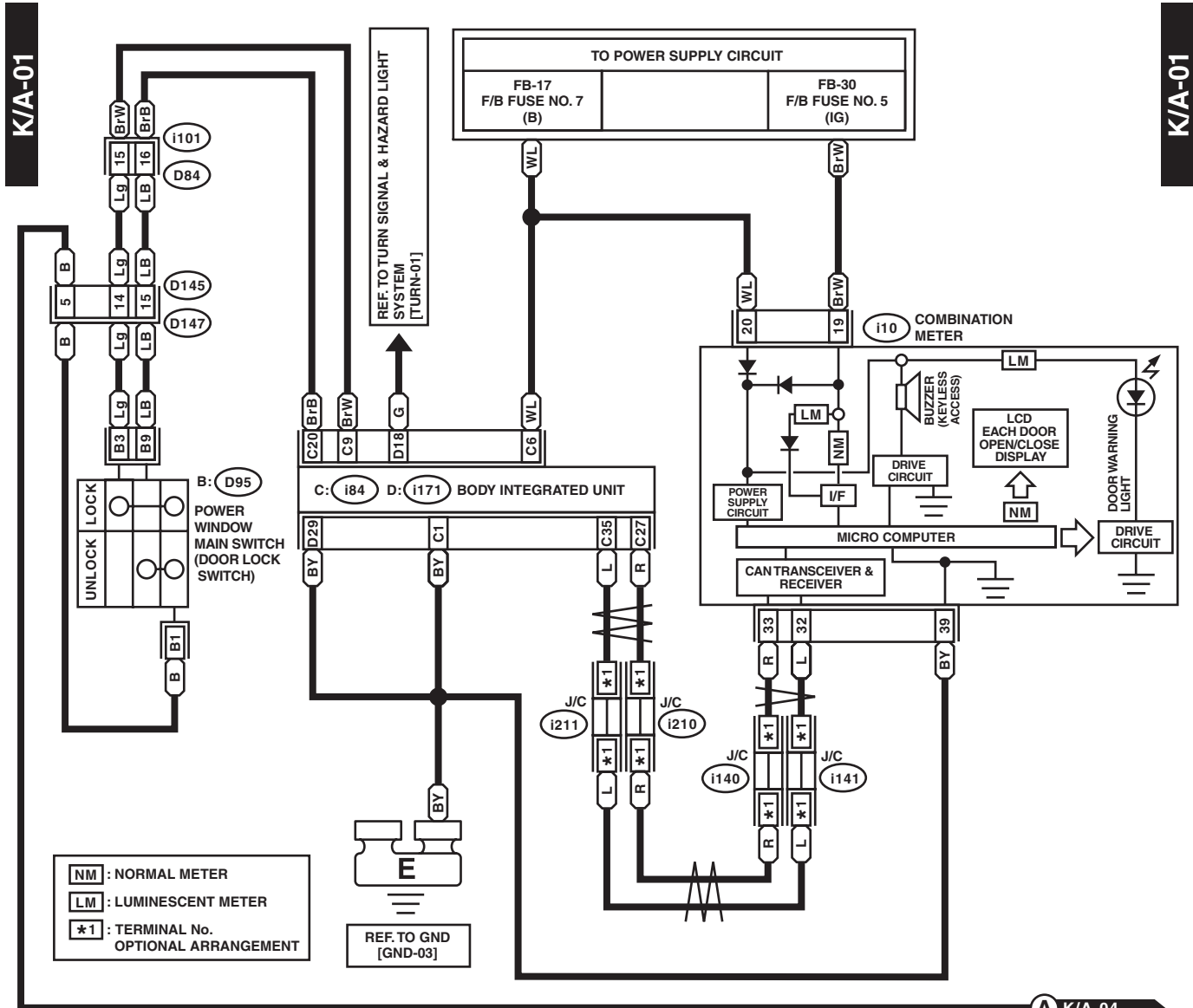


Keyless Access System

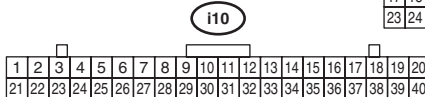
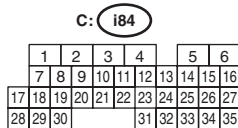
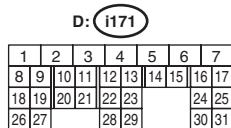
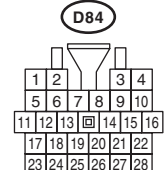
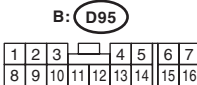
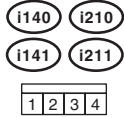
WIRING SYSTEM

28. Keyless Access System

A: WIRING DIAGRAM



A K/A-04



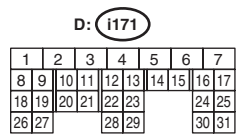
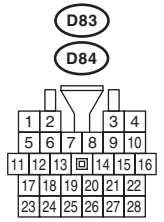
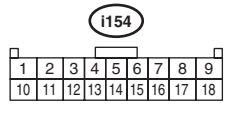
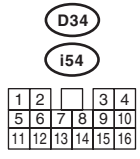
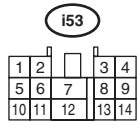
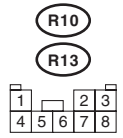
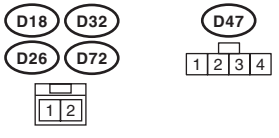
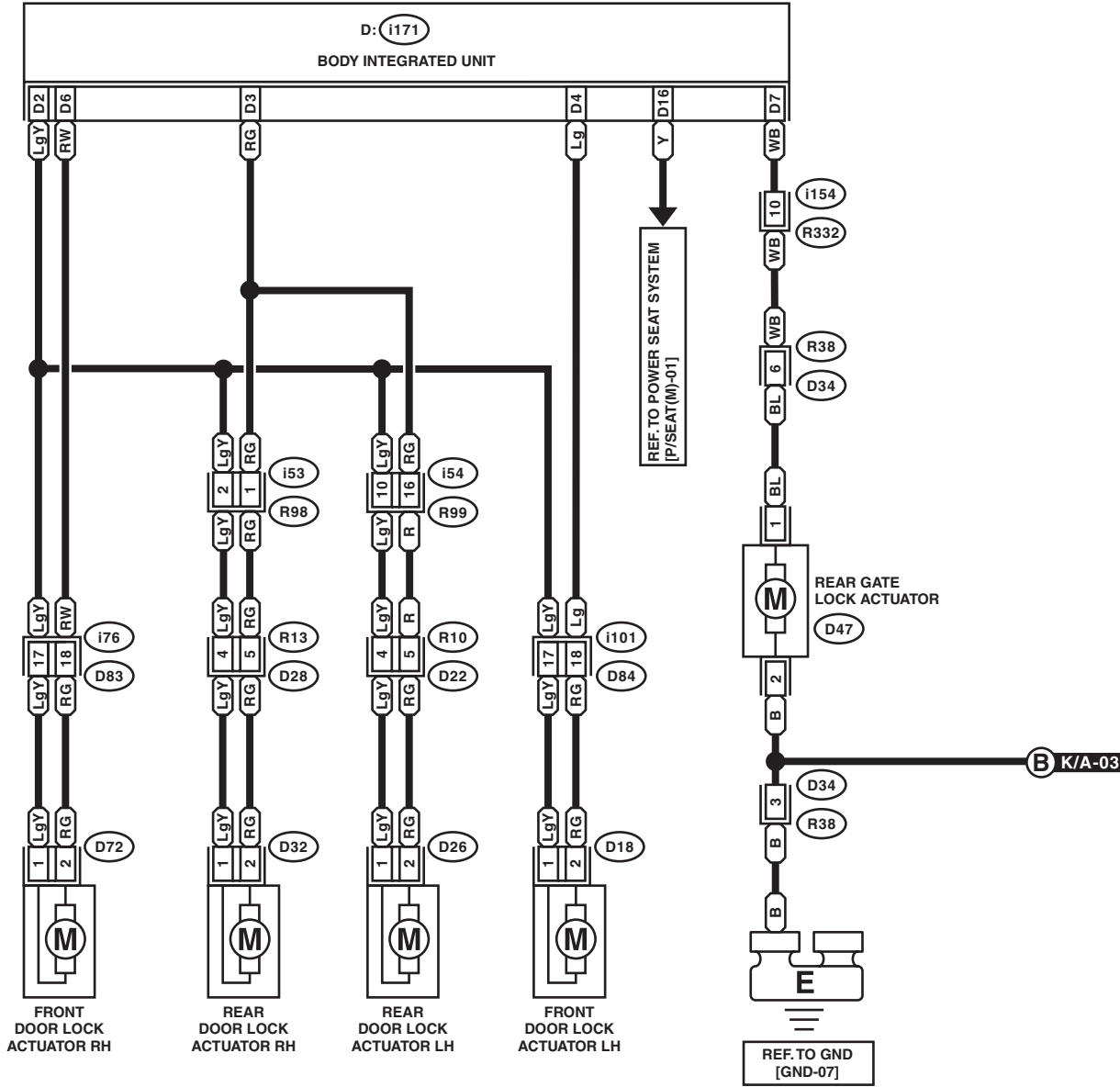
WI-36288

Keyless Access System

WIRING SYSTEM

K/A-02

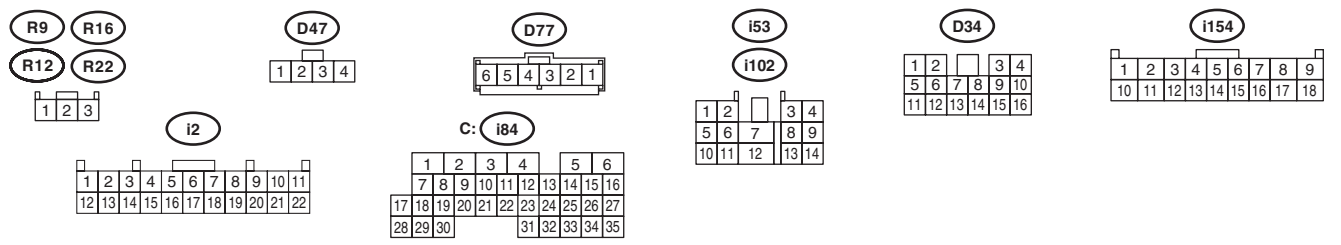
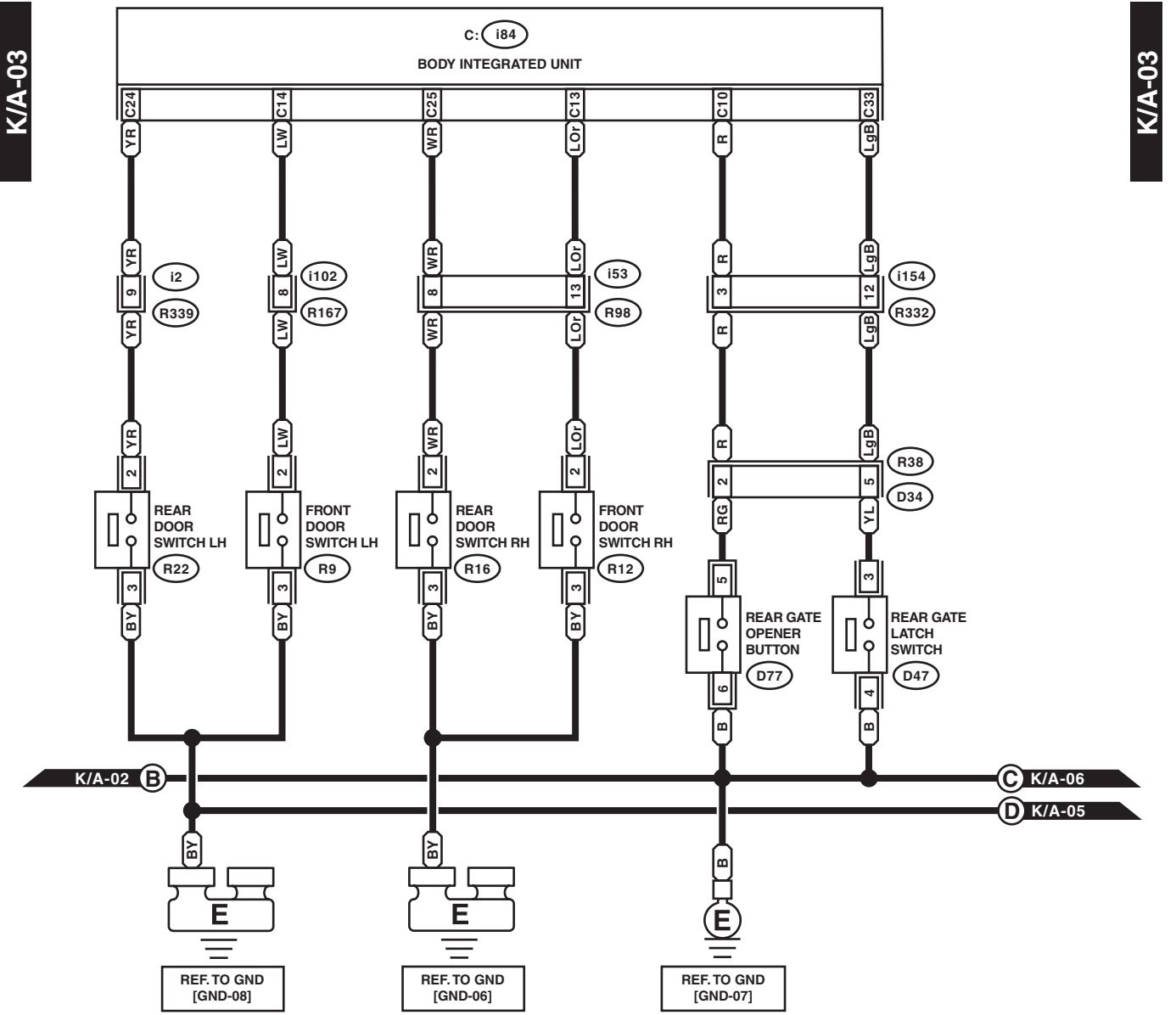
K/A-02



WI-36289

Keyless Access System

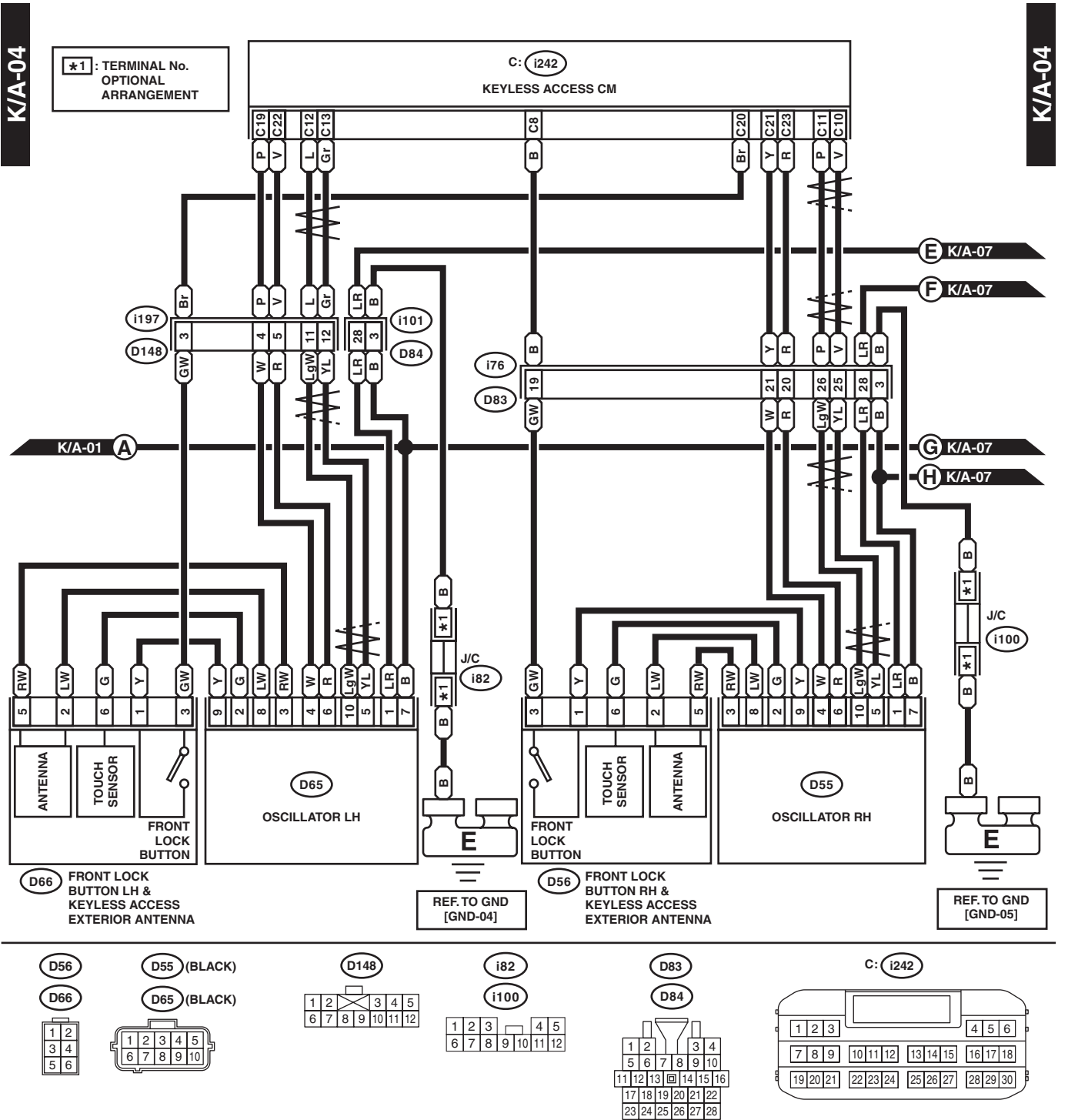
WIRING SYSTEM



WI-36290

Keyless Access System

WIRING SYSTEM



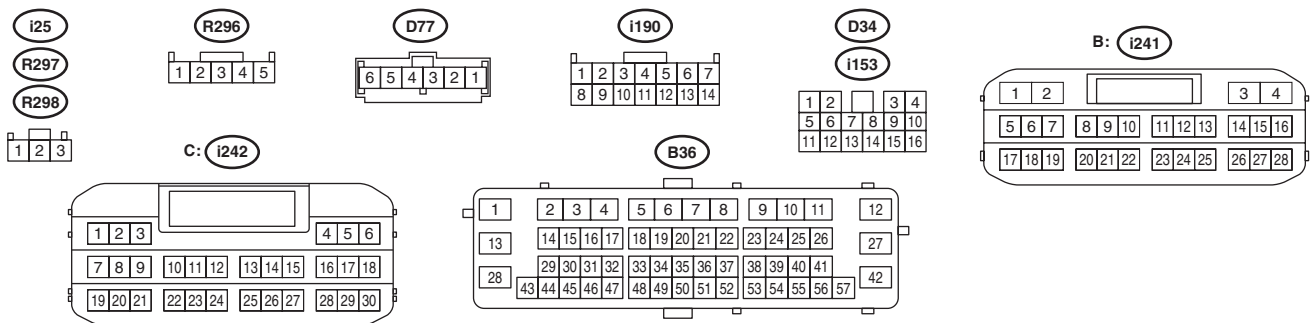
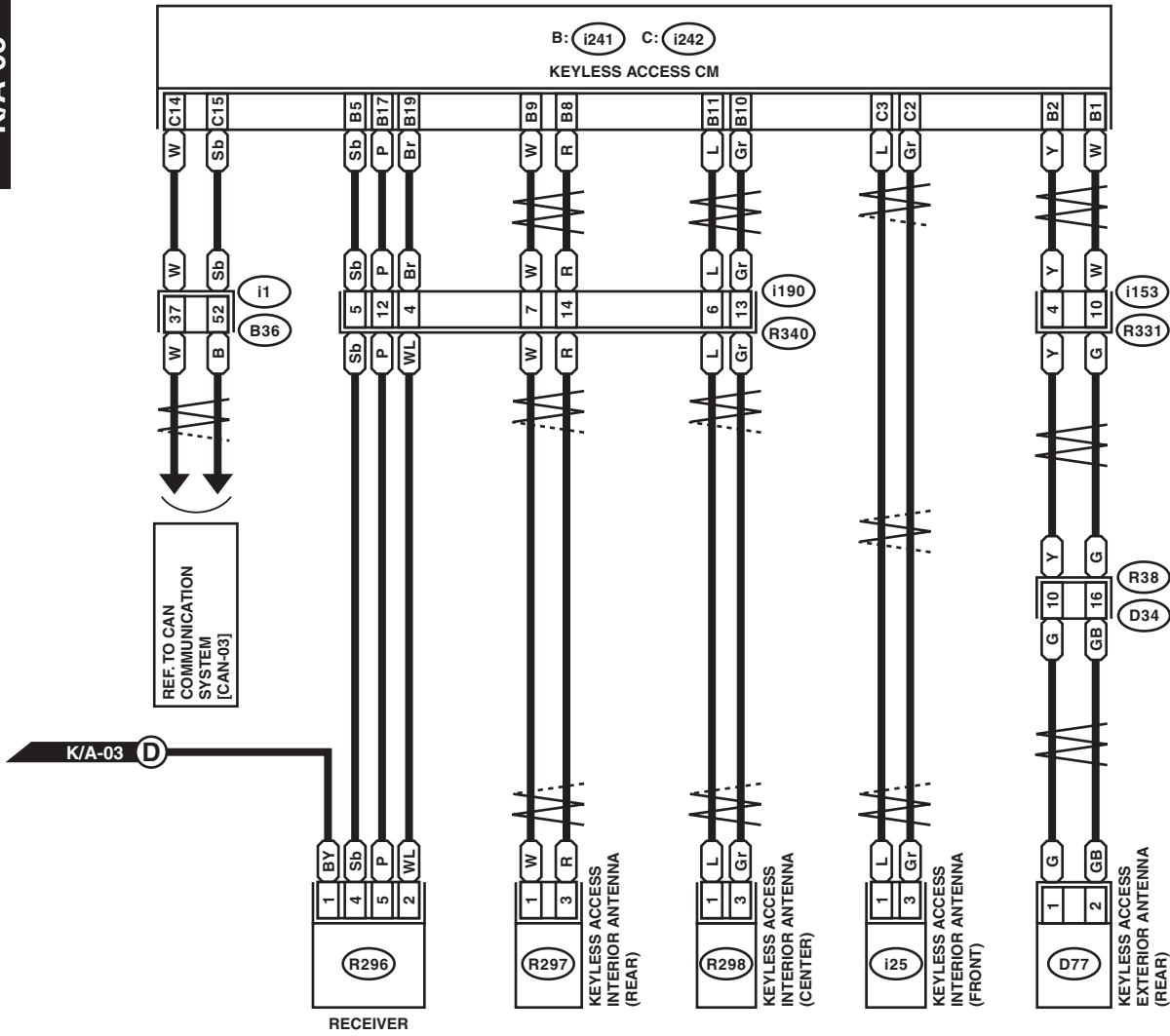
WI-36291

Keyless Access System

WIRING SYSTEM

K/A-05

K/A-05



WI-36292

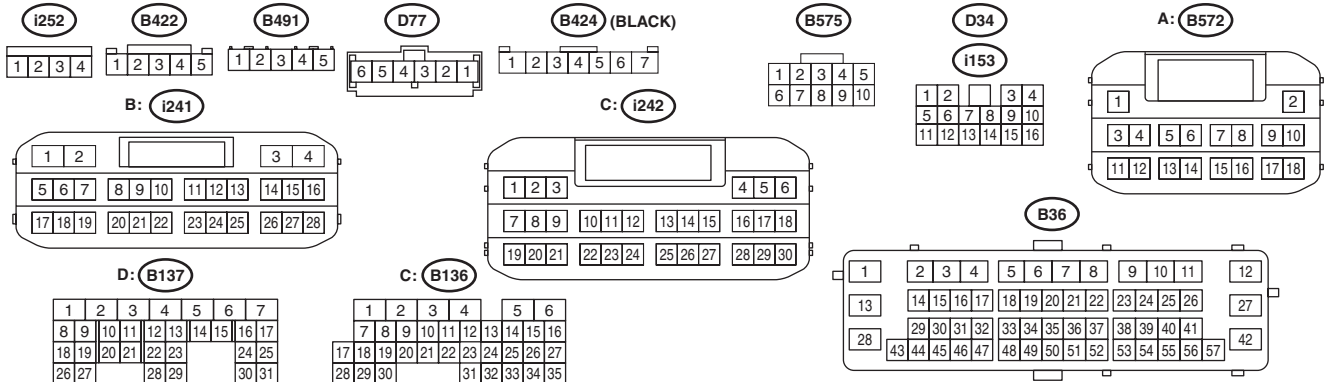
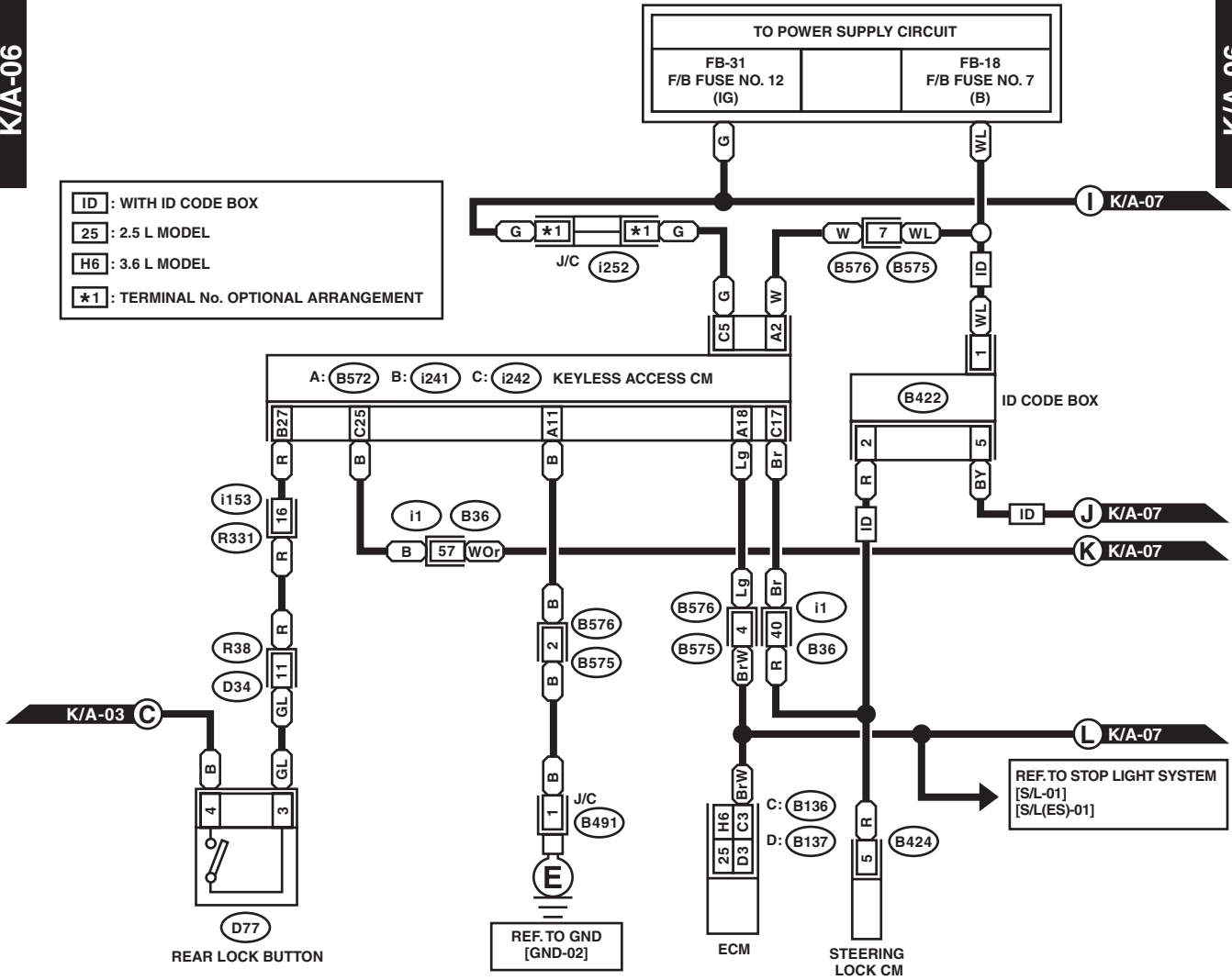
Keyless Access System

WIRING SYSTEM

K/A-06

K/A-06

ID : WITH ID CODE BOX
 25 : 2.5 L MODEL
 H6 : 3.6 L MODEL
 *1 : TERMINAL No. OPTIONAL ARRANGEMENT



WI-36293

